



US00D703120S

(12) **United States Design Patent**
Nordmann

(10) **Patent No.:** **US D703,120 S**

(45) **Date of Patent:** **** Apr. 22, 2014**

(54) **SIDE MIRROR FOR A VEHICLE**
(71) Applicant: **Bayerische Motoren Werke**
Aktiengesellschaft, Munich (DE)
(72) Inventor: **Christoph Nordmann, Munich (DE)**
(73) Assignee: **Bayerische Motoren Werke**
Aktiengesellschaft, Munich (DE)
(**) Term: **14 Years**

(21) Appl. No.: **29/462,849**
(22) Filed: **Aug. 9, 2013**

(30) **Foreign Application Priority Data**
Feb. 11, 2013 (DE) 40 2013 100 121
(51) **LOC (10) Cl.** **12-16**
(52) **U.S. Cl.**
USPC **D12/187**
(58) **Field of Classification Search**
USPC D12/187-189, 96; D6/300, 309;
359/838, 841, 843, 844, 868, 871, 872,
359/604, 881, 514, 866; 248/479-483,
248/475.1
See application file for complete search history.

(56) **References Cited**
U.S. PATENT DOCUMENTS
D586,713 S 2/2009 Habib
D612,310 S * 3/2010 Guntrum D12/187
D620,408 S * 7/2010 Elliott et al. D12/187

D621,312 S * 8/2010 Borkert D12/187
D621,313 S * 8/2010 Kimura et al. D12/187
D661,634 S 6/2012 Huet
D691,076 S * 10/2013 Vincent D12/187
D691,934 S * 10/2013 Zhao D12/187

FOREIGN PATENT DOCUMENTS

EM 001023907-0002 12/2008
EM 000934468-0002 10/2009
EM 001866732-0002 3/2012

* cited by examiner

Primary Examiner — Katrina A Betton

(74) *Attorney, Agent, or Firm* — Crowell & Moring LLP

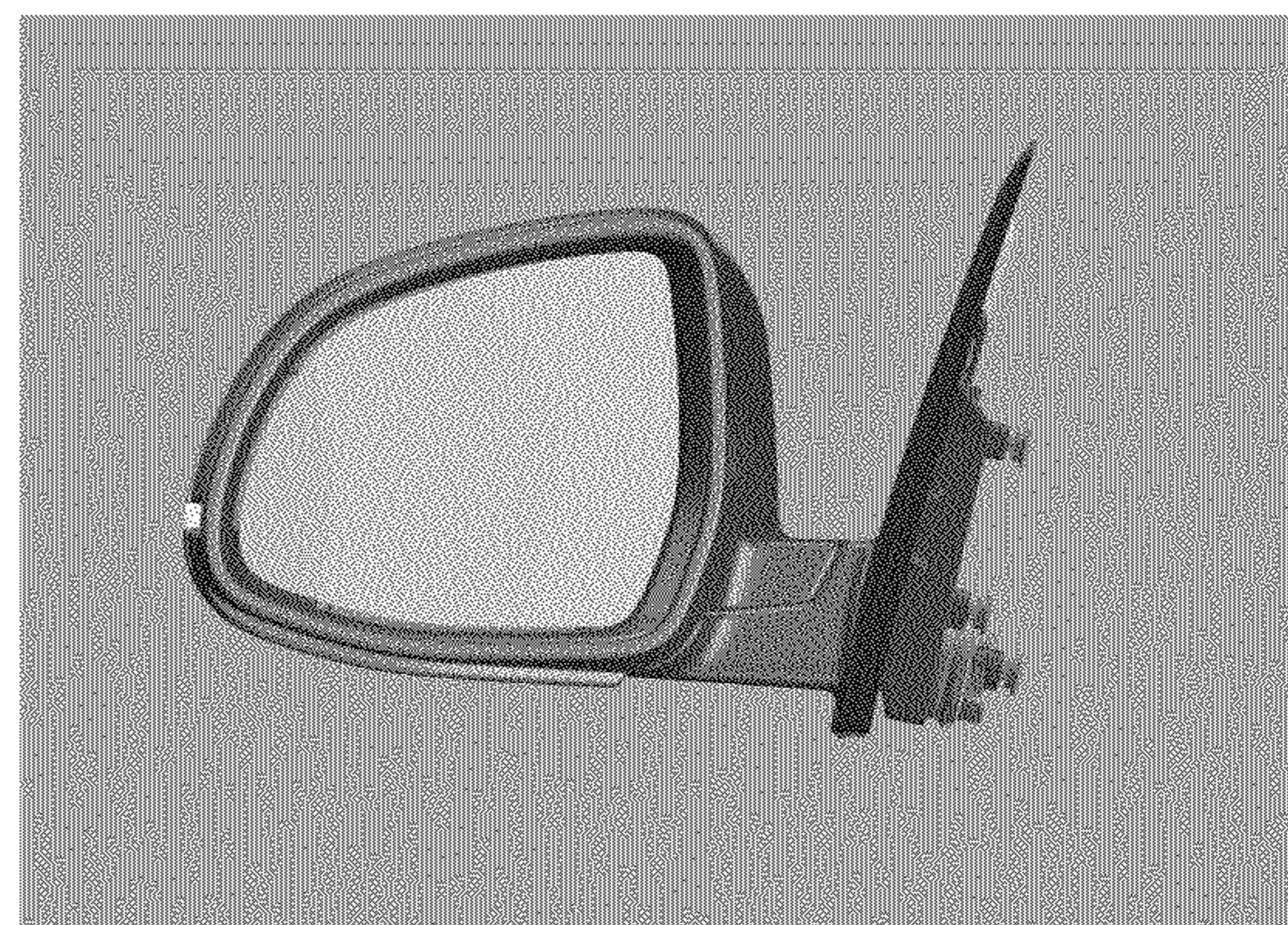
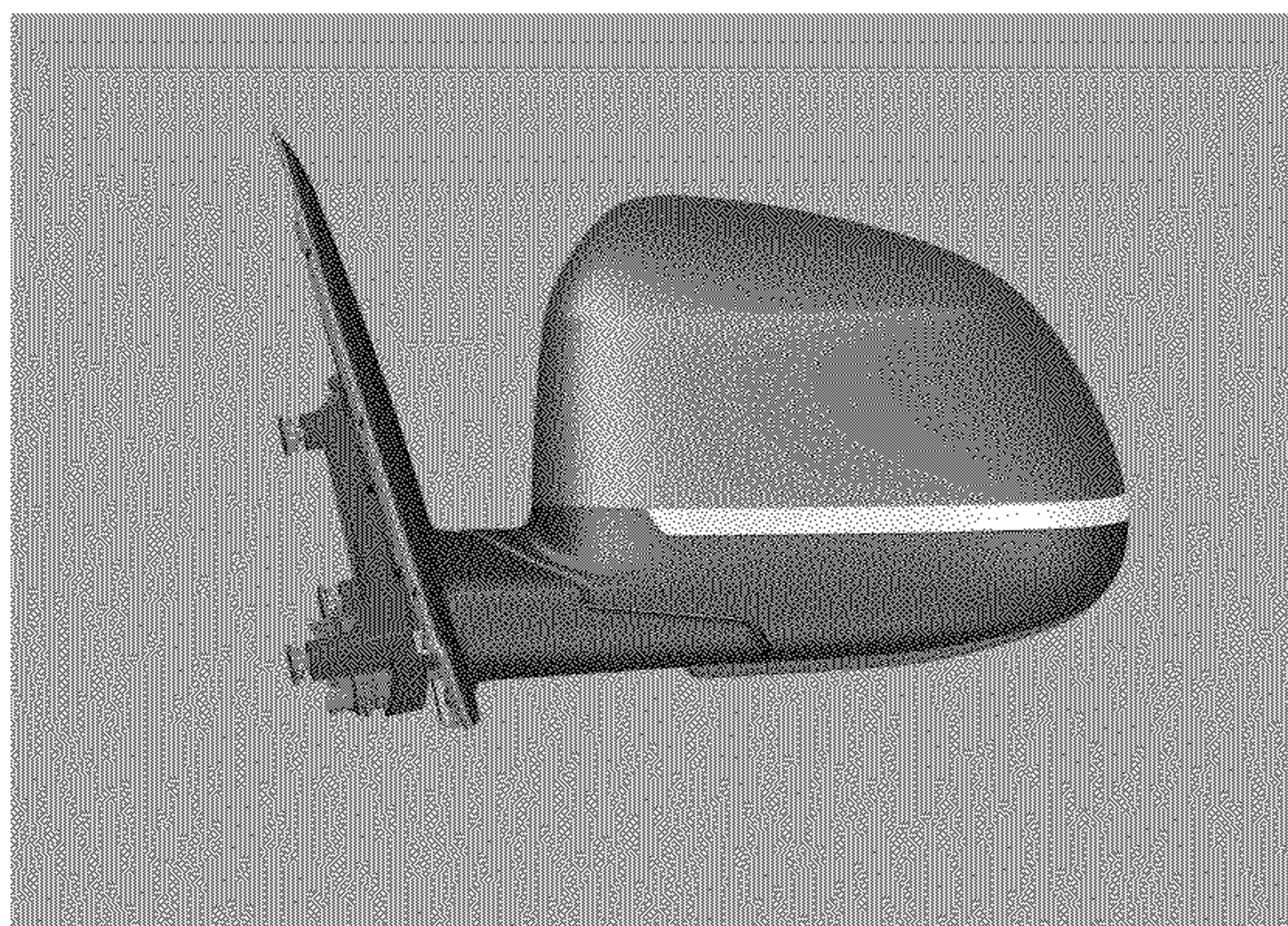
(57) **CLAIM**

The ornamental design for a side mirror for a vehicle, as shown and described.

DESCRIPTION

This application contains subject matter related to the following co-pending U.S. design patent application: Application Ser. No. 29/462,848, filed herewith and entitled "Vehicle, Toy, and/or Replicas Thereof".
FIG. 1 is a front view of a side mirror for a vehicle according to the design;
FIG. 2 is a rear perspective view thereof;
FIG. 3 is a front perspective view thereof;
FIG. 4 is a right side view thereof;
FIG. 5 is a left side view thereof;
FIG. 6 is a top view thereof;
FIG. 7 is a bottom view thereof; and,
FIG. 8 is a rear view thereof.

1 Claim, 8 Drawing Sheets



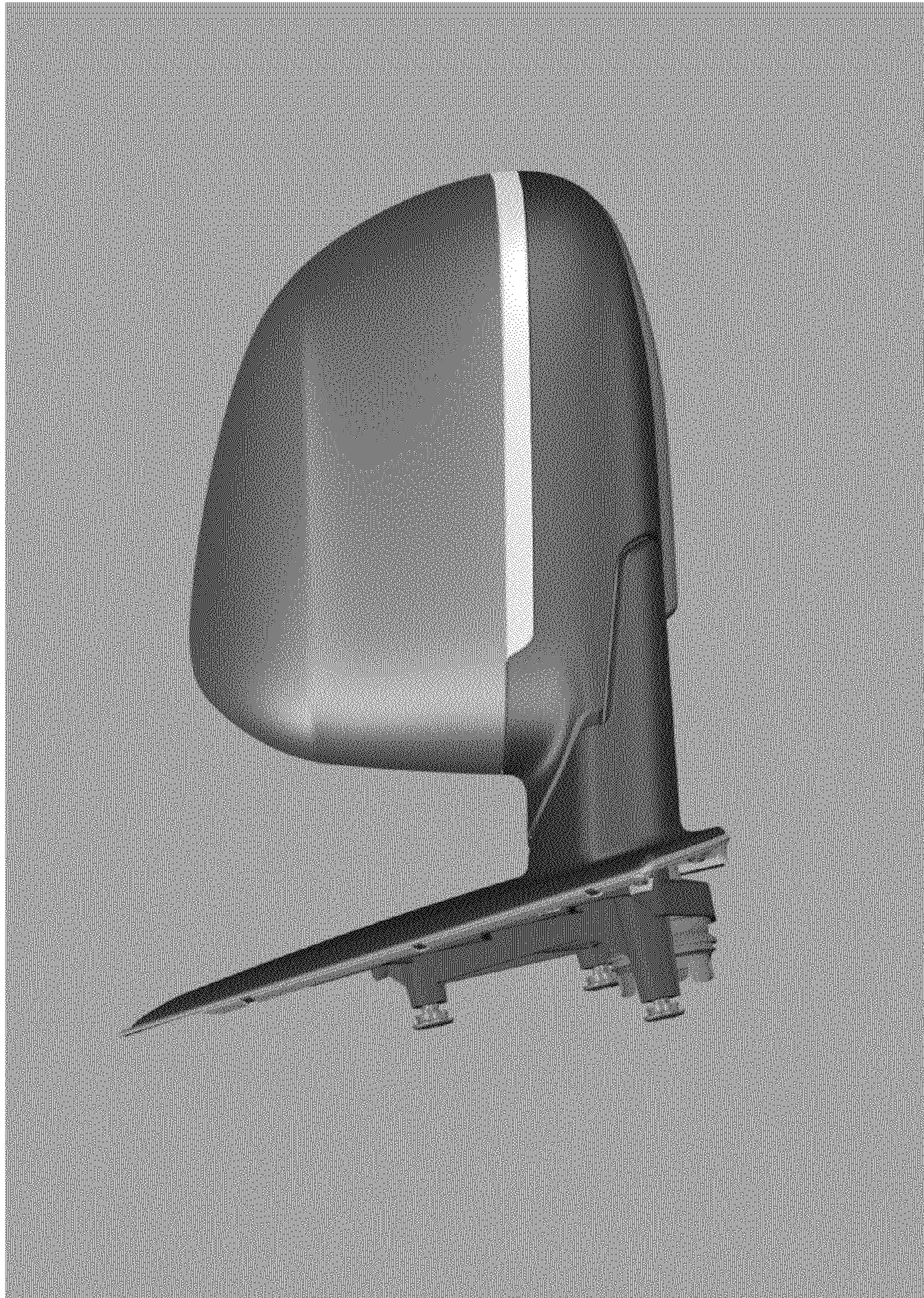


Fig. 1

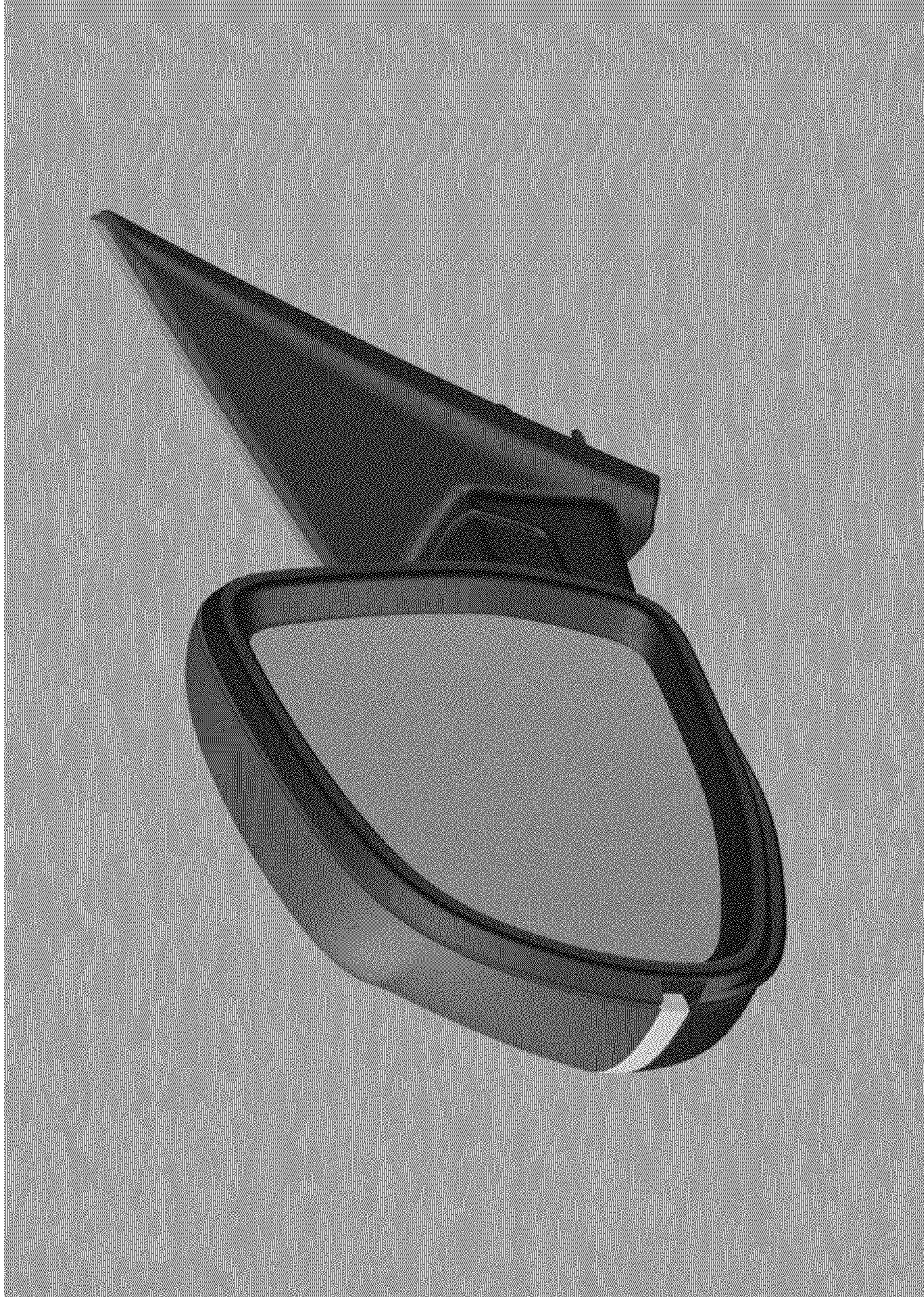


Fig. 2

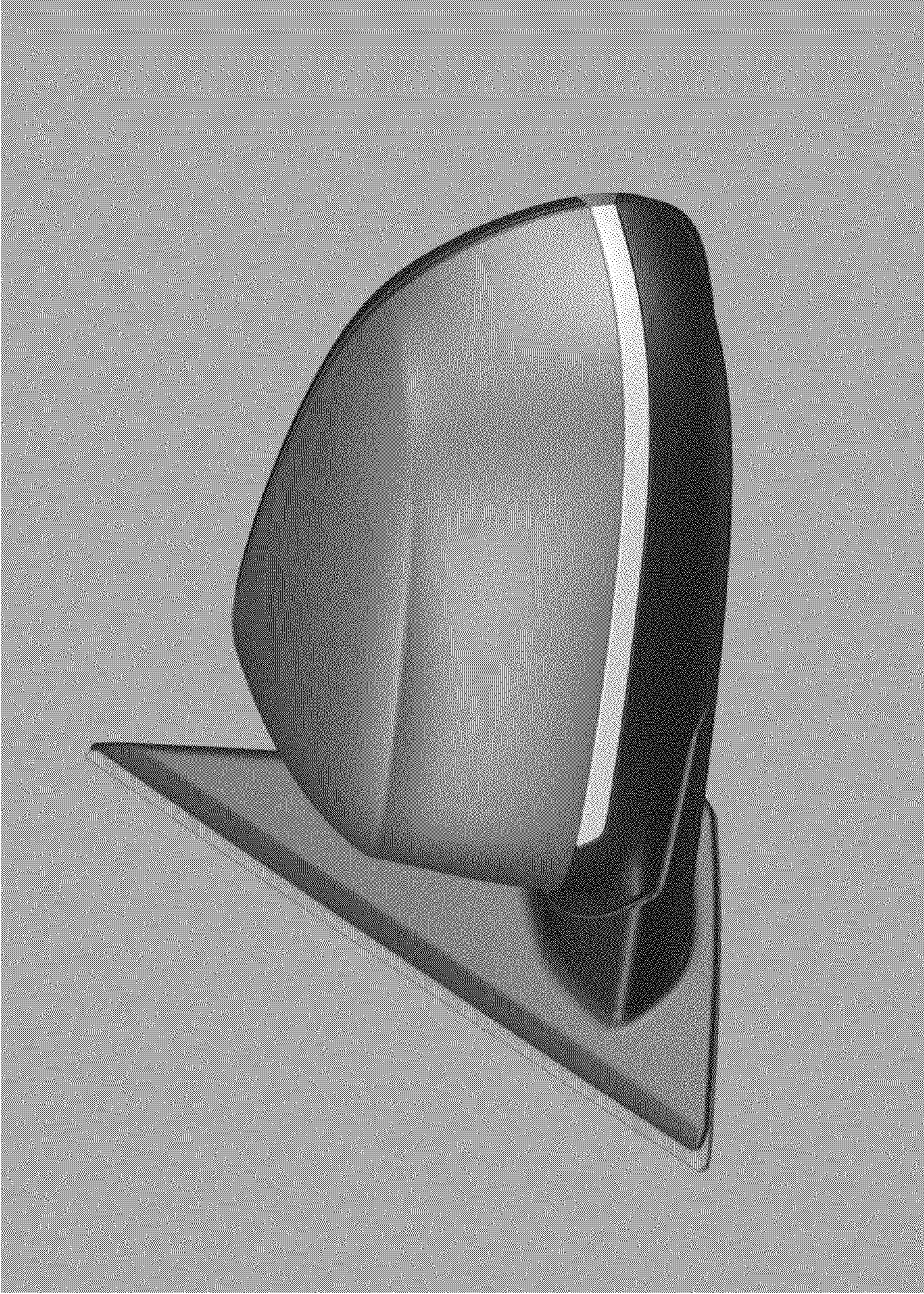


Fig. 3

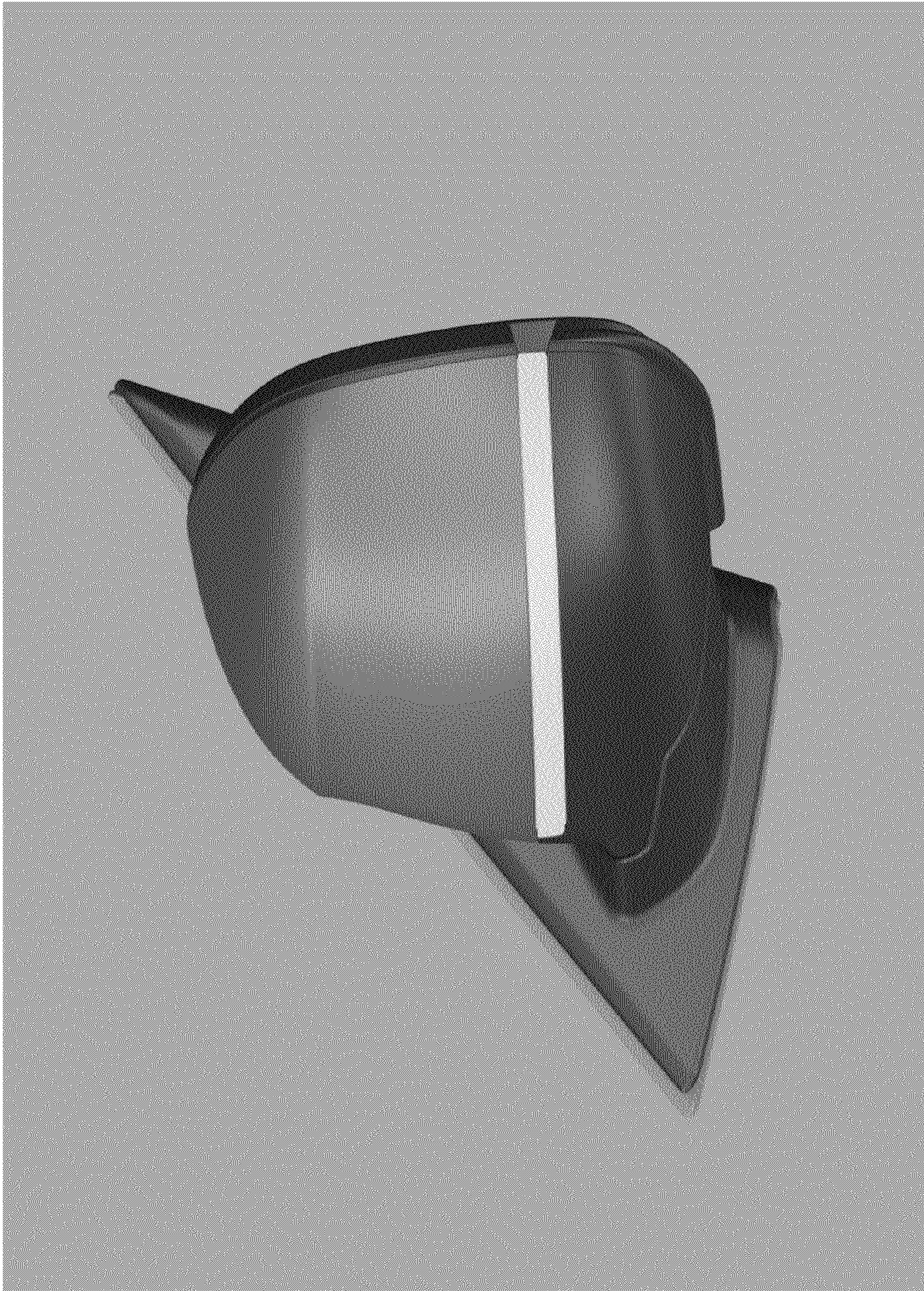


Fig. 4

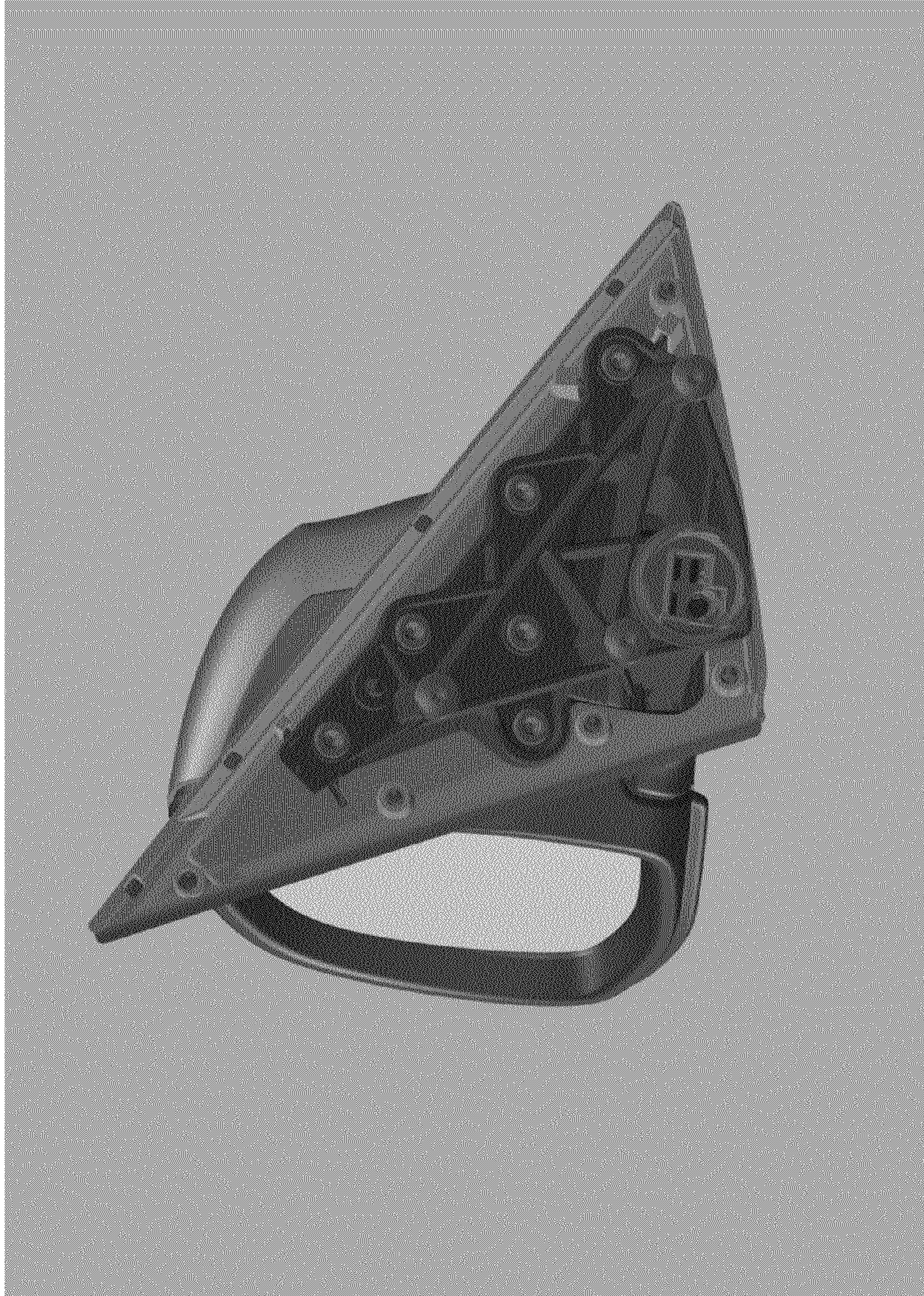


Fig. 5

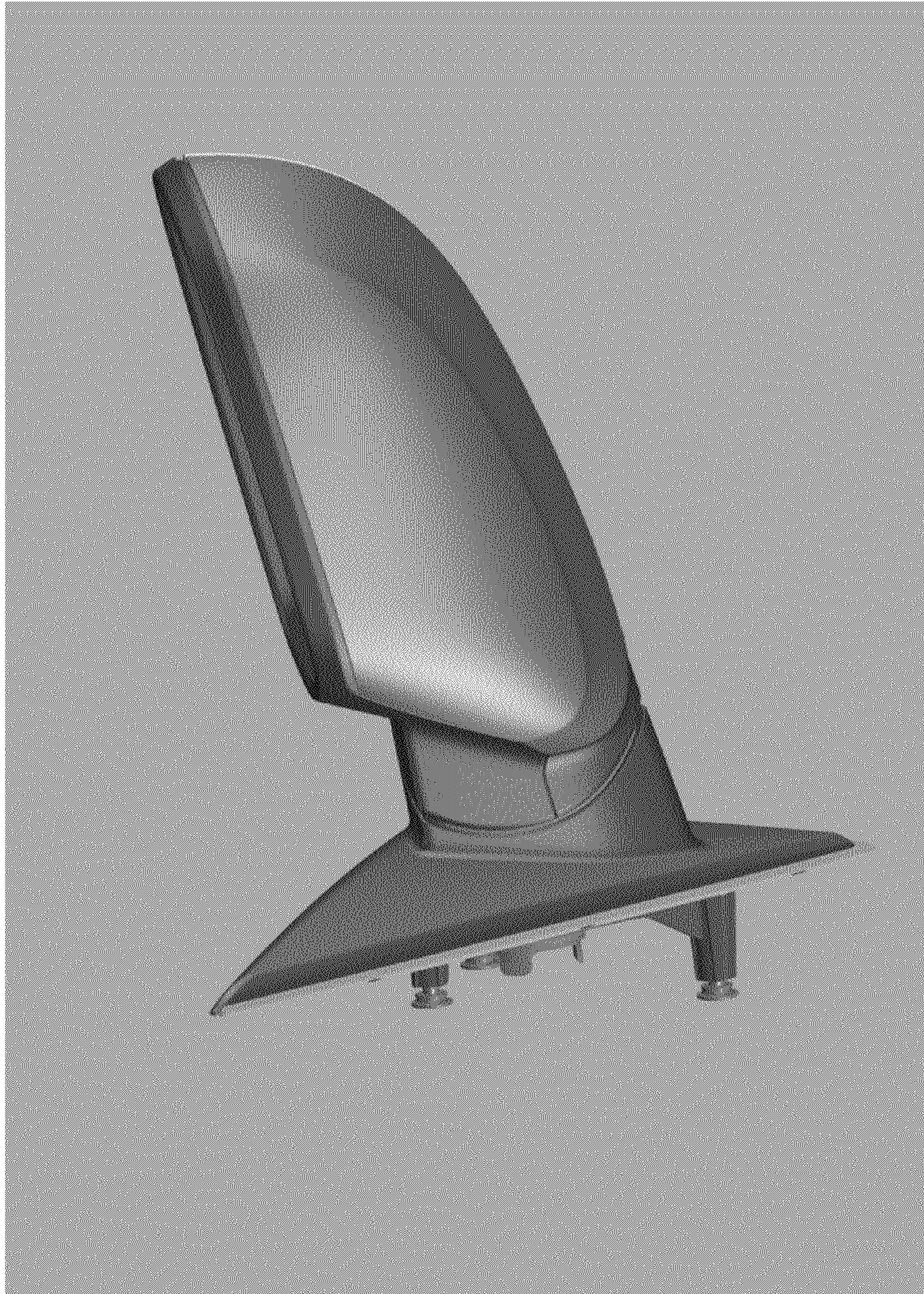


Fig. 6

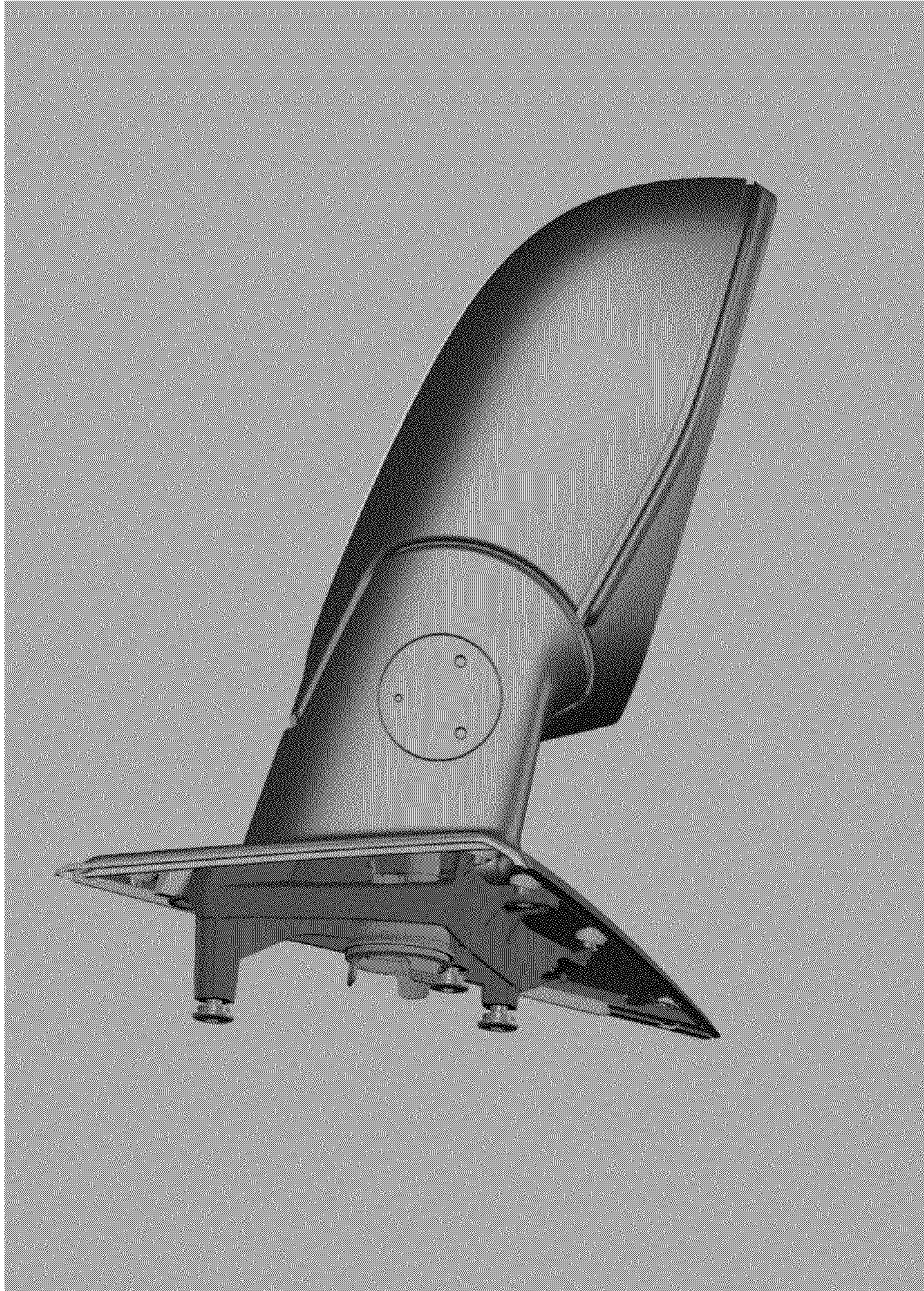


Fig. 7

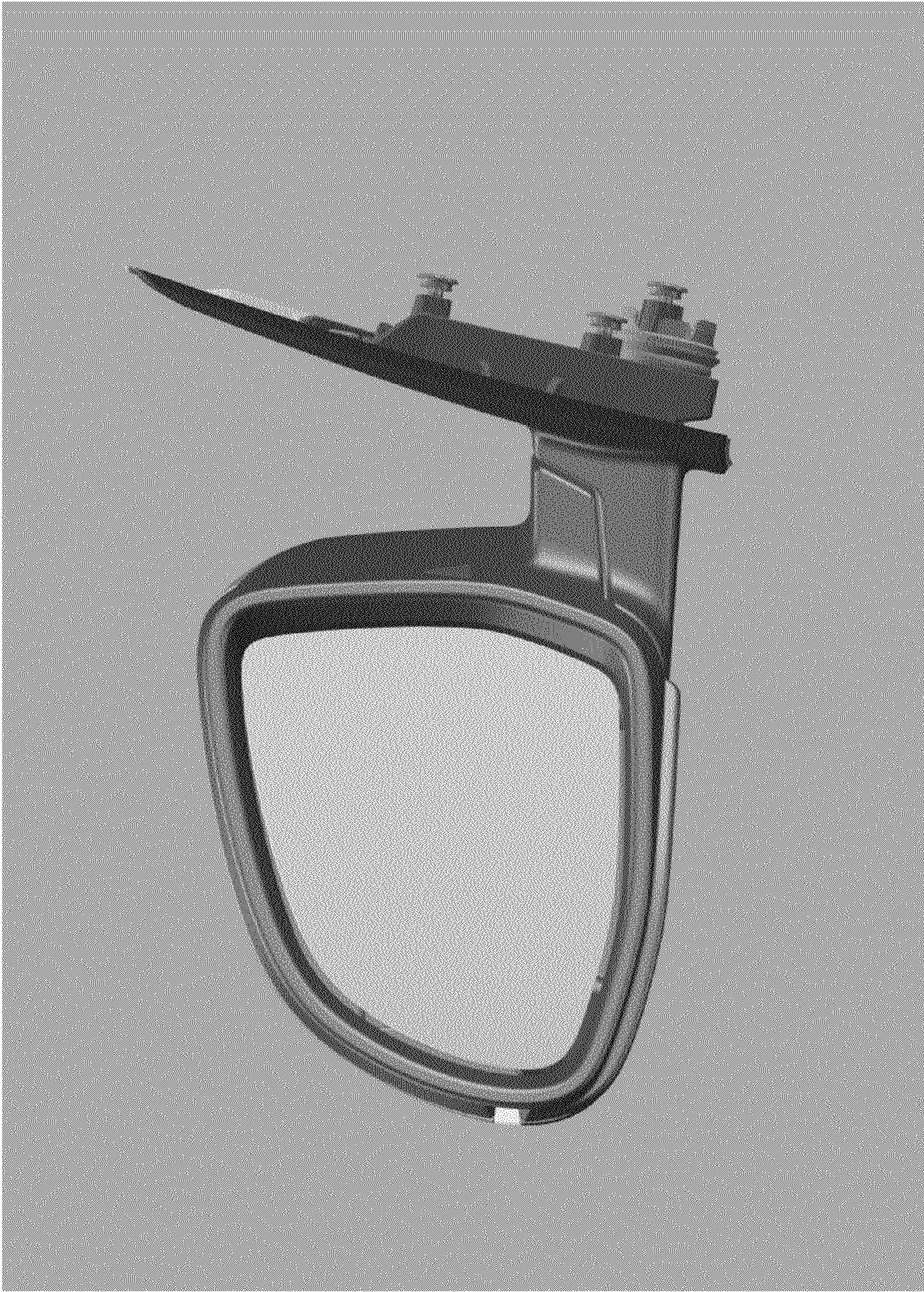


Fig. 8