



US00D703119S

(12) **United States Design Patent**
Platto et al.

(10) **Patent No.:** **US D703,119 S**
(45) **Date of Patent:** **** Apr. 22, 2014**

(54) **VEHICLE HOOD**

D645,801 S * 9/2011 Beigel et al. D12/173
8,016,347 B2 * 9/2011 Uchino 296/193.11
D666,540 S * 9/2012 Karras et al. D12/173

(71) Applicant: **Ford Motor Company**, Dearborn, MI
(US)

(72) Inventors: **Gordon M Platto**, Troy, MI (US); **Brad Alan Richards**, Bloomfield Hills, MI (US); **Dong Park**, Royal Oak, MI (US); **Jonathan Fontaine**, Royal Oak, MI (US)

(73) Assignee: **Ford Motor Company**, Dearborn, MI (US)

(**) Term: **14 Years**

(21) Appl. No.: **29/440,523**

(22) Filed: **Dec. 21, 2012**

(51) **LOC (10) Cl.** **12-08**

(52) **U.S. Cl.**
USPC **D12/173**

(58) **Field of Classification Search**
USPC D12/86, 90, 91, 92, 173, 196; 180/69.2,
180/69.21, 69.22

See application file for complete search history.

(56) **References Cited**

U.S. PATENT DOCUMENTS

D512,004 S *	11/2005	Hutchins	D12/173
D560,576 S *	1/2008	Tant et al.	D12/173
D563,292 S *	3/2008	Platto et al.	D12/173
D572,640 S *	7/2008	Zimmermann et al.	D12/173
D597,002 S *	7/2009	Jamieson et al.	D12/173
D600,608 S *	9/2009	Golden et al.	D12/173
D609,615 S *	2/2010	Kruger et al.	D12/173
D612,779 S *	3/2010	Elliott et al.	D12/173
D645,384 S *	9/2011	Verhee et al.	D12/173

OTHER PUBLICATIONS

Ron Sessions. Ford Atlas Concept. Jan. 15, 2013 [online], [retrieved on Aug. 15, 2013]. Retrieved from the Internet <URL: <http://www.caranddriver.com/news/ford-atlas-concept-photos-and-info-news>>.*

Ford Atlas Concept. Ford Press Kit. Jan. 14, 2013 [online], [retrieved on Aug. 15, 2013]. Retrieved from the Internet <URL: <http://fordatlasconcept.fordpresskits.com/enhanced.htm>>.*

Siler, Steve, <http://www.caranddriver.com/news/2011-ford-f-series-super-duty-official-photos-and-info>, 2011 Ford F-Series Super Duty, Sep. 2009, pp. 1-3.

* cited by examiner

Primary Examiner — Philip S Hyder

Assistant Examiner — Darlington Ly

(74) *Attorney, Agent, or Firm* — Damian Porcari; Brooks Kushman P.C.

(57) **CLAIM**

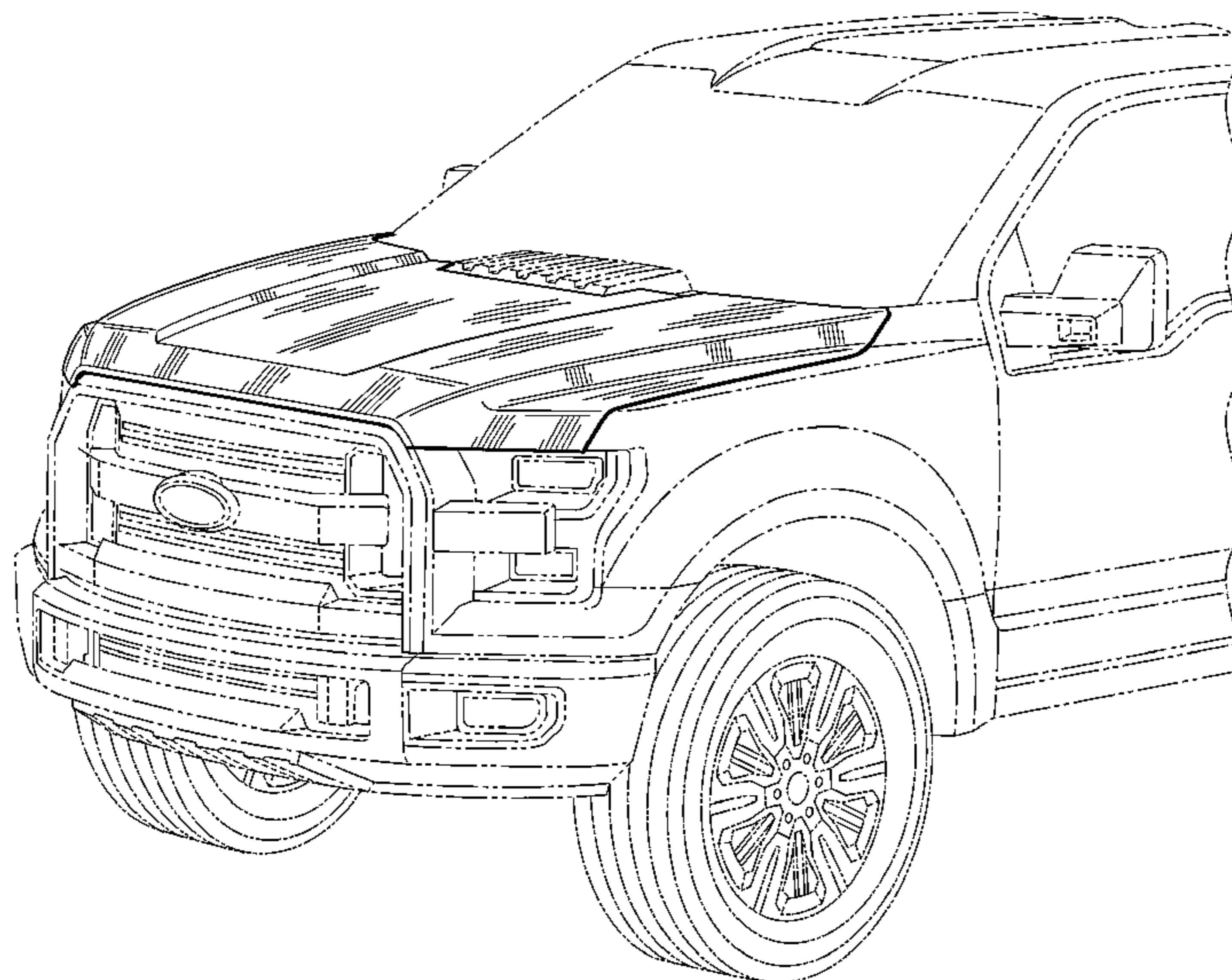
The ornamental design for a vehicle hood, as shown and described.

DESCRIPTION

FIG. 1 is a front perspective view of a vehicle hood in accordance with an embodiment of the present invention; FIG. 2 is a front/left side perspective view of the vehicle hood of FIG. 1, wherein a front/right side perspective view is a mirror image thereof; and, FIG. 3 is a left side perspective view of the vehicle hood of FIG. 1, wherein a right side perspective view is a mirror image thereof.

The broken lines form no part of the claimed design.

1 Claim, 3 Drawing Sheets



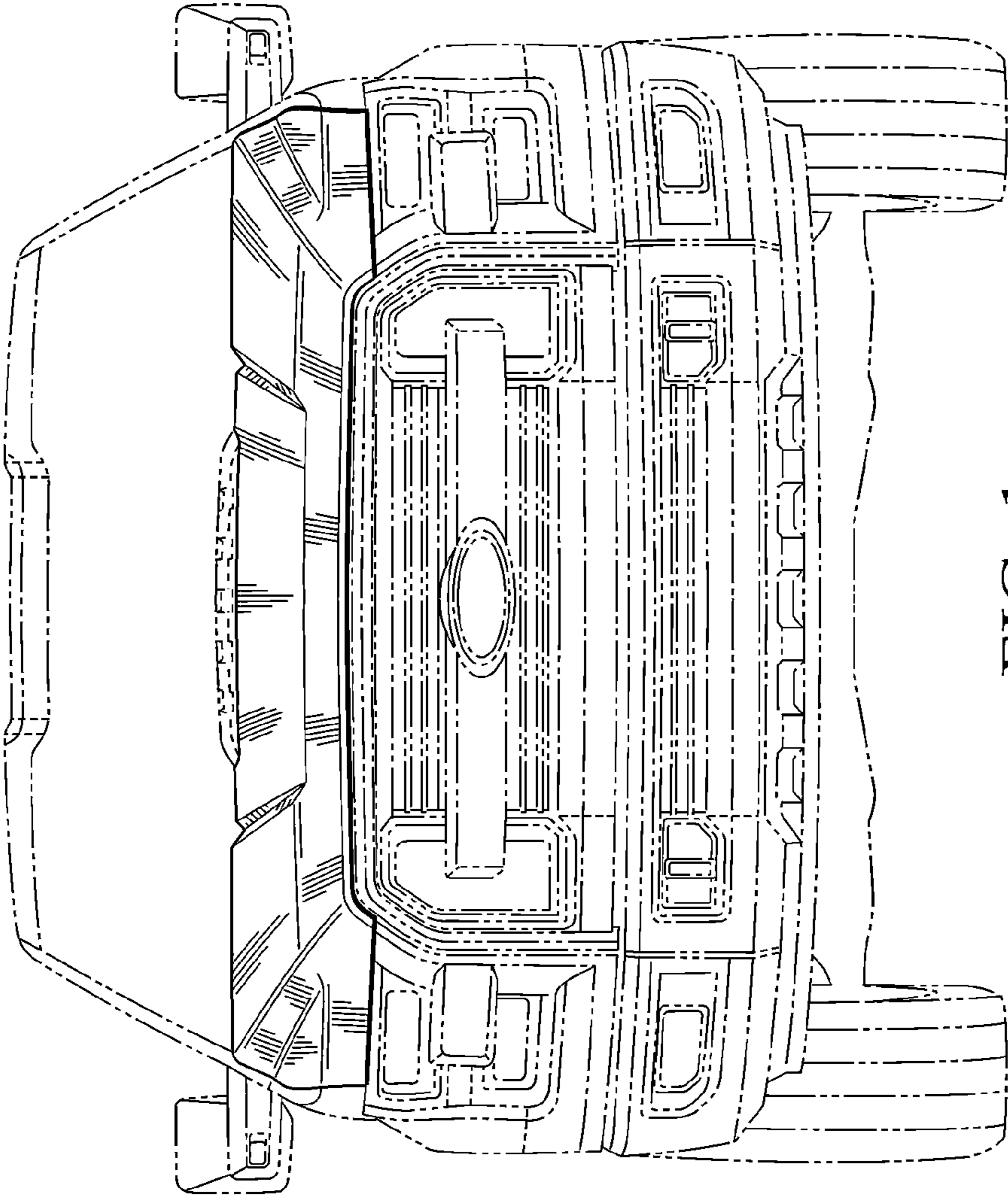


FIG. 1

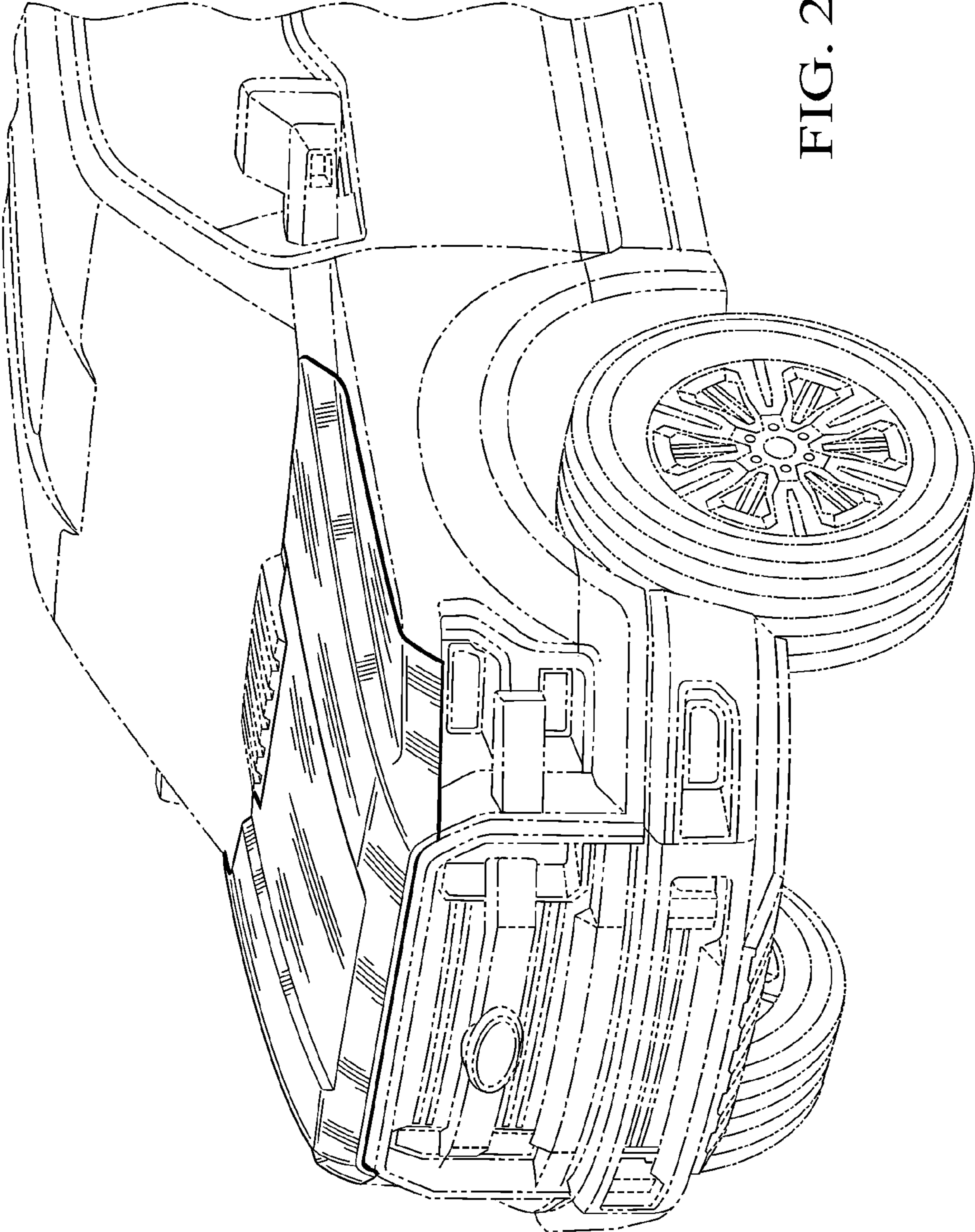


FIG. 2

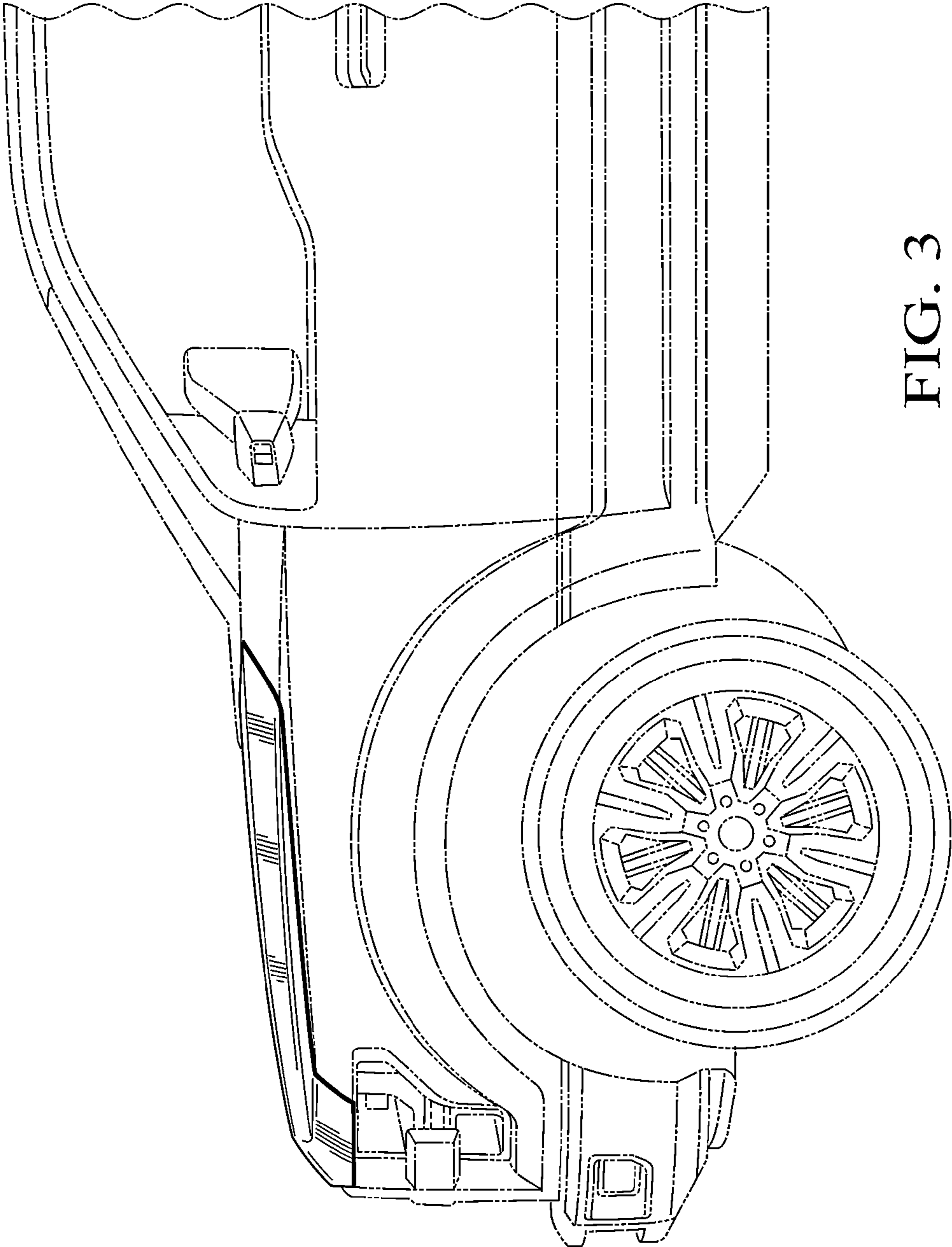


FIG. 3