



US00D703112S

(12) **United States Design Patent**
Futschik et al.

(10) **Patent No.:** **US D703,112 S**
(45) **Date of Patent:** **** Apr. 22, 2014**

(54) **FRONT PORTION OF A VEHICLE, TOY,
AND/OR REPLICAS THEREOF**

(75) Inventors: **Hans-Dieter Futschik**, Stuttgart (DE);
Robert Lesnik, Stuttgart (DE); **Gorden
Wagener**, Stuttgart (DE)

(73) Assignee: **Daimler AG**, Stuttgart (DE)

(**) Term: **14 Years**

(21) Appl. No.: **29/419,075**

(22) Filed: **Apr. 25, 2012**

(30) **Foreign Application Priority Data**

Oct. 26, 2011 (DE) 40211005283

(51) **LOC (10) Cl.** **12-16**

(52) **U.S. Cl.**
USPC **D12/164**

(58) **Field of Classification Search**
USPC D12/86, 90-92, 164; D21/424, 433,
D21/434; 296/181.1, 181.5
See application file for complete search history.

(56) **References Cited**

U.S. PATENT DOCUMENTS

D514,027 S	1/2006	Pfeiffer et al.	
D601,924 S *	10/2009	Bauer et al.	D12/91
D634,678 S *	3/2011	Futschik et al.	D12/164
D635,898 S *	4/2011	Baur et al.	D12/164
D679,222 S *	4/2013	Frei et al.	D12/92
D680,031 S *	4/2013	Fetherston et al.	D12/92
D680,035 S *	4/2013	Fetherston et al.	D12/164

* cited by examiner

Primary Examiner — Melody Brown

(74) *Attorney, Agent, or Firm* — Crowell & Moring LLP

(57) **CLAIM**

The ornamental design for a front portion of a vehicle, toy,
and/or replicas thereof, as shown and described.

DESCRIPTION

This application contains subject matter related to the follow-
ing co-pending U.S. design patent applications:

Application Ser. No. 29/419,073, filed herewith and entitled
“Vehicle, Toy, and/or Replicas Thereof”;

Application Ser. No. 29/419,074, filed herewith and entitled
“Front Portion of a Vehicle, Toy, and/or Replicas Thereof”;

Application Ser. No. 29/419,079, filed herewith and entitled
“Headlight for a Vehicle”;

Application Ser. No. 29/419,080, filed herewith and entitled
“Headlight for a Vehicle”;

Application Ser. No. 29/419,081, filed herewith and entitled
“Headlight for a Vehicle”;

Application Ser. No. 29/419,084, filed herewith and entitled
“Front Bumper for a Vehicle”;

Application Ser. No. 29/419,086, filed herewith and entitled
“Front Fender for a Vehicle”;

Application Ser. No. 29/419,087, filed herewith and entitled
“Radiator Grill for a Vehicle”;

Application Ser. No. 29/419,088, filed herewith and entitled
“Radiator Grill for a Vehicle”; and

Application Ser. No. 29/419,089, filed herewith and entitled
“Hood for a Vehicle”.

FIG. 1 is a left, front perspective view of a front portion of a
vehicle, toy, and/or replicas thereof according to our design,
the right, front perspective view being mirror symmetrical;

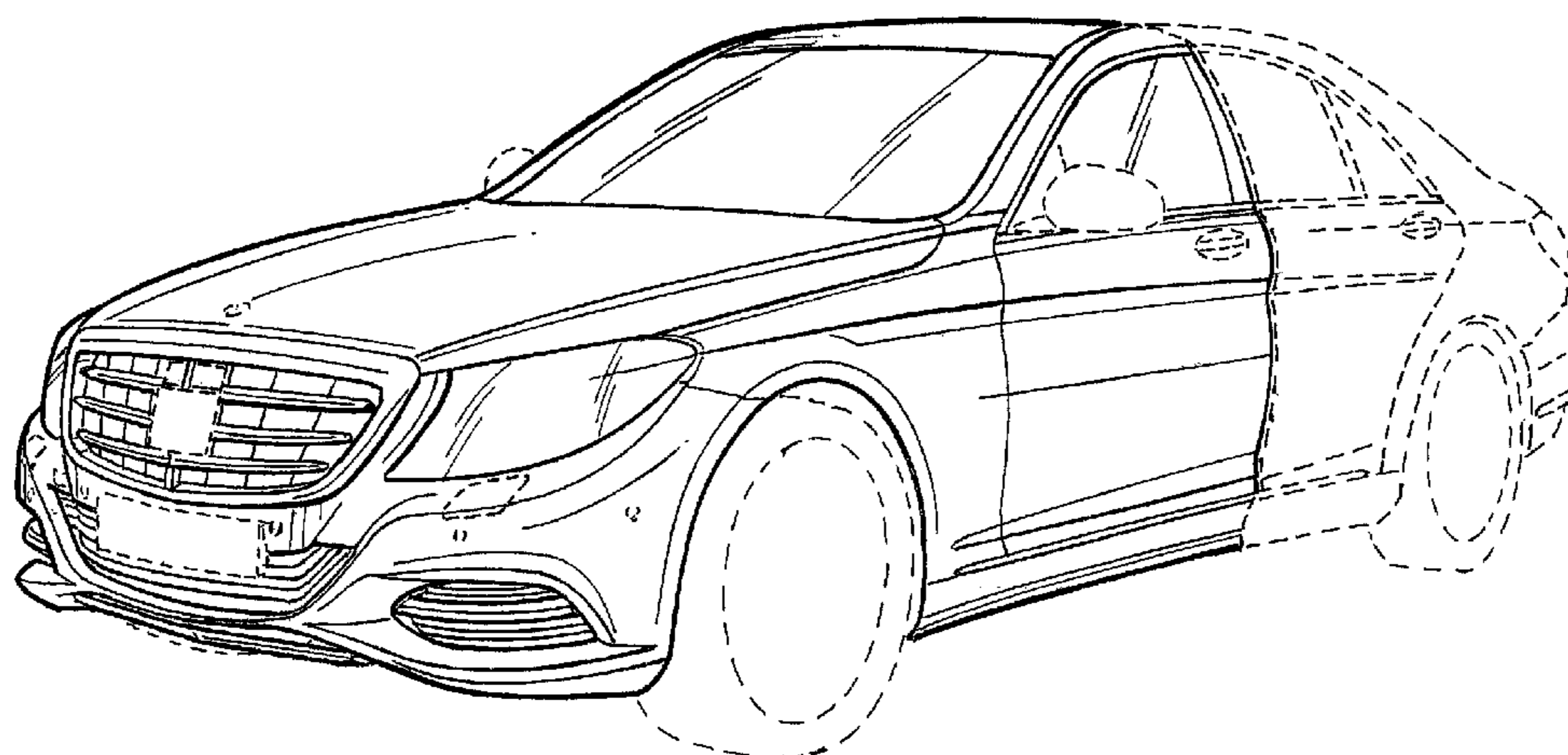
FIG. 2 is a front view thereof;

FIG. 3 is a left side view thereof, the right side view being
mirror symmetrical; and,

FIG. 4 is a top view thereof.

The broken lines are for illustrative purposes only and form
no part of the claimed design.

1 Claim, 3 Drawing Sheets



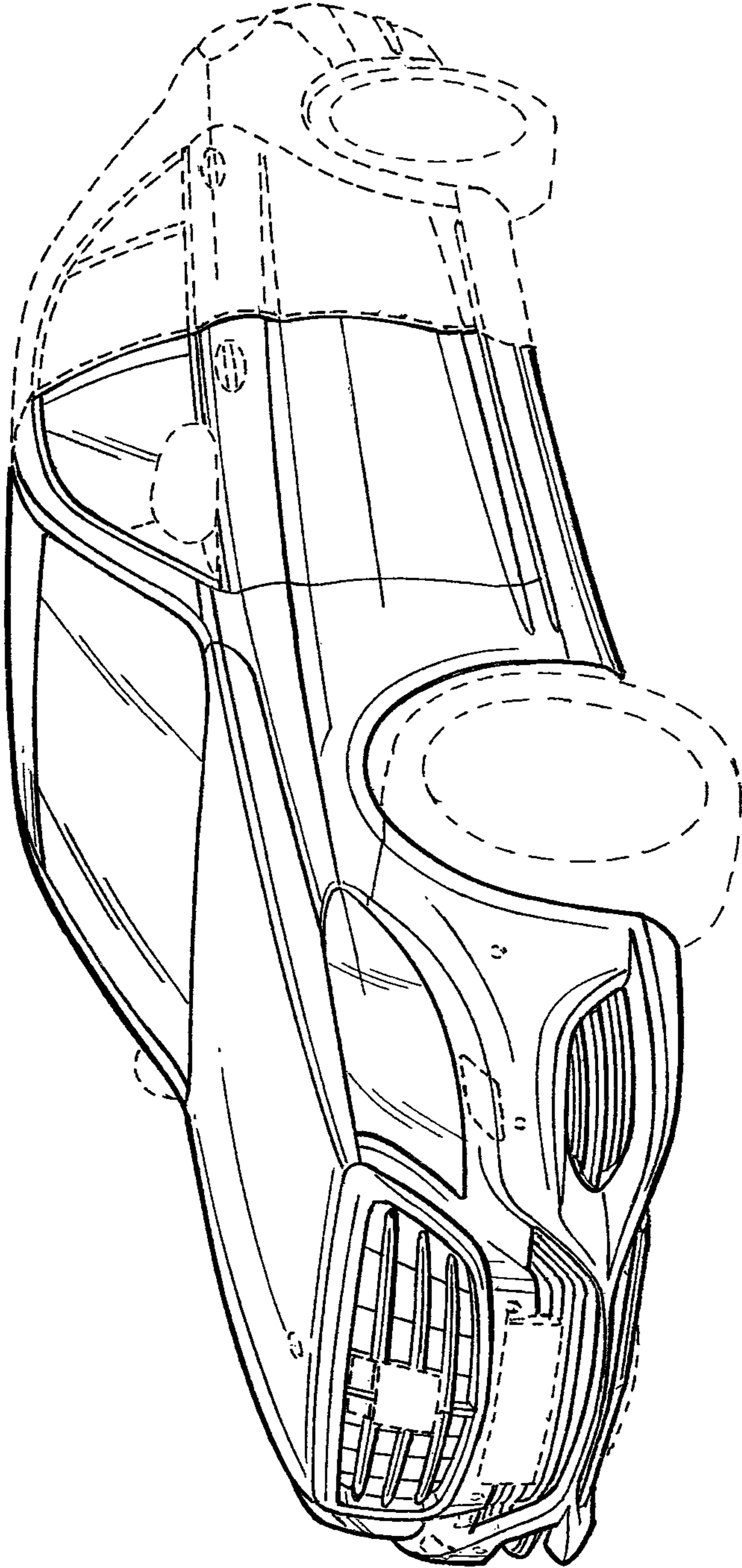


FIG. 1

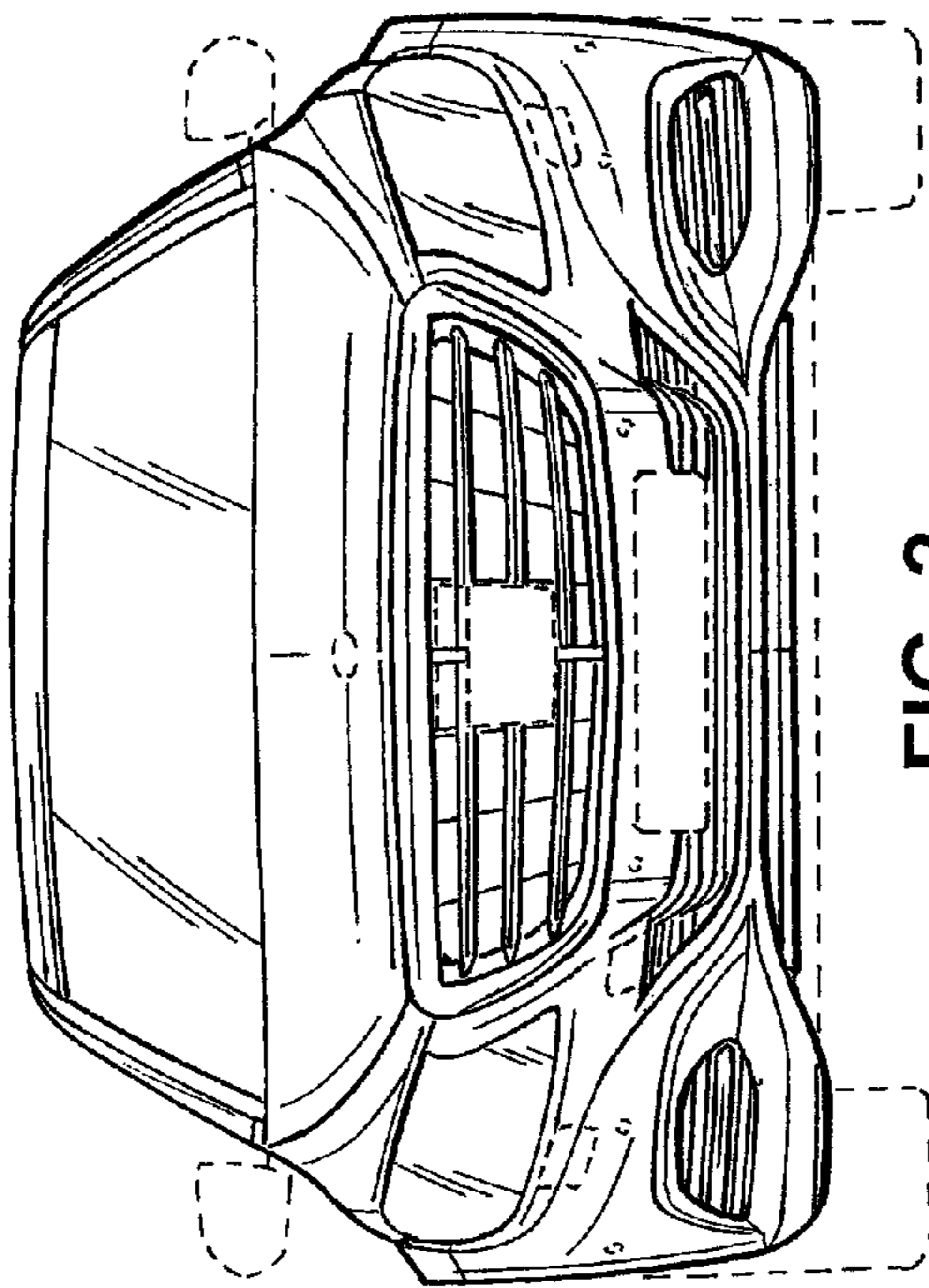


FIG. 2

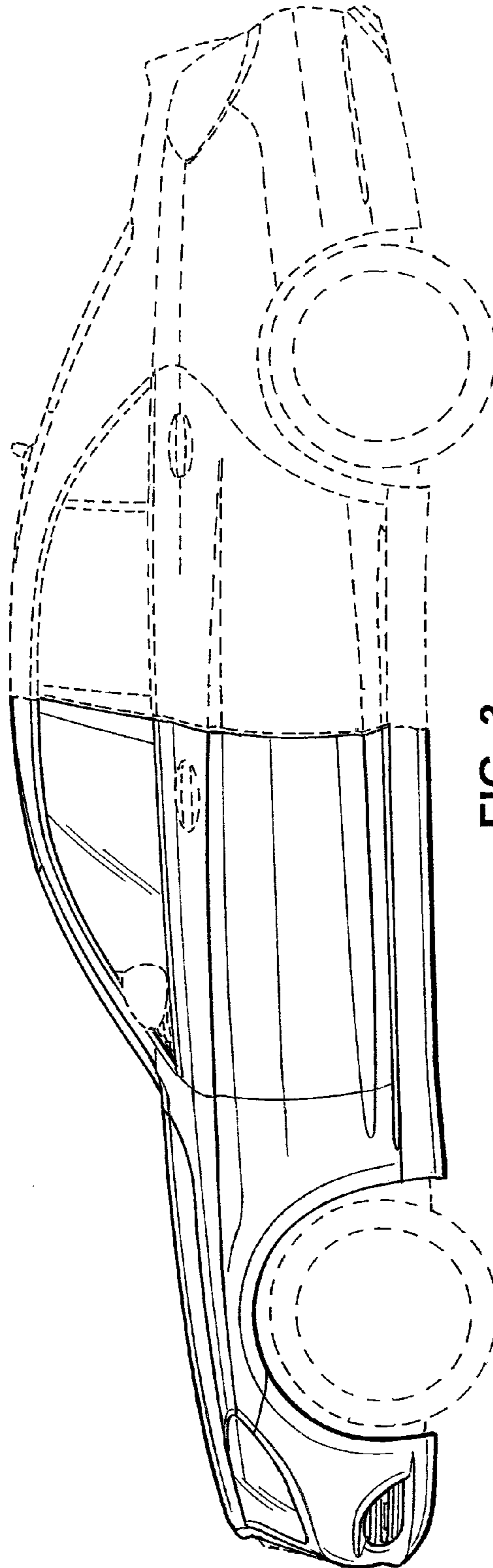


FIG. 3

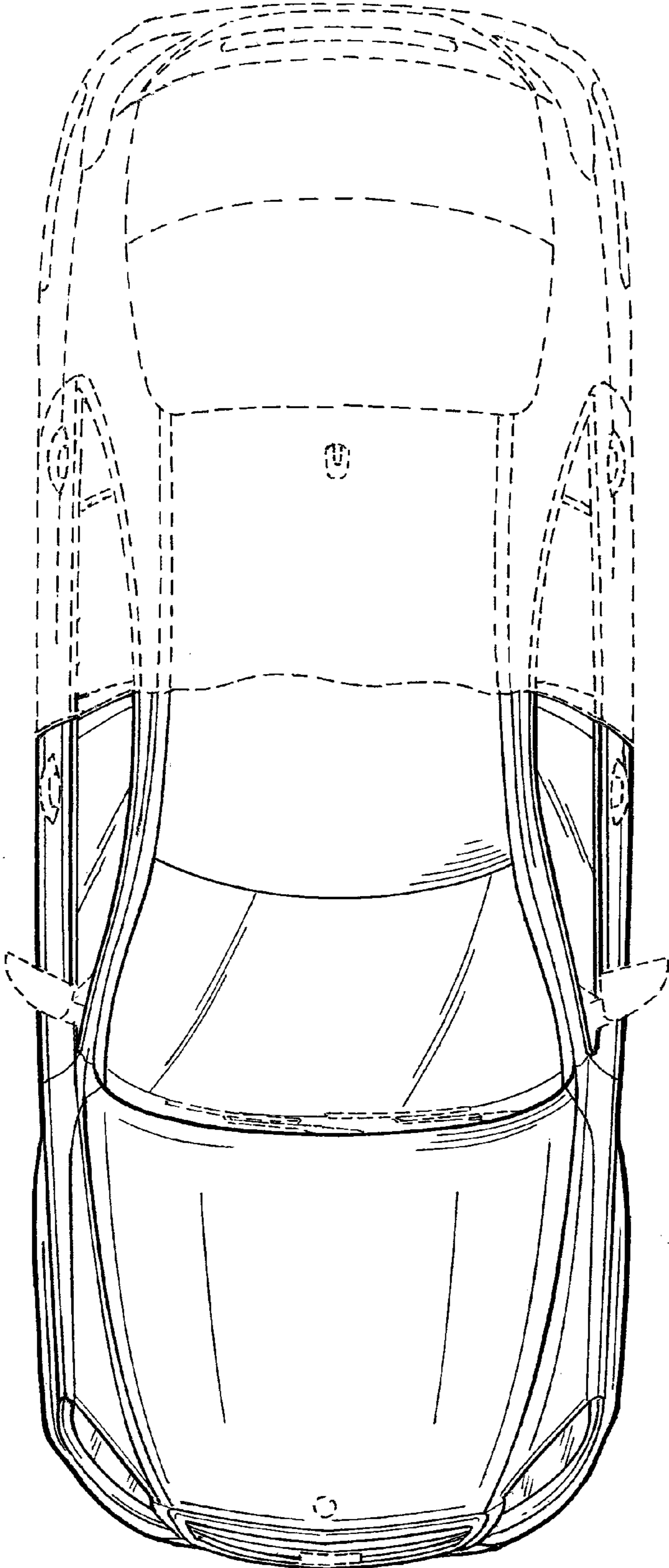


FIG. 4