



US00D703111S

(12) **United States Design Patent**
Platto et al.

(10) **Patent No.:** **US D703,111 S**
(45) **Date of Patent:** **** Apr. 22, 2014**

(54) **VEHICLE GRILLE**

(71) Applicant: **Ford Motor Company**, Dearborn, MI (US)

(72) Inventors: **Gordon M Platto**, Troy, MI (US); **Brad Alan Richards**, Bloomfield Hills, MI (US); **Dong Park**, Royal Oak, MI (US); **Jonathan Fontaine**, Royal Oak, MI (US)

(73) Assignee: **Ford Motor Company**, Dearborn, MI (US)

(**) Term: **14 Years**

(21) Appl. No.: **29/440,495**

(22) Filed: **Dec. 21, 2012**

(51) **LOC (10) Cl.** **12-16**

(52) **U.S. Cl.**
USPC **D12/163; D12/169**

(58) **Field of Classification Search**
USPC D12/86, 90, 91, 92, 163, 169, 196, 171, D12/216; 180/68.1, 68.6; 296/193.11
See application file for complete search history.

(56) **References Cited**

U.S. PATENT DOCUMENTS

D411,493 S *	6/1999	Davis, Jr.	D12/163
D535,589 S *	1/2007	Lau et al.	D12/163
D560,566 S *	1/2008	Aris et al.	D12/163
D572,179 S *	7/2008	Zimmermann et al.	D12/163
D580,310 S *	11/2008	Tant et al.	D12/163
D580,312 S *	11/2008	Opfer et al.	D12/163
D583,721 S *	12/2008	Choi et al.	D12/163
D587,174 S *	2/2009	Spearman-Oxx et al. ...	D12/163
D597,897 S *	8/2009	Wagner et al.	D12/163
D607,787 S *	1/2010	Golden et al.	D12/163

D609,141 S *	2/2010	Krugger et al.	D12/163
D636,305 S *	4/2011	Alvarez et al.	D12/171
2011/0005851 A1*	1/2011	Doroghazi et al.	180/68.1

OTHER PUBLICATIONS

Ron Sessions. Ford Atlas Concept. Jan. 15, 2013 [online], [retrieved on Aug. 15, 2013]. Retrieved from the Internet <URL: <http://www.caranddriver.com/news/ford-atlas-concept-photos-and-info-news>>.*

Ford Atlas Concept. Ford Press Kit. Jan. 14, 2013 [online], [retrieved on Aug. 15, 2013]. Retrieved from the Internet <URL: <http://fordatlasconcept.fordpresskits.com/enhanced.htm>>.*

Siler, Steve, <http://www.caranddriver.com/news/2011-ford-f-series-super-duty-official-photos-and-info>, 2011 Ford F-Series Super Duty, Sep. 2009, pp. 1-3.

* cited by examiner

Primary Examiner — Philip S Hyder

Assistant Examiner — Darlington Ly

(74) *Attorney, Agent, or Firm* — Damian Porcari; Brooks Kushman P.C.

(57) **CLAIM**

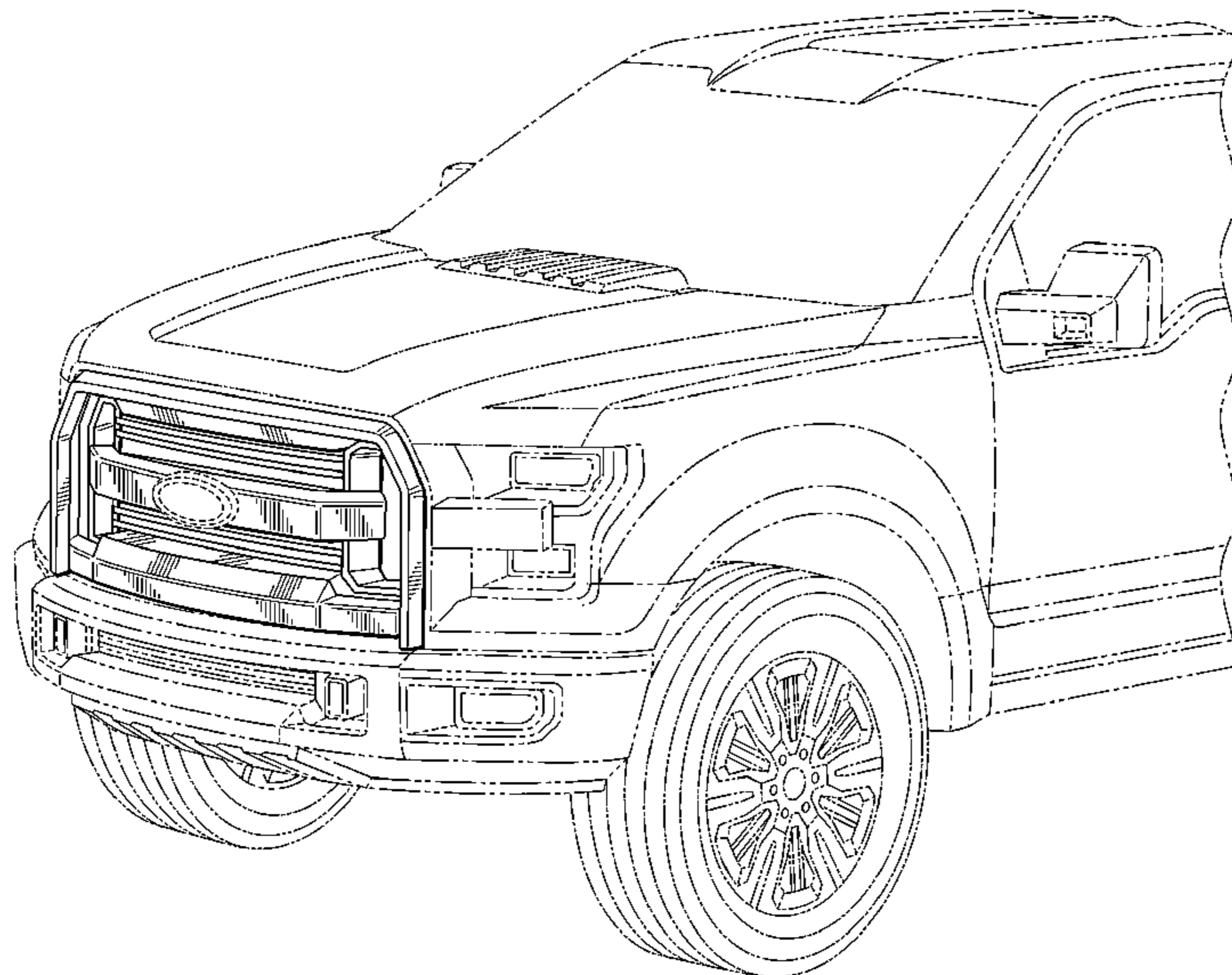
The ornamental design for a vehicle grille, as shown and described.

DESCRIPTION

FIG. 1 is a front perspective view of a vehicle grille in accordance with an embodiment of the present invention; FIG. 2 is a front/left side perspective view of the vehicle grille of FIG. 1, wherein a front/right side perspective view is a mirror image thereof; and, FIG. 3 is a left side perspective view of the vehicle grille of FIG. 1, wherein a right side perspective view is a mirror image thereof.

Then broken lines shown in the drawings form no part of the claimed design.

1 Claim, 3 Drawing Sheets



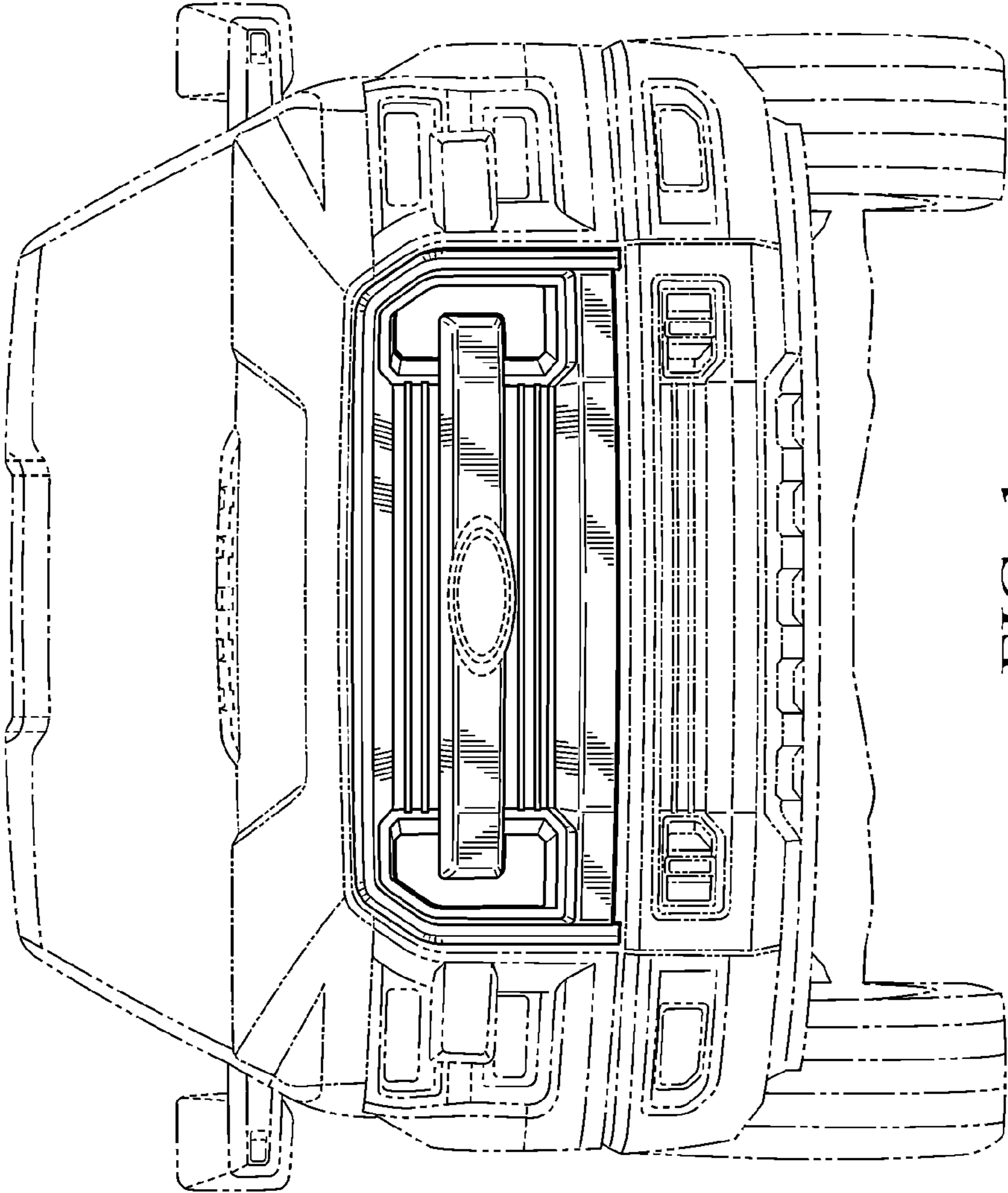


FIG. 1

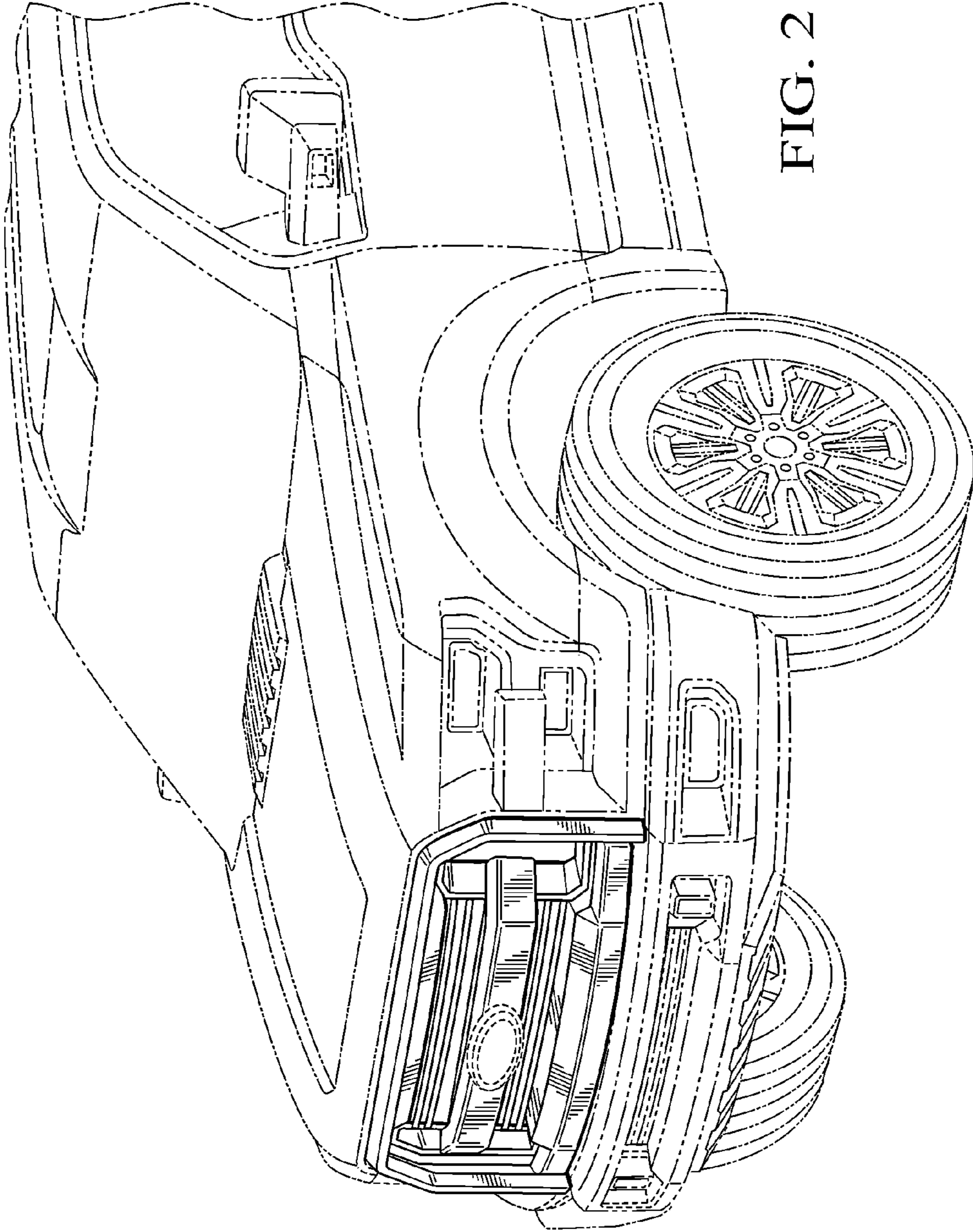


FIG. 2

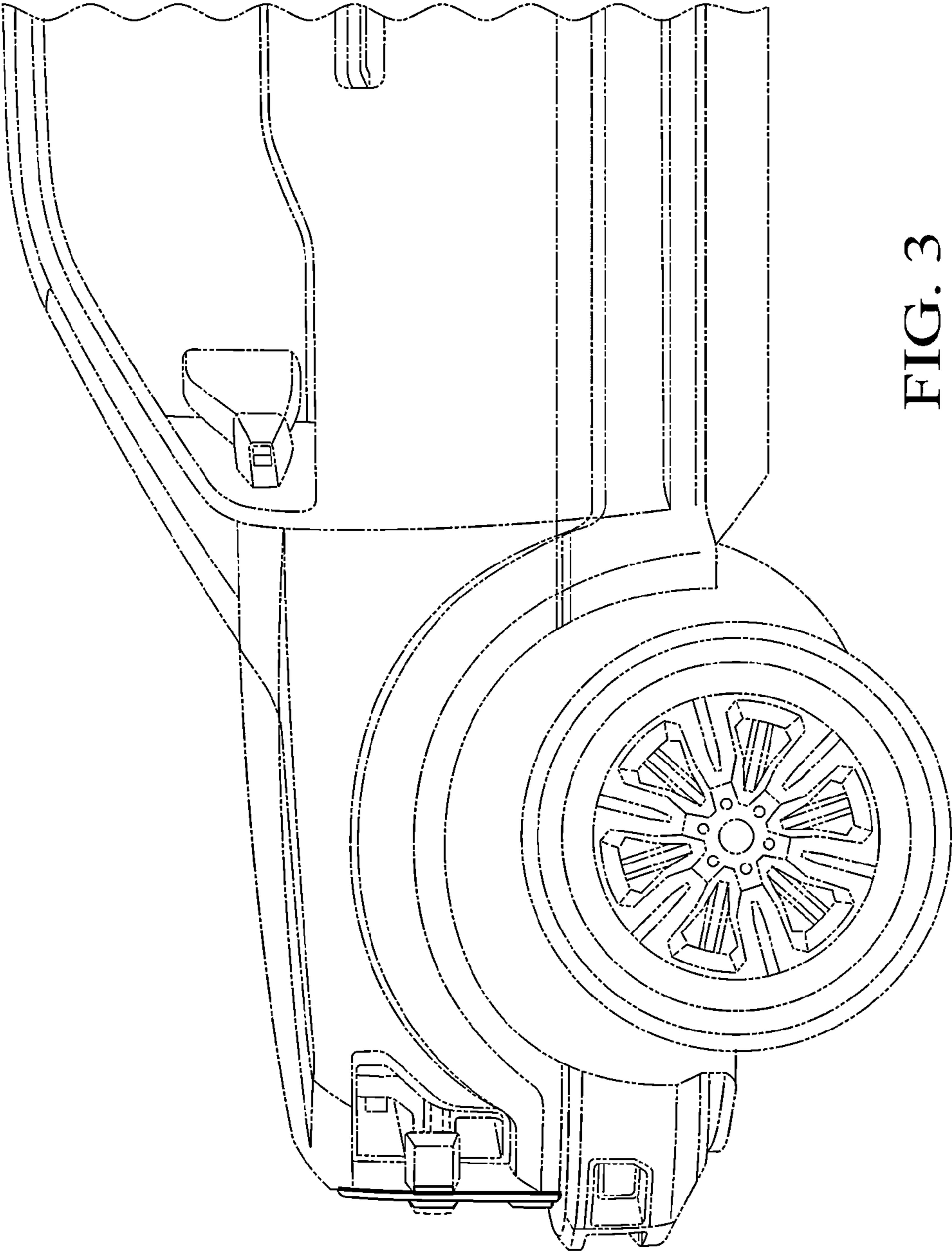


FIG. 3