



US00D703105S

(12) **United States Design Patent**
Riggs et al.

(10) **Patent No.:** **US D703,105 S**
(45) **Date of Patent:** **** Apr. 22, 2014**

(54) **TRUCK VEHICLE**
(75) Inventors: **Robert B. Riggs**, St. Charles, IL (US);
Christian Michael Hardin, Waterford,
MI (US); **Robert Paul Scott**, Aurora, IL
(US)
(73) Assignee: **International Truck Intellectual
Property Company, LLC**, Lisle, IL
(US)

D607,395 S 1/2010 Beigel
D618,604 S 6/2010 Beigel
D619,049 S * 7/2010 Beigel et al. D12/96
D619,068 S 7/2010 Beigel
D620,411 S 7/2010 Beigel
D623,091 S * 9/2010 Beigel et al. D12/96
D623,092 S * 9/2010 Beigel et al. D12/96
D634,244 S * 3/2011 Aris et al. D12/96

(Continued)

(**) Term: **14 Years**

(21) Appl. No.: **29/430,566**

(22) Filed: **Aug. 28, 2012**

(51) **LOC (10) Cl.** **12-16**

(52) **U.S. Cl.**
USPC **D12/96**

(58) **Field of Classification Search**
USPC D12/93, 96, 97, 99; D21/424, 434, 581;
180/89.16, 89.18, 89.19; 296/183.1,
296/190.1, 146.1

See application file for complete search history.

(56) **References Cited**

U.S. PATENT DOCUMENTS

2,699,223 A * 1/1955 Brumbaugh 180/89.14
D276,710 S 12/1984 Brunger
4,813,736 A * 3/1989 Schubert et al. 296/190.05
D305,313 S 1/1990 Brunger
D411,816 S 7/1999 Reynard
D416,221 S 11/1999 Sutton
D421,412 S 3/2000 Sutton
D458,565 S 6/2002 Maher
6,637,394 B2 * 10/2003 Marshall et al. 123/179.3
D540,218 S * 4/2007 Sekiguchi D12/96
D540,219 S * 4/2007 Oka D12/96
D546,253 S 7/2007 Lee
D570,741 S * 6/2008 Emoto et al. D12/96
D571,259 S * 6/2008 Emoto et al. D12/96

Navistar. ProStar Day Cab. Short-Haul Performance That Meets Your High Expectations. Mar. 15, 2013 [online], [retrieved on Jun. 20, 2013]. Retrieved from the Internet <URL: http://www.internationaltrucks.com/StaticFiles/internationalTrucks/Trucks/ProStar/ProStar_DayCab_Spec_Card_LR.pdf>.*

(Continued)

Primary Examiner — Philip S Hyder
Assistant Examiner — Darlington Ly
(74) *Attorney, Agent, or Firm* — Jeffrey P. Calfa; Mark C. Bach; Gerald W. Askew

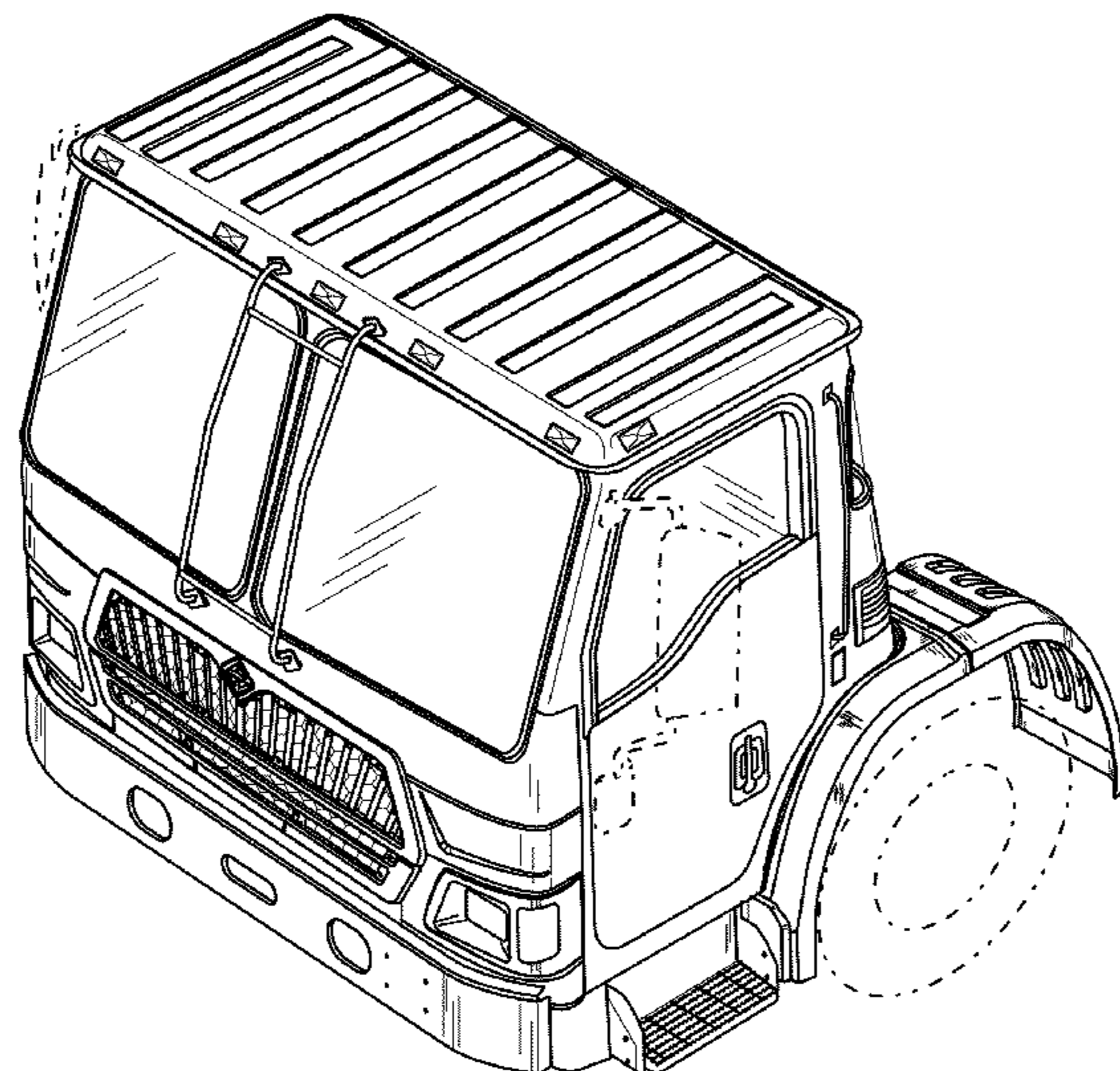
(57) **CLAIM**

The ornamental design for a truck vehicle, as shown and described.

DESCRIPTION

FIG. 1 is a front and left side perspective view of a truck vehicle showing our new design;
FIG. 2 is a front elevation view thereof;
FIG. 3 is a rear elevation view thereof;
FIG. 4 is a top plan view thereof;
FIG. 5 is a left side elevation view thereof; and,
FIG. 6 is a right side elevation view thereof.
The broken lines shown in the drawings illustrate portions of the truck vehicle that forms no part of claimed design.

1 Claim, 4 Drawing Sheets



(56)

References Cited

U.S. PATENT DOCUMENTS

D634,246 S 3/2011 Aris
D642,961 S 8/2011 Beigel
D644,581 S 9/2011 Beigel
D644,972 S 9/2011 Beigel
D645,799 S 9/2011 Beigel
D653,994 S * 2/2012 Fukushima et al. D12/96
2007/0075566 A1 * 4/2007 Lindemann et al. 296/190.01

OTHER PUBLICATIONS

Loadstar: Fully Loaded. Introducing The Loadstartm, The Game-Changing New Severe-Service Work Truck. Mar. 15, 2013[online], [retrieved on Jun. 20, 2013]. Retrieved from the Internet <URL: <http://www.internationaltrucks.com/trucks/experience/loadstarfullyloaded>>.*

* cited by examiner

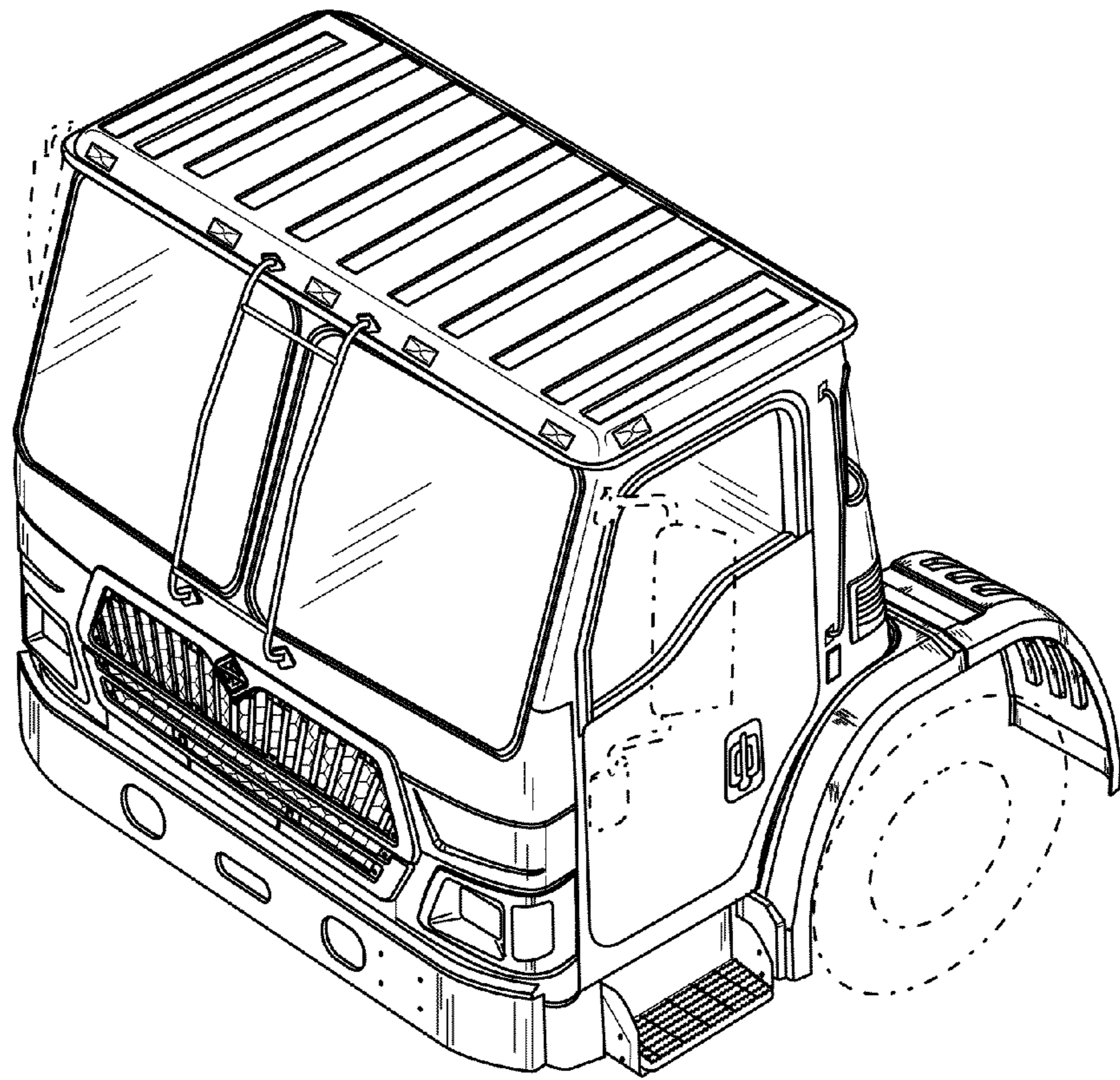


FIG. 1

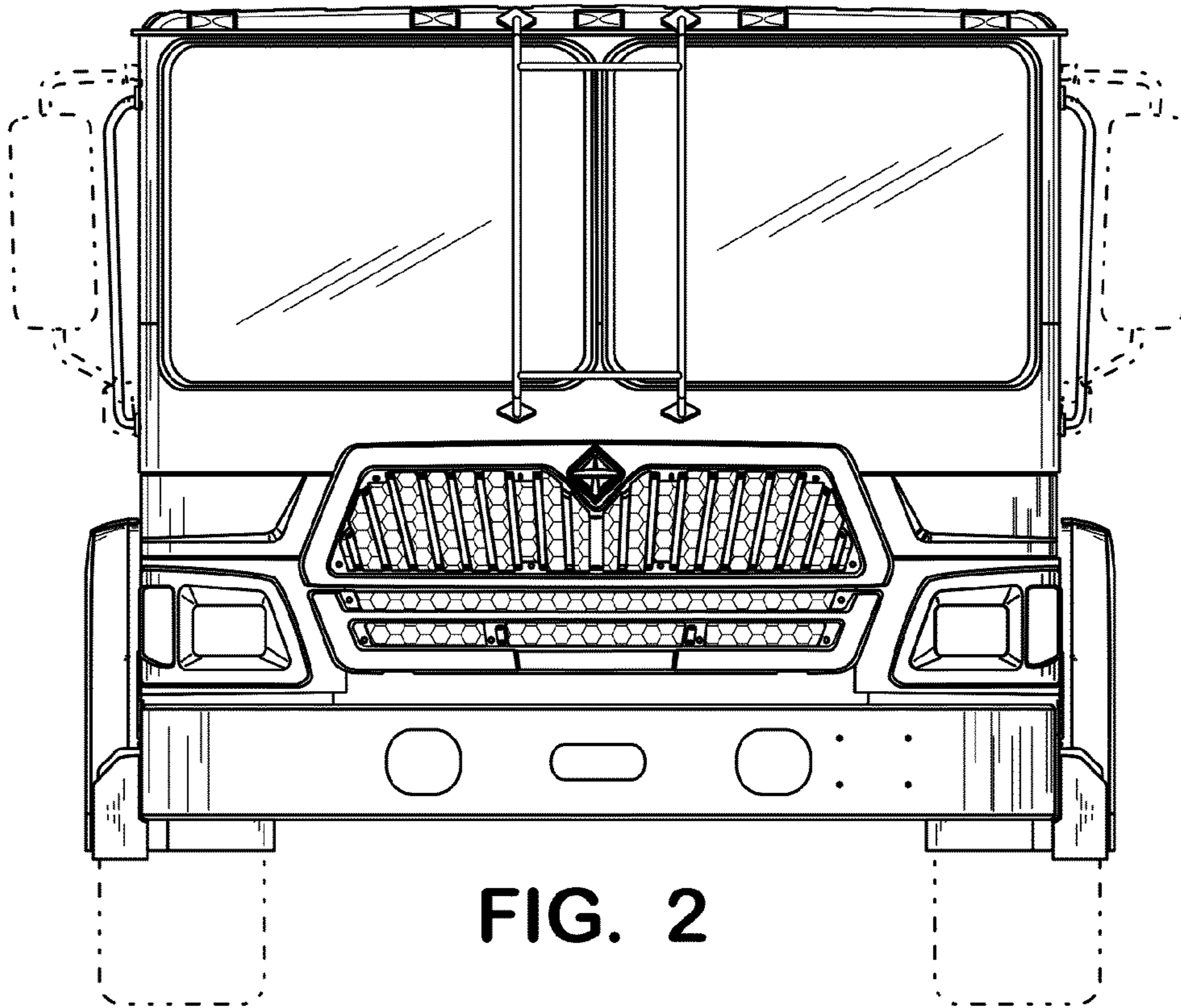


FIG. 2

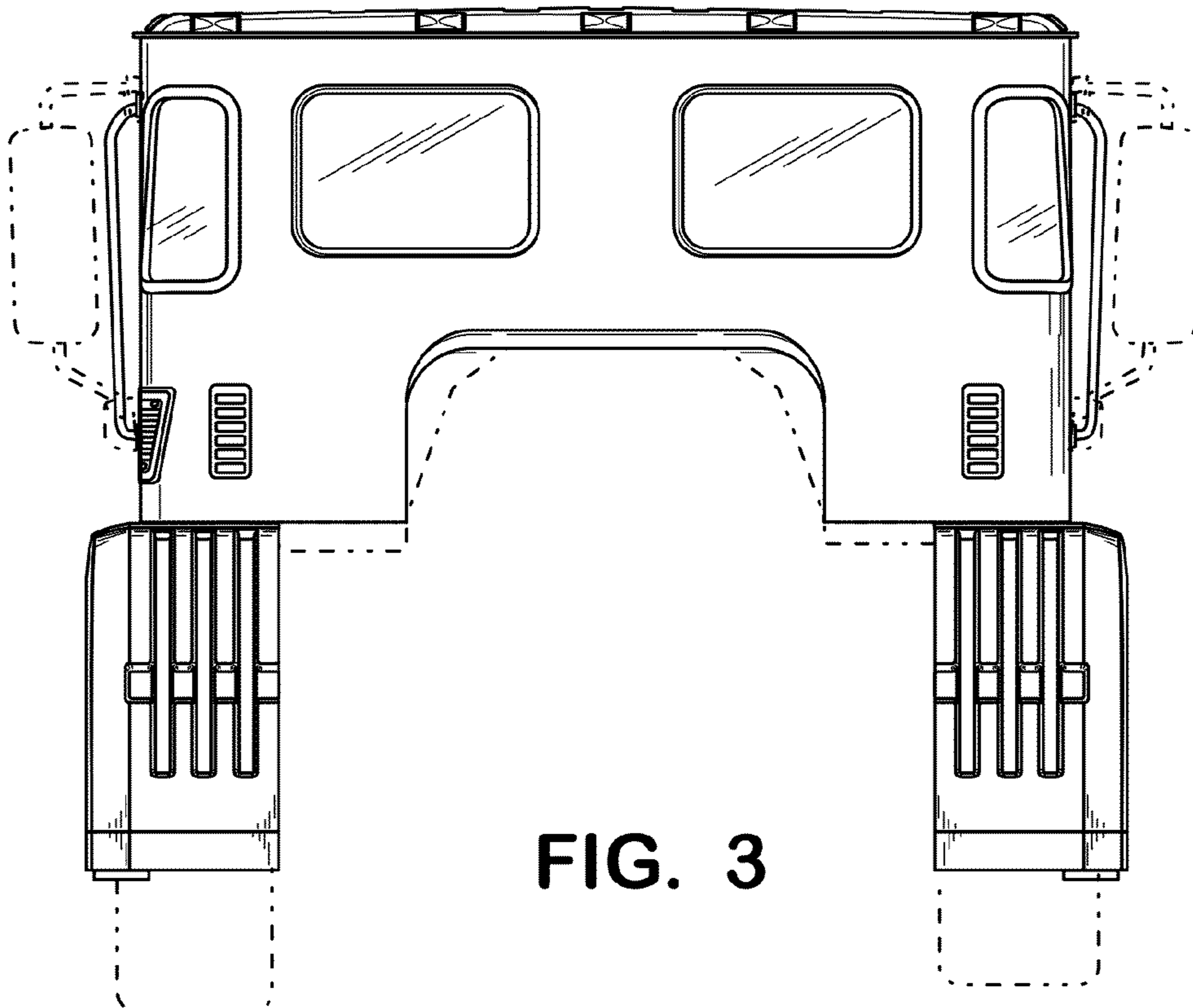


FIG. 3

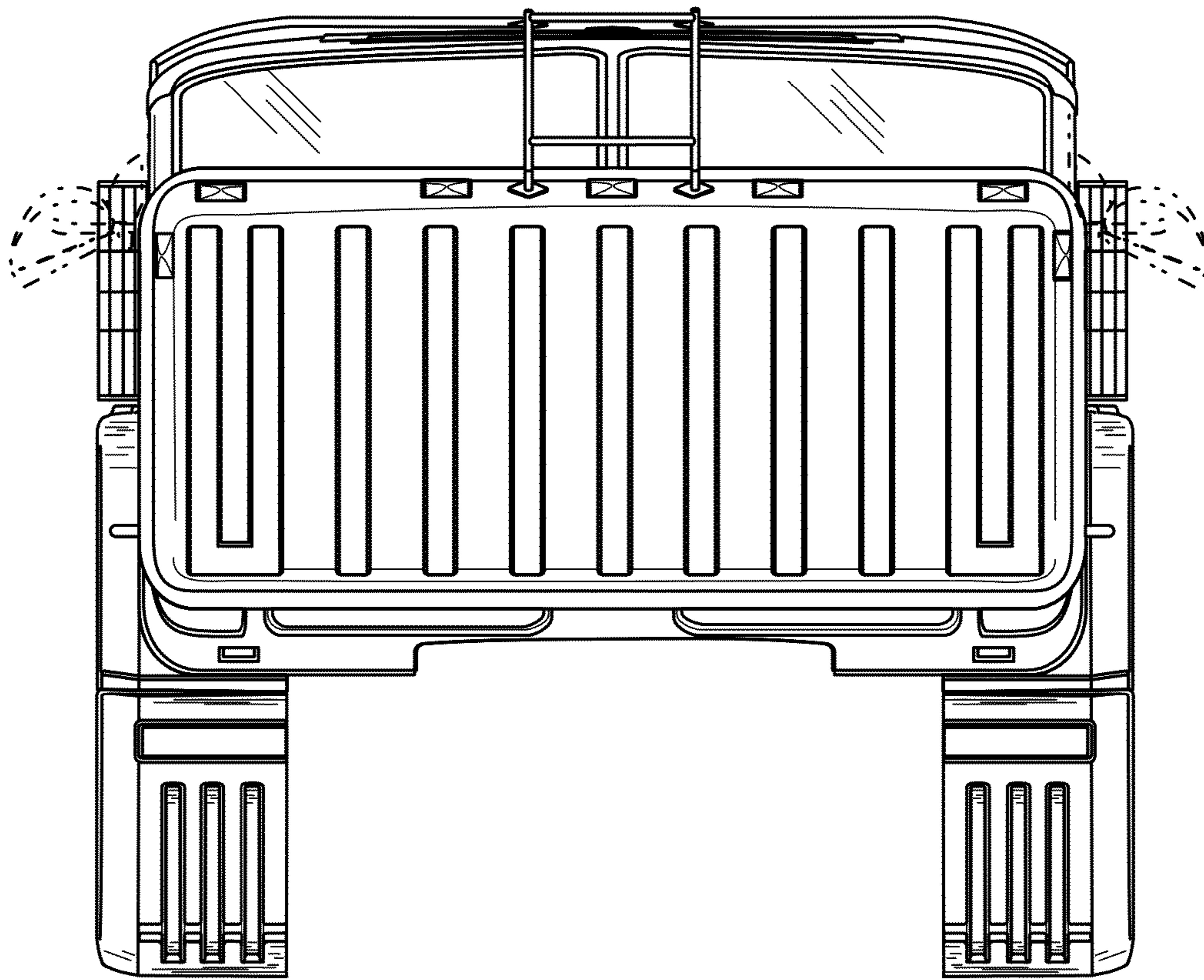


FIG. 4

