



US00D703104S

(12) **United States Design Patent**  
**Scaringe et al.**

(10) **Patent No.:** **US D703,104 S**  
(45) **Date of Patent:** **\*\* Apr. 22, 2014**

(54) **VEHICLE, TOY REPLICA AND/OR OTHER REPLICAS**

(56) **References Cited**

U.S. PATENT DOCUMENTS

(71) Applicant: **Rivian Automotive Inc.**, Rockledge, FL (US)

D671,865 S *	12/2012	Kido et al.	.....	D12/92
D684,095 S *	6/2013	Beaven	.....	D12/92
D692,800 S *	11/2013	Wiltshire	.....	D12/92
D696,159 S *	12/2013	Borkert	.....	D12/92

(72) Inventors: **Robert J. Scaringe**, Rockledge, FL (US); **Larry R. Erickson**, Birmingham, MI (US); **Roman P. Mistiuk**, Rockledge, FL (US); **Thomas C. Gale**, Bay Harbor, MI (US)

\* cited by examiner

*Primary Examiner* — Melody Brown

(\*\*) Term: **14 Years**

(57) **CLAIM**

The ornamental design for a vehicle, toy replica and/or other replicas, as shown and described.

(21) Appl. No.: **29/445,560**

**DESCRIPTION**

(22) Filed: **Feb. 13, 2013**

(51) **LOC (10) Cl.** ..... **12-08**

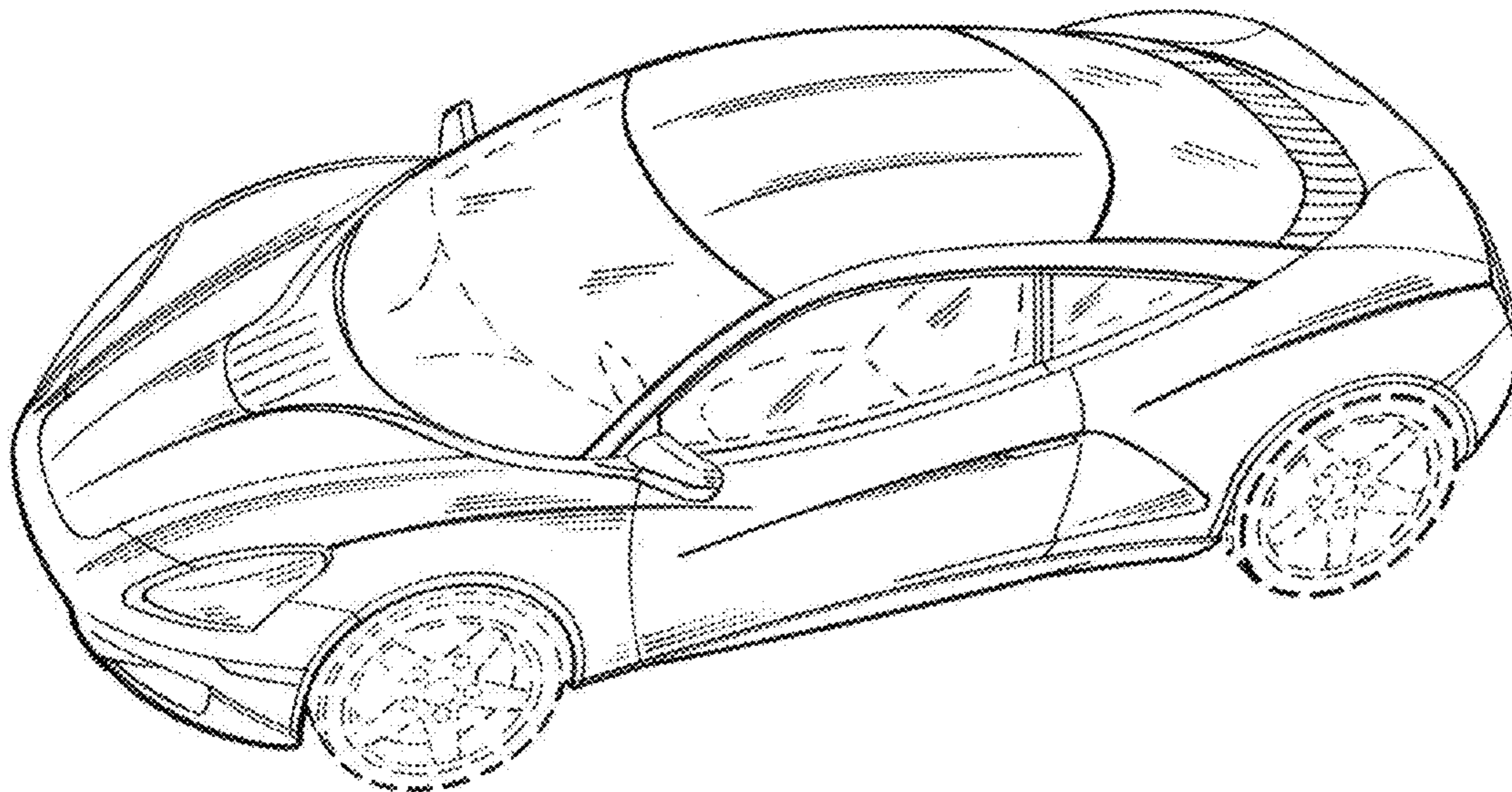
(52) **U.S. Cl.**  
USPC ..... **D12/92**

(58) **Field of Classification Search**  
USPC ..... D12/86, 90-92, 88; D21/424, 433, 434;  
296/181.1, 181.5

FIG. 1 is a top left-side perspective view of a vehicle, toy replica and/or other replica according to said design, the top right-side perspective view being mirror symmetrical; FIG. 2 is a left-side elevation view thereof; FIG. 3 is a front elevation view thereof; FIG. 4 is a right-side elevation view thereof; and, FIG. 5 is a rear elevation view thereof. The broken lines are for illustrative purposes only and form no part of the claimed design.

See application file for complete search history.

**1 Claim, 5 Drawing Sheets**



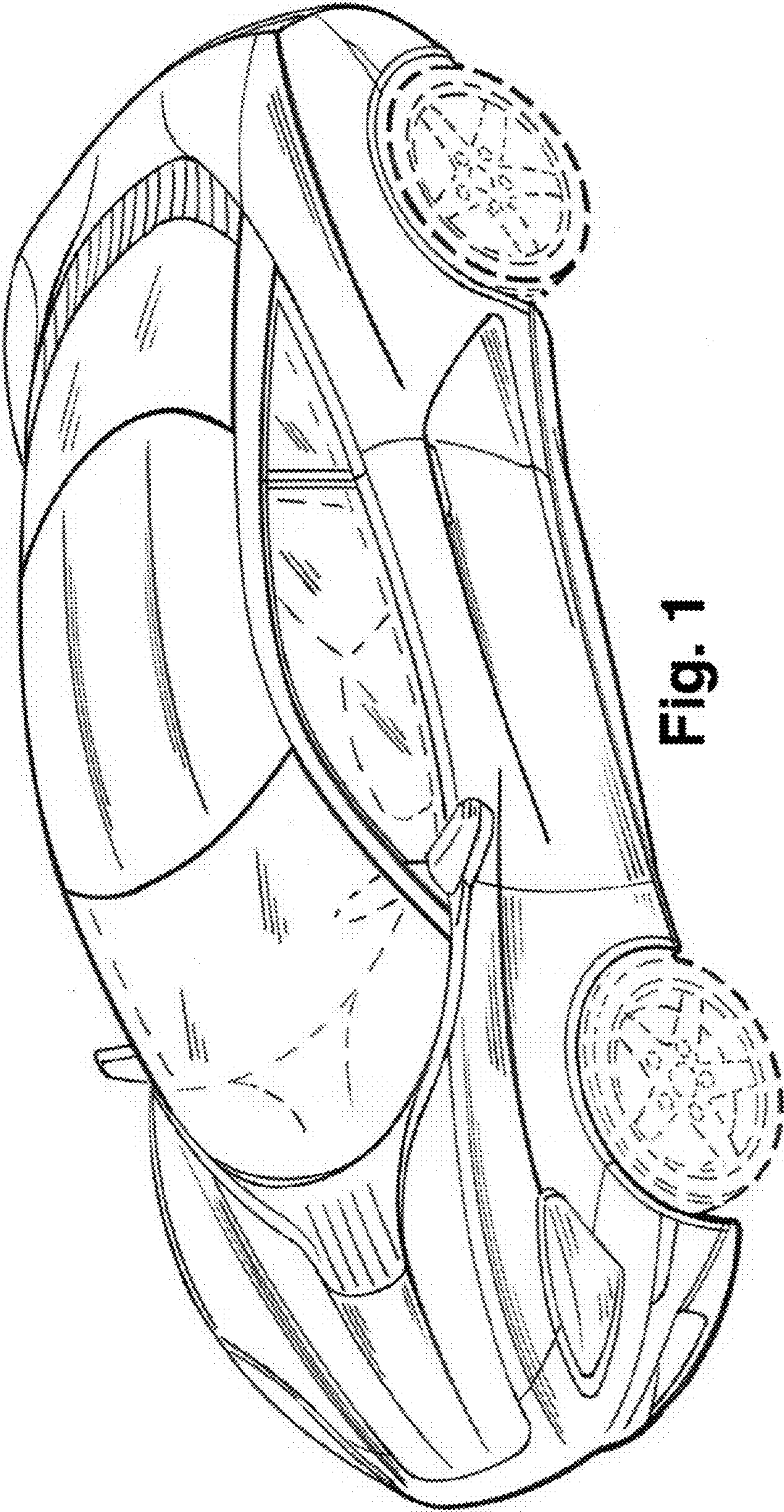


Fig. 1



Fig. 2

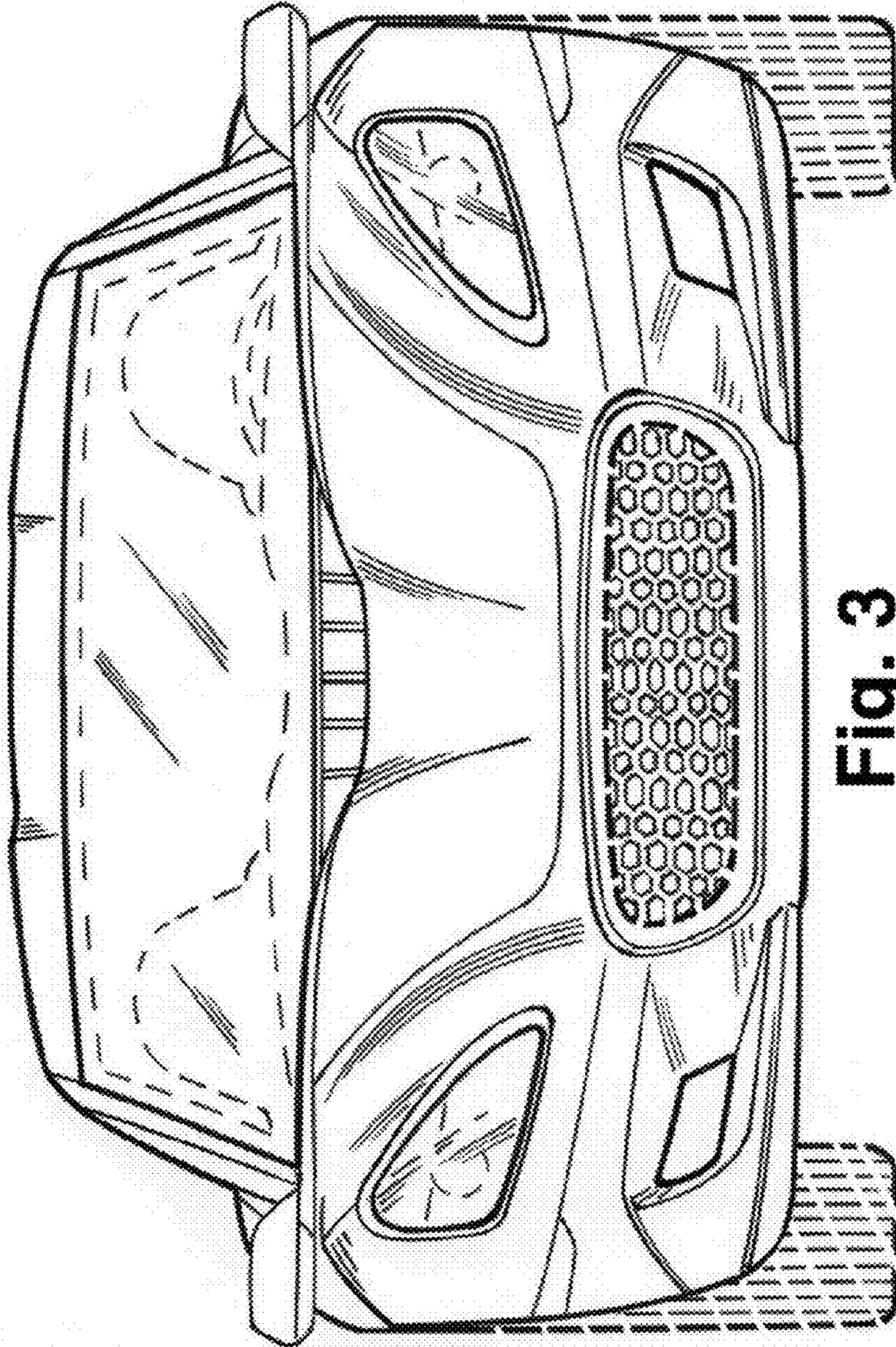


Fig. 3

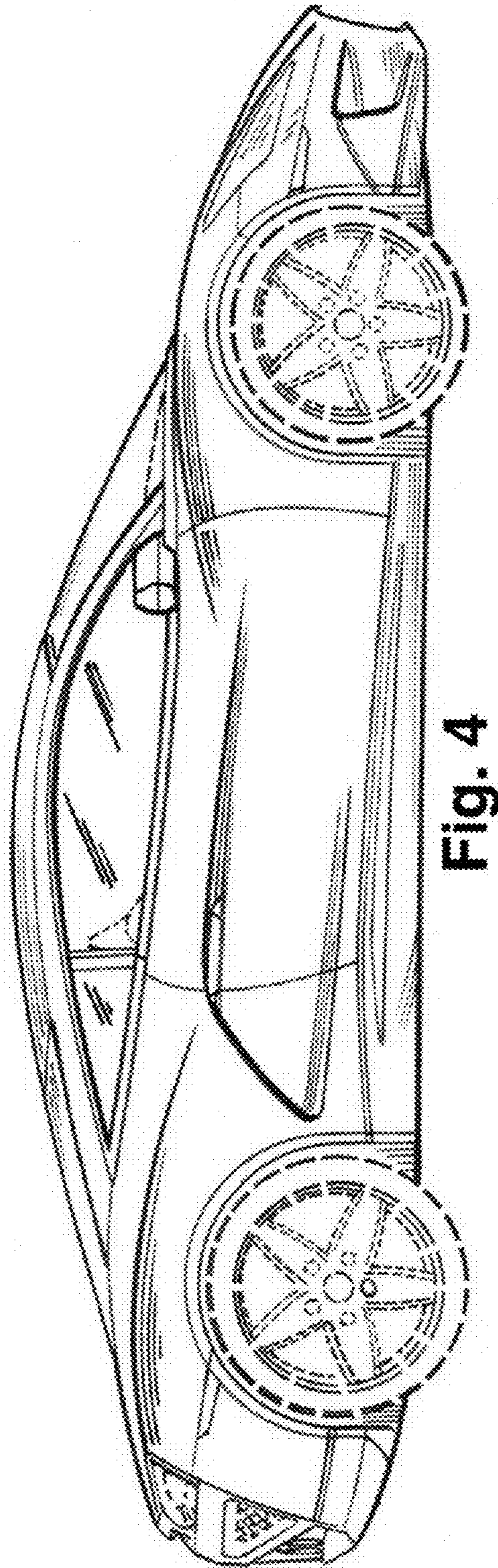


Fig. 4

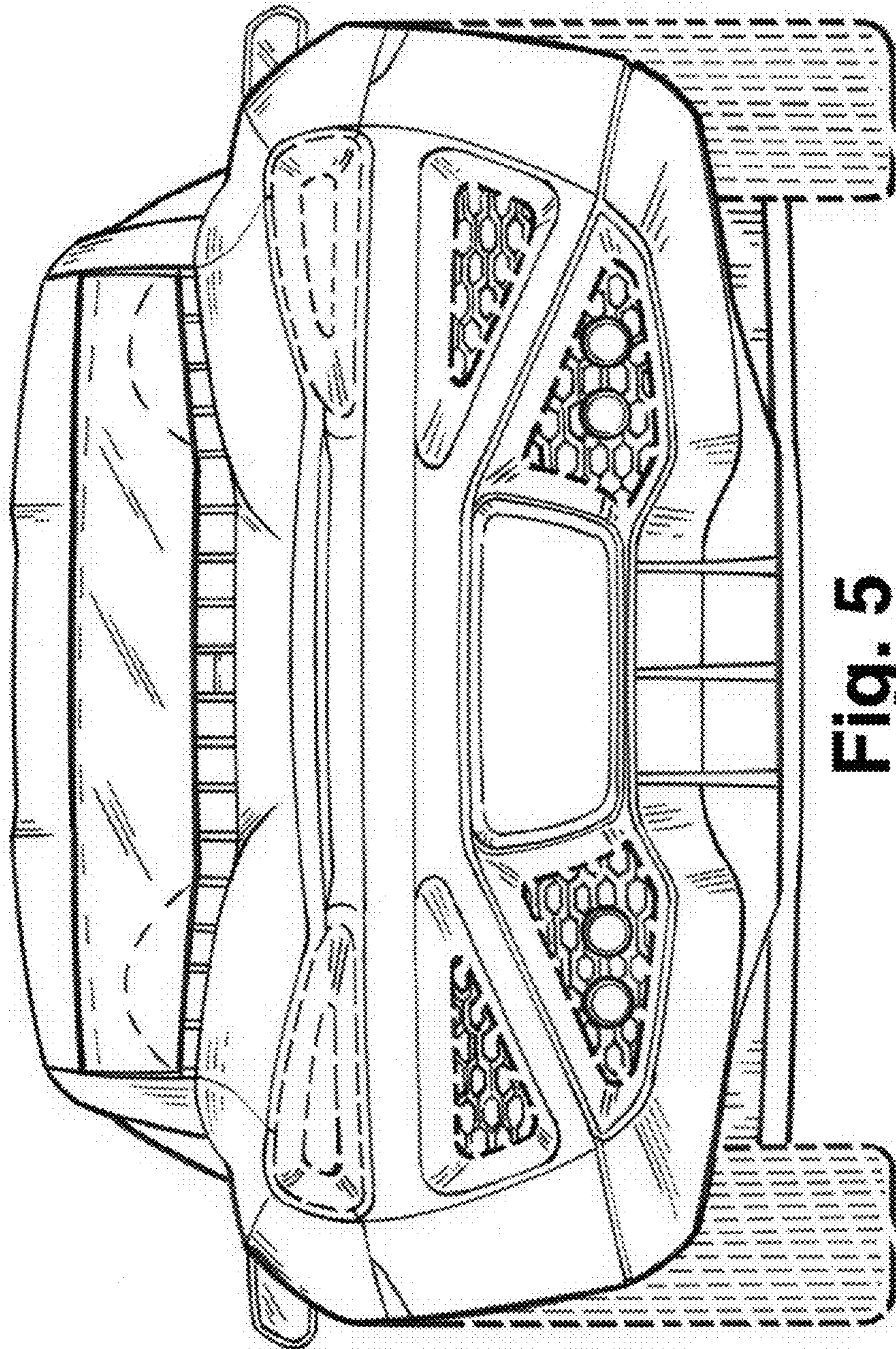


Fig. 5