



US00D703102S

(12) **United States Design Patent**  
**Eck et al.**

(10) **Patent No.:** **US D703,102 S**  
(45) **Date of Patent:** **\*\* Apr. 22, 2014**

(54) **SIDE-BY-SIDE ALL TERRAIN VEHICLE**

(71) Applicant: **Polaris Industries Inc.**, Medina, MN  
(US)

(72) Inventors: **Richard E. Eck**, Fond du Lac, WI (US);  
**Curtis C. Carruth**, Maple Grove, MN  
(US)

(73) Assignee: **Polaris Industries Inc.**, Medina, MN  
(US)

(\*\*) Term: **14 Years**

(21) Appl. No.: **29/434,278**

(22) Filed: **Oct. 11, 2012**

(51) **LOC (10) Cl.** ..... **12-08**

(52) **U.S. Cl.**  
USPC ..... **D12/87**

(58) **Field of Classification Search**  
USPC ..... D12/1, 14, 86, 87, 88, 90, 91, 92;  
D21/424, 425, 433; 180/208, 224, 291,  
180/309, 311, 337, 357; 280/779, 781;  
296/181.1, 181.4, 181.5  
See application file for complete search history.

(56) **References Cited**

**U.S. PATENT DOCUMENTS**

D286,760	S	*	11/1986	Ooba et al.	.....	D12/87
D300,011	S	*	2/1989	Oba et al.	.....	D12/87
D312,989	S	*	12/1990	Murata et al.	.....	D12/87
D442,119	S	*	5/2001	Murata et al.	.....	D12/86
D453,912	S	*	2/2002	Hettich et al.	.....	D12/86
D467,200	S	*	12/2002	Luo et al.	.....	D12/87
D500,707	S	*	1/2005	Lu	.....	D12/87
D574,297	S	*	8/2008	Carl	.....	D12/87

D575,675	S	*	8/2008	Williams et al.	.....	D12/87
2002/0011374	A1	*	1/2002	Brister	.....	180/291
2005/0173180	A1	*	8/2005	Hypes et al.	.....	180/292
2012/0193163	A1	*	8/2012	Wimpfheimer et al.	.....	180/233

**OTHER PUBLICATIONS**

Owners Manual. Trail Master—300XRX Dune Buggy. Jul. 29, 2011 [online], [retrieved on May 23, 2013]. Retrieved from the Internet <URL: <http://gokartsusa.com/pdf/TrailMaster-300-XRX-Owners-Manual.pdf>>.\*

American Sport Works. Zircon. Apr. 9, 2013 [online], [retrieved on May 23, 2013]. Retrieved from the Internet <URL: <http://www.amsportworks.com/pdfs/gokarts-minibikes/zircon-hangtag.pdf>>.\*

\* cited by examiner

*Primary Examiner* — Philip S Hyder

*Assistant Examiner* — Darlington Ly

(74) *Attorney, Agent, or Firm* — Faegre Baker Daniels LLP

(57) **CLAIM**

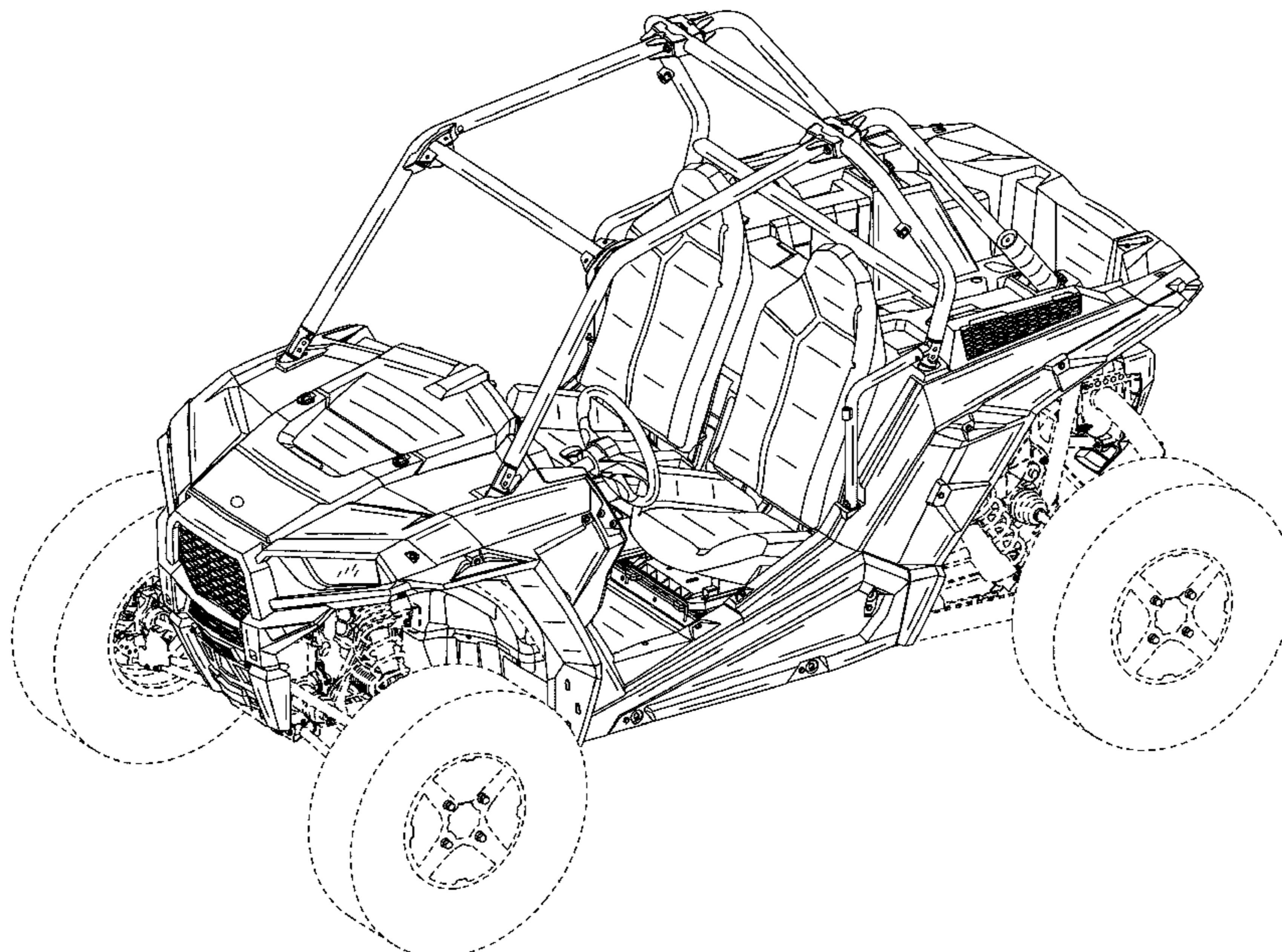
The ornamental design for a side-by-side all terrain vehicle, as shown and described.

**DESCRIPTION**

FIG. 1 is a front and left side perspective view of the side-by-side all terrain vehicle;  
FIG. 2 is a rear and right side perspective view thereof;  
FIG. 3 is a left side elevation view thereof;  
FIG. 4 is a right side elevation view thereof;  
FIG. 5 is a top plan view thereof;  
FIG. 6 is a front elevation view thereof; and,  
FIG. 7 is a rear elevation view thereof.

The broken lines shown in the drawings illustrate portions of the side-by-side all terrain vehicle that form no part of the claimed design.

**1 Claim, 6 Drawing Sheets**



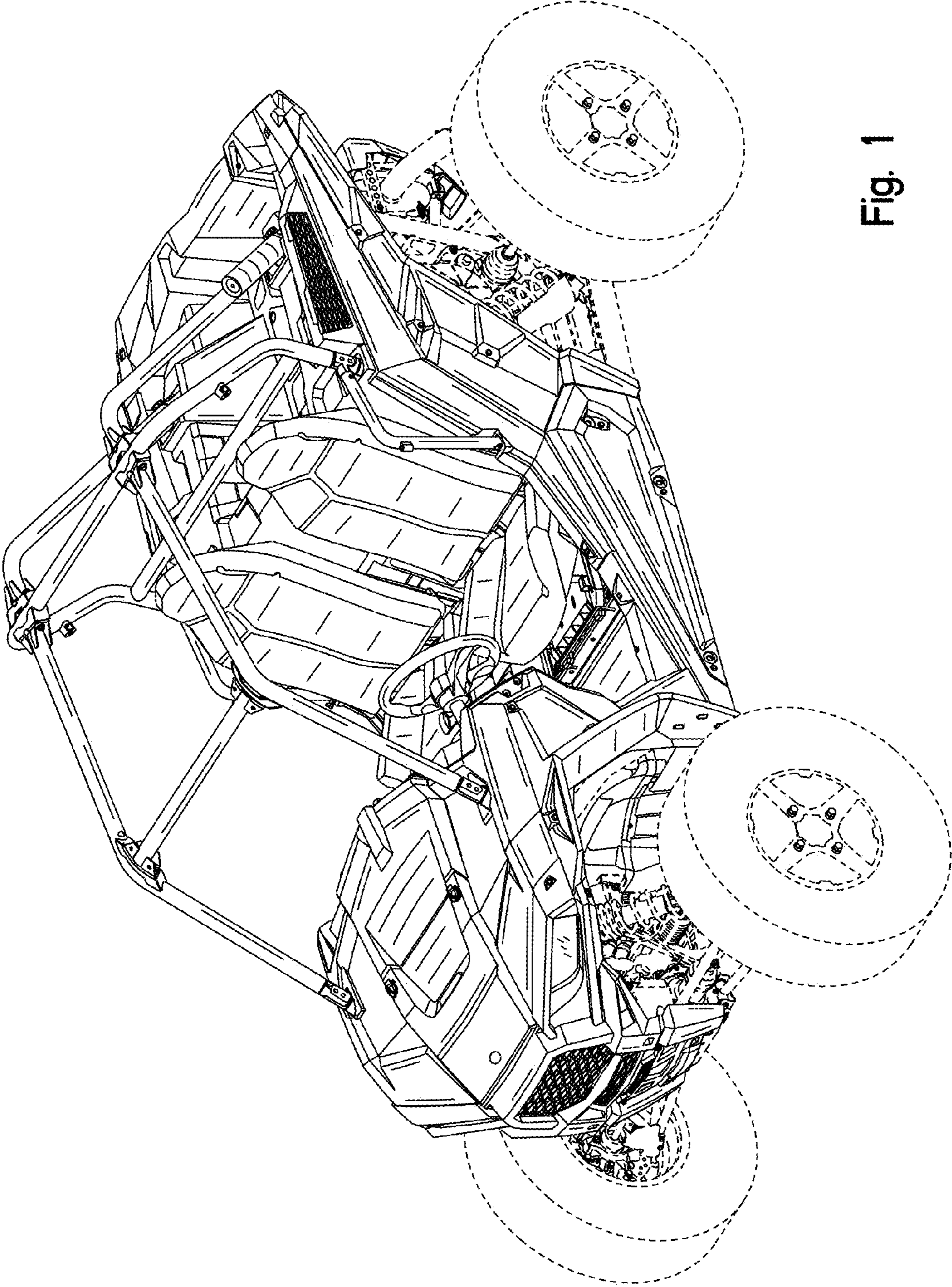


Fig. 1

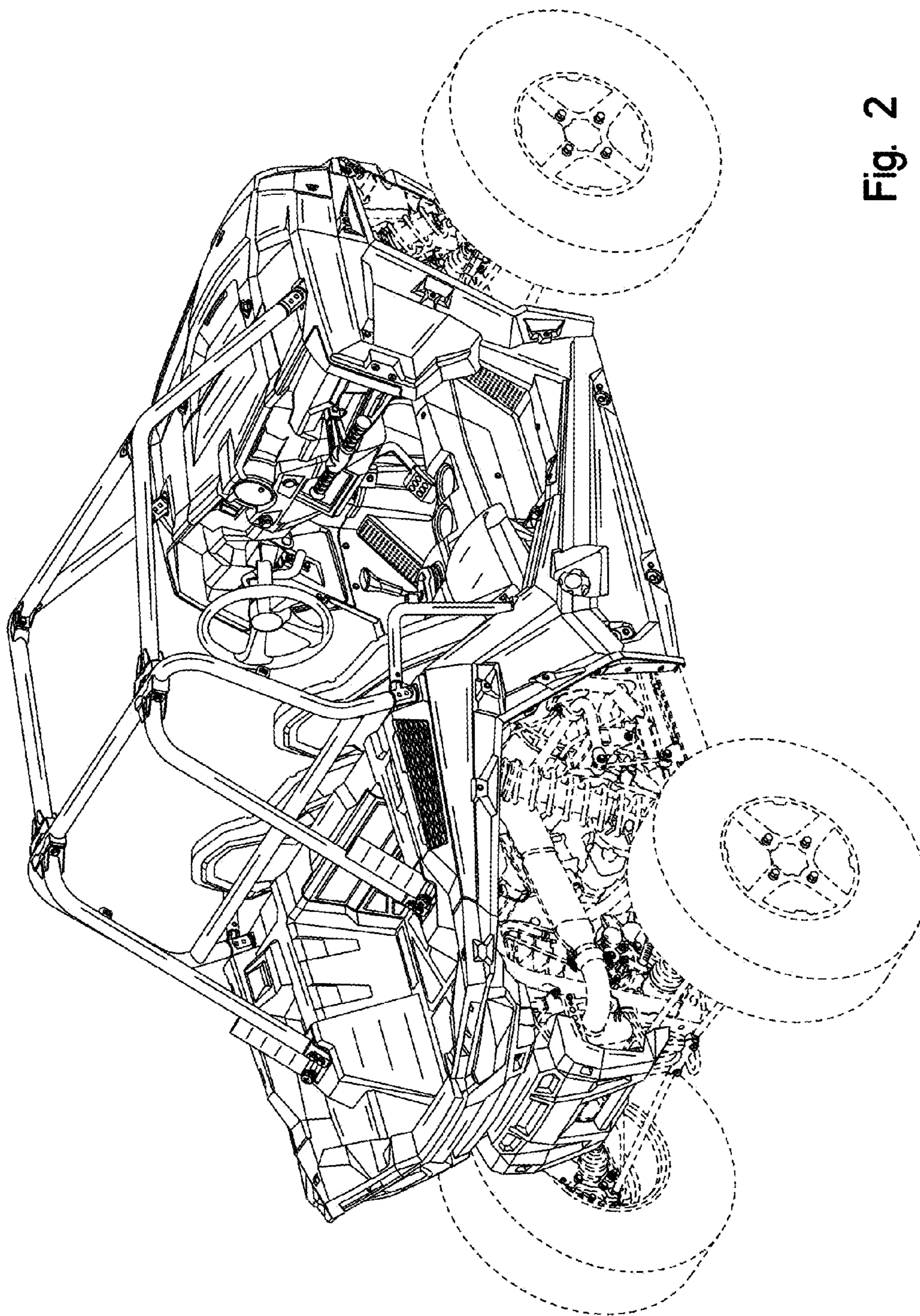


Fig. 2

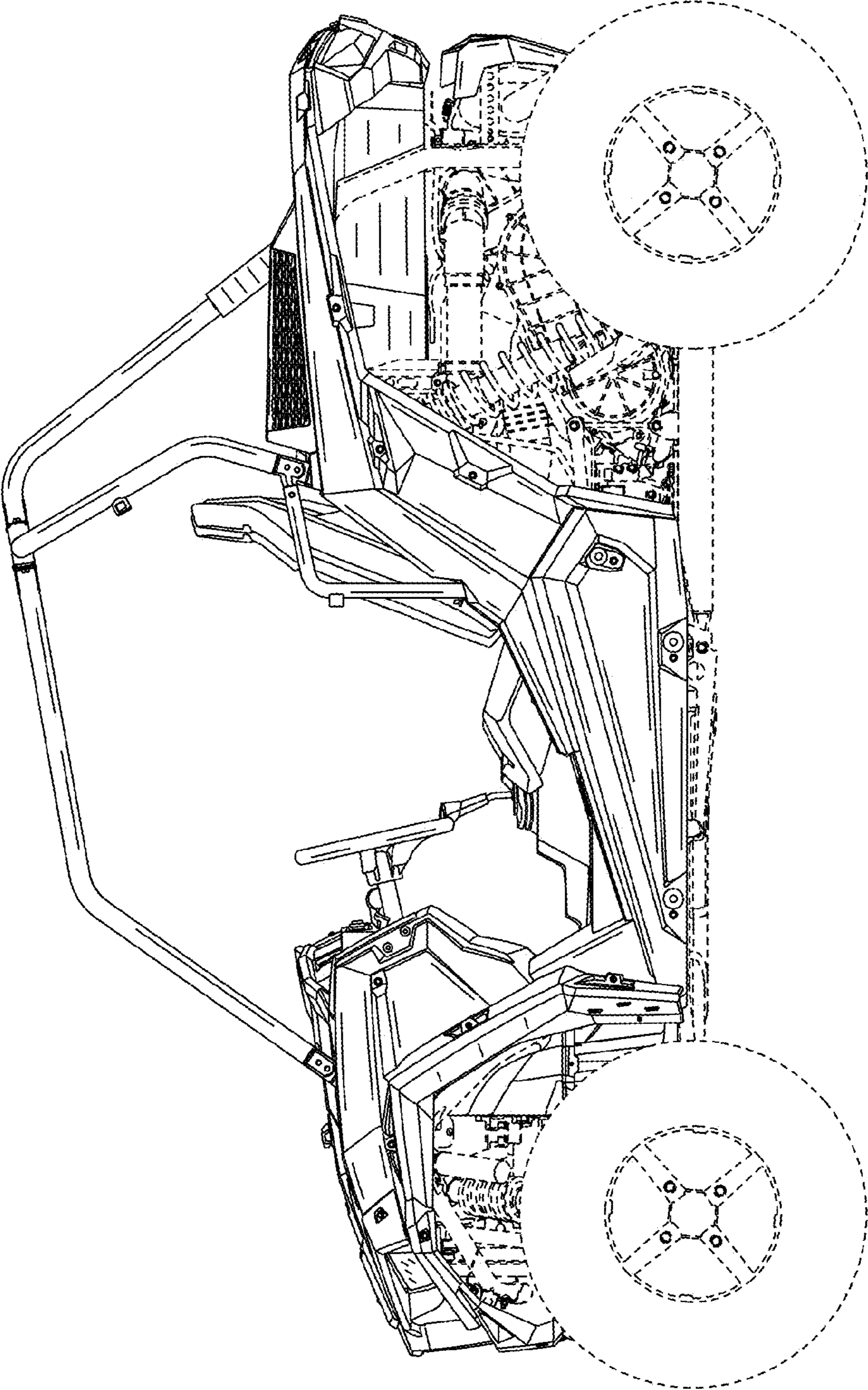


Fig. 3

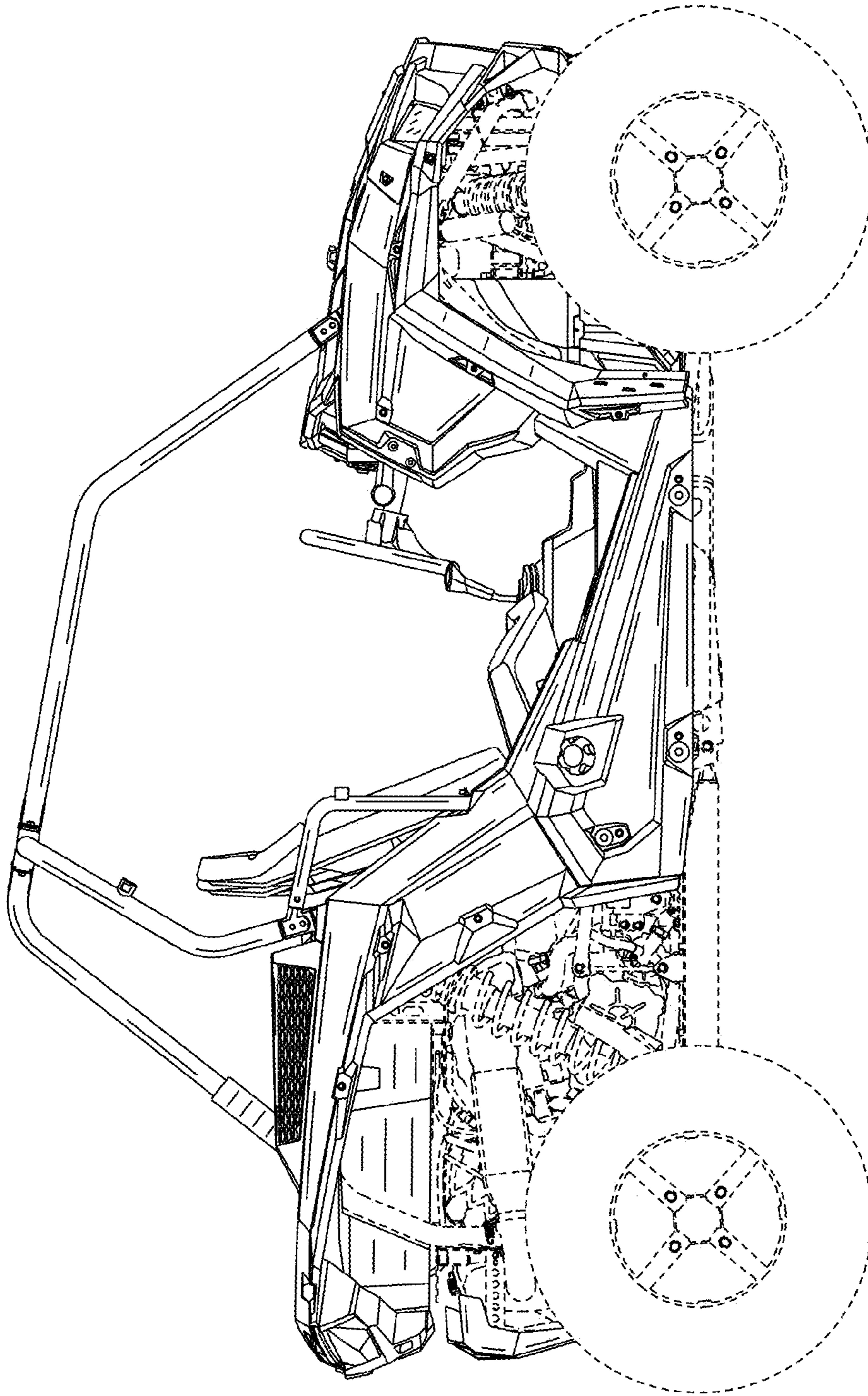


Fig. 4

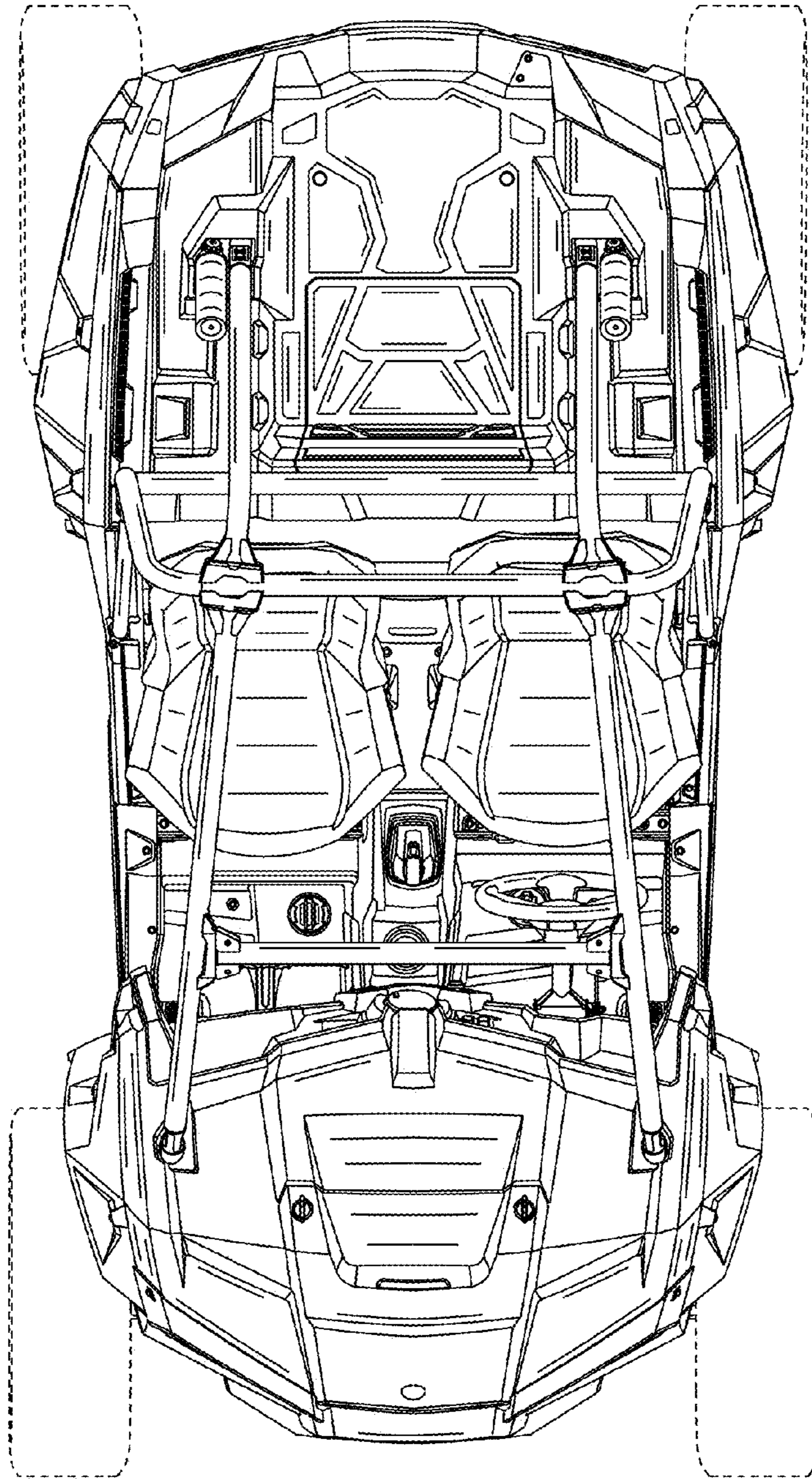


Fig. 5

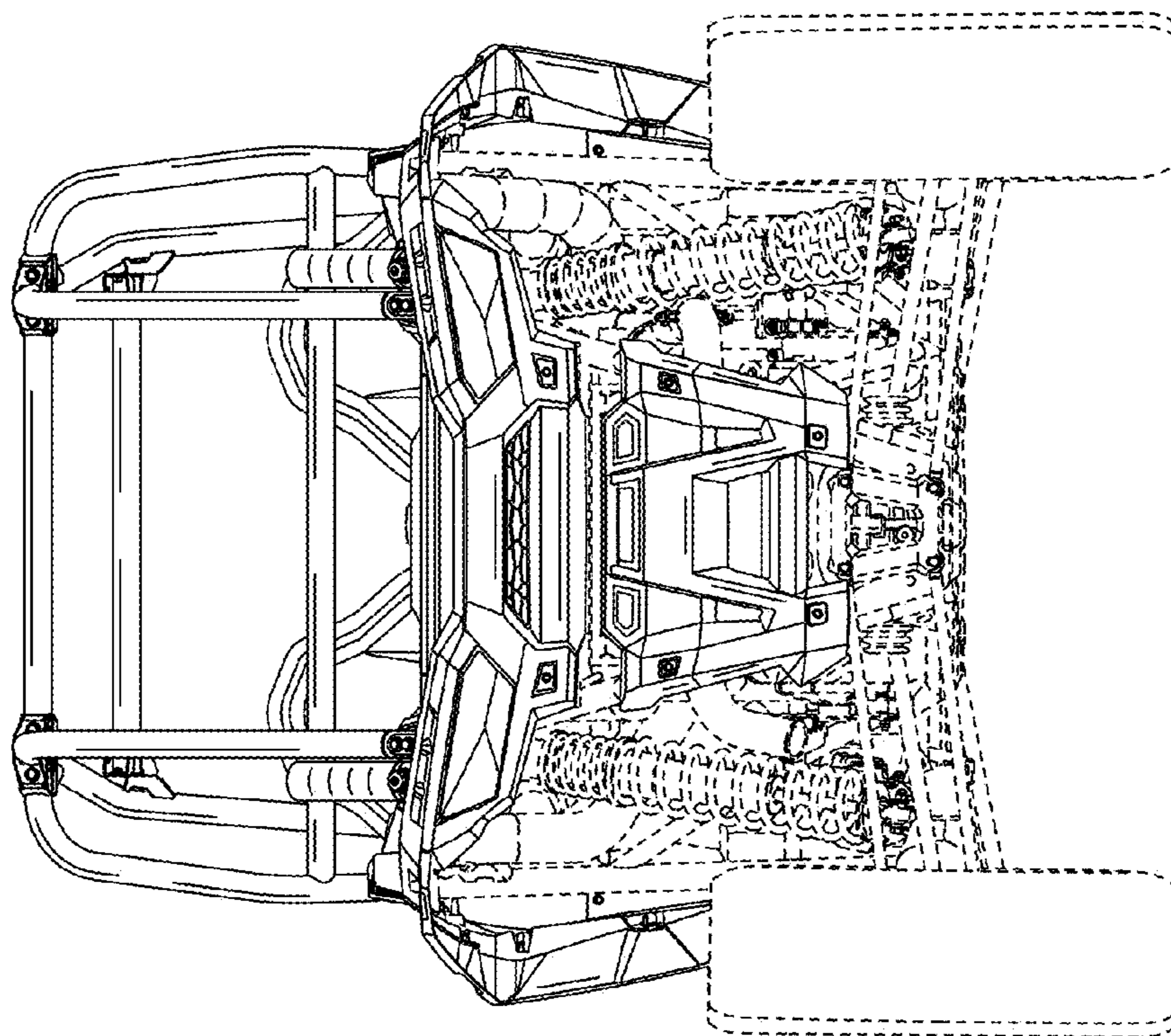


Fig. 7

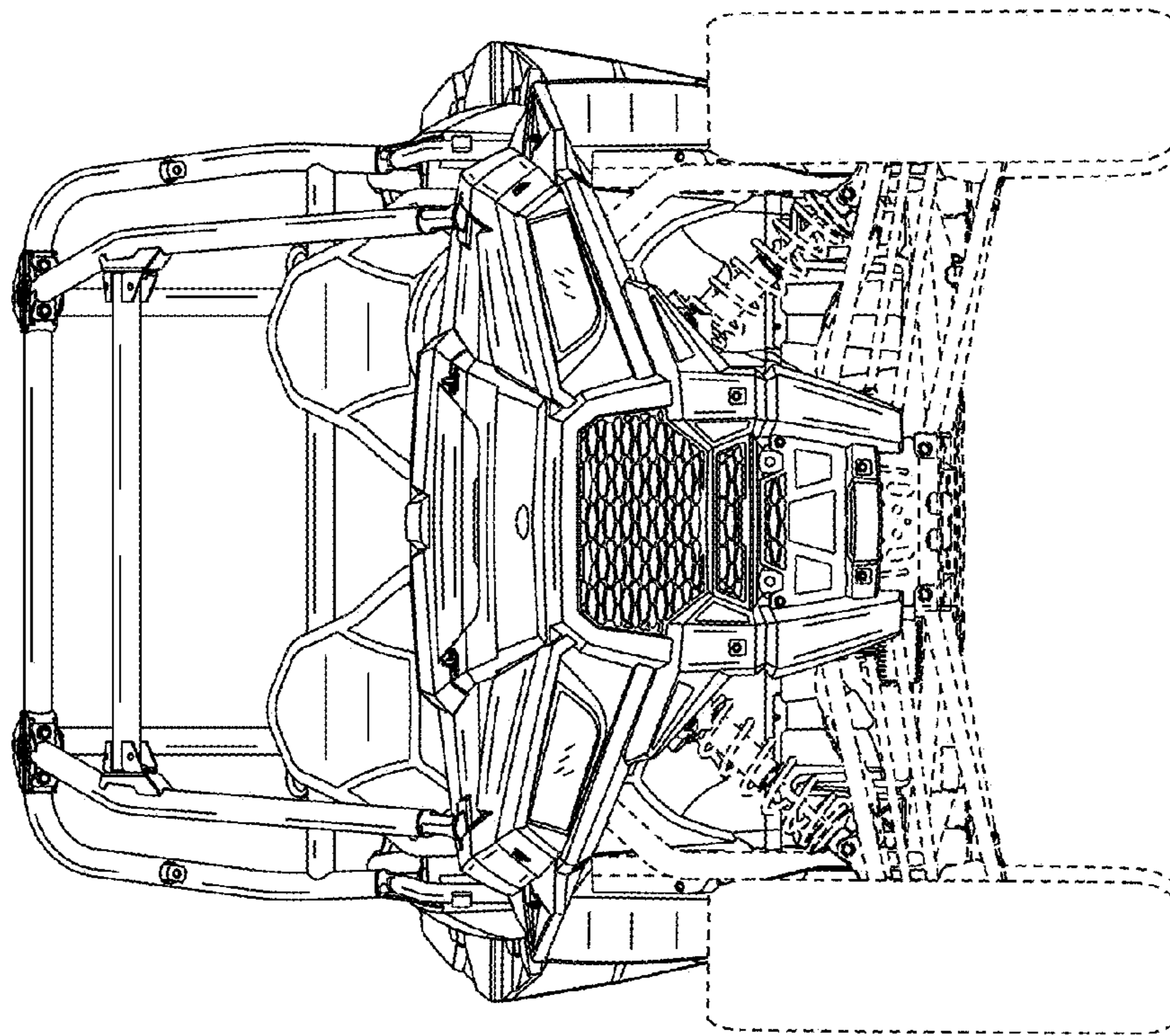


Fig. 6