



US00D703101S

(12) **United States Design Patent**  
**deNatale et al.**

(10) **Patent No.:** **US D703,101 S**

(45) **Date of Patent:** **\*\* Apr. 22, 2014**

(54) **VEHICLE EXTERIOR**

(75) Inventors: **Joseph Francis deNatale**, Greensboro, NC (US); **Joseph Edwin Otto**, Cincinnati, OH (US); **George Clifford Allen McCowan**, Greensboro, NC (US); **Robert Paul Scott**, Aurora, IL (US)

(73) Assignee: **International Truck Intellectual Property Company, LLC**, Lisle, IL (US)

(\*\*) Term: **14 Years**

(21) Appl. No.: **29/431,058**

(22) Filed: **Sep. 1, 2012**

(51) **LOC (10) Cl.** ..... **12-08**

(52) **U.S. Cl.**  
USPC ..... **D12/86**

(58) **Field of Classification Search**  
USPC ..... D12/1, 12, 86, 87, 91, 98; D21/424,  
D21/433, 434, 551, 559; 296/181.1, 181.5;  
293/133, 155

See application file for complete search history.

(56) **References Cited**

**U.S. PATENT DOCUMENTS**

D389,438 S *	1/1998	Guichard et al. ....	D12/98
D393,609 S *	4/1998	Kanthak et al. ....	D12/91
D403,637 S	1/1999	Abalos et al.	
D415,718 S *	10/1999	Aghaci .....	D12/91
D445,384 S	7/2001	Tirey et al.	
D458,197 S	6/2002	Maher et al.	

D513,395 S *	1/2006	Pizzuti et al. ....	D12/91
7,090,267 B2 *	8/2006	Pendarvis .....	293/155
D534,836 S *	1/2007	Moushegian et al. ....	D12/91
D554,563 S *	11/2007	Moushegian et al. ....	D12/91
D556,654 S	12/2007	Lee et al.	
D568,792 S *	5/2008	Moushegian et al. ....	D12/91
D579,824 S *	11/2008	Pandey et al. ....	D12/91
7,537,227 B1 *	5/2009	Polka .....	280/163
D605,977 S *	12/2009	Zipfel et al. ....	D12/91
D606,900 S *	12/2009	Flores .....	D12/87
D645,801 S	9/2011	Beigel et al.	
D649,909 S *	12/2011	Mullen .....	D12/86

\* cited by examiner

*Primary Examiner* — Philip S Hyder

*Assistant Examiner* — Darlington Ly

(74) *Attorney, Agent, or Firm* — Jeffrey P. Calfa; Mark C. Bach; Gerald W. Askew

(57) **CLAIM**

The ornamental design for a vehicle exterior, as shown and described.

**DESCRIPTION**

FIG. 1 is a front and left side perspective view of a vehicle exterior showing our new design;  
FIG. 2 is a rear and left side elevation view thereof;  
FIG. 3 is a rear elevation view thereof;  
FIG. 4 is a front elevation view thereof;  
FIG. 5 is a right side elevation view thereof;  
FIG. 6 is a left side elevation view thereof; and,  
FIG. 7 is a top plan view thereof.

The broken lines shown in the drawings illustrate portions of the vehicle exterior that forms no part of the claimed design.

**1 Claim, 5 Drawing Sheets**

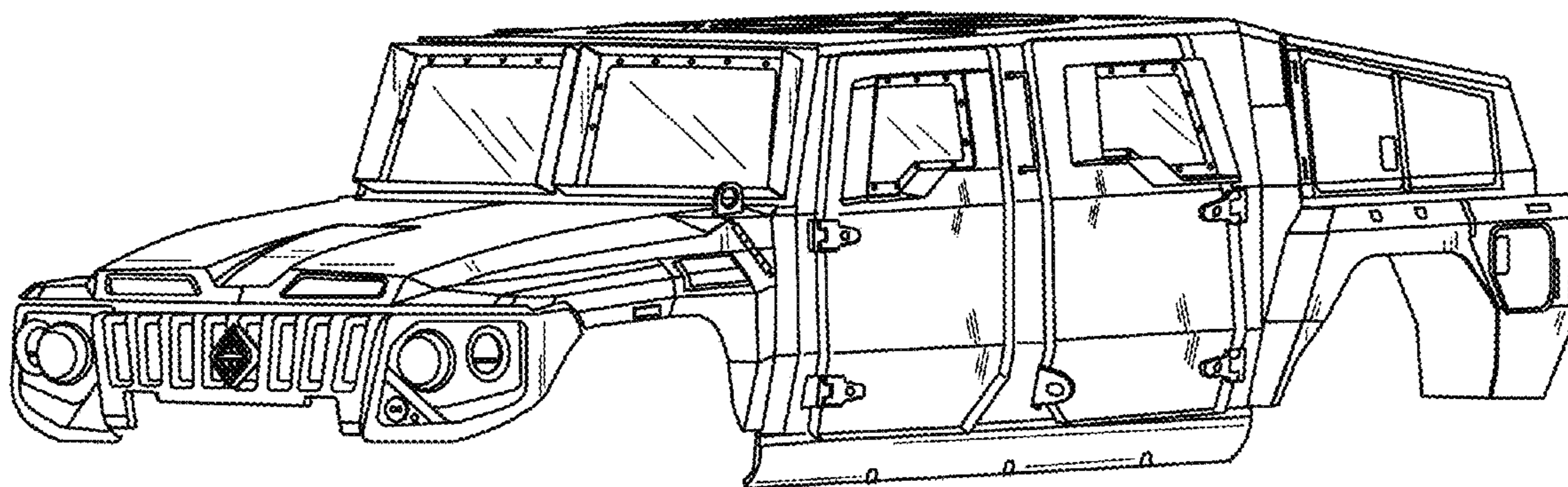




FIG. 1

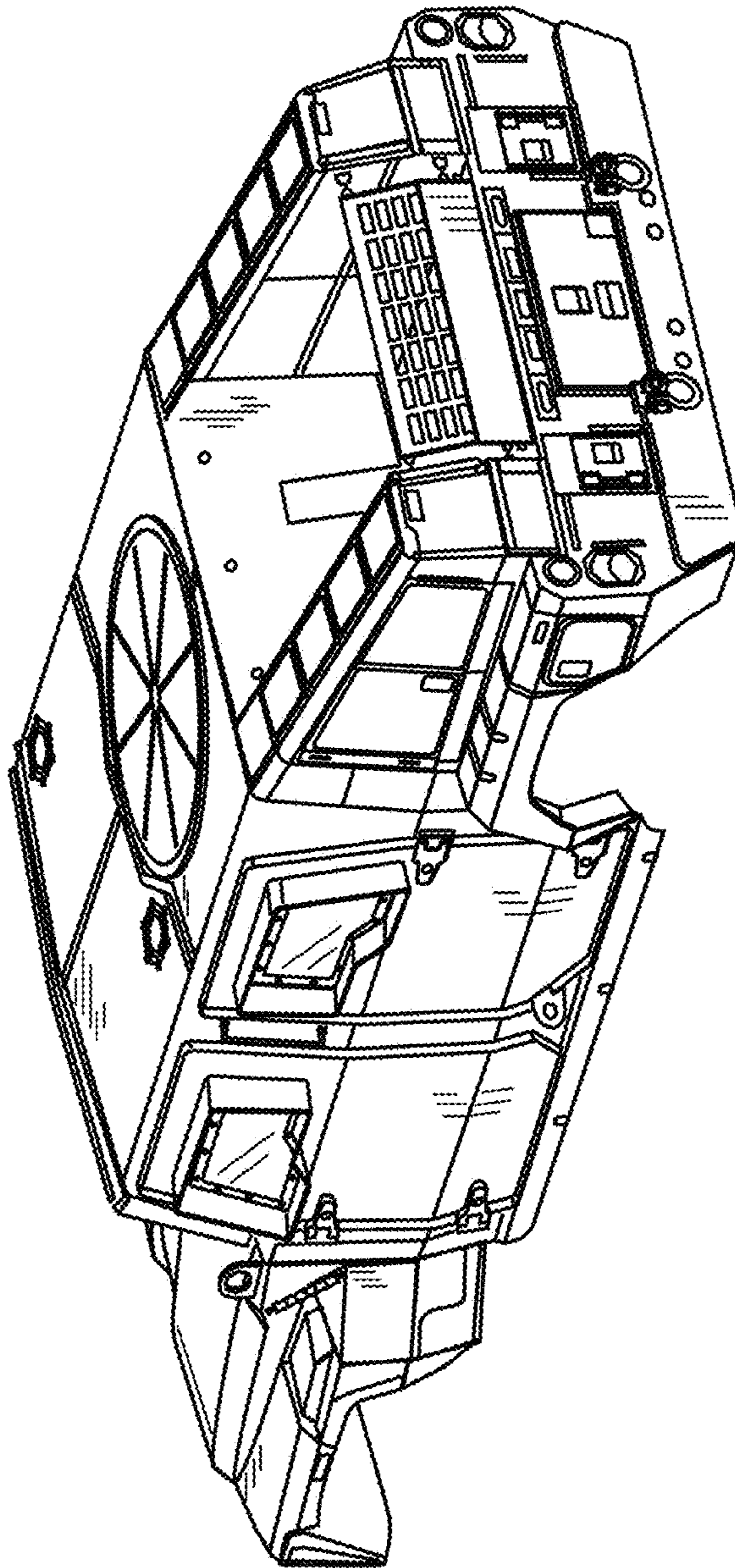


FIG. 2

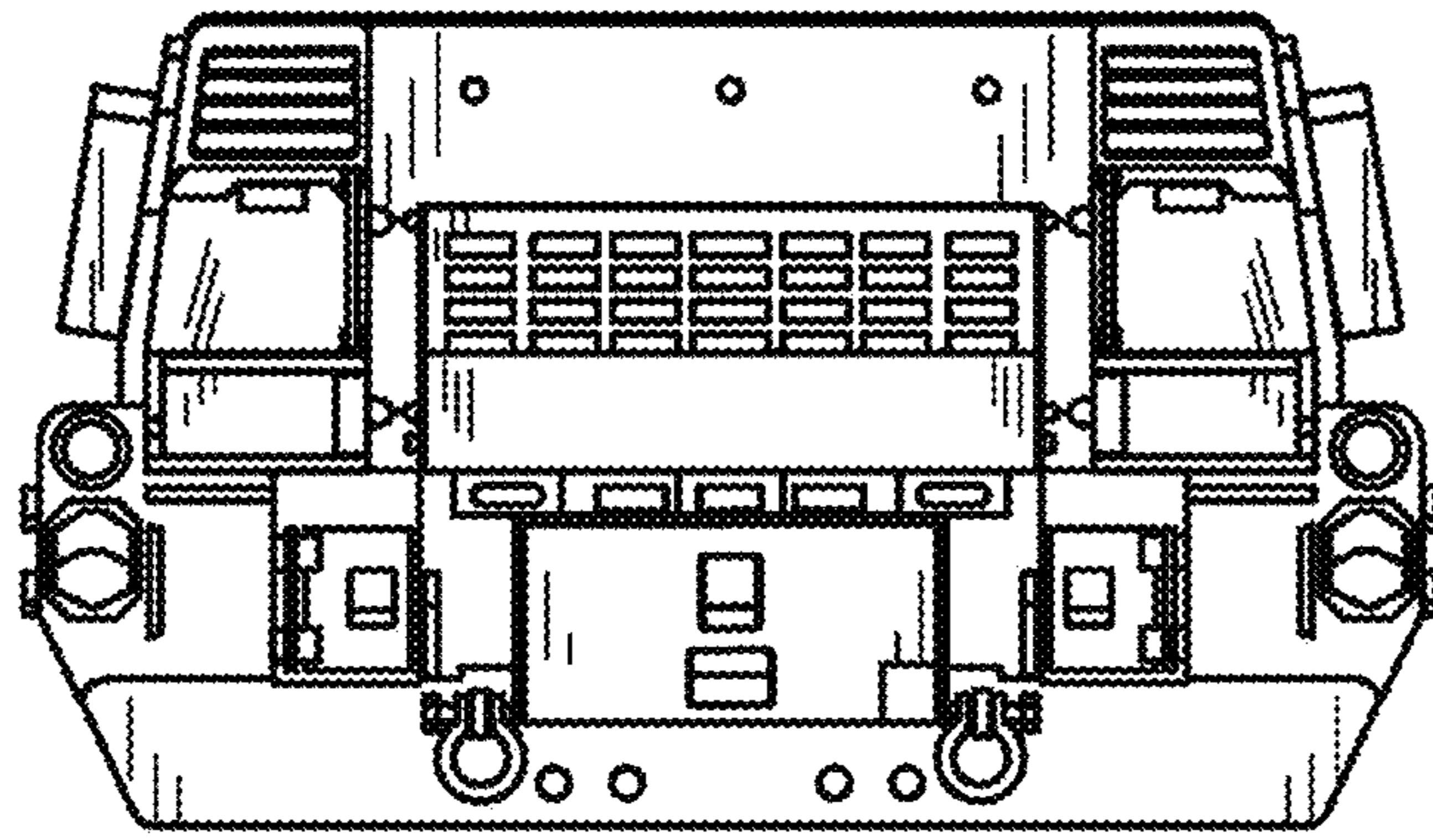


FIG. 3

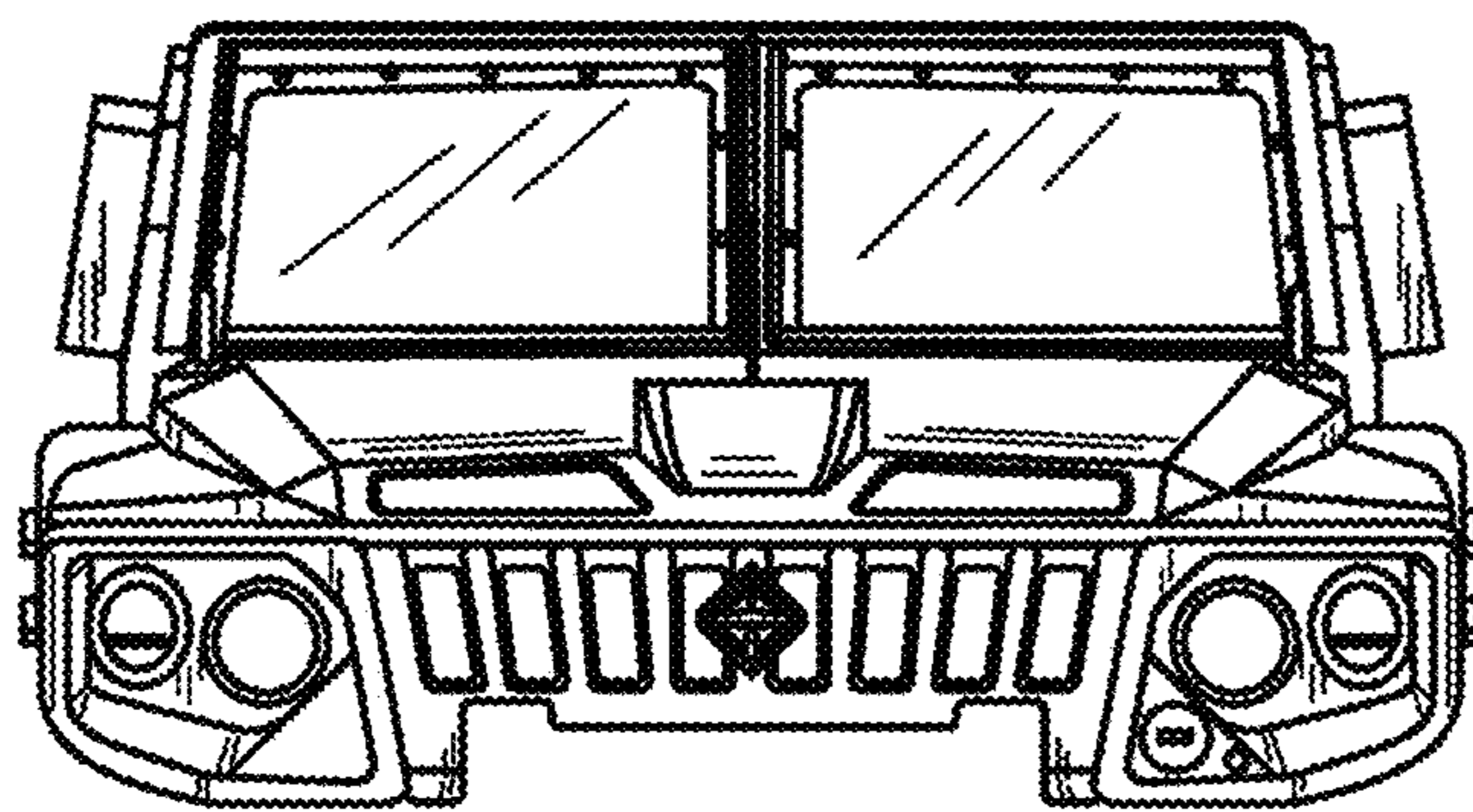


FIG. 4

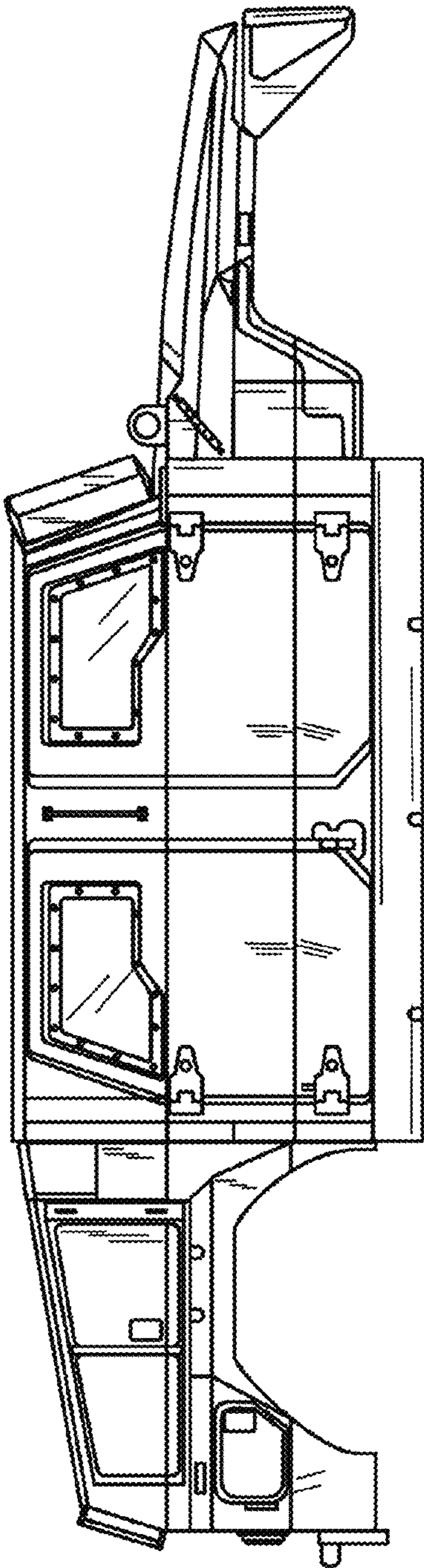


FIG. 5

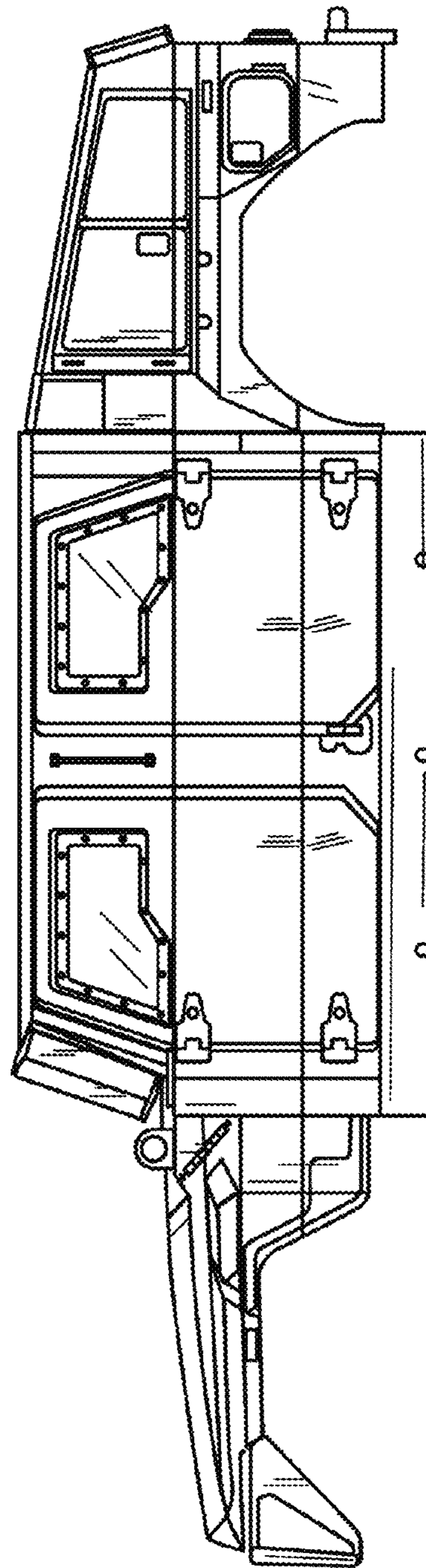


FIG. 6

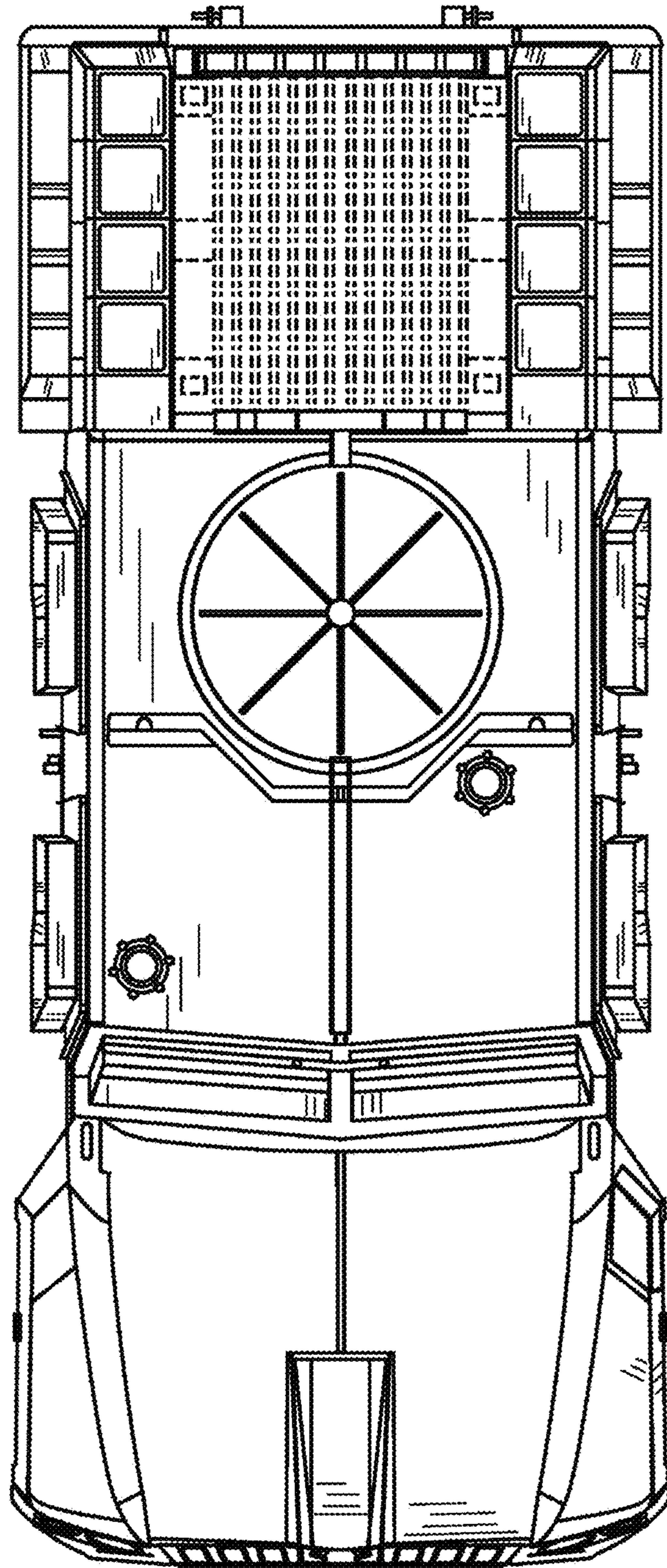


FIG. 7