



US00D703097S

(12) **United States Design Patent**
Nanbu et al.

(10) **Patent No.:** **US D703,097 S**
(45) **Date of Patent:** **** Apr. 22, 2014**

(54) **BELT ADJUSTER**

(56) **References Cited**

(71) Applicant: **YKK Corporation**, Tokyo (JP)

U.S. PATENT DOCUMENTS

(72) Inventors: **Madoka Nanbu**, Toyama (JP); **Yu Hashimoto**, Tokyo (JP)

D352,254 S *	11/1994	Prosser	D11/218
D421,578 S *	3/2000	Anscher	D11/218
D458,870 S *	6/2002	Anscher	D11/218
D491,103 S *	6/2004	Uehara et al.	D11/218
D510,297 S *	10/2005	Funo et al.	D11/218
D619,497 S *	7/2010	Paik	D11/218

(73) Assignee: **YKK Corporation** (JP)

* cited by examiner

(**) Term: **14 Years**

Primary Examiner — Ralf Seifert

(21) Appl. No.: **29/446,773**

(74) *Attorney, Agent, or Firm* — Kilpatrick Townsend & Stockton LLP

(22) Filed: **Feb. 27, 2013**

(30) **Foreign Application Priority Data**

(57) **CLAIM**

The ornamental design for a belt adjuster, as shown and described.

Aug. 28, 2012 (JP) 2012-020573

DESCRIPTION

(51) **LOC (10) Cl.** **02-07**

FIG. 1 is a perspective view of the front, bottom and right side of a belt adjuster showing my (our) new design;
FIG. 2 is a front view thereof;
FIG. 3 is a rear view thereof;
FIG. 4 is a right side view thereof, the left side view being mirror image thereof;
FIG. 5 is a top plan view thereof; and,
FIG. 6 is a bottom view thereof.

(52) **U.S. Cl.**

USPC **D11/218**

(58) **Field of Classification Search**

USPC D11/1-2, 200-201, 206-210, 214-218;
24/163 R, 169-171, 173, 177-179, 191,
24/194-195, 197, 200, 614-616, 625, 198,
24/578.11, 578.1, 163 K, 114; D22/108

See application file for complete search history.

1 Claim, 5 Drawing Sheets



Fig. 1



Fig. 2

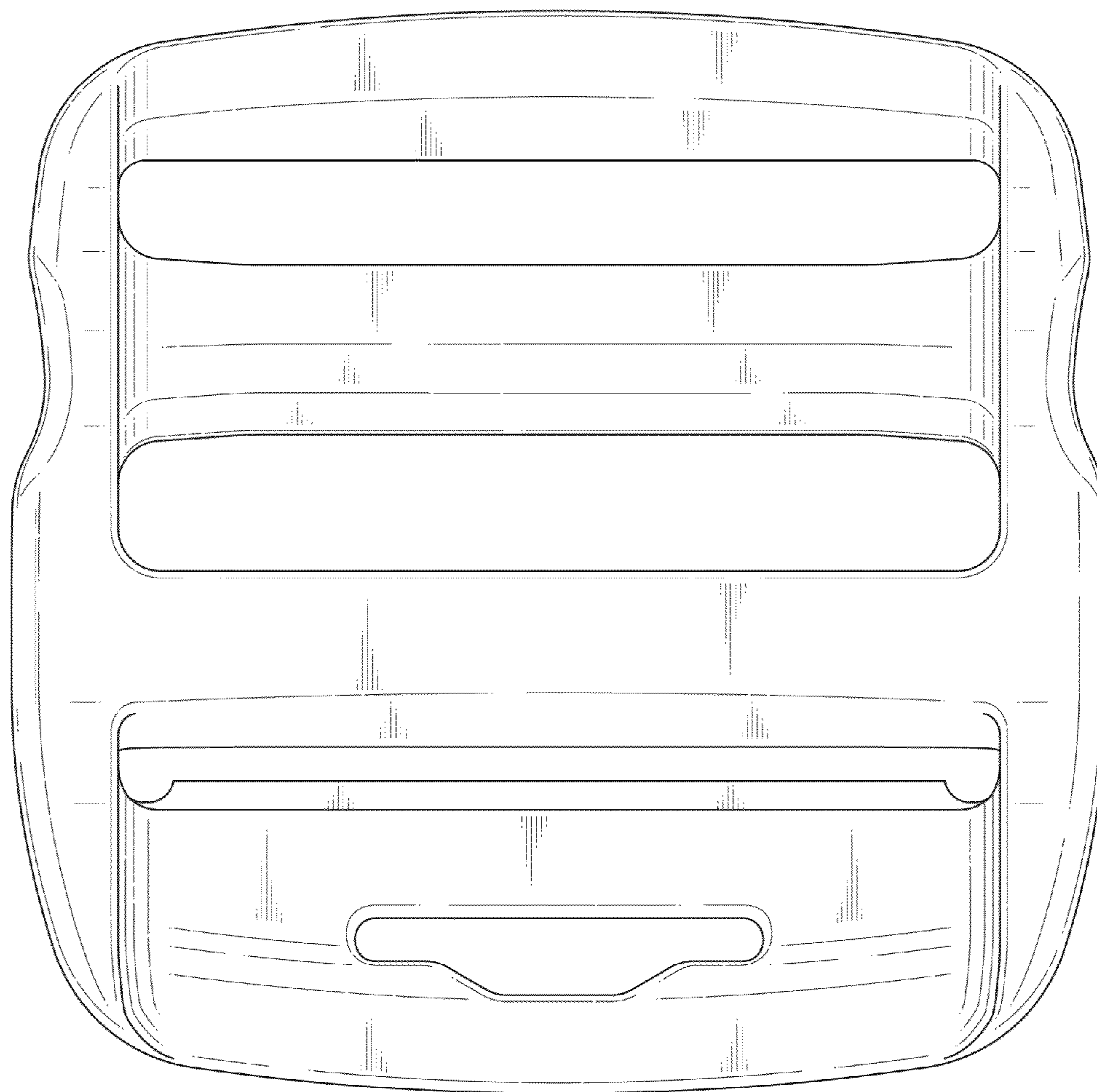


Fig. 3

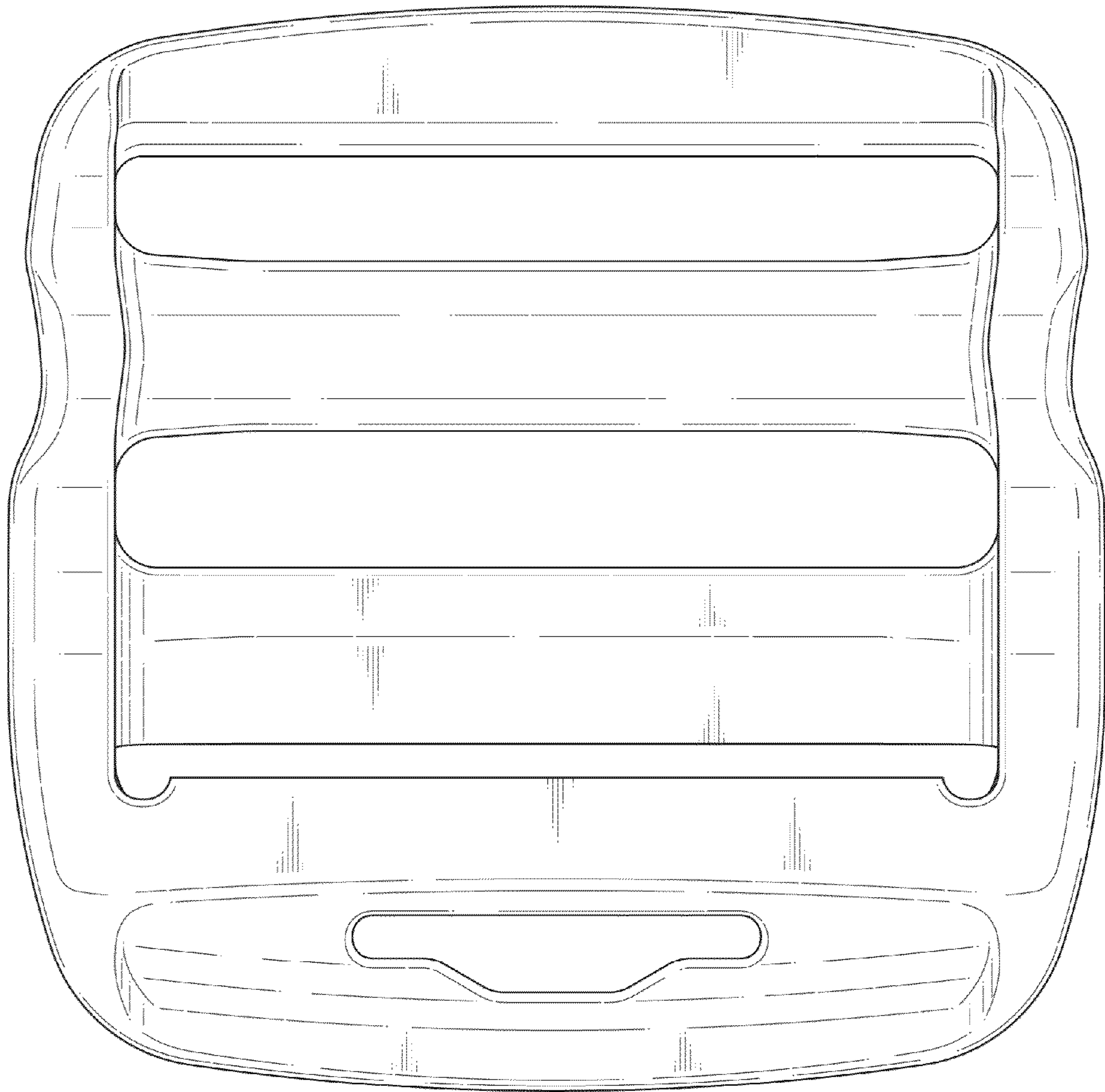


Fig. 4

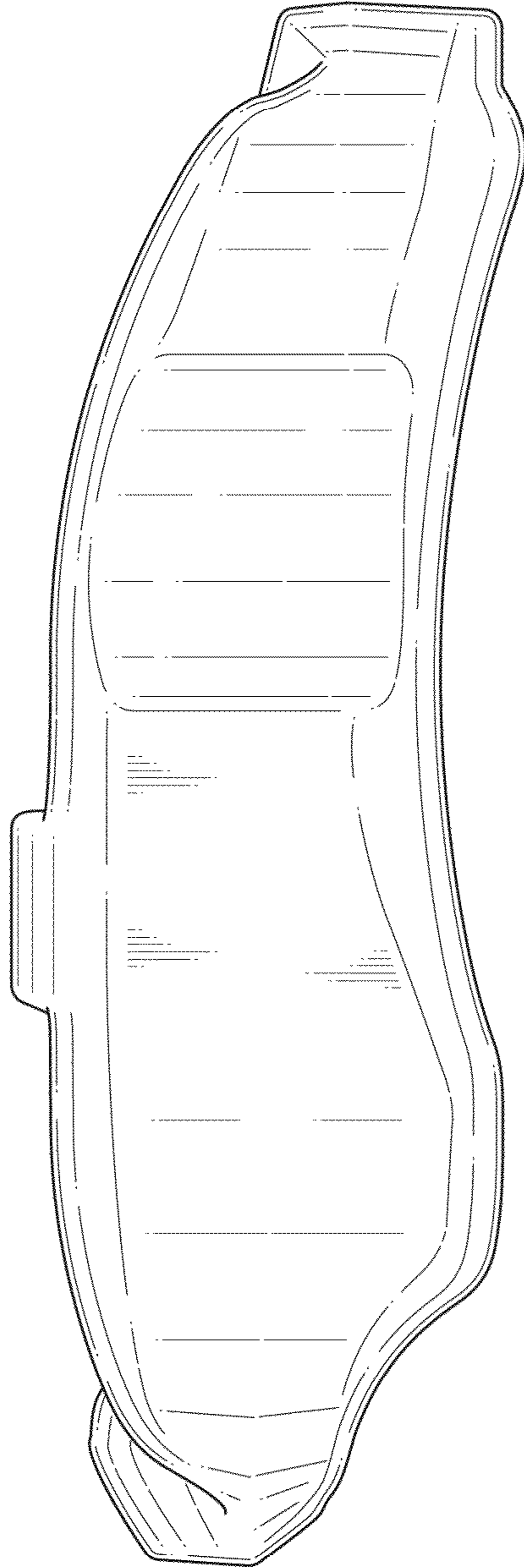


Fig. 5

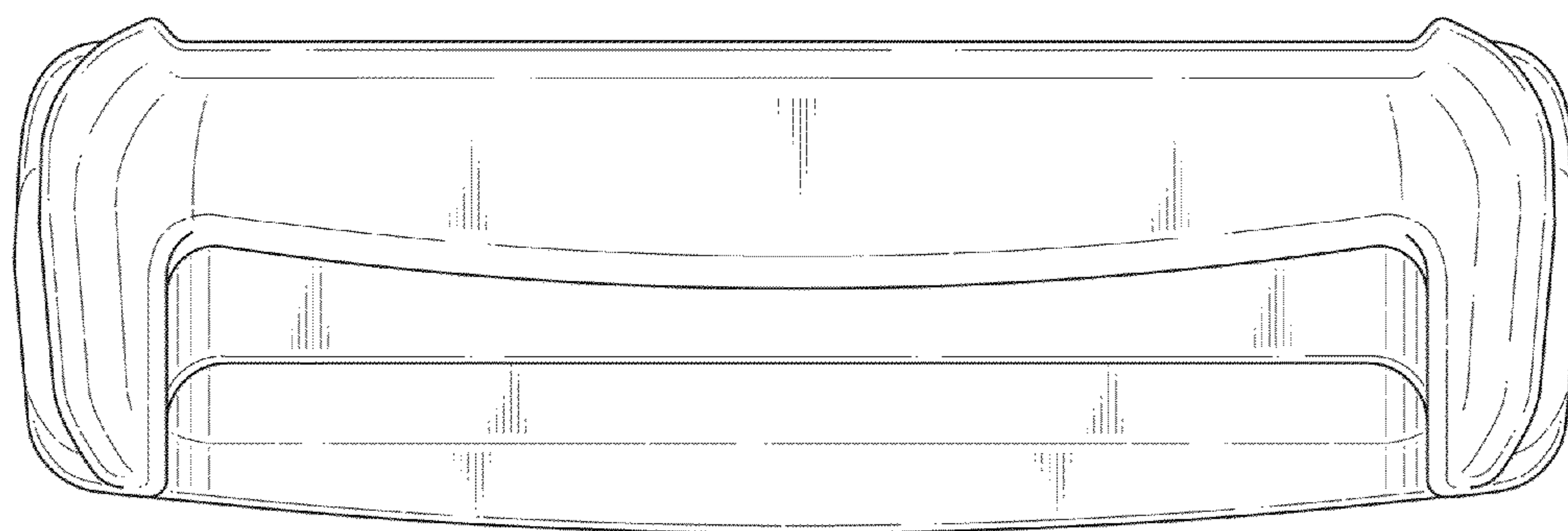


Fig. 6

