



US00D703090S

(12) **United States Design Patent**  
**Dholakiya**

(10) **Patent No.:** **US D703,090 S**

(45) **Date of Patent:** **\*\* Apr. 22, 2014**

(54) **GEMSTONE SETTING**

(76) Inventor: **Hasmukh Dholakiya**, North Bergen, NJ  
(US)

(\*\*) Term: **14 Years**

(21) Appl. No.: **29/414,873**

(22) Filed: **Mar. 5, 2012**

(51) **LOC (10) Cl.** ..... **11-01**

(52) **U.S. Cl.**  
USPC ..... **D11/91**

(58) **Field of Classification Search**  
USPC ..... D11/1, 2, 86-91, 34-43, 79, 80, 222,  
D11/47, 75, 26-33, 56, 92; 63/12, 13, 14,  
63/18, 26-28, 29.1, 29.2, 31, 32, 1.11, 30  
See application file for complete search history.

(56) **References Cited**

**U.S. PATENT DOCUMENTS**

D549,612 S *	8/2007	Kothari	.....	D11/91
D553,543 S *	10/2007	Kothari	.....	D11/92
7,461,452 B1 *	12/2008	Kothari	.....	63/28
D587,159 S *	2/2009	Dholakiya	.....	D11/91
7,762,104 B2 *	7/2010	Lin	.....	63/28
D641,651 S *	7/2011	Kothari	.....	D11/91
D642,087 S *	7/2011	Kothari	.....	D11/91
D643,327 S *	8/2011	Kothari	.....	D11/91
D643,767 S *	8/2011	Kothari	.....	D11/34
D647,817 S *	11/2011	Kothari	.....	D11/91
D648,650 S *	11/2011	Roehl et al.	.....	D11/91
D648,651 S *	11/2011	Sin	.....	D11/91
D650,308 S *	12/2011	Roehl et al.	.....	D11/91
D654,394 S *	2/2012	Kothari	.....	D11/91
D655,219 S *	3/2012	Kothari	.....	D11/91
D672,269 S *	12/2012	Wong et al.	.....	D11/91
D677,599 S *	3/2013	Dholakiya	.....	D11/91
D680,026 S *	4/2013	Wong et al.	.....	D11/91
D680,896 S *	4/2013	Wong et al.	.....	D11/91

D680,897 S *	4/2013	Li	.....	D11/91
D680,898 S *	4/2013	Dholakiya	.....	D11/91
2009/0056376 A1 *	3/2009	Lin	.....	63/28

\* cited by examiner

*Primary Examiner* — Jennifer Rivard

*Assistant Examiner* — Melanie Pellegrini

(74) *Attorney, Agent, or Firm* — Jennifer Meredith, Esq.;  
Meredith & Keyhani, PLLC

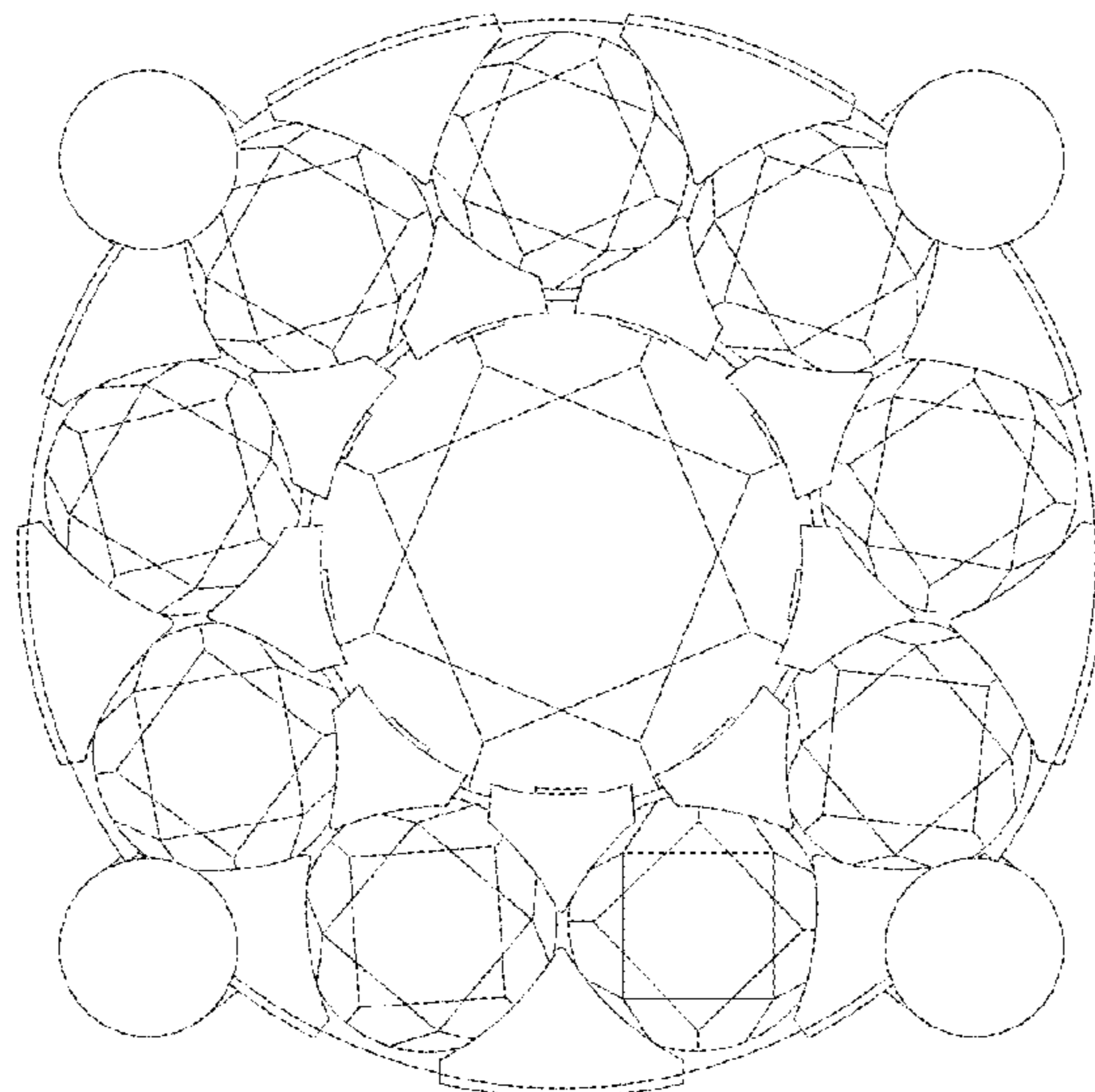
(57) **CLAIM**

I claim the ornamental design for the gemstone setting, as shown and described.

**DESCRIPTION**

FIG. 1 is a top plan view of a gemstone setting showing my new design;  
 FIG. 2 is a bottom plan view thereof;  
 FIG. 3 is a side elevational view thereof;  
 FIG. 4 is an opposite side elevational view of FIG. 3;  
 FIG. 5 is a top perspective view thereof;  
 FIG. 6 is another top perspective view thereof;  
 FIG. 7 is an additional top perspective view thereof;  
 FIG. 8 is a top perspective view with the gemstones removed for completeness of illustration;  
 FIG. 9 is a top perspective view thereof shown in an alternate environment;  
 FIG. 10 is a top perspective view thereof shown in an alternate environment; and,  
 FIG. 11 is a side perspective view thereof shown in an alternate environment.  
 The broken lines shown in FIG. 2 represent unclaimed portions of the design and the broken lines shown in FIGS. 9-11 represent environmental matter and form no part of the claimed design.

**1 Claim, 7 Drawing Sheets**



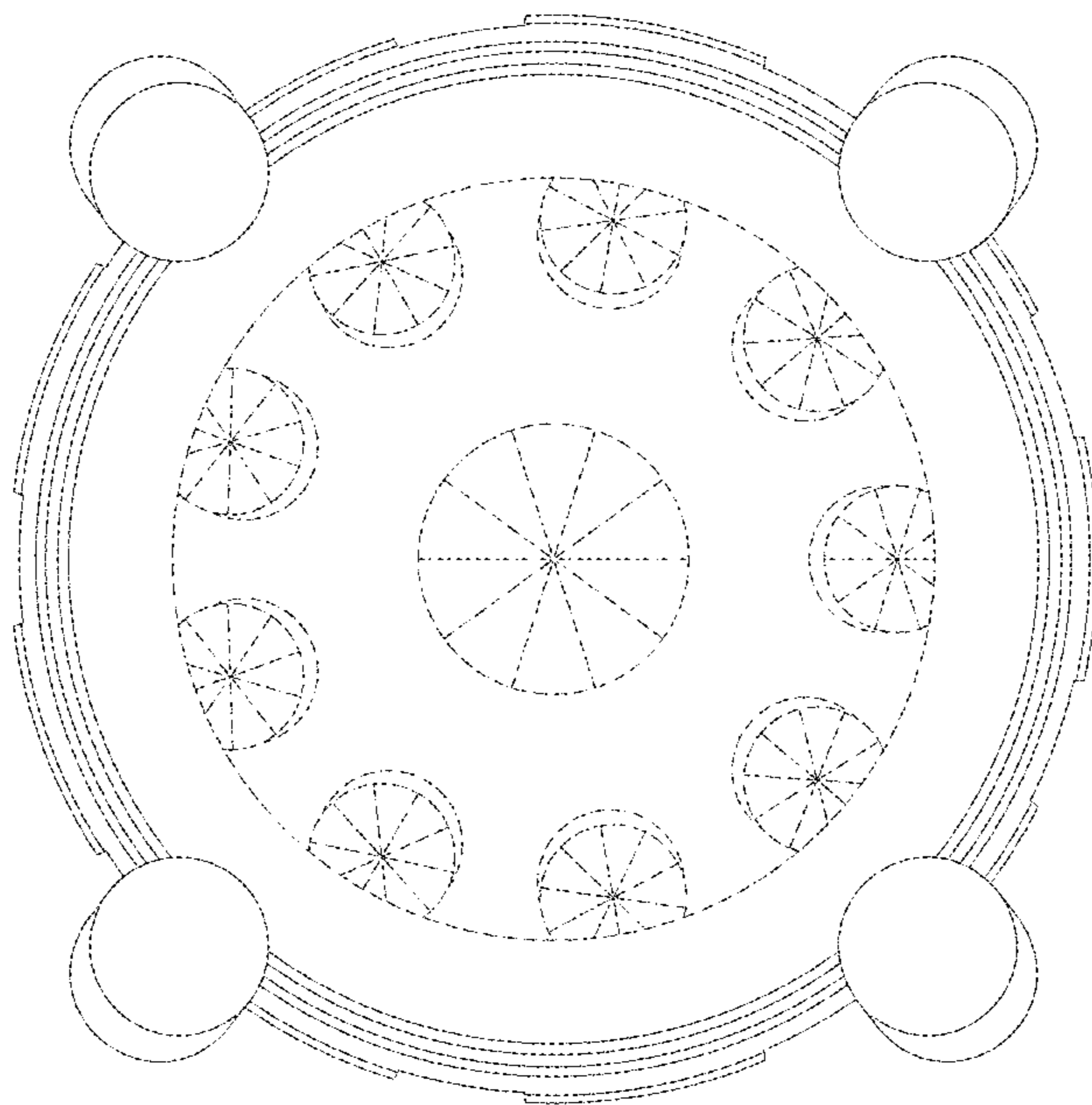


FIG. 2

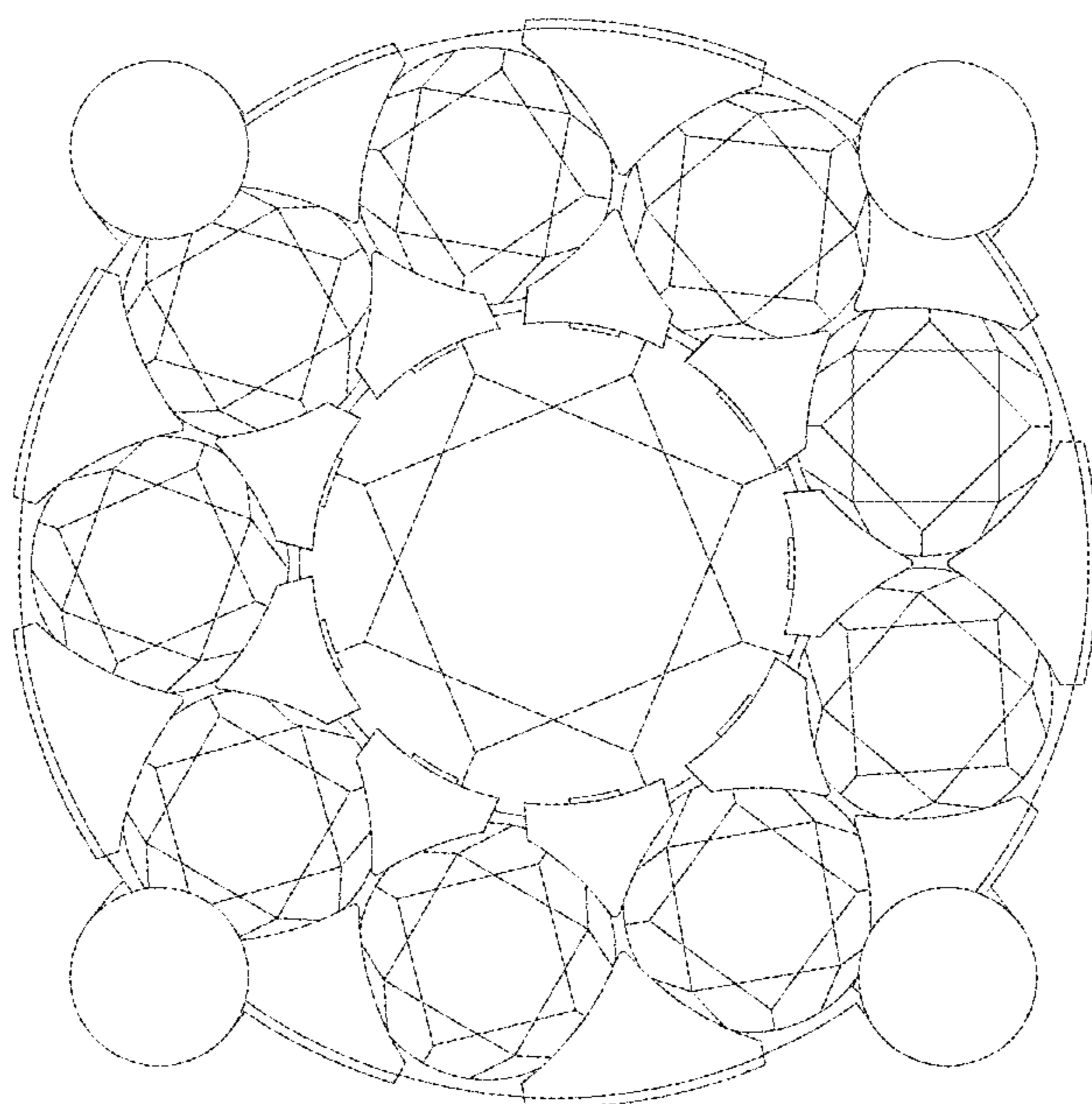


FIG. 1

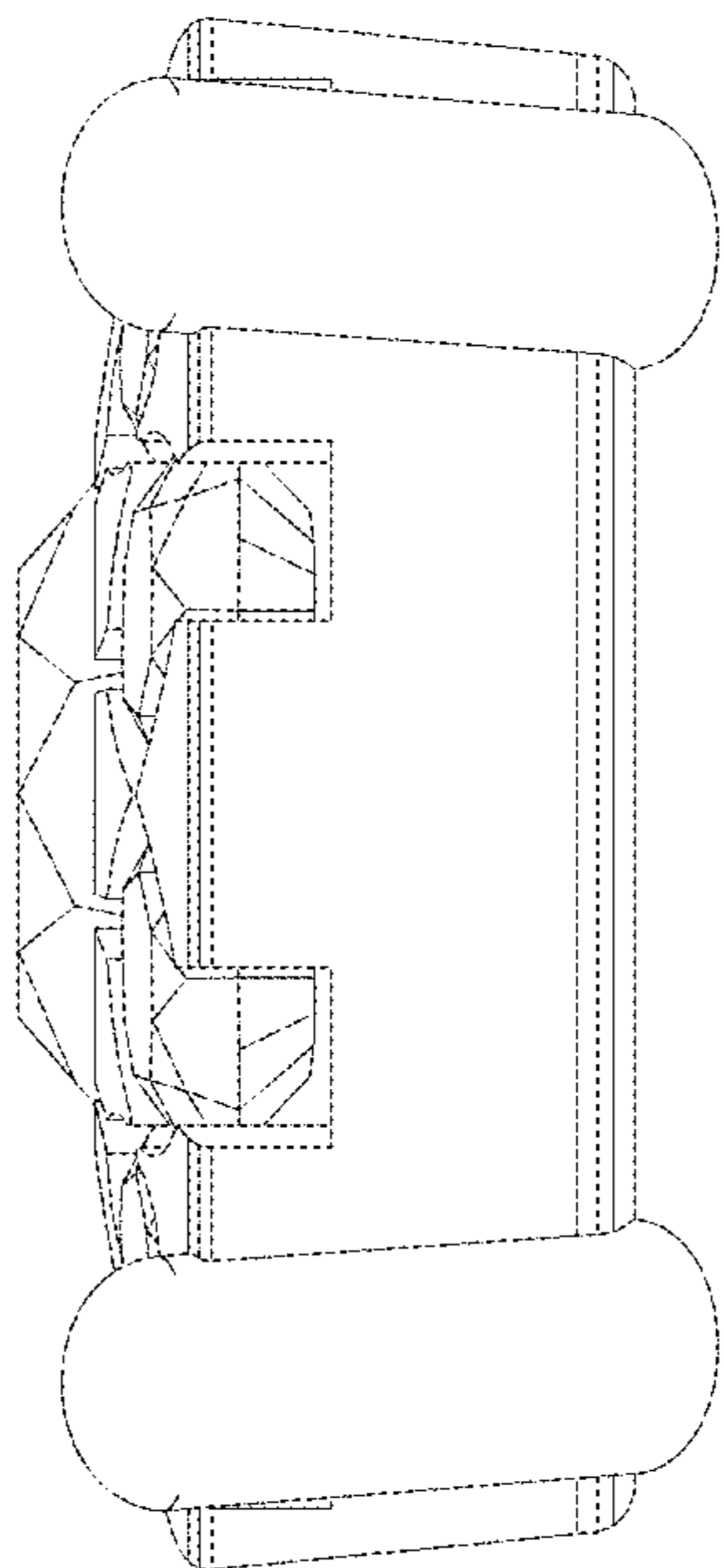


FIG. 3

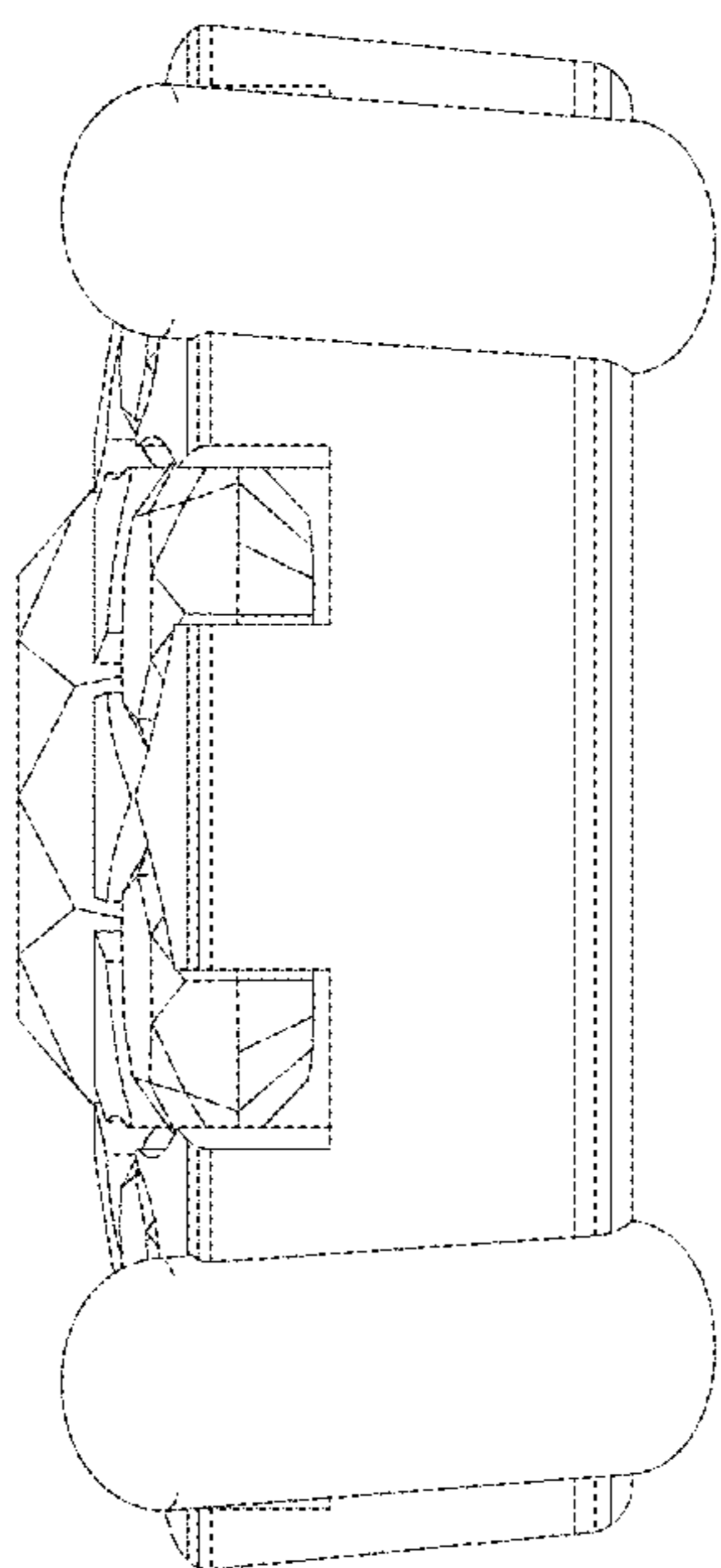


FIG. 4

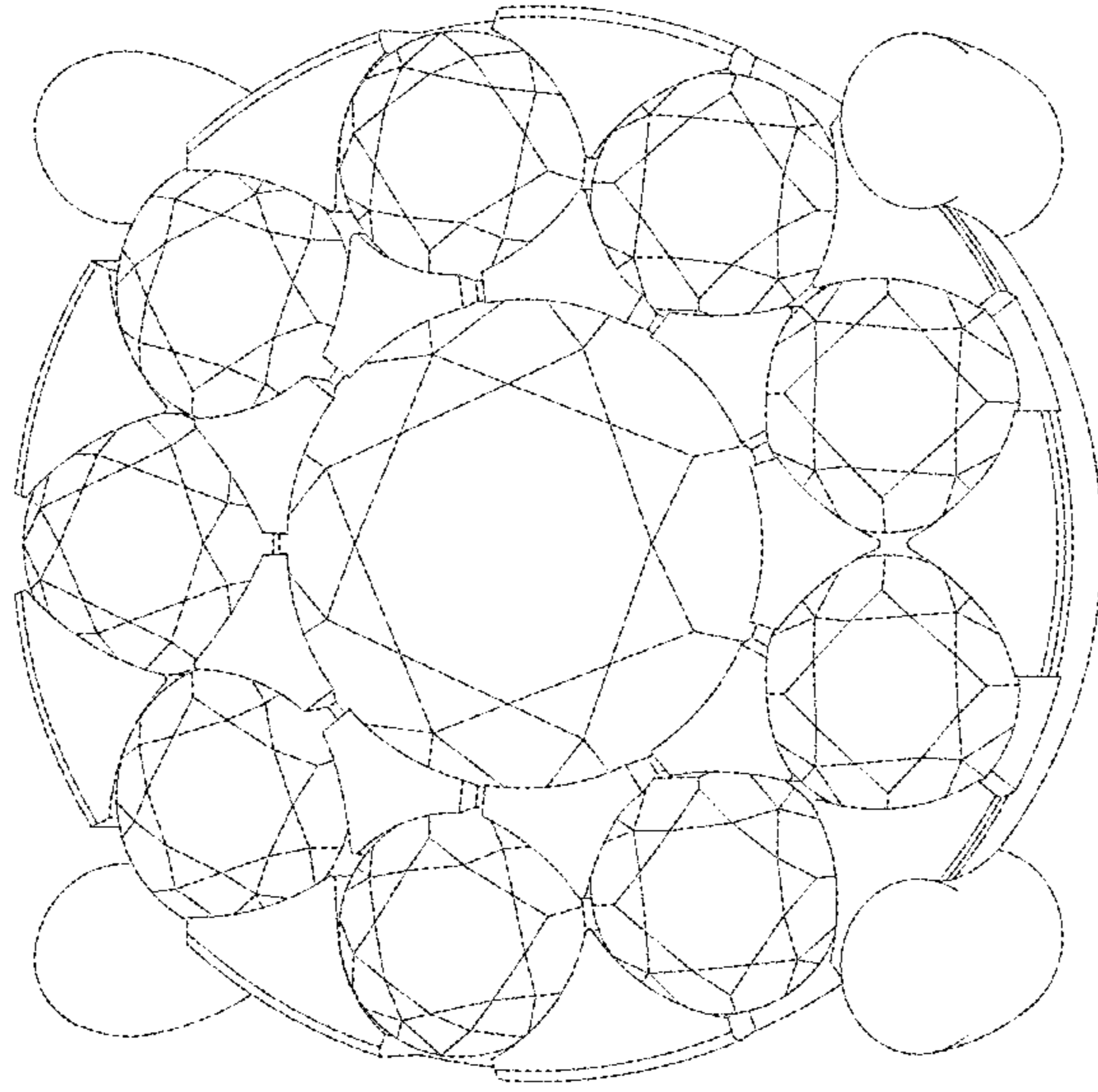


FIG. 6

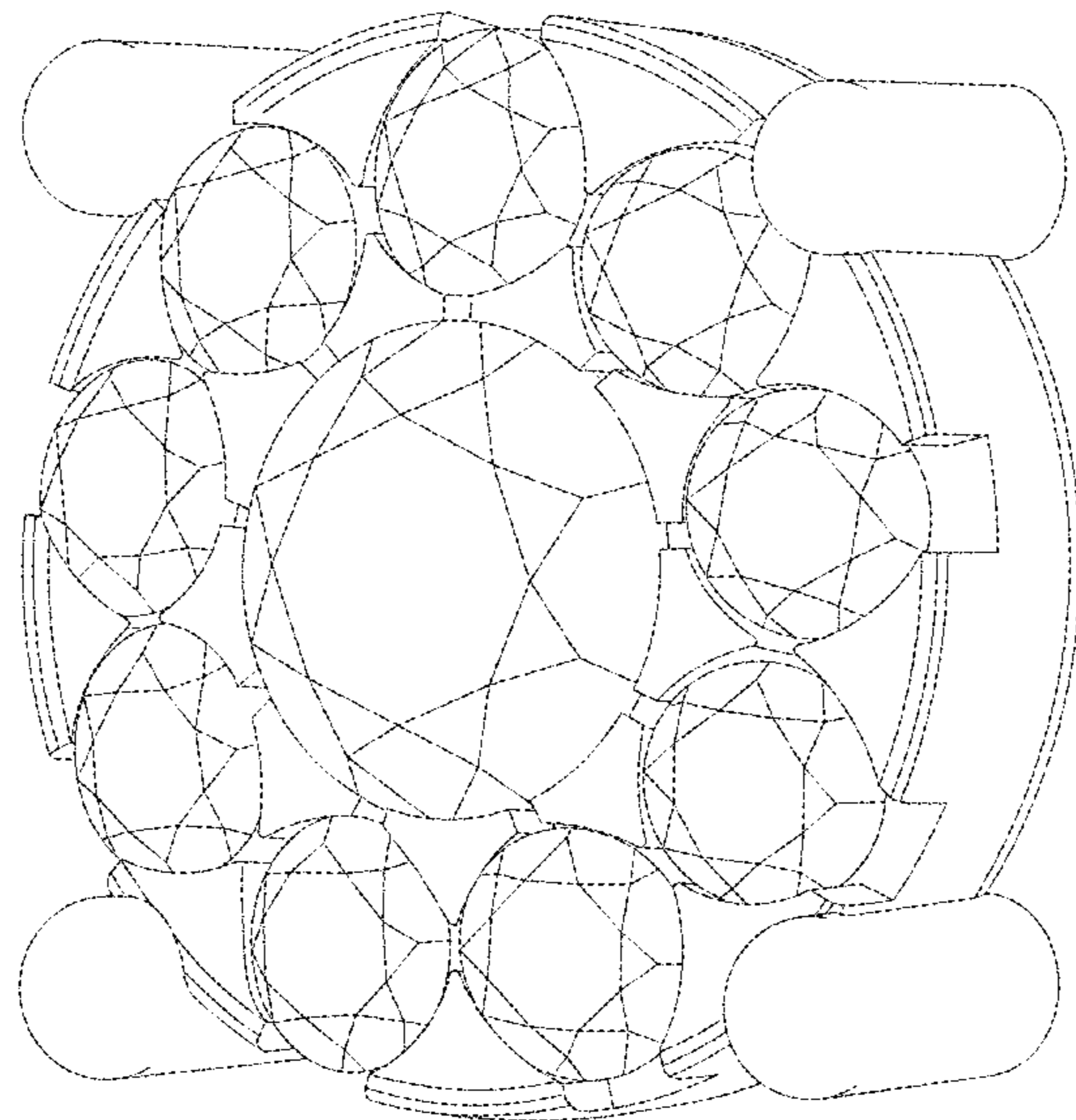


FIG. 5

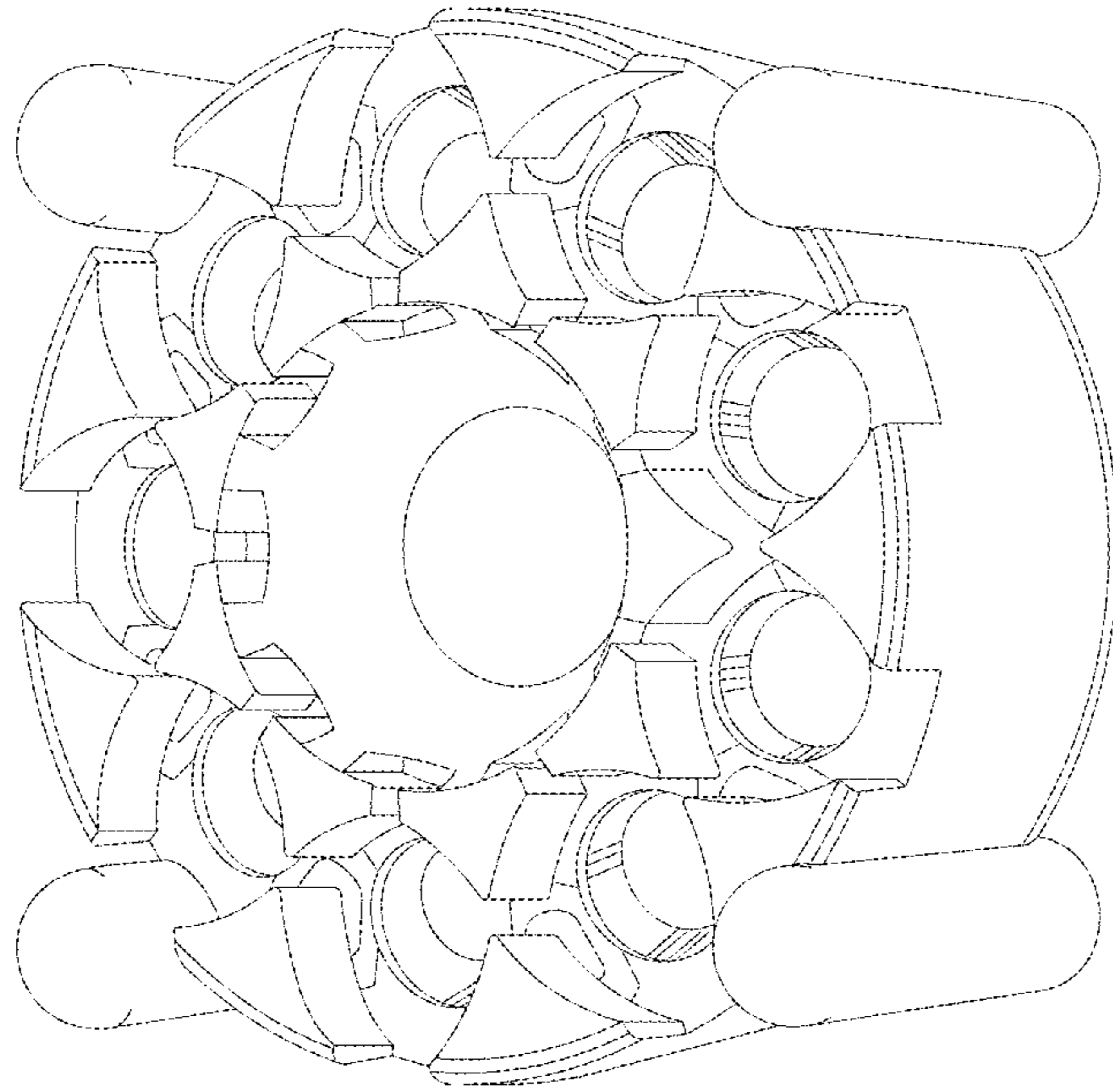


FIG. 8

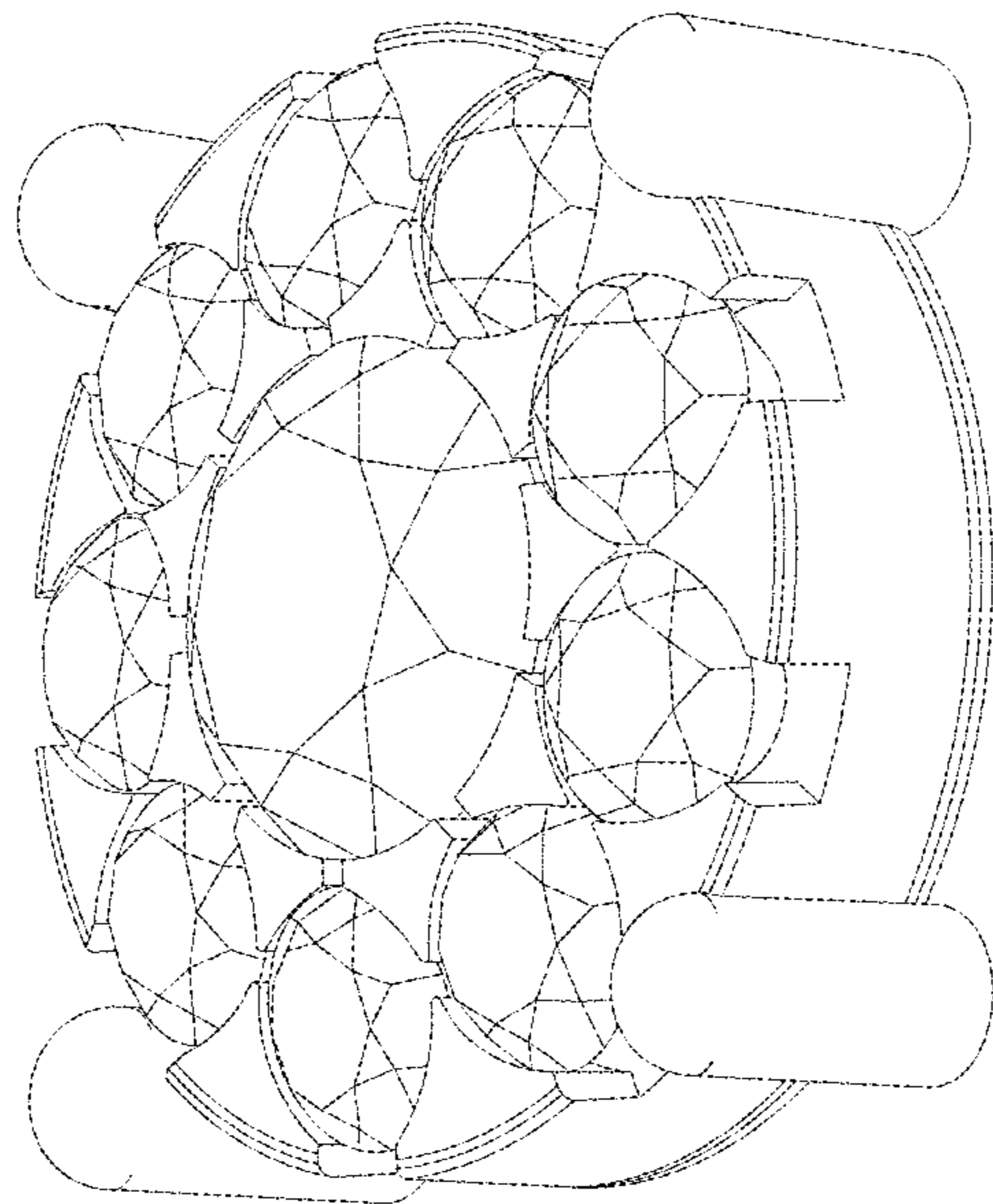


FIG. 7

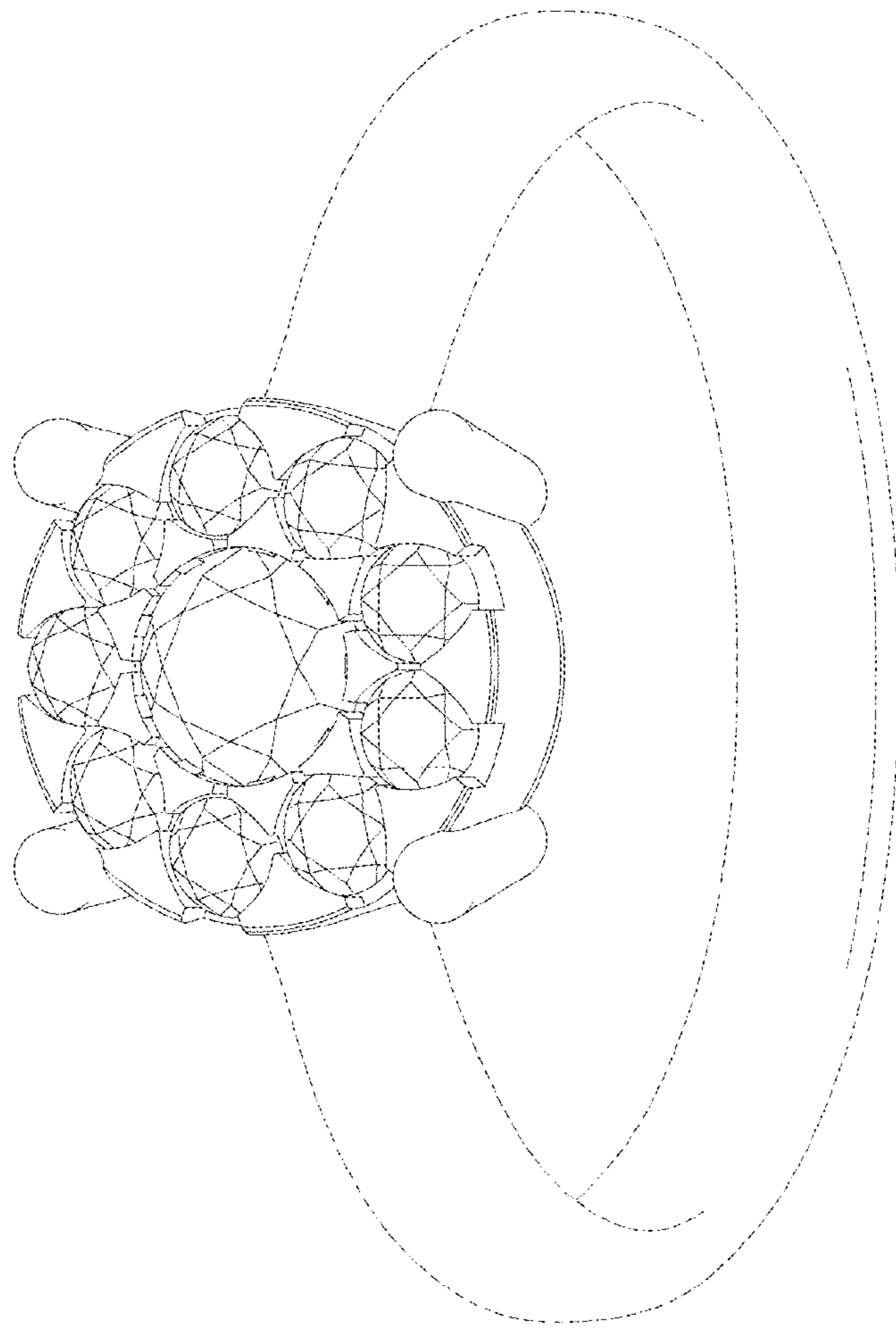


FIG. 9

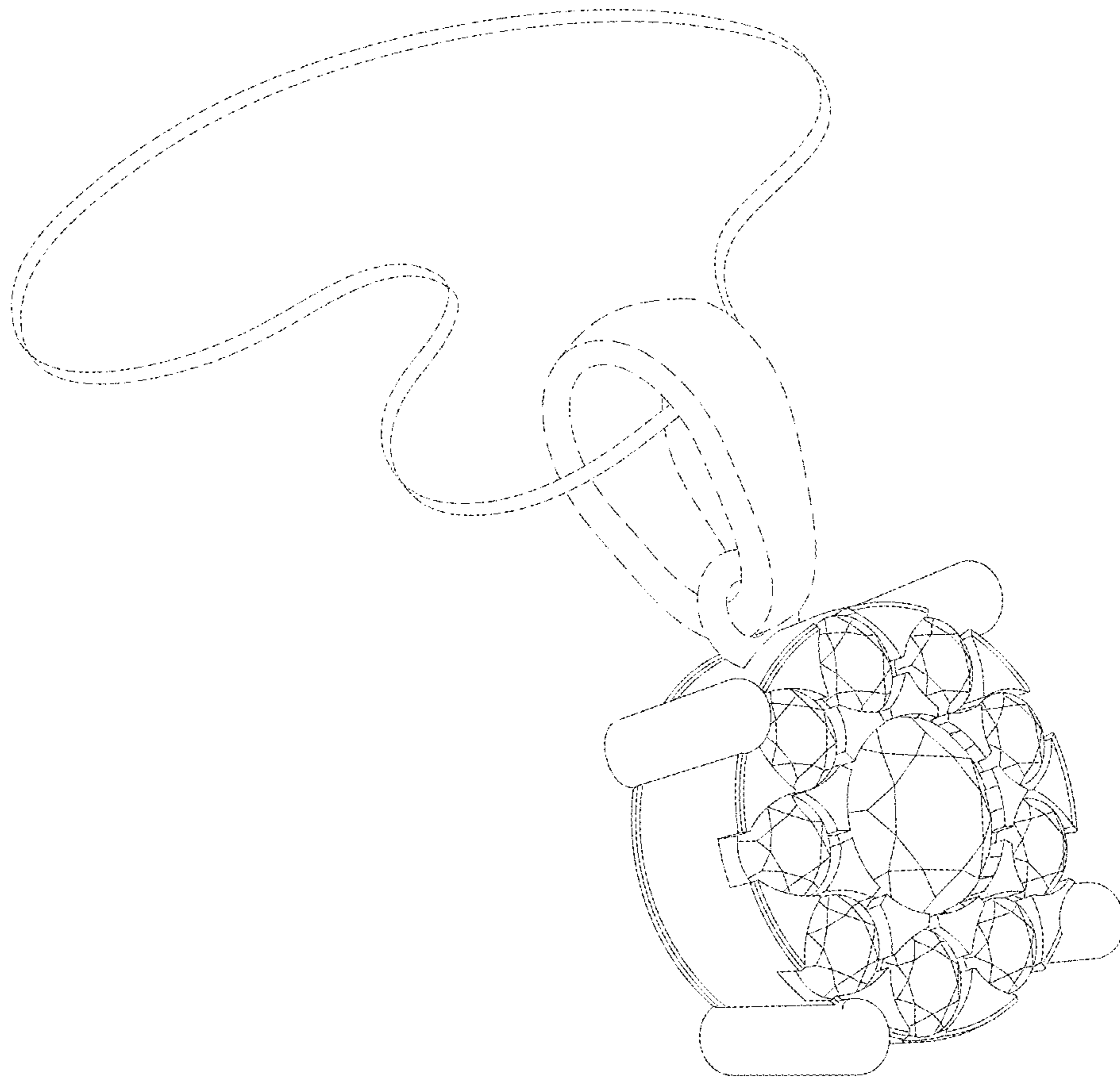


FIG. 10

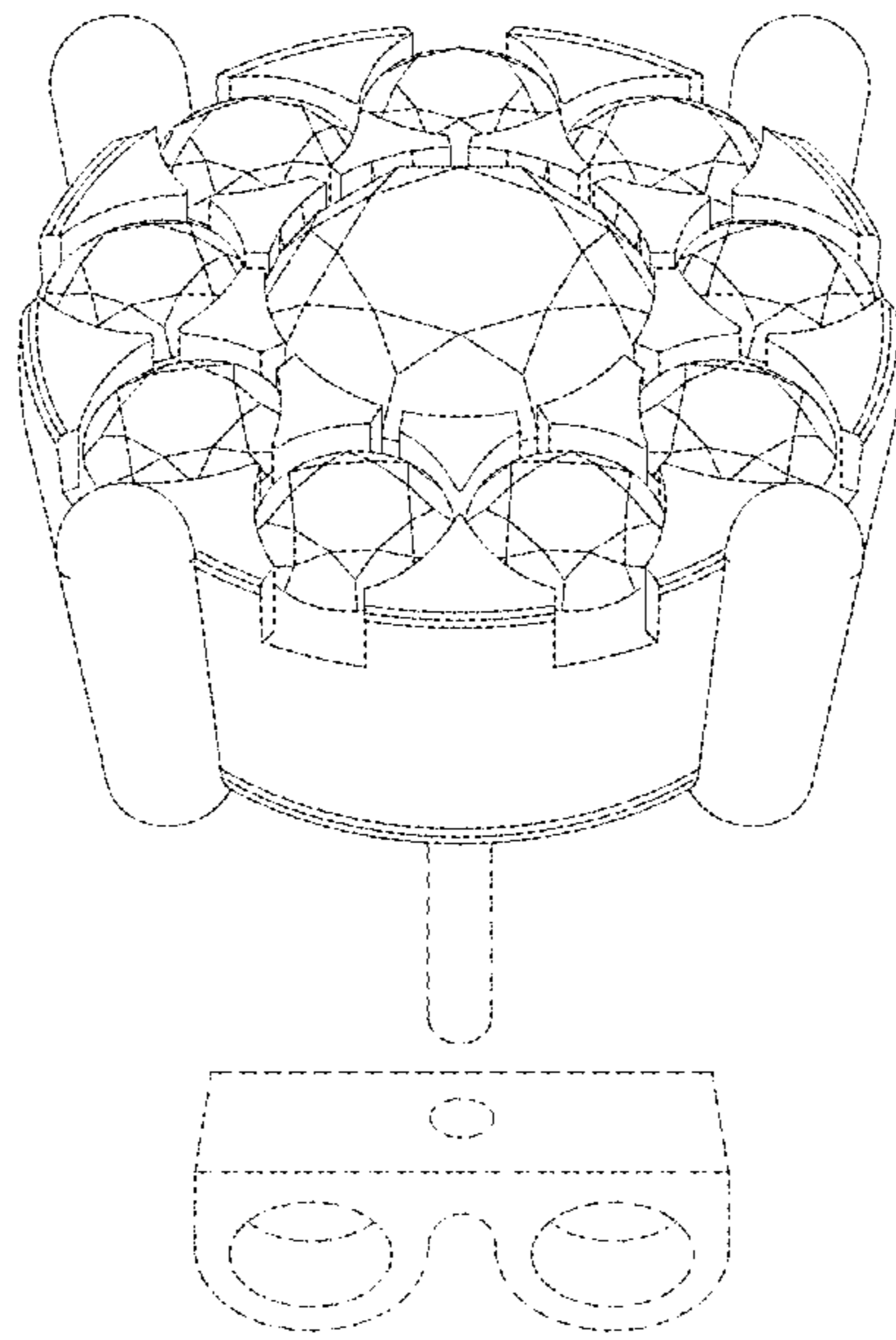


FIG. 11