



US00D703089S

(12) **United States Design Patent**  
**Grainger**

(10) **Patent No.:** **US D703,089 S**

(45) **Date of Patent:** **\*\* Apr. 22, 2014**

(54) **CHAMBER ASSEMBLY FOR JEWELRY**

(71) Applicant: **Geneva Grainger**, Austin, TX (US)

(72) Inventor: **Geneva Grainger**, Austin, TX (US)

(\*\*) Term: **14 Years**

(21) Appl. No.: **29/456,315**

(22) Filed: **May 30, 2013**

(51) **LOC (10) Cl.** ..... **11-01**

(52) **U.S. Cl.**  
USPC ..... **D11/86**

(58) **Field of Classification Search**  
USPC ..... D11/1-2, 7, 40-44, 46-49, 53, 56, 57,  
D11/59-61, 63, 65, 79-83, 86-87, 89-90,  
D11/91-92, 99, 101, 106, 114-116,  
D11/200-201; 63/3, 3.1, 12-14.9  
See application file for complete search history.

(56) **References Cited**

**U.S. PATENT DOCUMENTS**

3,192,737	A *	7/1965	Schechter et al.	63/1.11
3,605,437	A *	9/1971	Litton	63/1.15
D427,379	S *	6/2000	Thorpe	D28/77
D429,658	S *	8/2000	Biagi	D11/41
D448,703	S *	10/2001	Lam	D11/200
6,427,487	B1 *	8/2002	Morgan	63/29.1
7,779,517	B1	8/2010	Stewart	
D635,885	S	4/2011	Humphries	
D676,324	S	2/2013	DeMarco	

8,464,730	B1	6/2013	Eng et al.	
8,474,284	B2 *	7/2013	Rush et al.	63/40
D691,913	S *	10/2013	Outland	D11/79

\* cited by examiner

*Primary Examiner* — Zenia Bennett

(74) *Attorney, Agent, or Firm* — Andrew W. Chu; Craft Chu PLLC

(57) **CLAIM**

The ornamental design for a chamber assembly for jewelry, as shown and described.

**DESCRIPTION**

FIG. 1 is an upper perspective view of the chamber assembly for jewelry showing my design mounted in a jewelry body as a ring in broken lines.

FIG. 2 is a top plan view thereof,

FIG. 3 is a bottom plan view thereof;

FIG. 4 is an exploded perspective view of the chamber assembly;

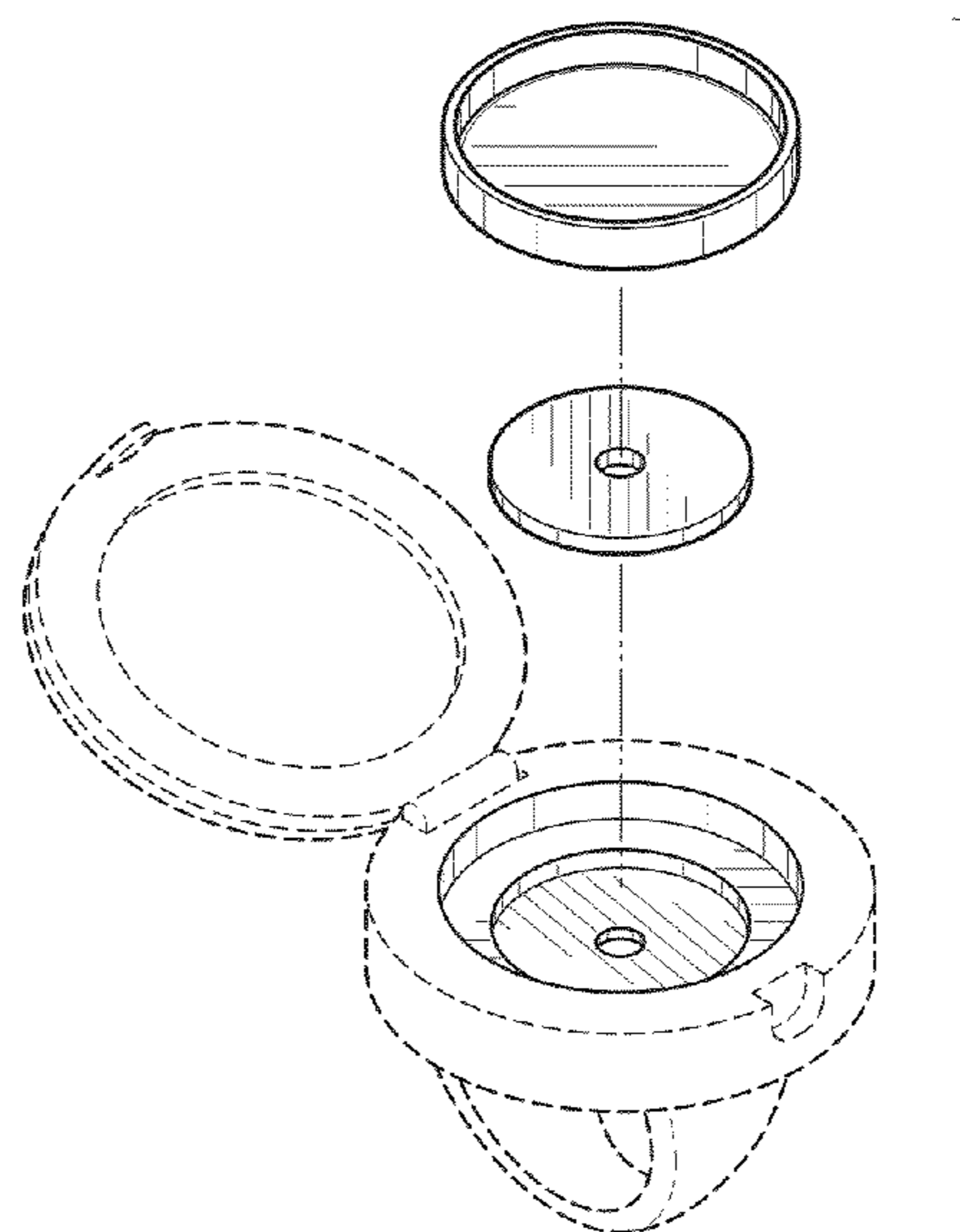
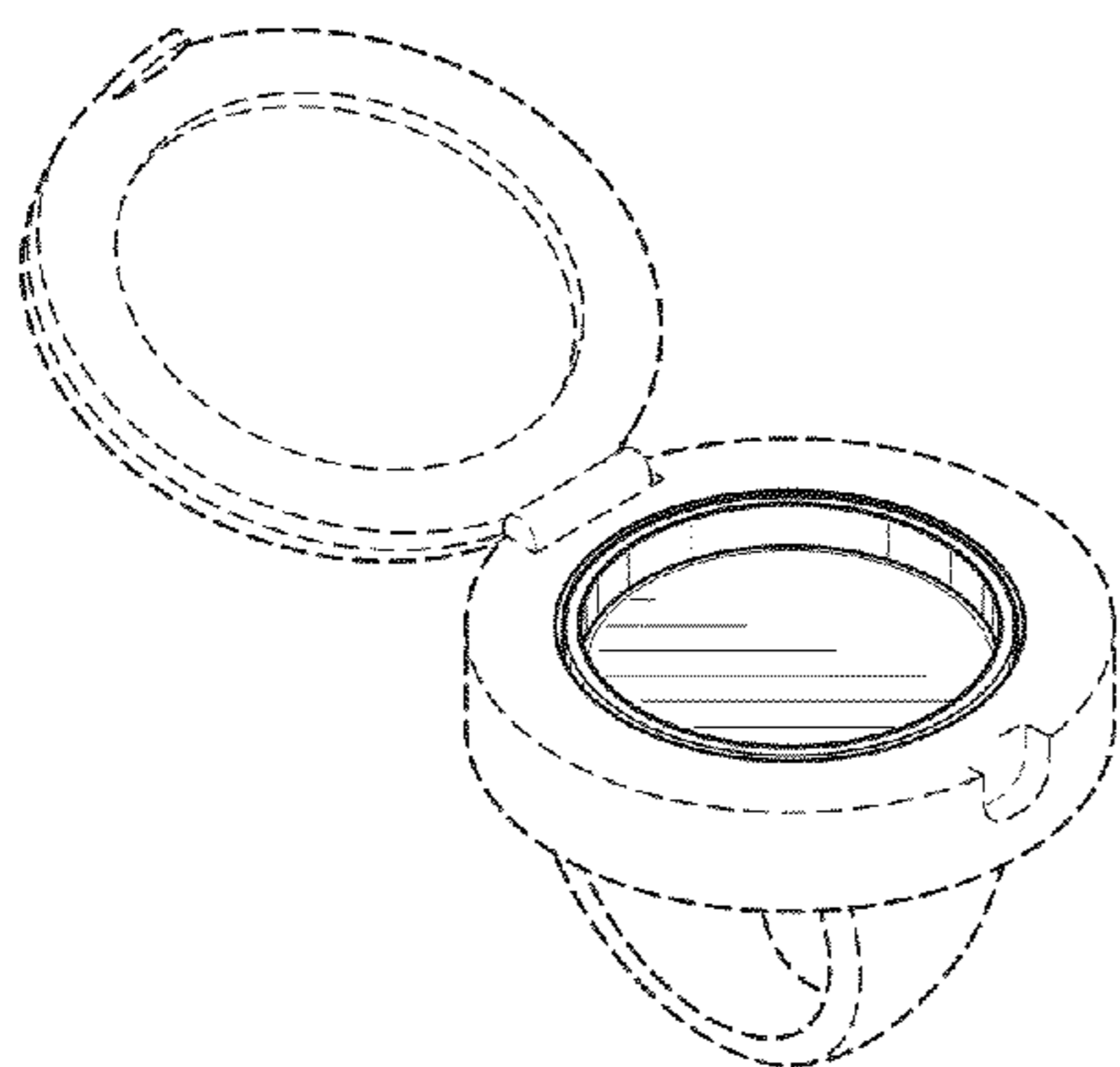
FIG. 5 is another upper perspective view thereof, showing a different jewelry body as a different ring and different closure in broken lines;

FIG. 6 is another top plan view thereof, showing another different jewelry body as a pendant in broken lines; and,

FIG. 7 is still another upper perspective view thereof, showing still another different jewelry body as a bracelet and another different closure in broken lines.

Features and portions in broken lines are presented for illustrative purposes and form no part of the claimed design.

**1 Claim, 2 Drawing Sheets**



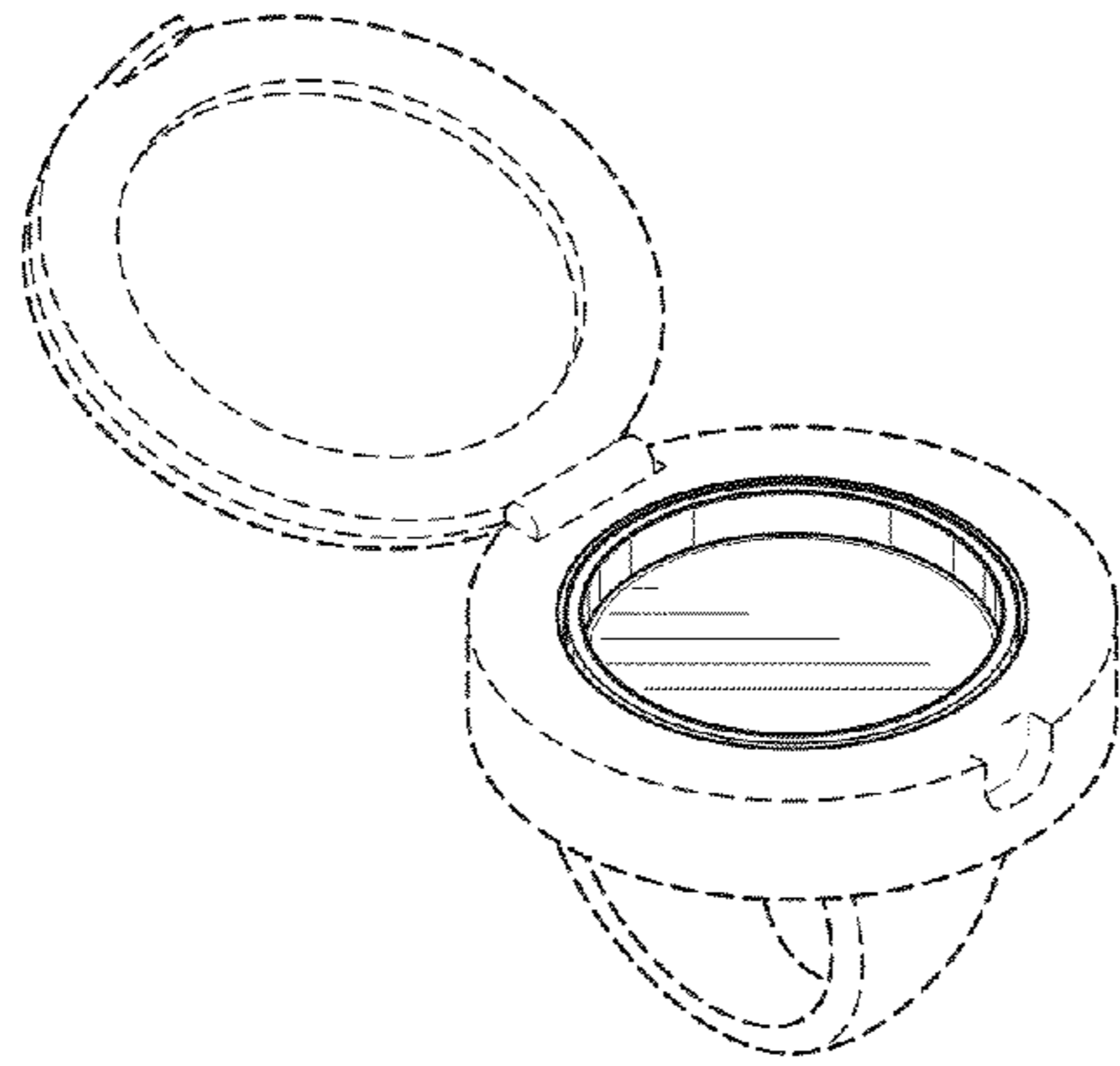


FIG. 1

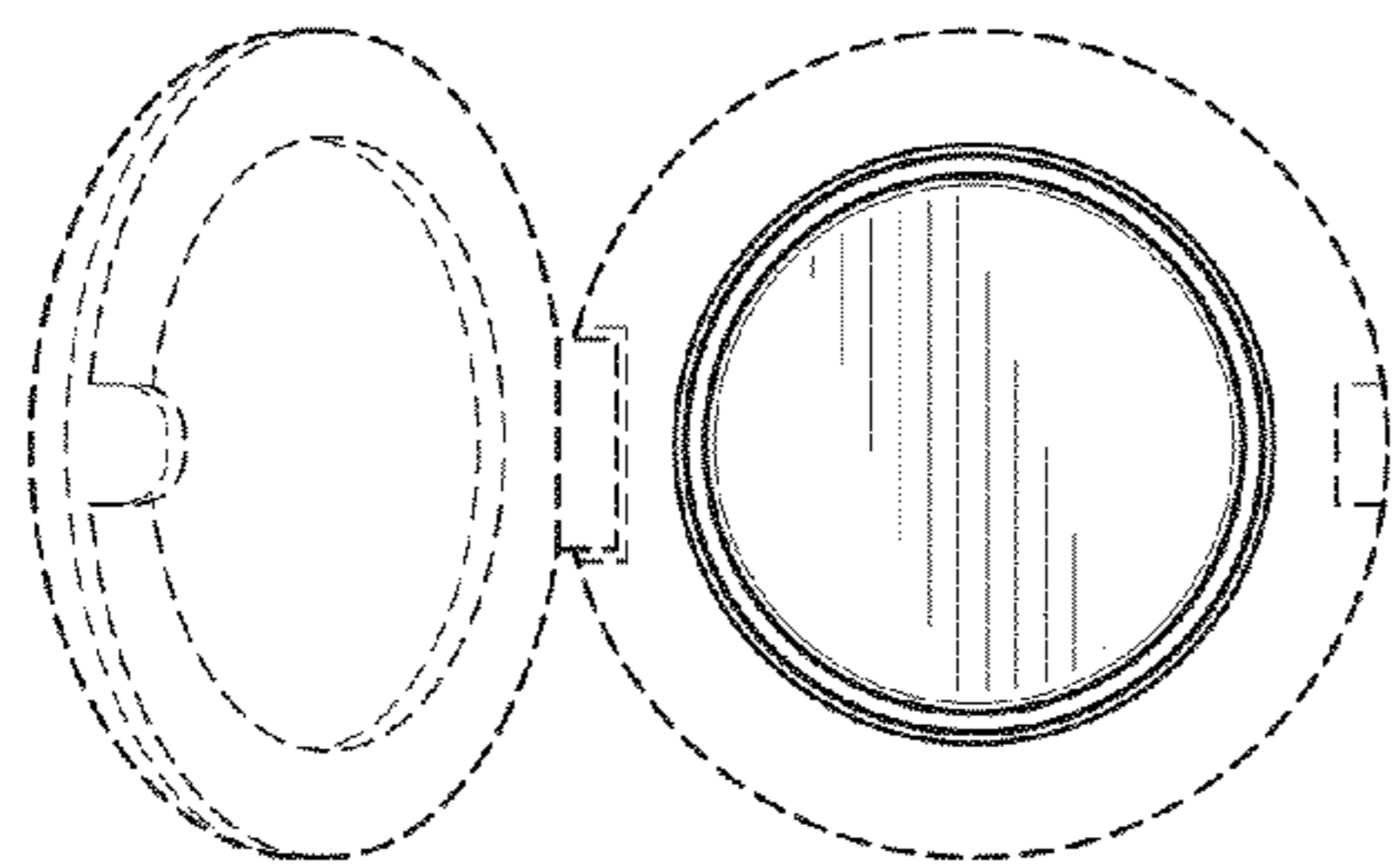


FIG. 2

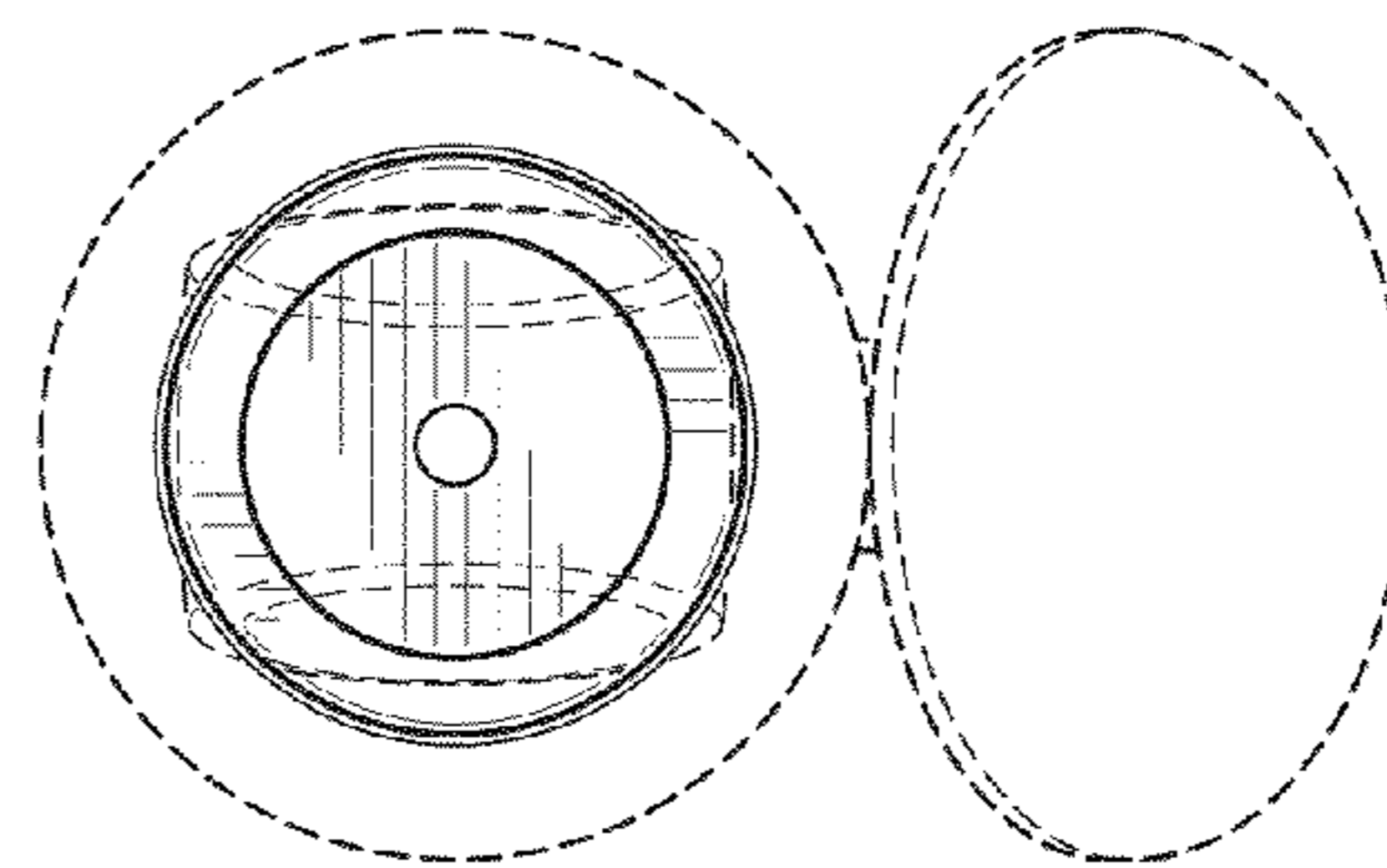


FIG. 3

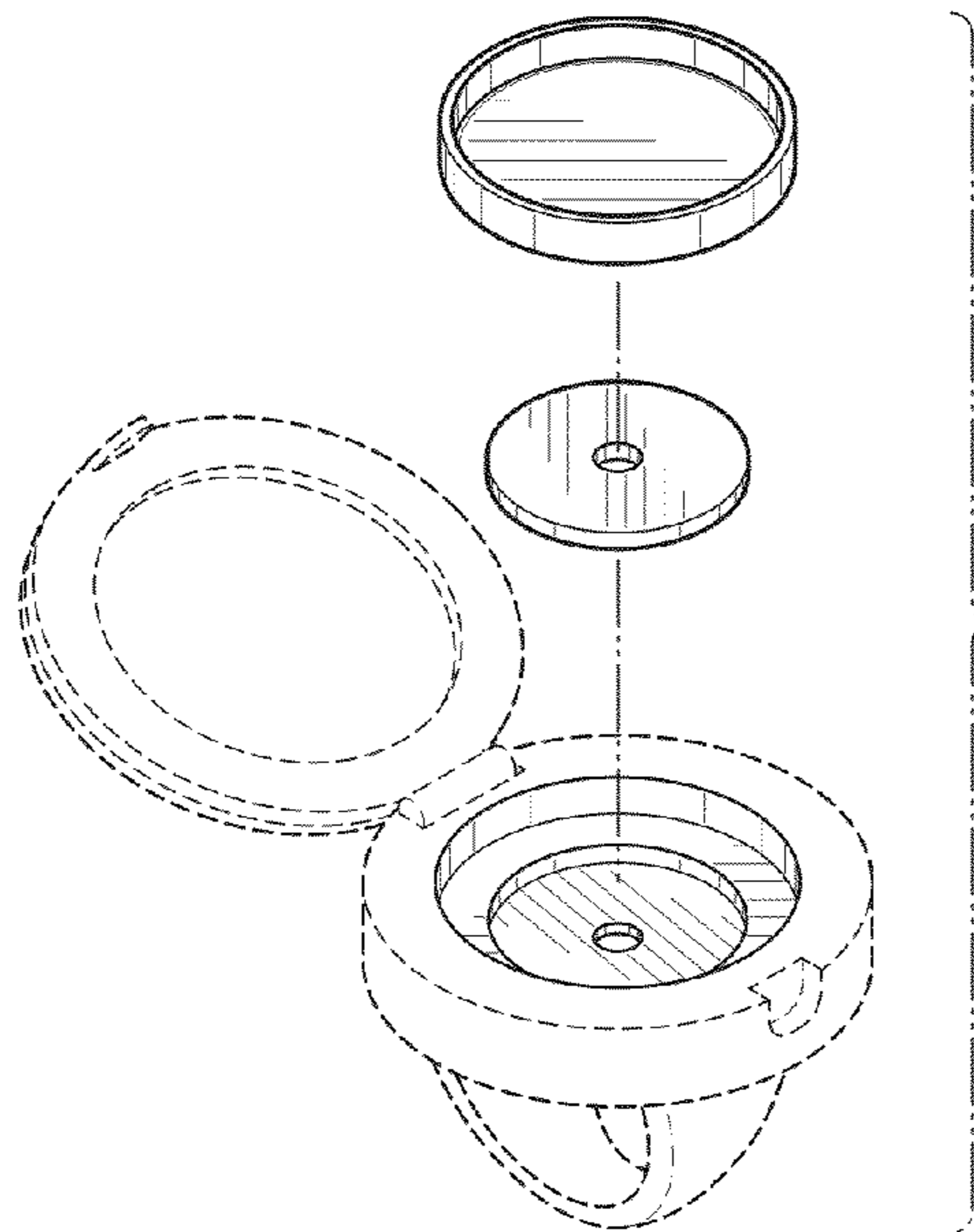
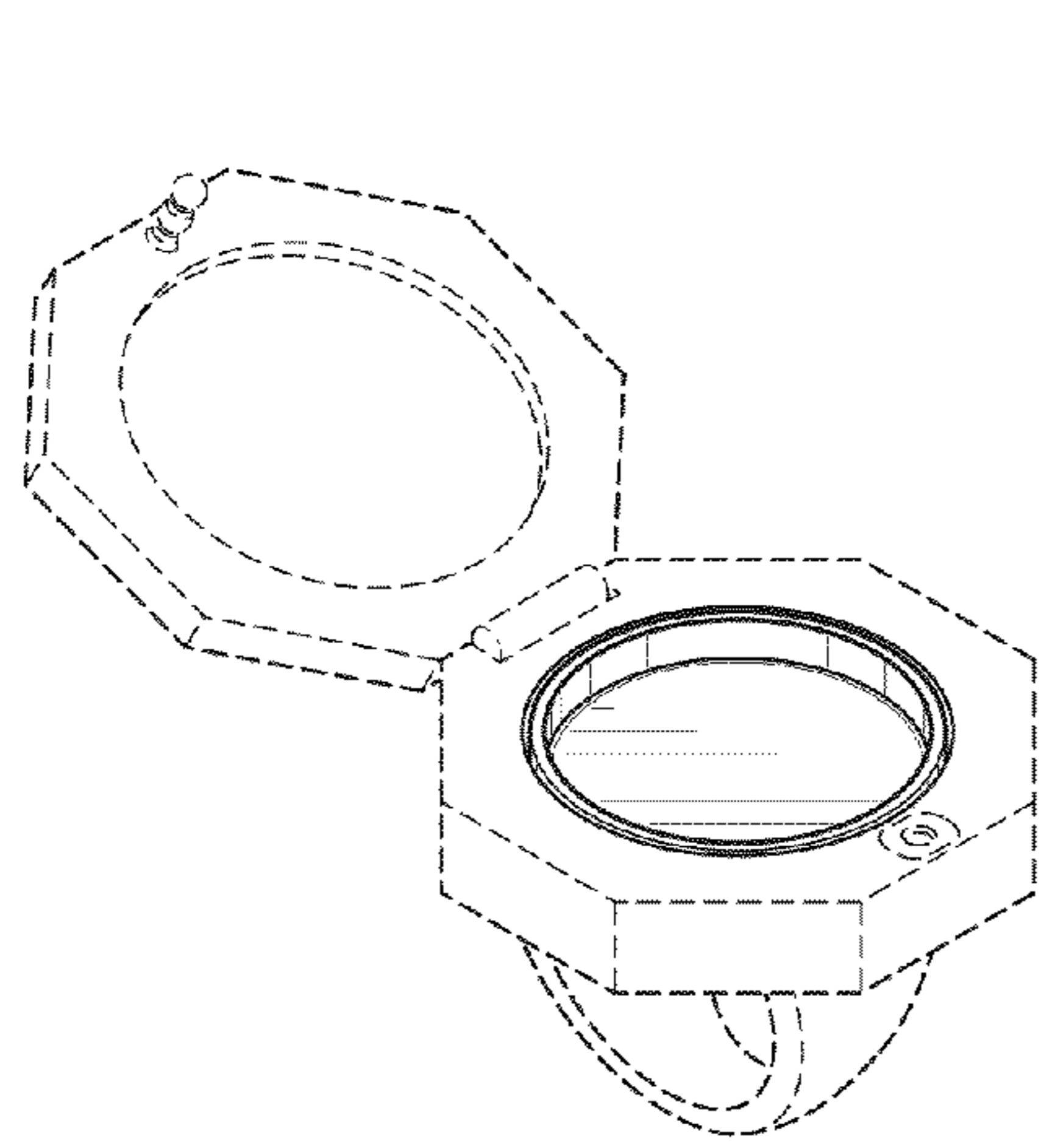
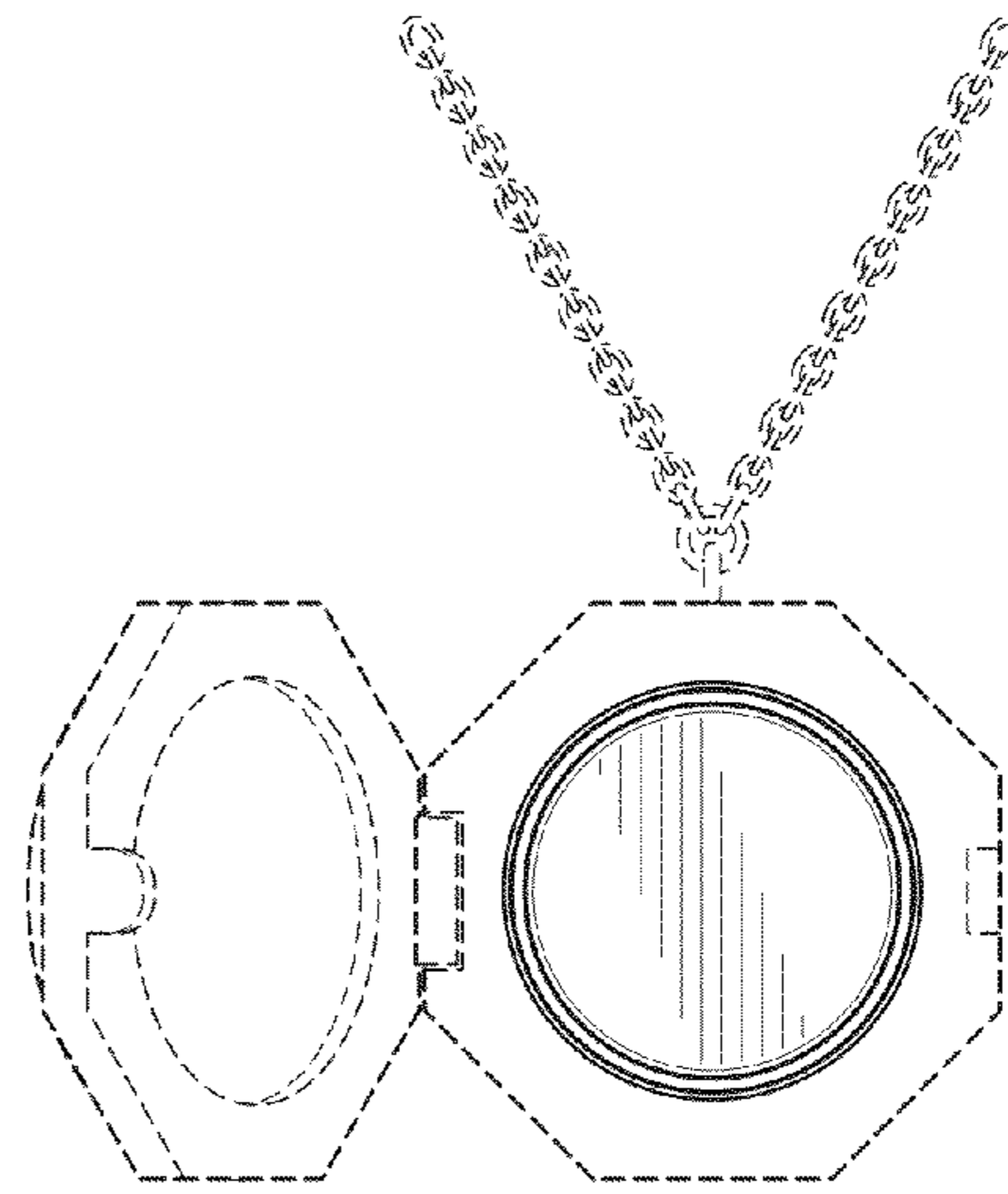


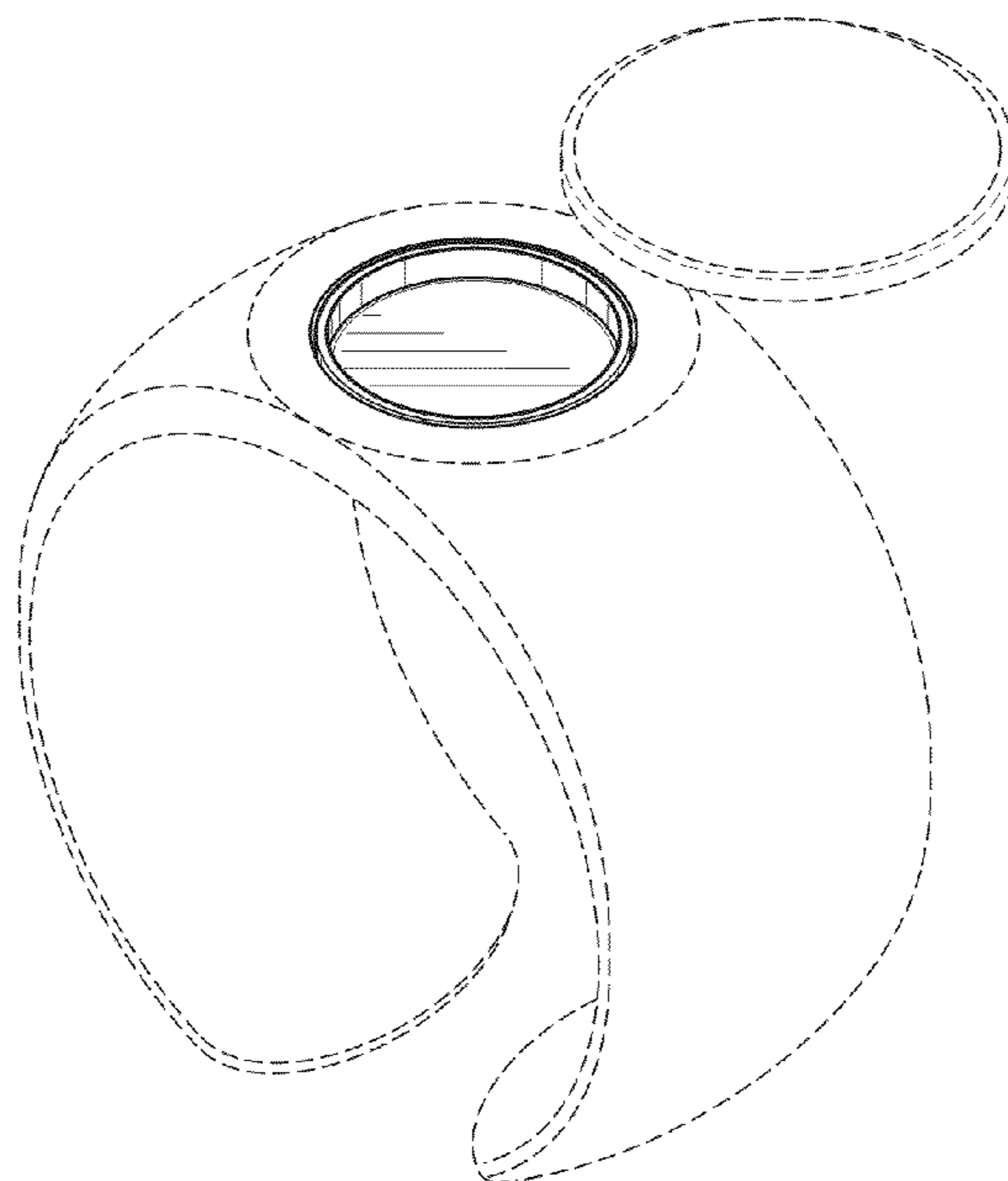
FIG. 4



**FIG. 5**



**FIG. 6**



**FIG. 7**