



US00D703083S

(12) **United States Design Patent**
Saikawa et al.

(10) **Patent No.:** **US D703,083 S**

(45) **Date of Patent:** **** Apr. 22, 2014**

(54) **FRAME FOR OPERATION BUTTON OF ELEVATOR**

(75) Inventors: **Yoshinori Saikawa**, Tokyo (JP); **Eiji Yuasa**, Tokyo (JP)

(73) Assignee: **Mitsubishi Electric Corporation**, Tokyo (JP)

(**) Term: **14 Years**

(21) Appl. No.: **29/403,849**

(22) Filed: **Oct. 12, 2011**

(30) **Foreign Application Priority Data**

Apr. 13, 2011 (JP) 2011-008483

(51) **LOC (10) Cl.** **10-05**

(52) **U.S. Cl.**
USPC **D10/121; D8/353**

(58) **Field of Classification Search**
USPC D10/108; D21/812; 340/474; 200/520,
200/341; D13/158, 171, 174; 187/389–391,
187/396–397, 380

See application file for complete search history.

(56) **References Cited**

U.S. PATENT DOCUMENTS

D327,212 S * 6/1992 Hubben et al. D8/353
D479,659 S * 9/2003 Fleckenstein et al. D6/470
D573,005 S * 7/2008 Huang D8/353
D644,914 S * 9/2011 Hoffman et al. D8/353

* cited by examiner

Primary Examiner — George D Kirschbaum

(74) *Attorney, Agent, or Firm* — Sughrue Mion, PLLC

(57) **CLAIM**

The ornamental design for a frame for operation button of elevator, as shown and described.

DESCRIPTION

FIG. 1 is a perspective view of front, right and top plan side of a frame for operation button of elevator showing our new design;

FIG. 2 is a front view thereof;

FIG. 3 is a rear view thereof;

FIG. 4 is a top plan view thereof;

FIG. 5 is a bottom view thereof;

FIG. 6 is a left side view thereof;

FIG. 7 is a right side view thereof;

FIG. 8 is an end view of cutting part at 8-8 in FIG. 2 omitting the interior mechanism; and,

FIG. 9 is a front reference view of usage.

The portions of the article in broken lines are shown for illustrative purposes only and form no part of the claimed design.

1 Claim, 7 Drawing Sheets

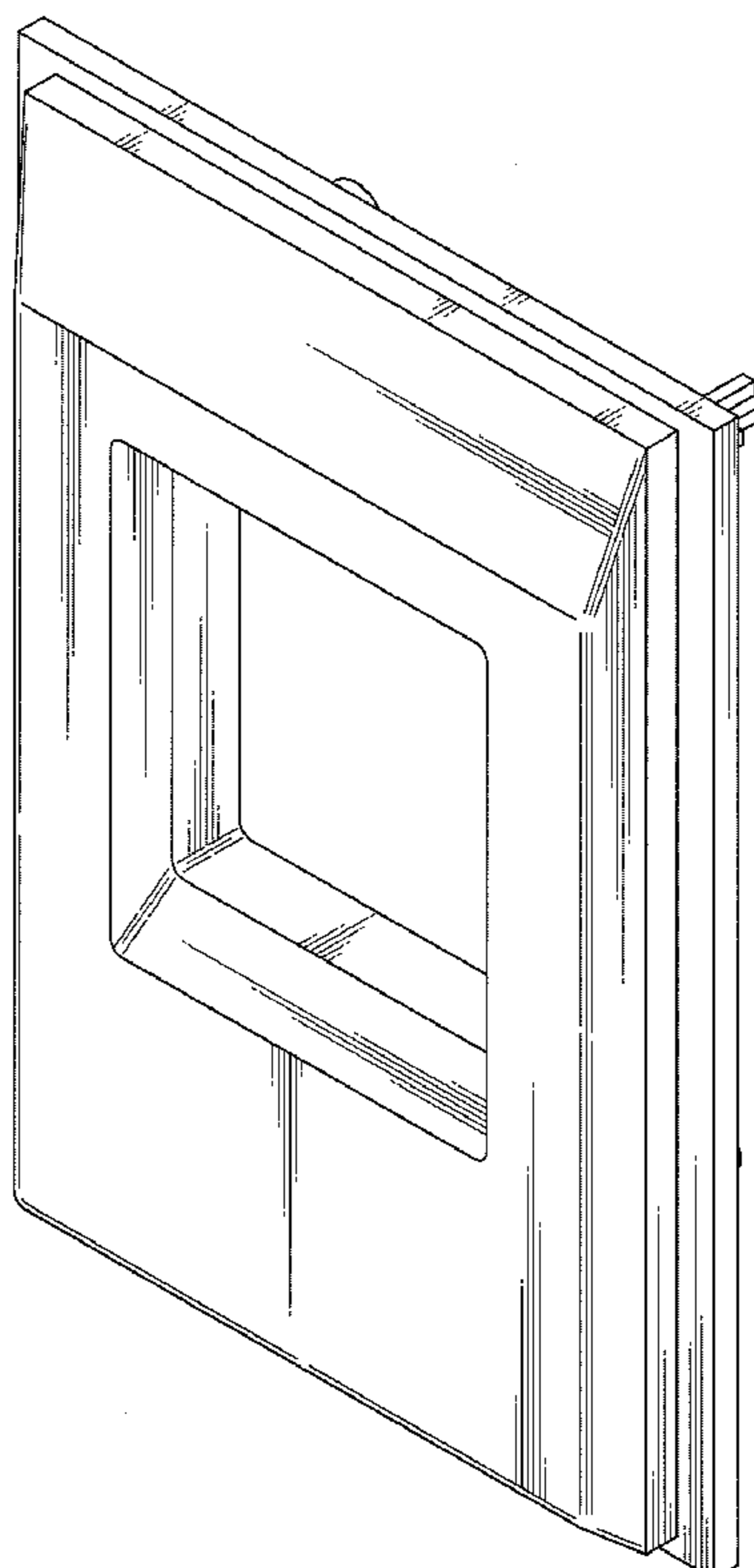


Fig. 1

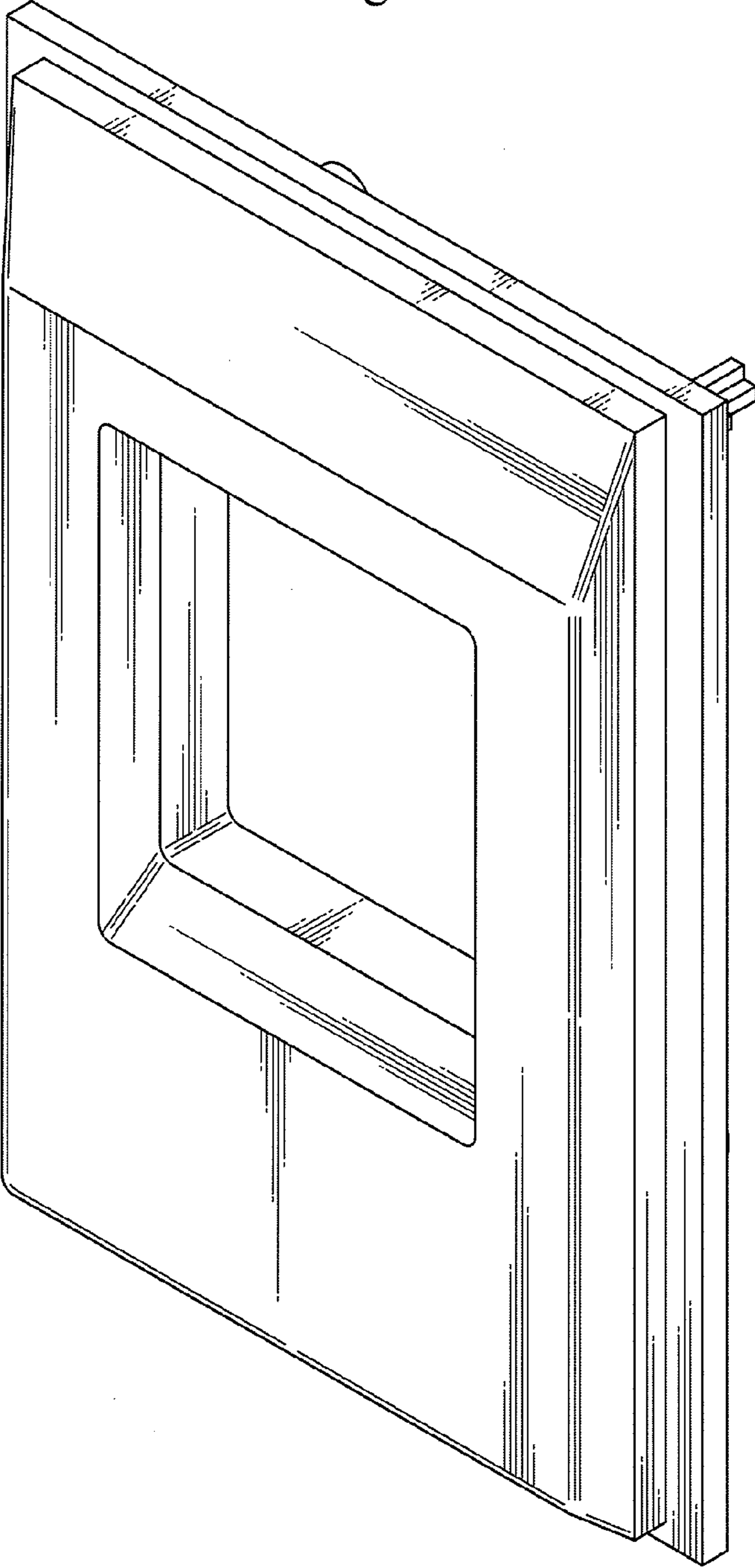
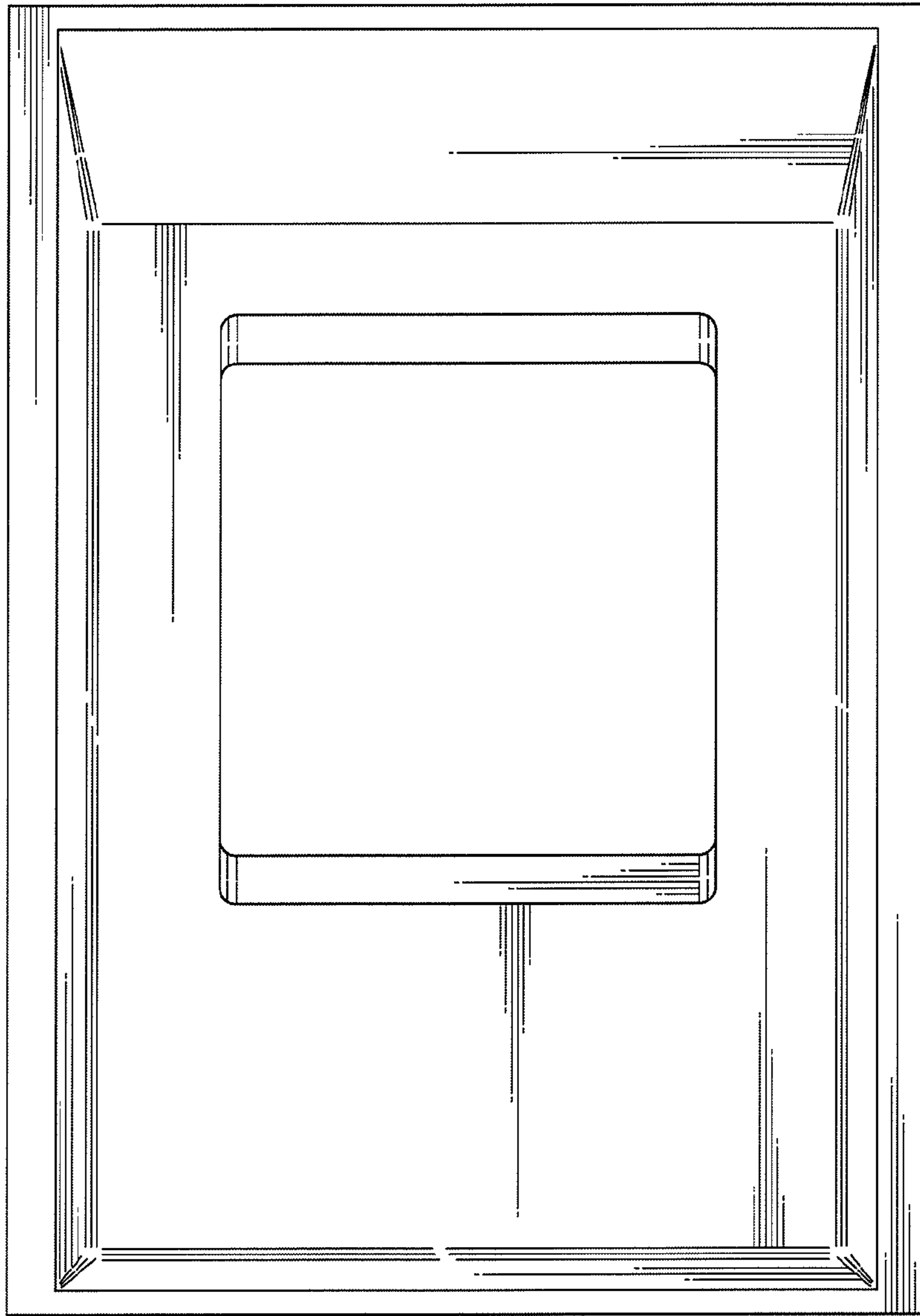


Fig. 2

8 ←



8 ←

Fig. 3

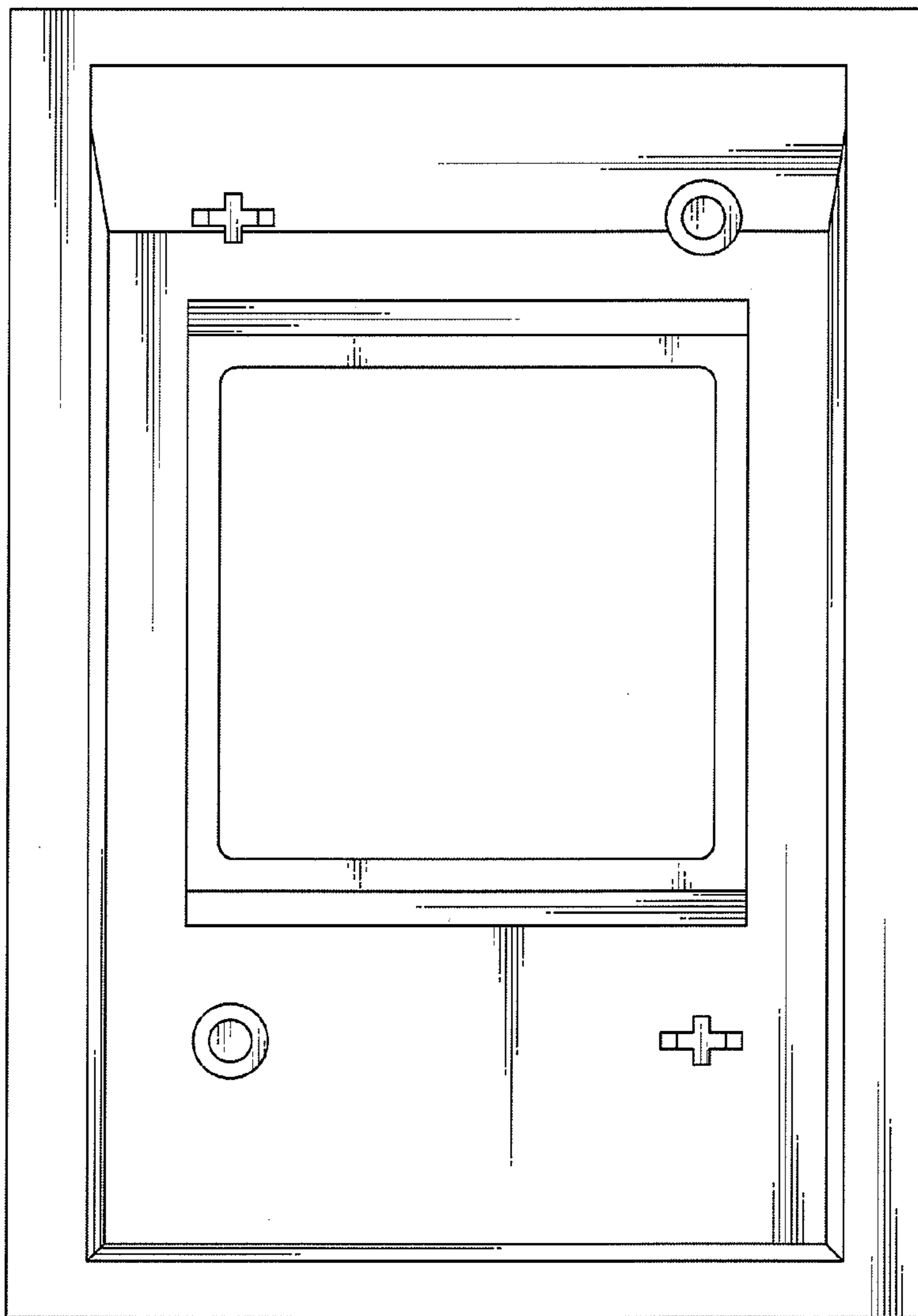


Fig. 4

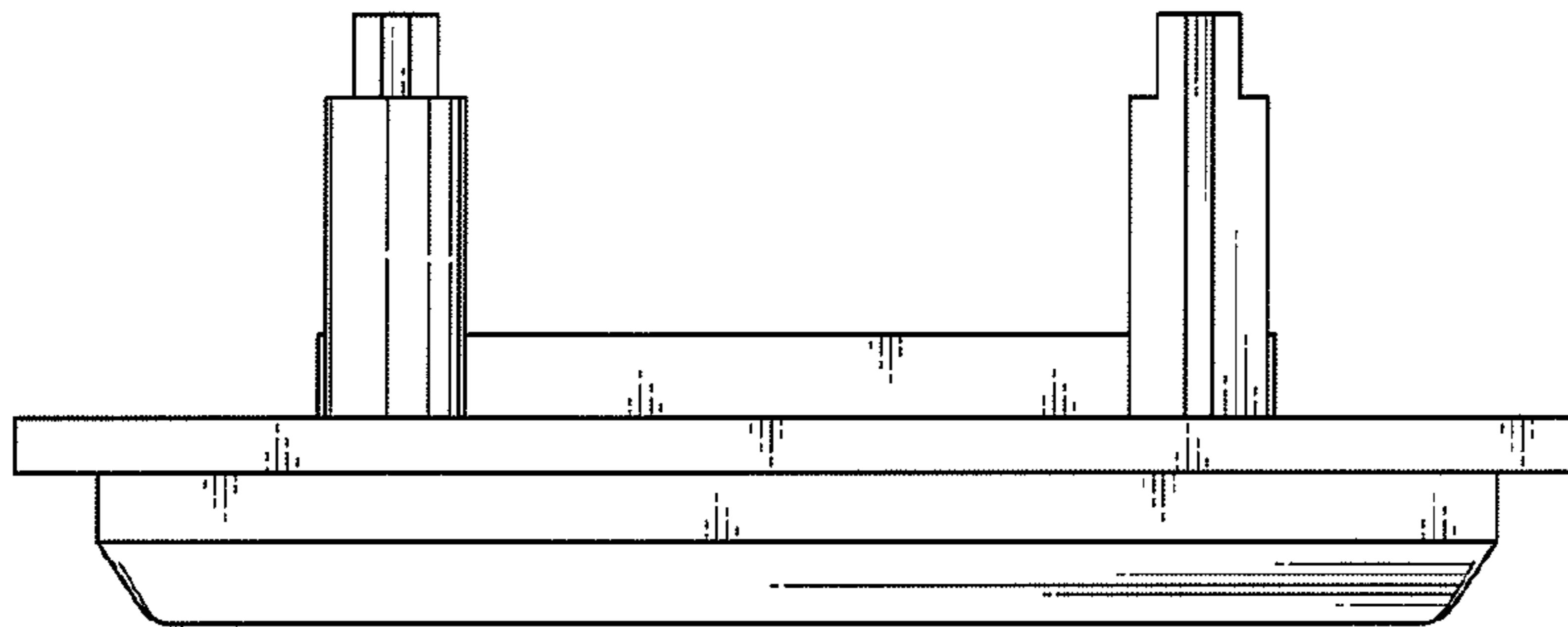


Fig. 5

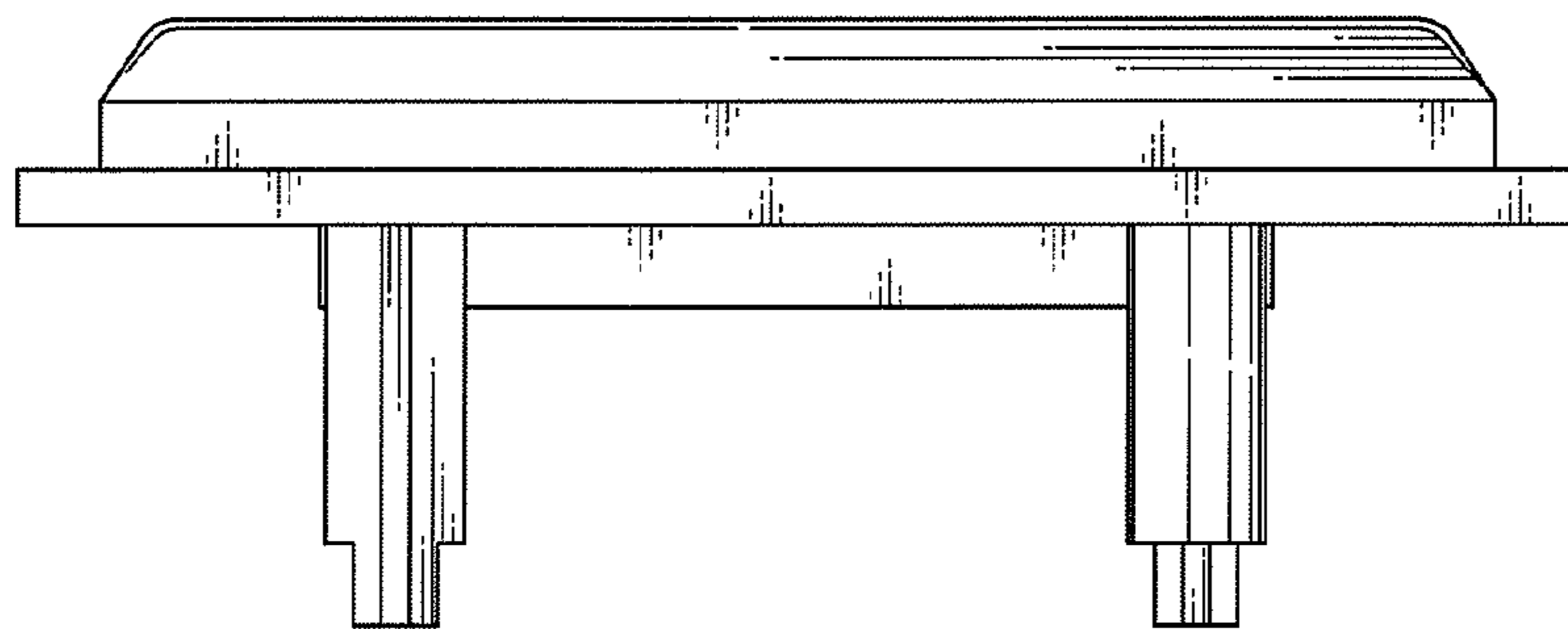


Fig. 6



Fig. 7

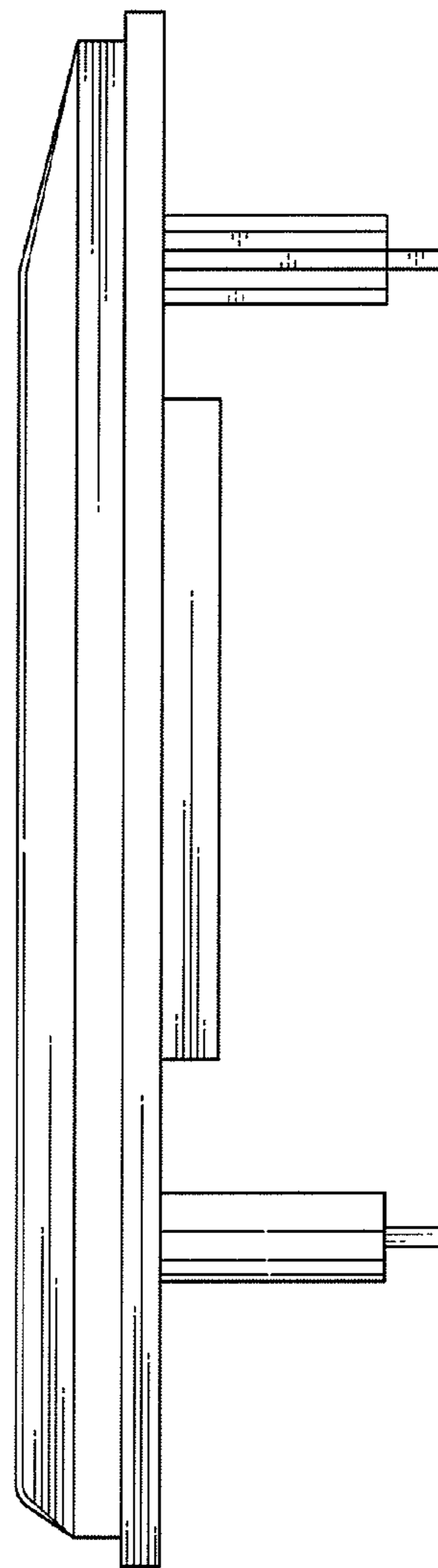


Fig. 8

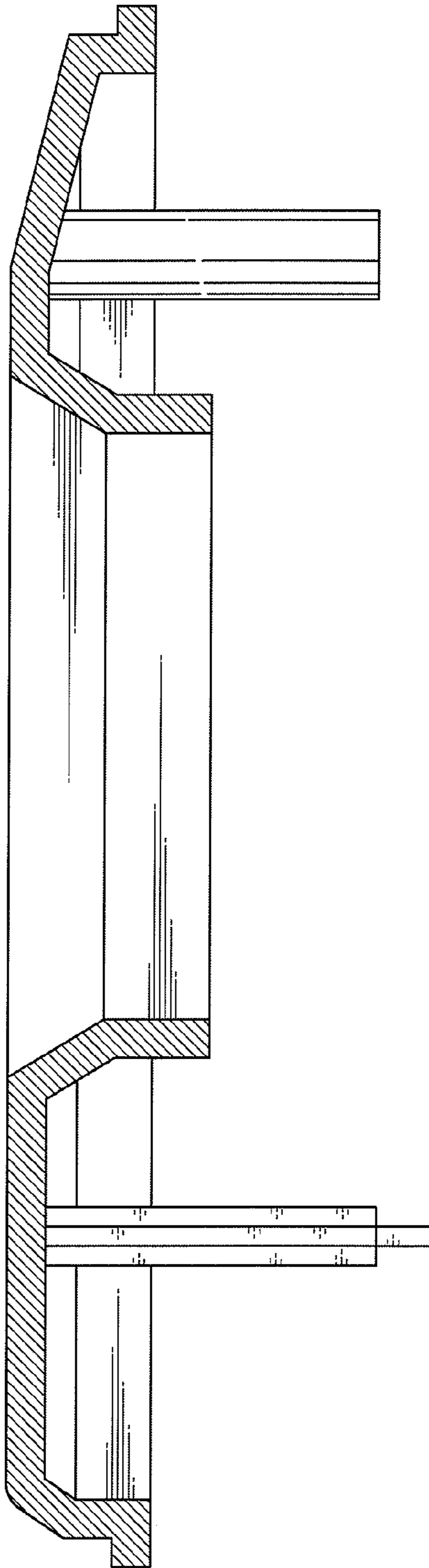


Fig. 9

