



US00D703082S

(12) **United States Design Patent**
Deyaf

(10) **Patent No.:** **US D703,082 S**

(45) **Date of Patent:** **** Apr. 22, 2014**

(54) **LIGHT BAR**

(71) Applicant: **SpeedTech Lights Inc.**, Buda, TX (US)

(72) Inventor: **Ahmed Deyaf**, Buda, TX (US)

(**) Term: **14 Years**

(21) Appl. No.: **29/469,033**

(22) Filed: **Oct. 7, 2013**

(51) **LOC (10) Cl.** **10-05**

(52) **U.S. Cl.**
USPC **D10/114.4**

(58) **Field of Classification Search**
USPC D10/114.1-114.5; D26/72, 85;
362/540-549
See application file for complete search history.

(56) **References Cited**

U.S. PATENT DOCUMENTS

D610,932 S * 3/2010 Shin D10/114.4
D613,632 S * 4/2010 Shin D10/114.4

D614,987 S * 5/2010 Kaffash D10/114.4
D626,023 S * 10/2010 Shin D10/114.4
D631,771 S * 2/2011 Kuo D10/114.4
D637,509 S * 5/2011 Shin D10/114.4
D652,753 S * 1/2012 Deyaf D10/114.4

* cited by examiner

Primary Examiner — George D Kirschbaum

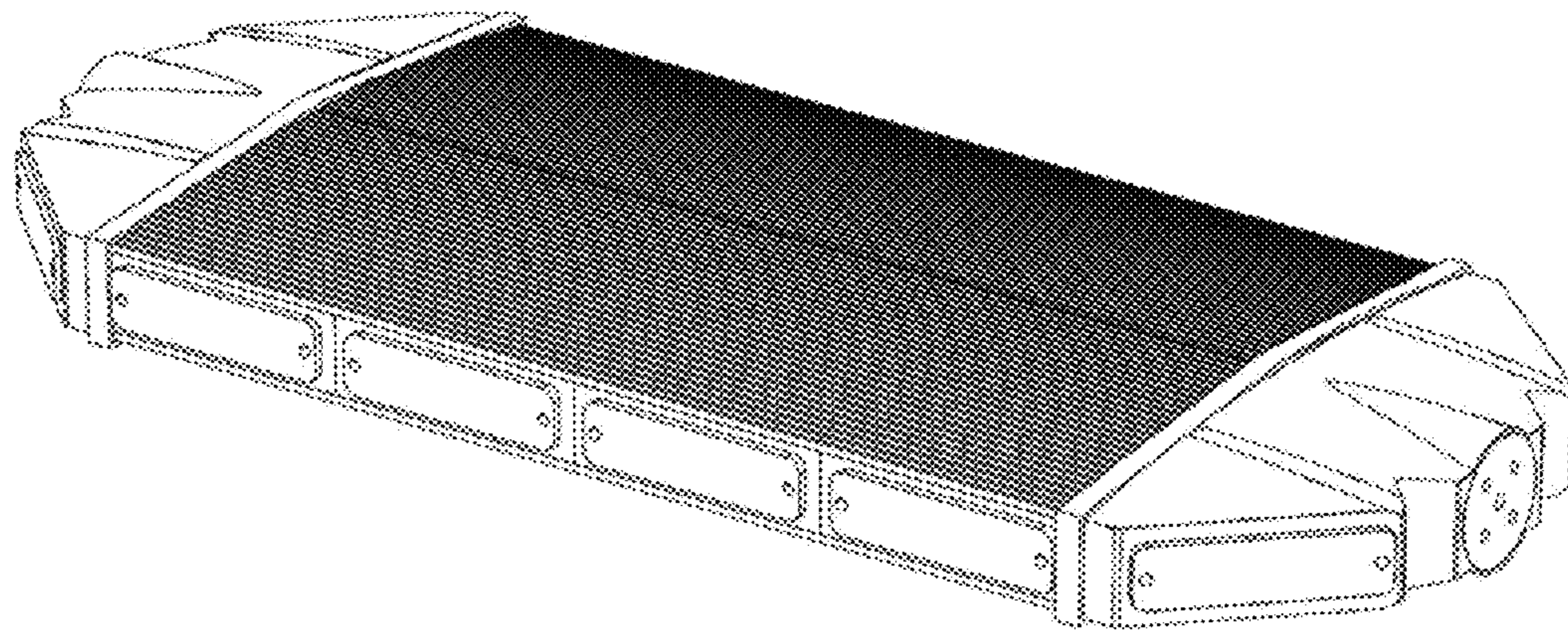
(57) **CLAIM**

The ornamental design for a light bar, as shown.

DESCRIPTION

FIG. 1 is a perspective view of a light bar showing my new design;
FIG. 2 is a front view thereof, which mirrors the rear view thereof;
FIG. 3 is a left view thereof, which mirrors the right view thereof;
FIG. 4 is a top view thereof; and,
FIG. 5 is a bottom view thereof.

1 Claim, 3 Drawing Sheets



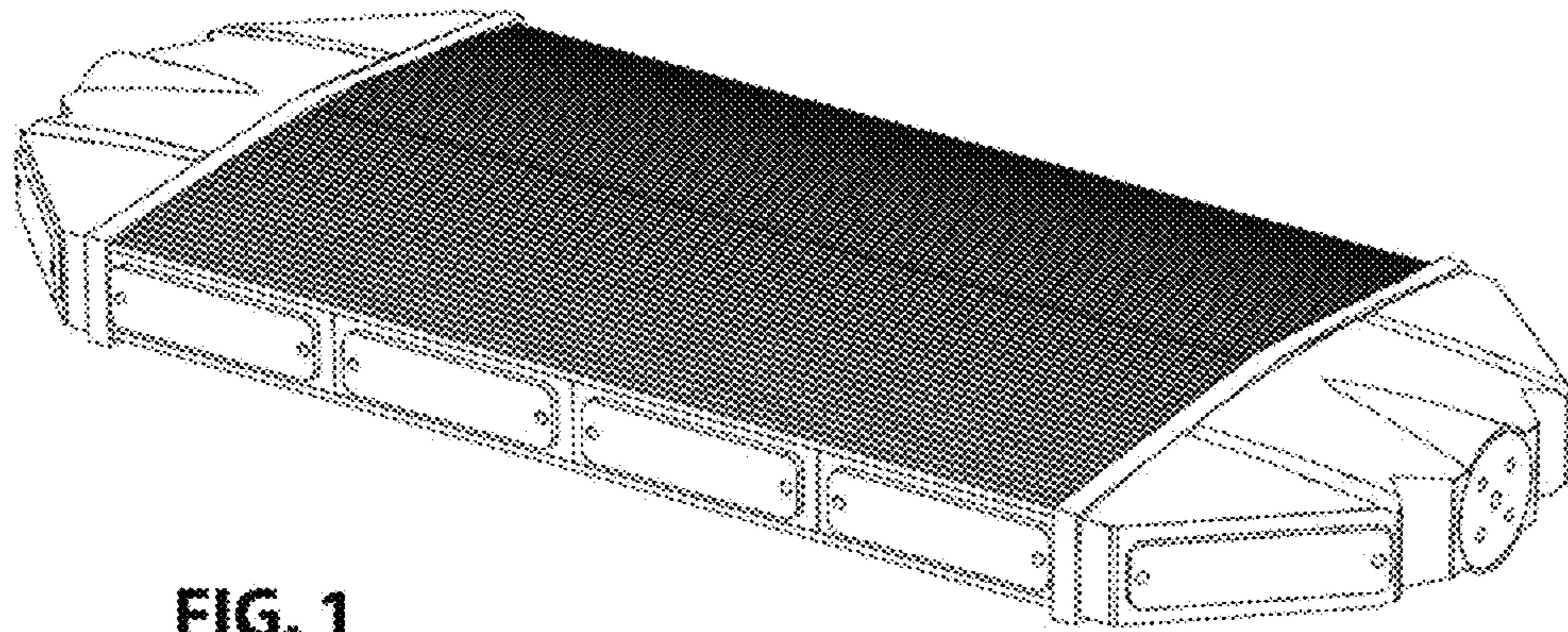


FIG. 1

FIG. 2

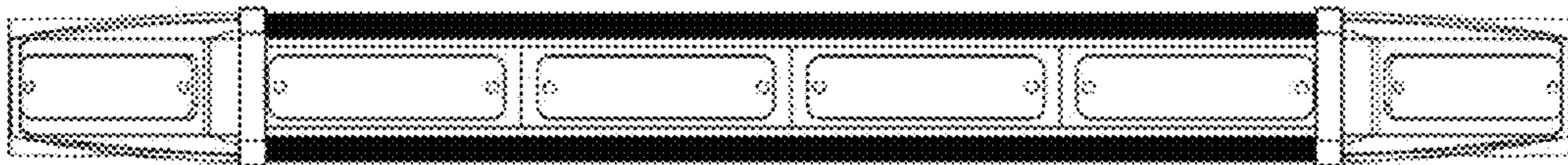


FIG. 3

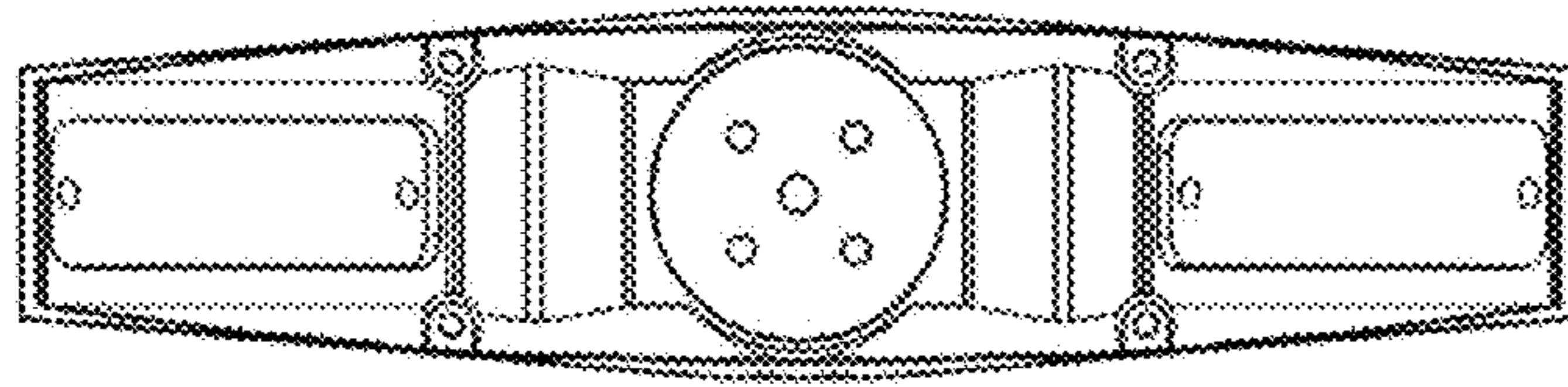


FIG. 4

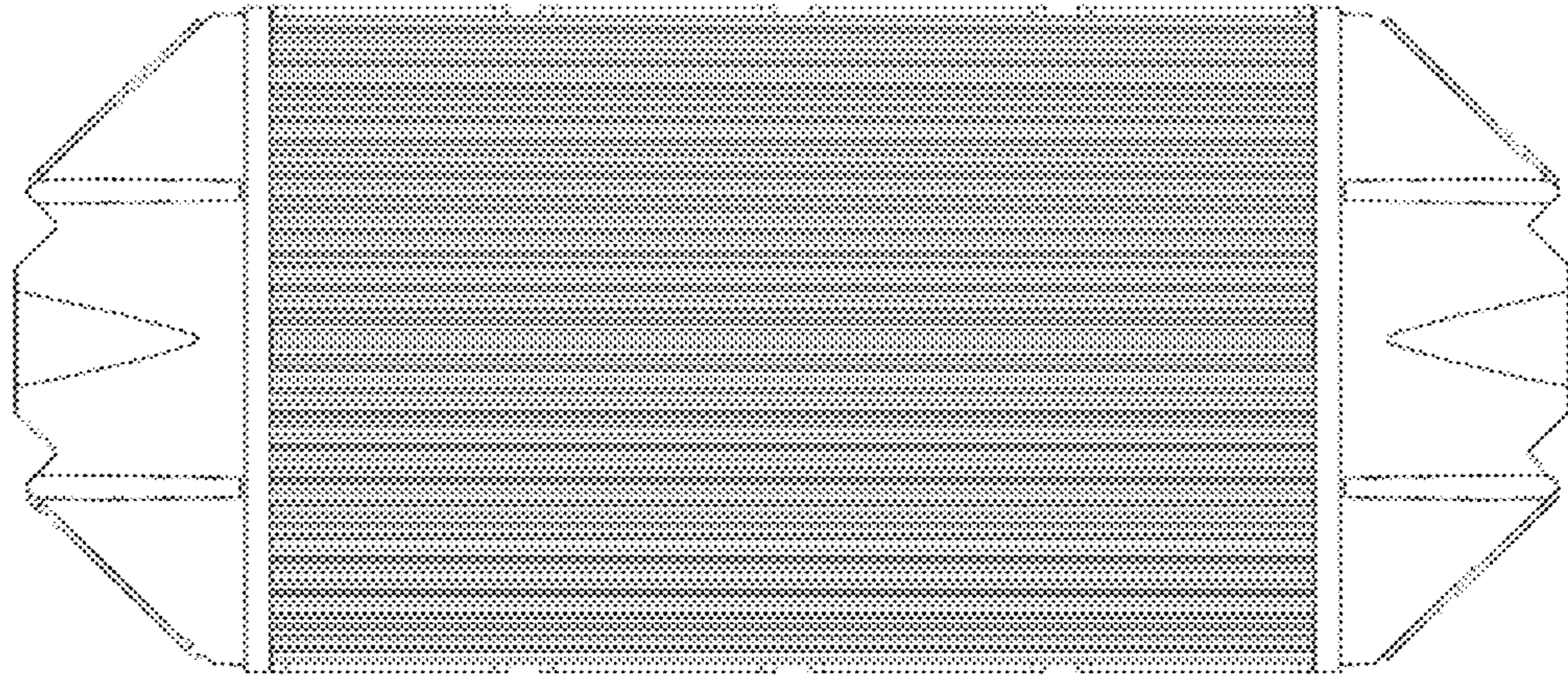


FIG. 5

