



US00D703079S

(12) **United States Design Patent**
Joyce

(10) **Patent No.:** **US D703,079 S**
(45) **Date of Patent:** **** Apr. 22, 2014**

(54) **ELEVATOR FIXTURE**

(75) Inventor: **Matthew Joyce**, Avon, CT (US)

(73) Assignee: **Otis Elevator Company**, Farmington, CT (US)

(**) Term: **14 Years**

(21) Appl. No.: **29/417,620**

(22) Filed: **Apr. 5, 2012**

(51) **LOC (10) Cl.** **10-05**

(52) **U.S. Cl.**
USPC **D10/108**

(58) **Field of Classification Search**
USPC D10/108; D14/388, 389, 138 G, 198,
D14/371; D20/10; D6/470; D18/4.6;
D13/162; 187/389-391, 396-397, 380,
187/390

See application file for complete search history.

(56) **References Cited**

U.S. PATENT DOCUMENTS

D284,084 S *	6/1986	Ferrara, Jr.	D14/389
D289,291 S *	4/1987	Kapper	D14/389
D308,364 S *	6/1990	Beasley et al.	D14/389
D435,270 S *	12/2000	Healy	D20/10
D479,659 S *	9/2003	Fleckenstein et al.	D6/470
D493,816 S *	8/2004	Butler	D18/4.6
D577,703 S *	9/2008	Lee et al.	D14/138 G
D589,829 S *	4/2009	Friedli	D10/108
D662,094 S *	6/2012	Mack et al.	D14/388

* cited by examiner

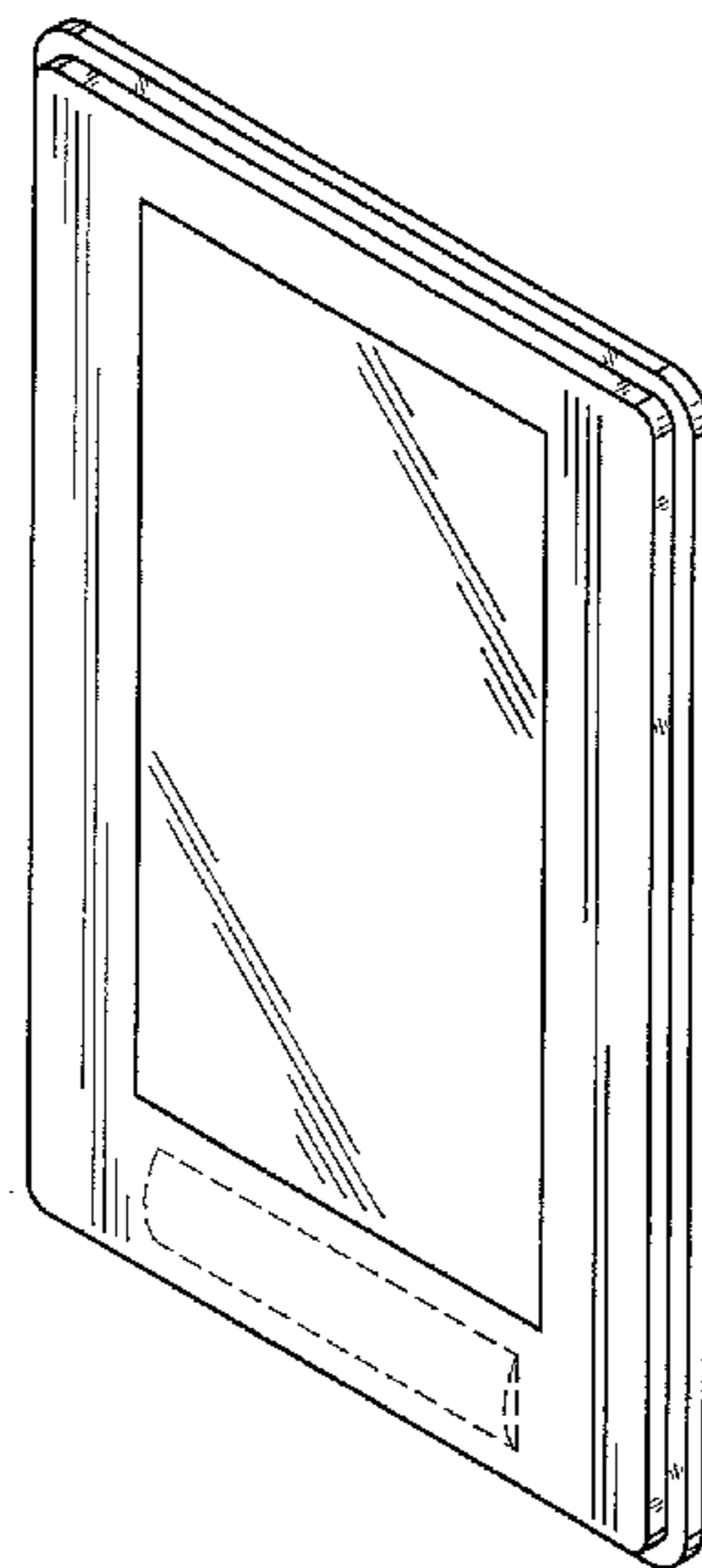
Primary Examiner — George D Kirschbaum
(74) *Attorney, Agent, or Firm* — O’Shea Getz P.C.

(57) **CLAIM**
The ornamental design of an elevator fixture, as shown and described.

DESCRIPTION

FIG. 1 is a front perspective view of a portrait-oriented elevator fixture;
FIG. 2 is a back perspective view thereof;
FIG. 3 is a front elevational view thereof;
FIG. 4 is a back elevational view thereof;
FIG. 5 is a right elevational view thereof;
FIG. 6 is a left elevational view thereof;
FIG. 7 is a bottom plan view thereof;
FIG. 8 is a top plan view thereof; and
FIG. 9 is a front perspective view thereof, mounted to a pedestal.
FIG. 10 is a front perspective view of a landscape-oriented elevator fixture;
FIG. 11 is a front elevational view thereof;
FIG. 12 is a back elevational view thereof;
FIG. 13 is a right elevational view thereof;
FIG. 14 is a left elevational view thereof;
FIG. 15 is a top plan view thereof;
FIG. 16 is a bottom plan view thereof; and
FIG. 17 is a front perspective view thereof, mounted to a pedestal.
The broken line representations in the figures, such as the pedestal, are for the purpose of illustration only, and form no part of the claimed invention.

1 Claim, 7 Drawing Sheets



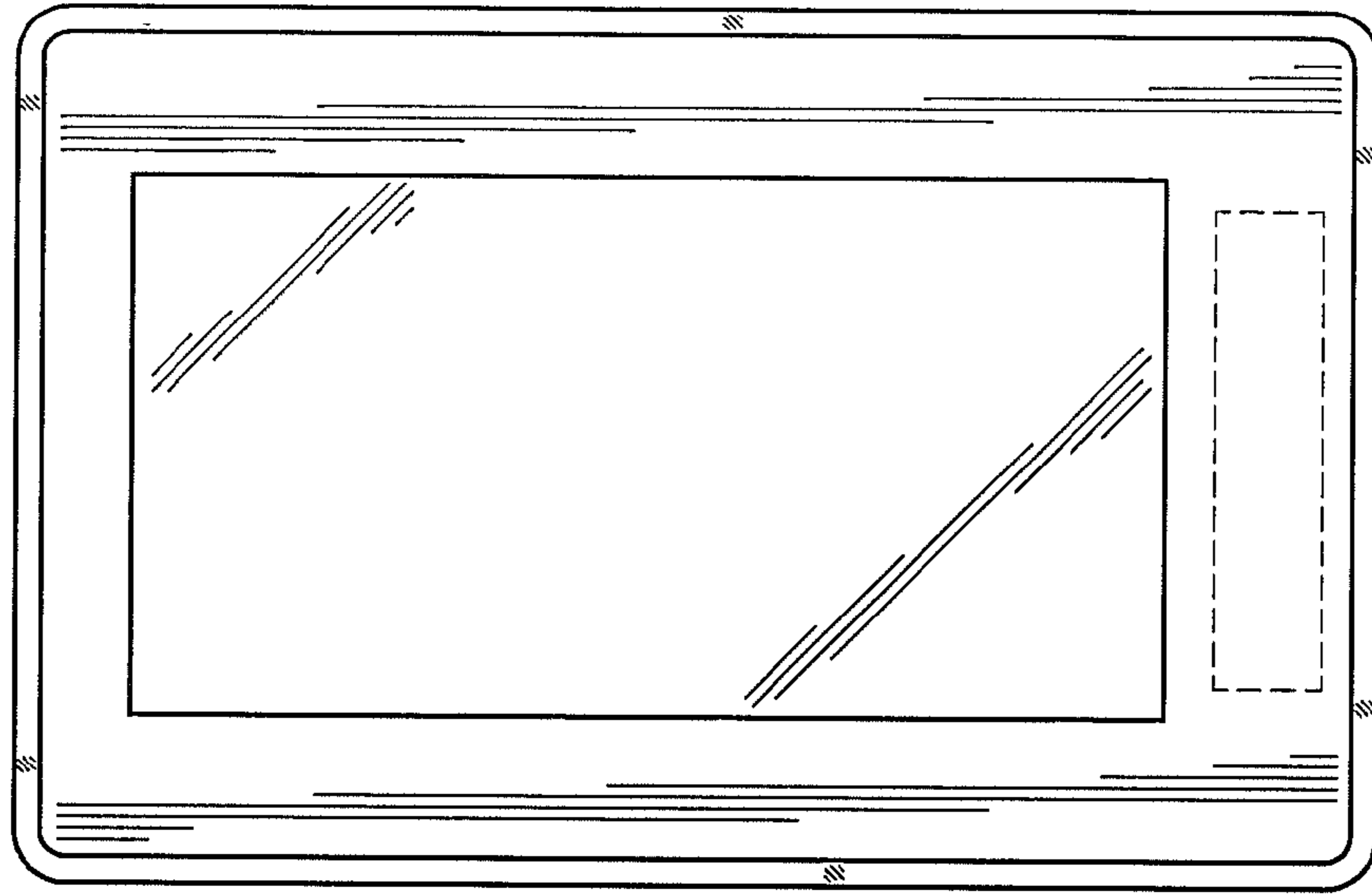


FIG. 3

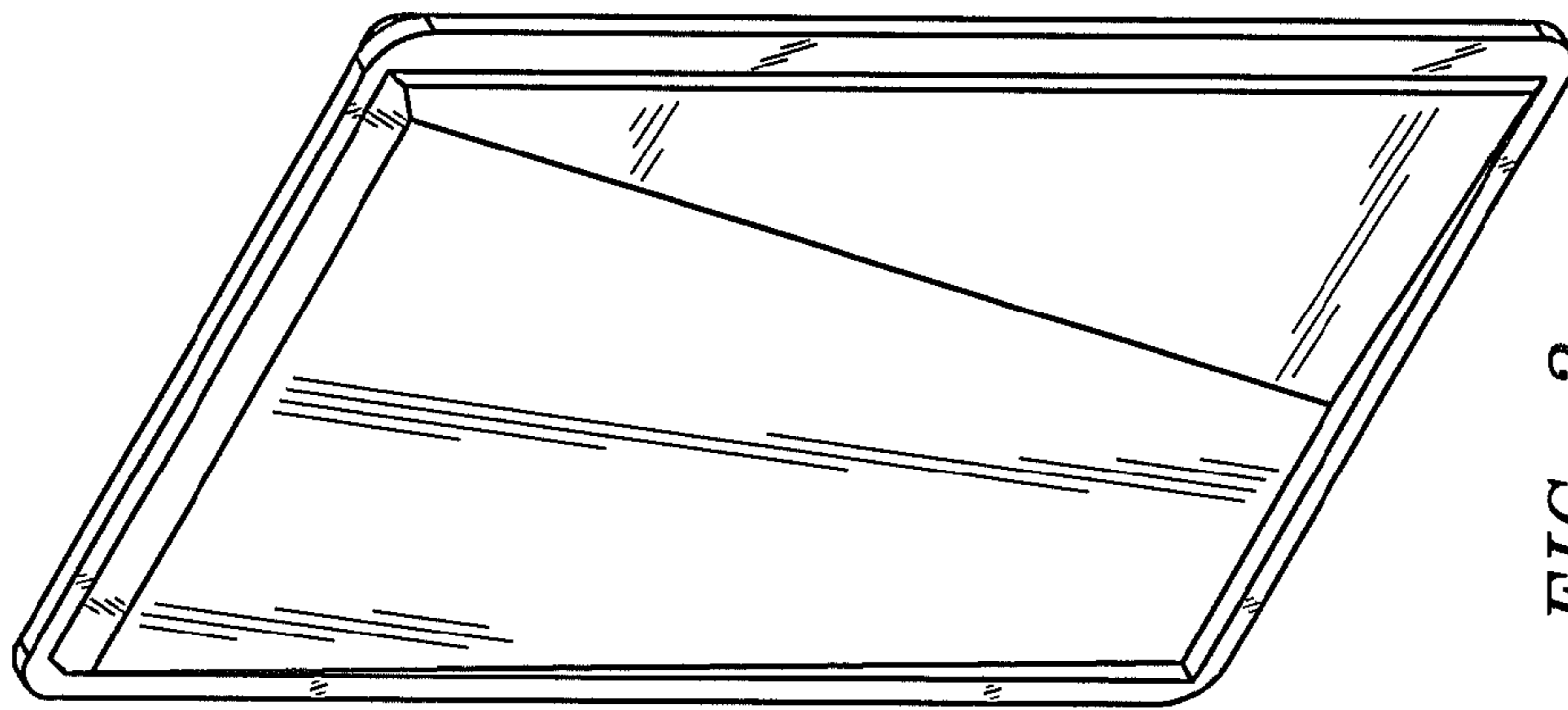


FIG. 2

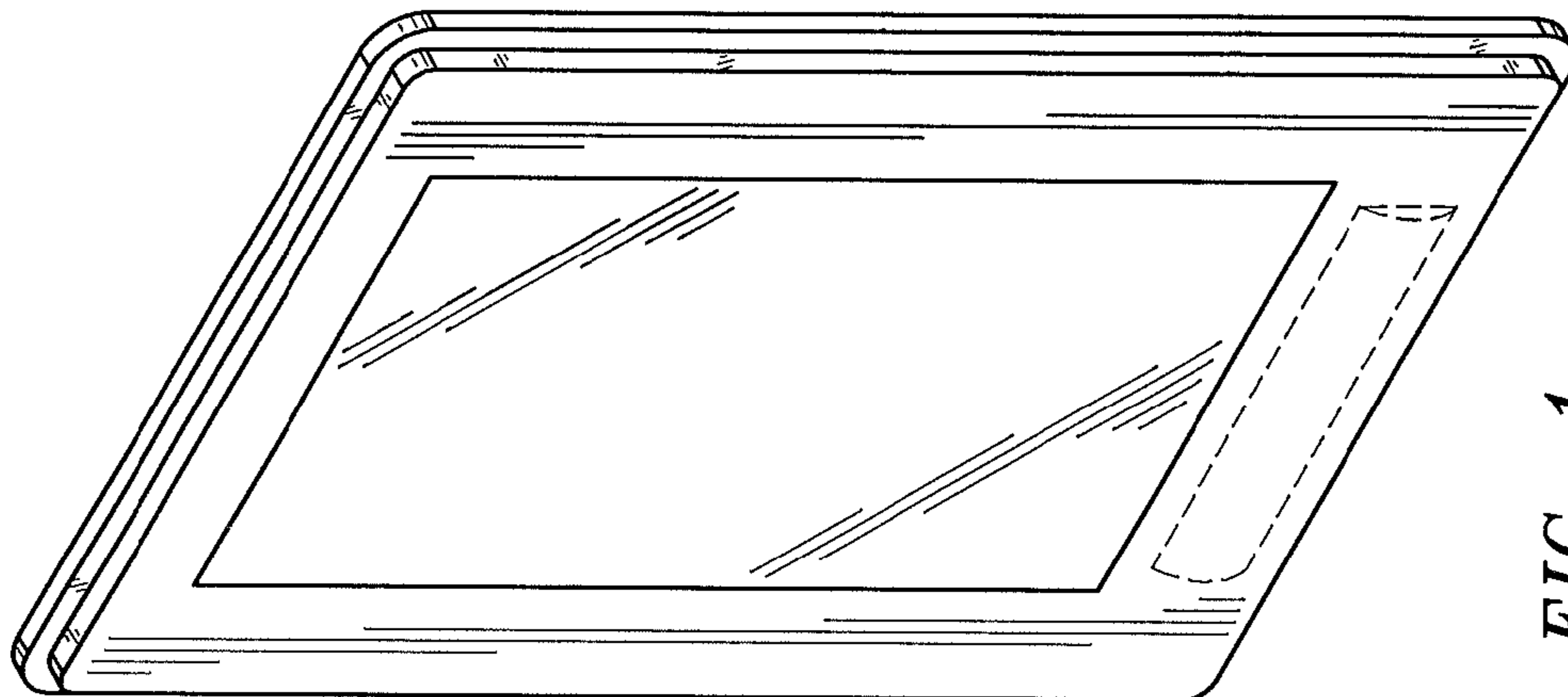


FIG. 1

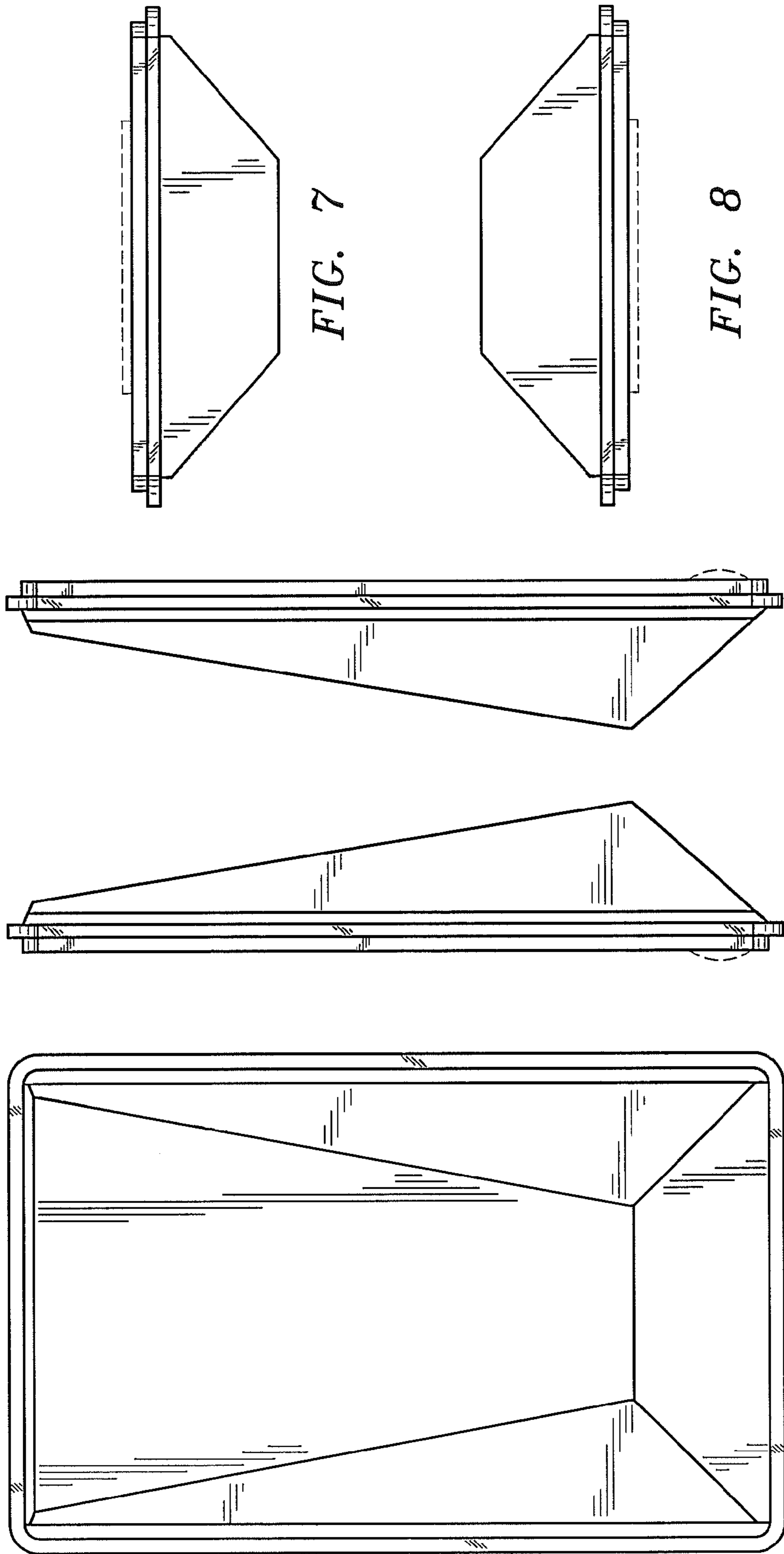


FIG. 7

FIG. 8

FIG. 6

FIG. 5

FIG. 4

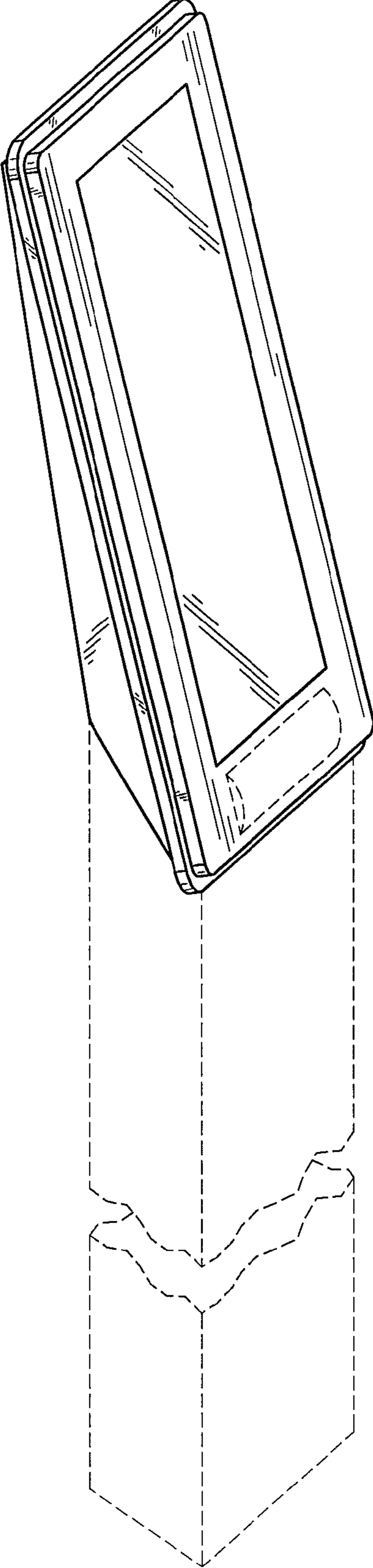


FIG. 9

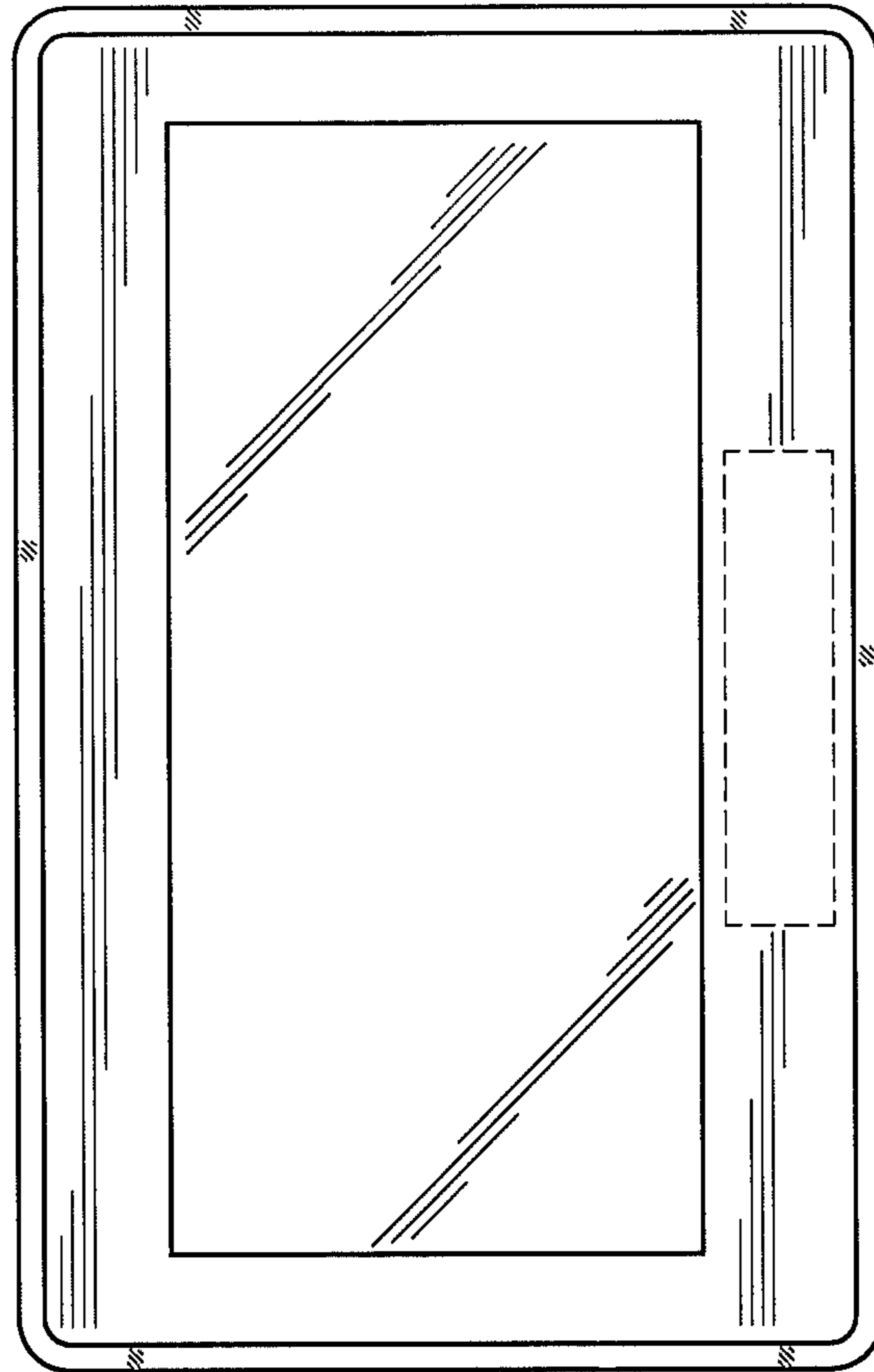


FIG. 11

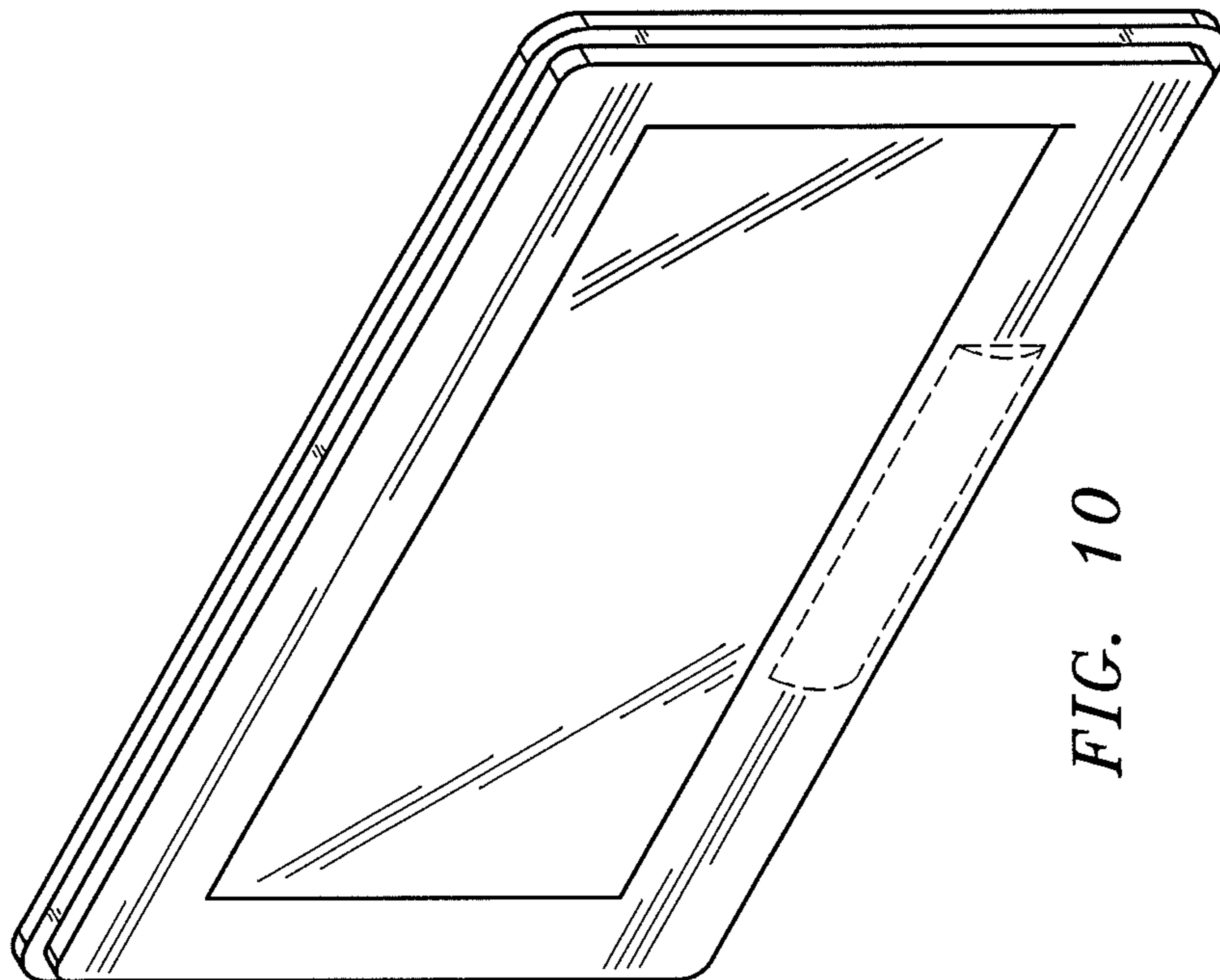


FIG. 10

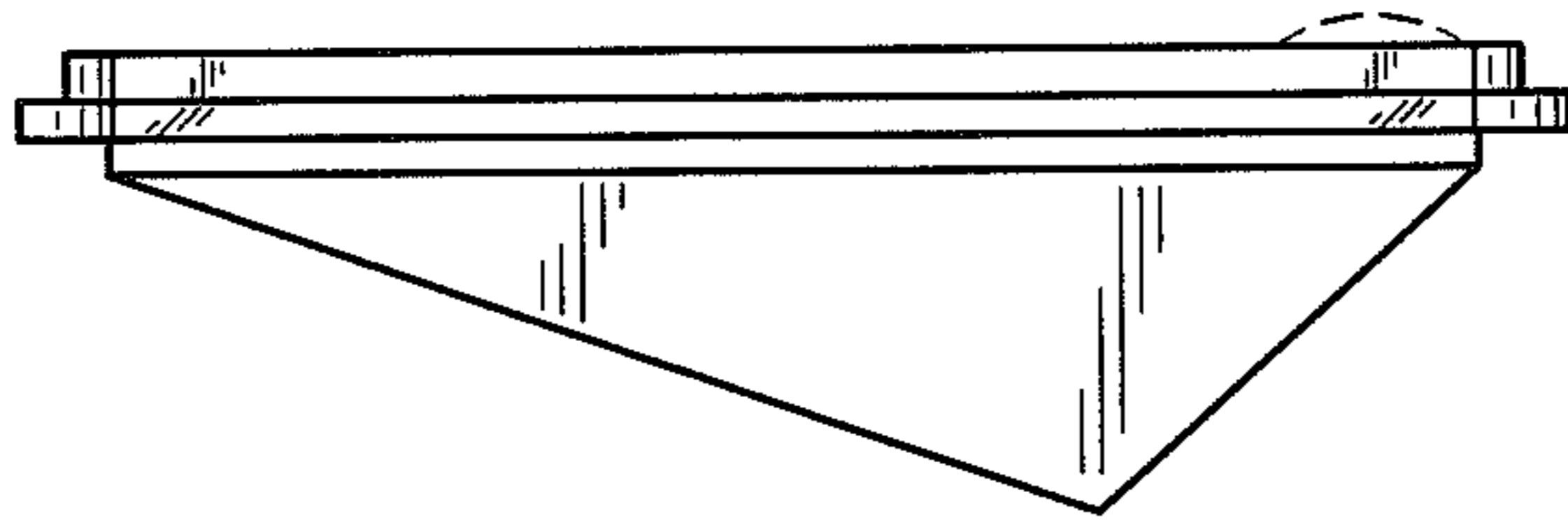


FIG. 14

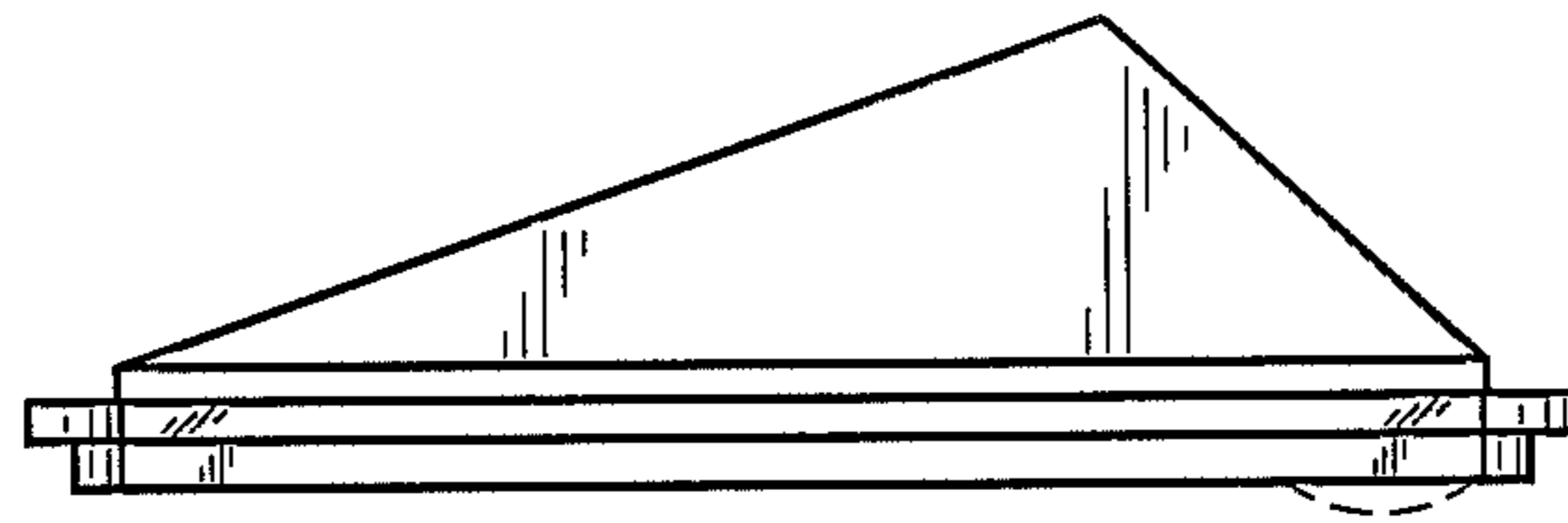


FIG. 13

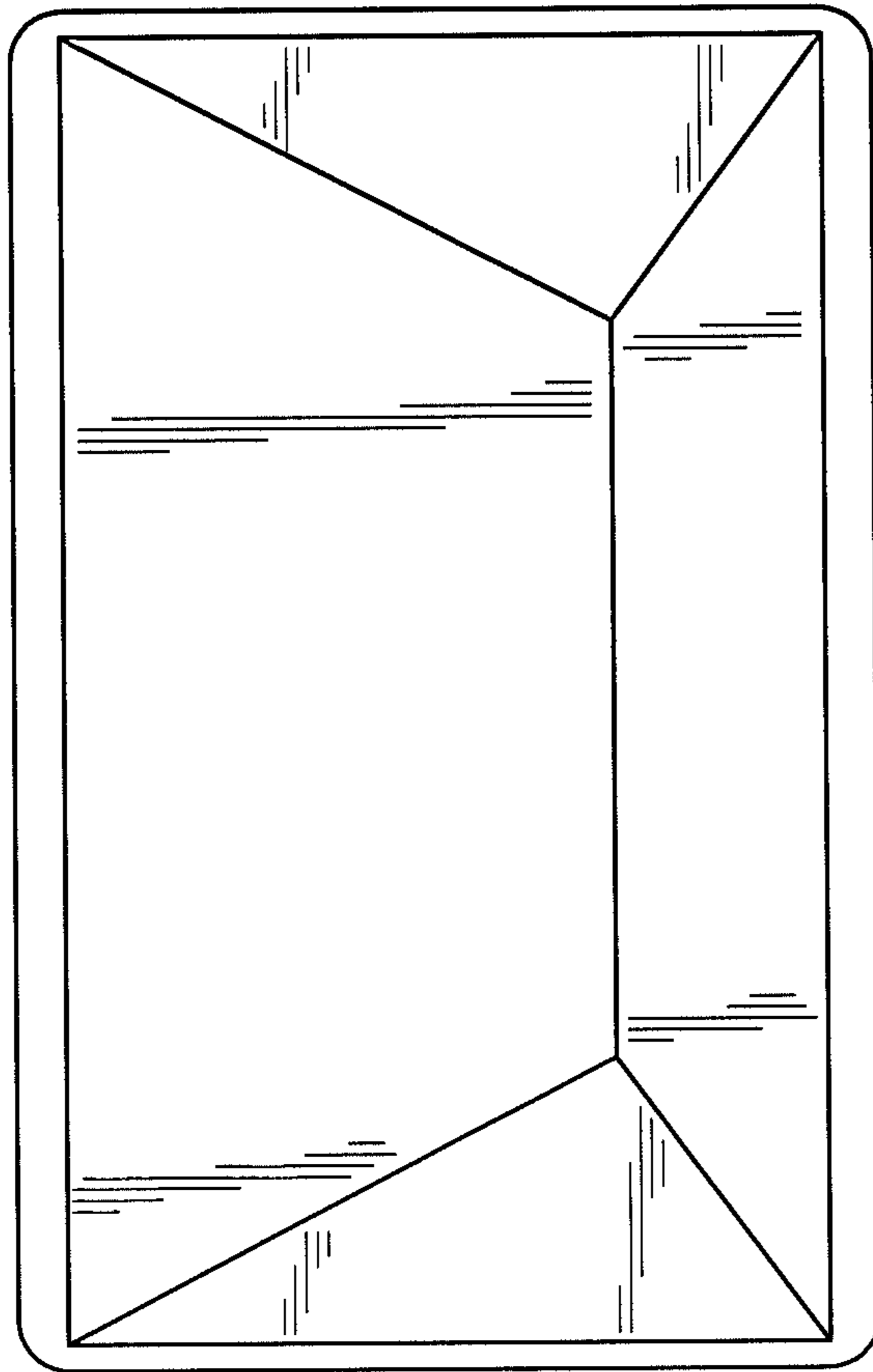


FIG. 12

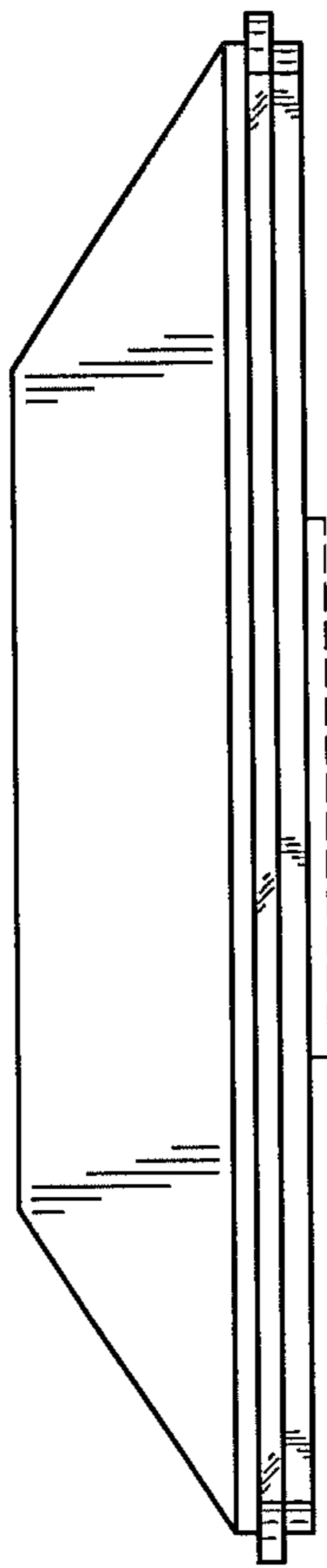


FIG. 15

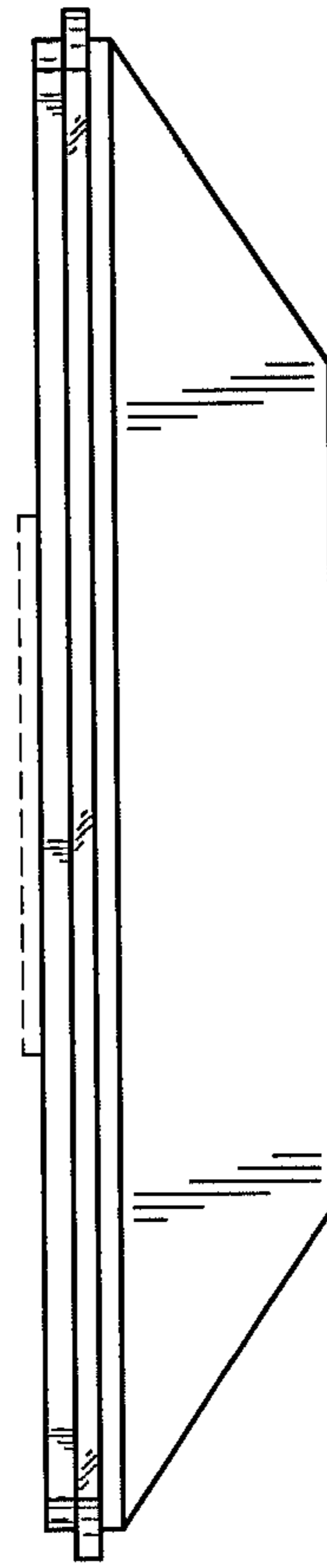


FIG. 16

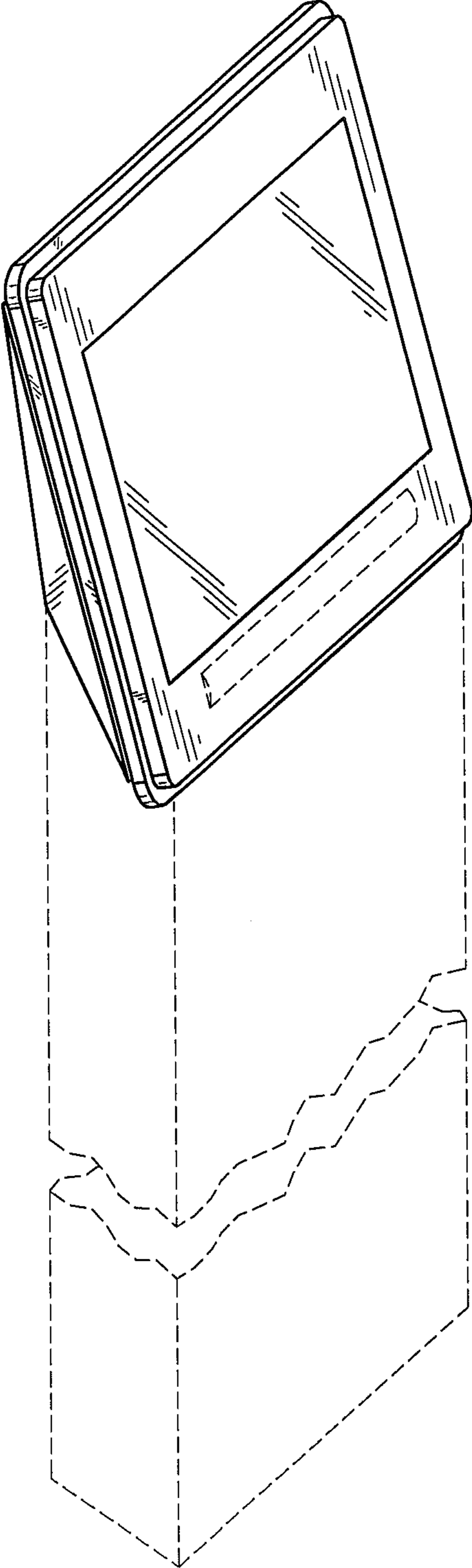


FIG. 17