



US00D703078S

(12) **United States Design Patent**
Hong

(10) **Patent No.:** **US D703,078 S**

(45) **Date of Patent:** **** Apr. 22, 2014**

(54) **ELECTRIC POWER MONITOR**

(56) **References Cited**

(71) Applicant: **J. Ocean Co., Ltd.**, Gyeonggi-Do (KR)

U.S. PATENT DOCUMENTS

(72) Inventor: **Jung Eui Hong**, Gyeonggi-Do (KR)

D366,434 S * 1/1996 Brown et al. D10/99

(73) Assignee: **J. Ocean Co., Ltd.** (KR)

* cited by examiner

(**) Term: **14 Years**

Primary Examiner — Antoine D Davis

(21) Appl. No.: **29/443,613**

(57) **CLAIM**

The ornamental design for an electric power monitor, as shown and described.

(22) Filed: **Jan. 18, 2013**

DESCRIPTION

(51) **LOC (10) Cl.** **10-04**

FIG. 1 is a front perspective view of an electric power monitor showing my new design;

(52) **U.S. Cl.**
USPC **D10/100**

FIG. 2 is a front view thereof;

(58) **Field of Classification Search**
USPC D10/96, 99–100, 102; 324/74, 142;
340/870.02; 702/61, 62; 709/217, 224,
709/225

FIG. 3 is a rear view thereof;

FIG. 4 is a left-side view thereof;

FIG. 5 is a right-side view thereof;

FIG. 6 is a top plan view thereof; and,

FIG. 7 is a bottom plan view thereof.

Broken lines in the drawings are for illustrative purposes only and form no part of the claimed design.

See application file for complete search history.

1 Claim, 7 Drawing Sheets

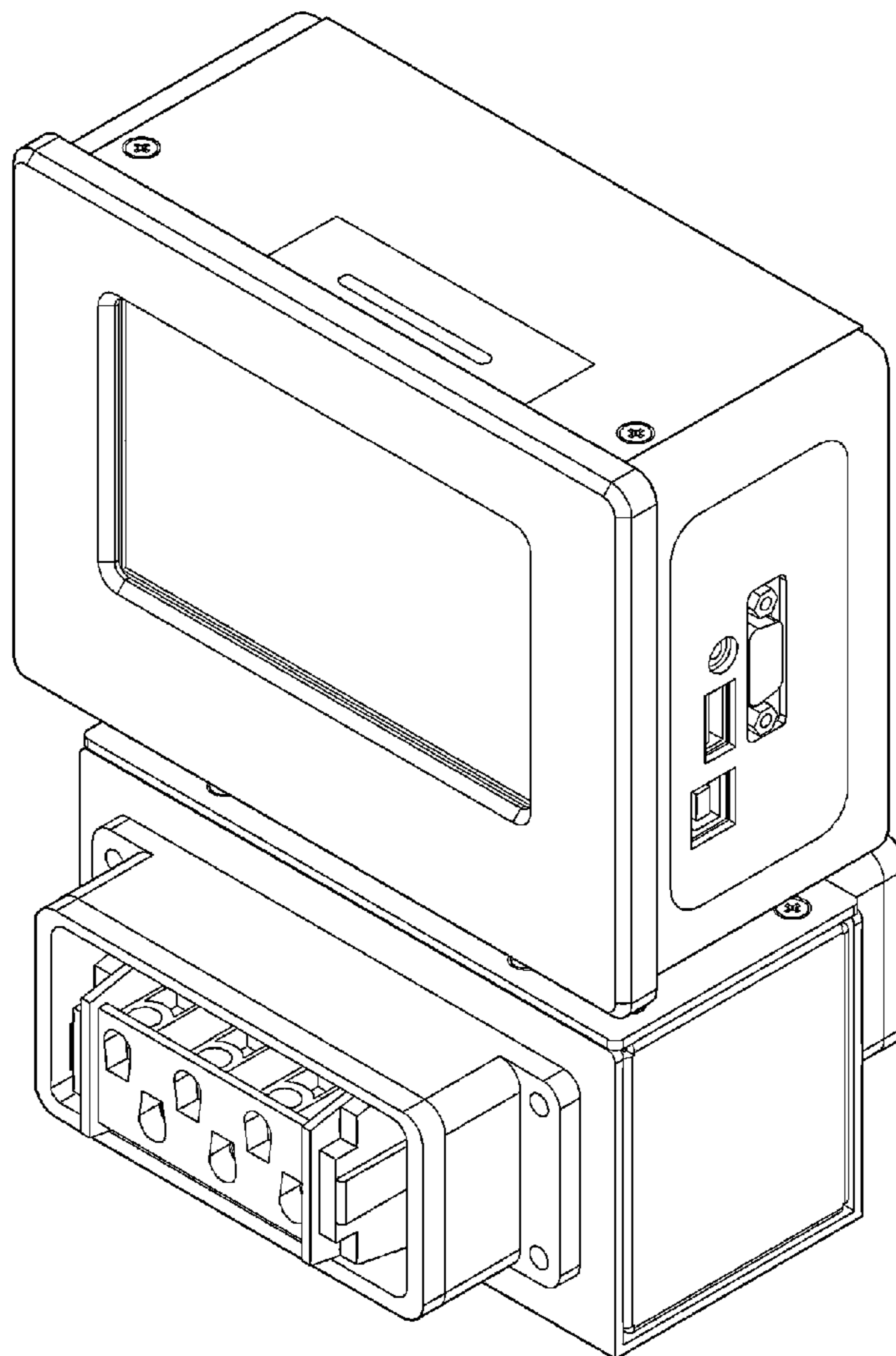


FIG. 1

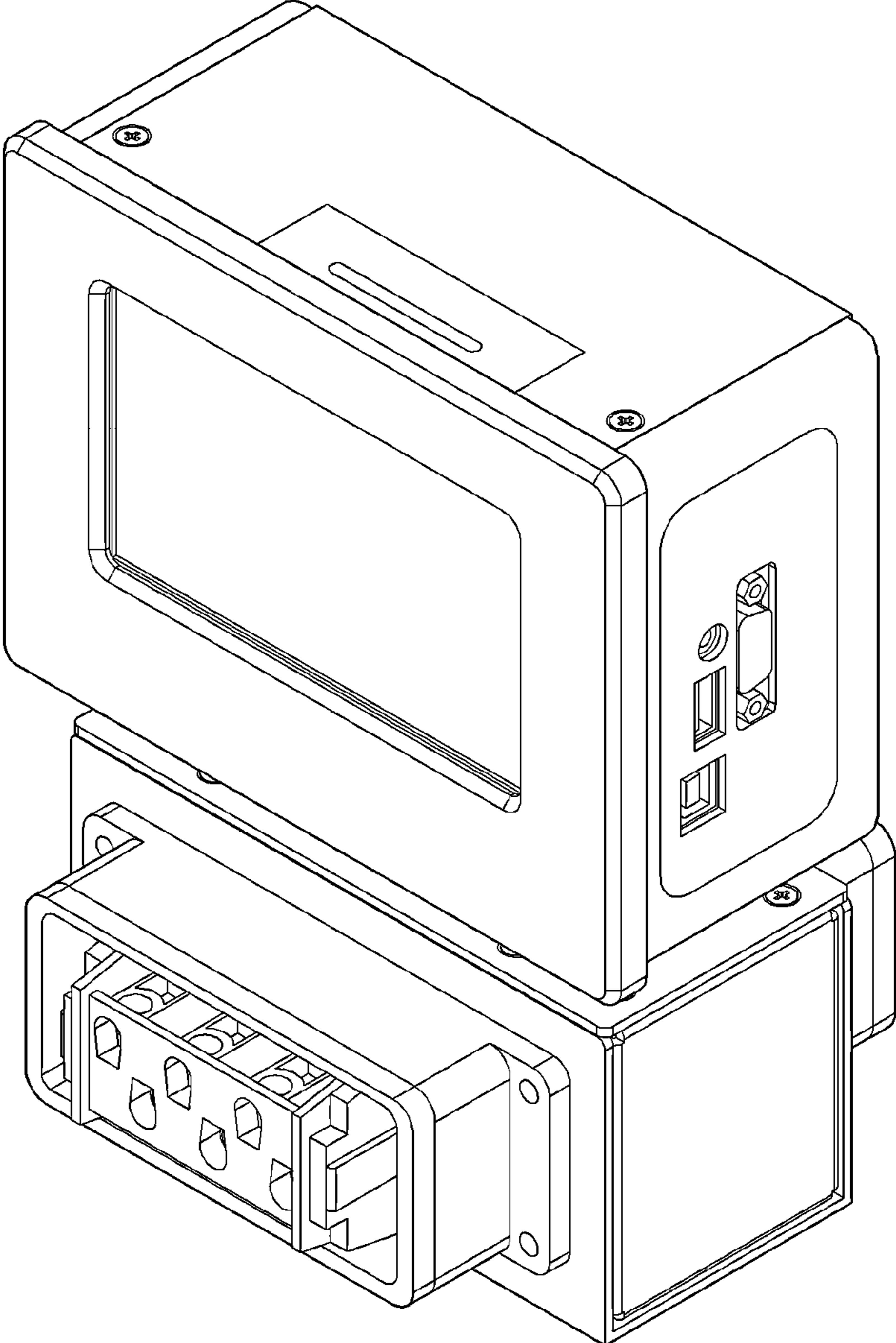


FIG. 2

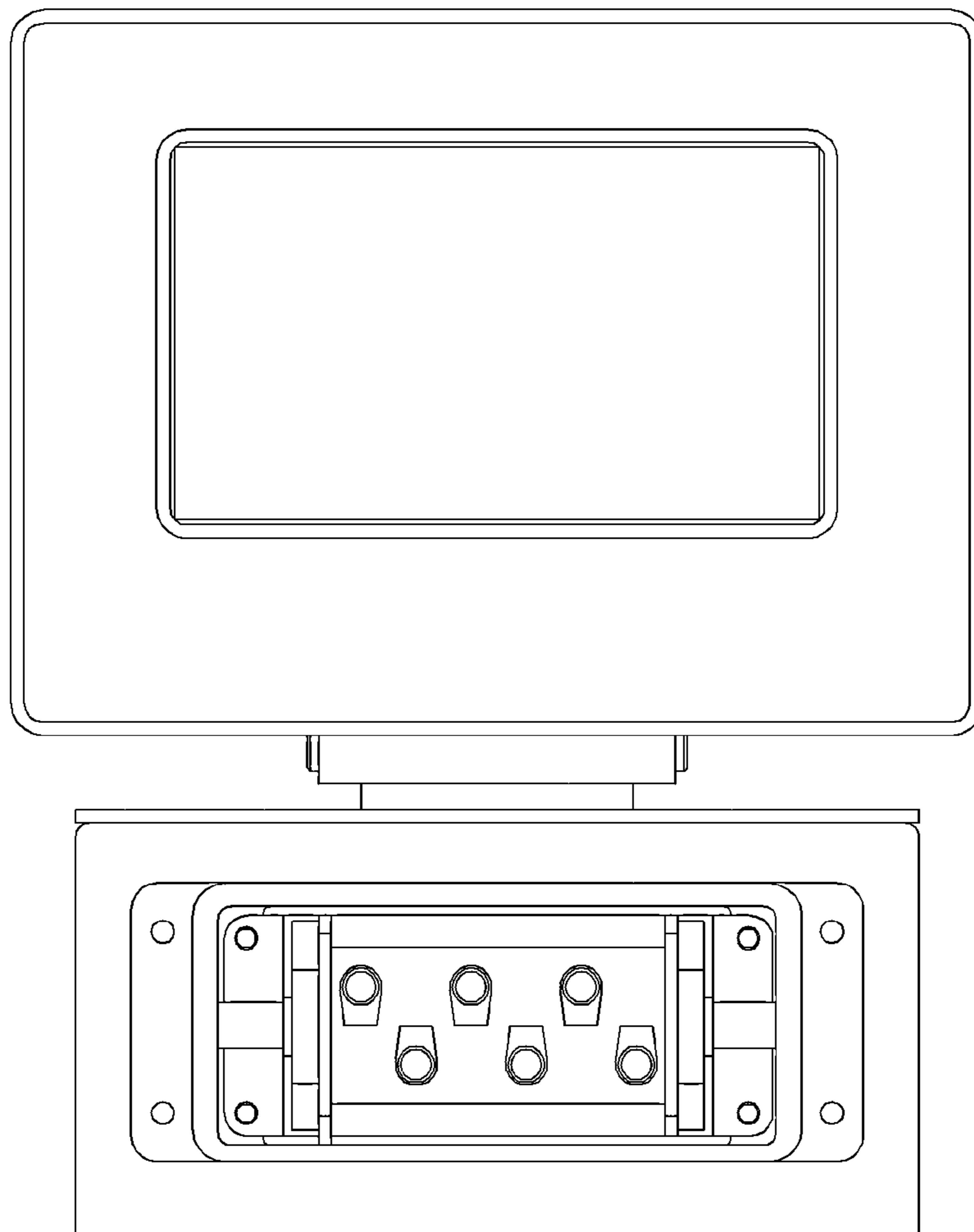


FIG. 3

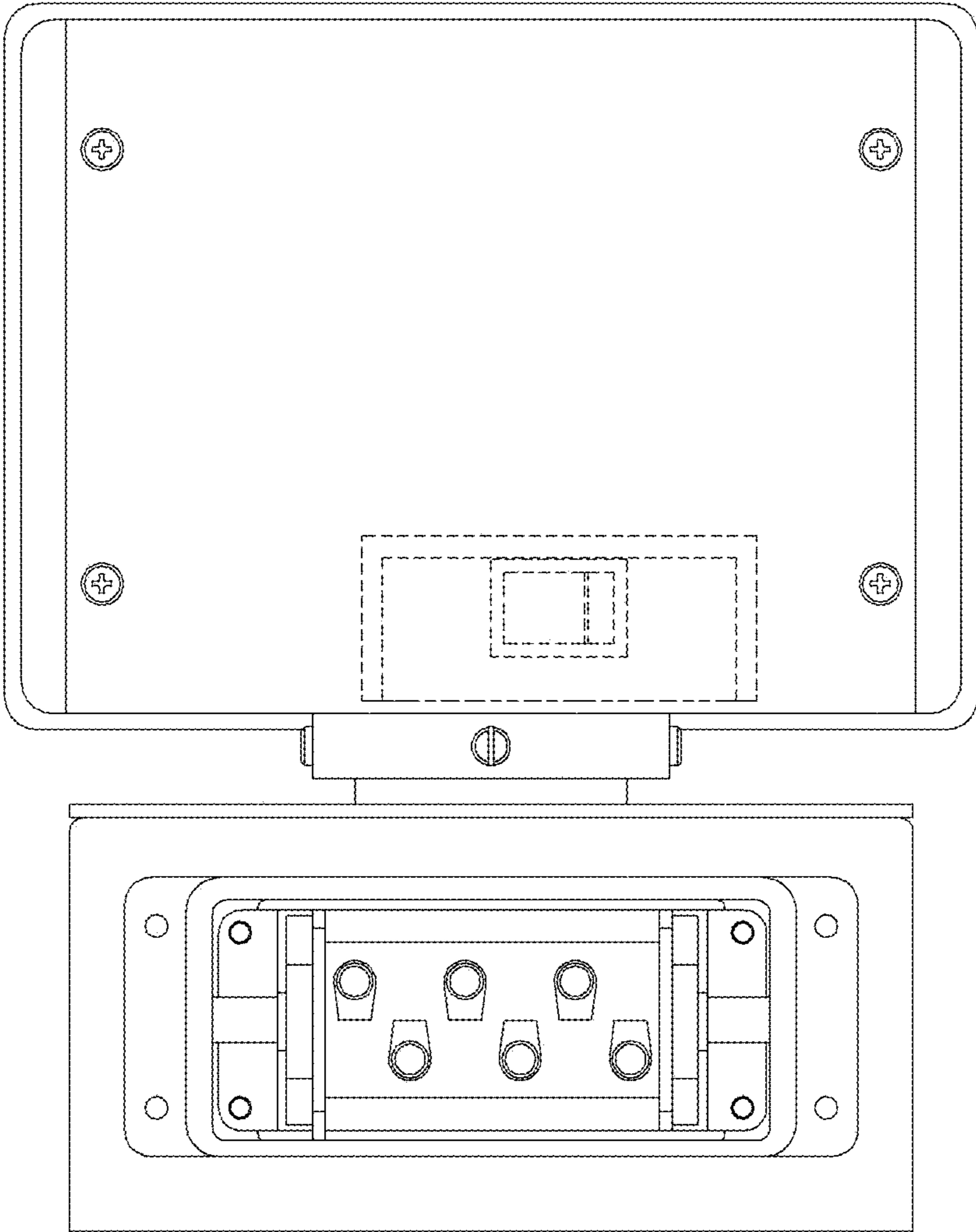


FIG. 4

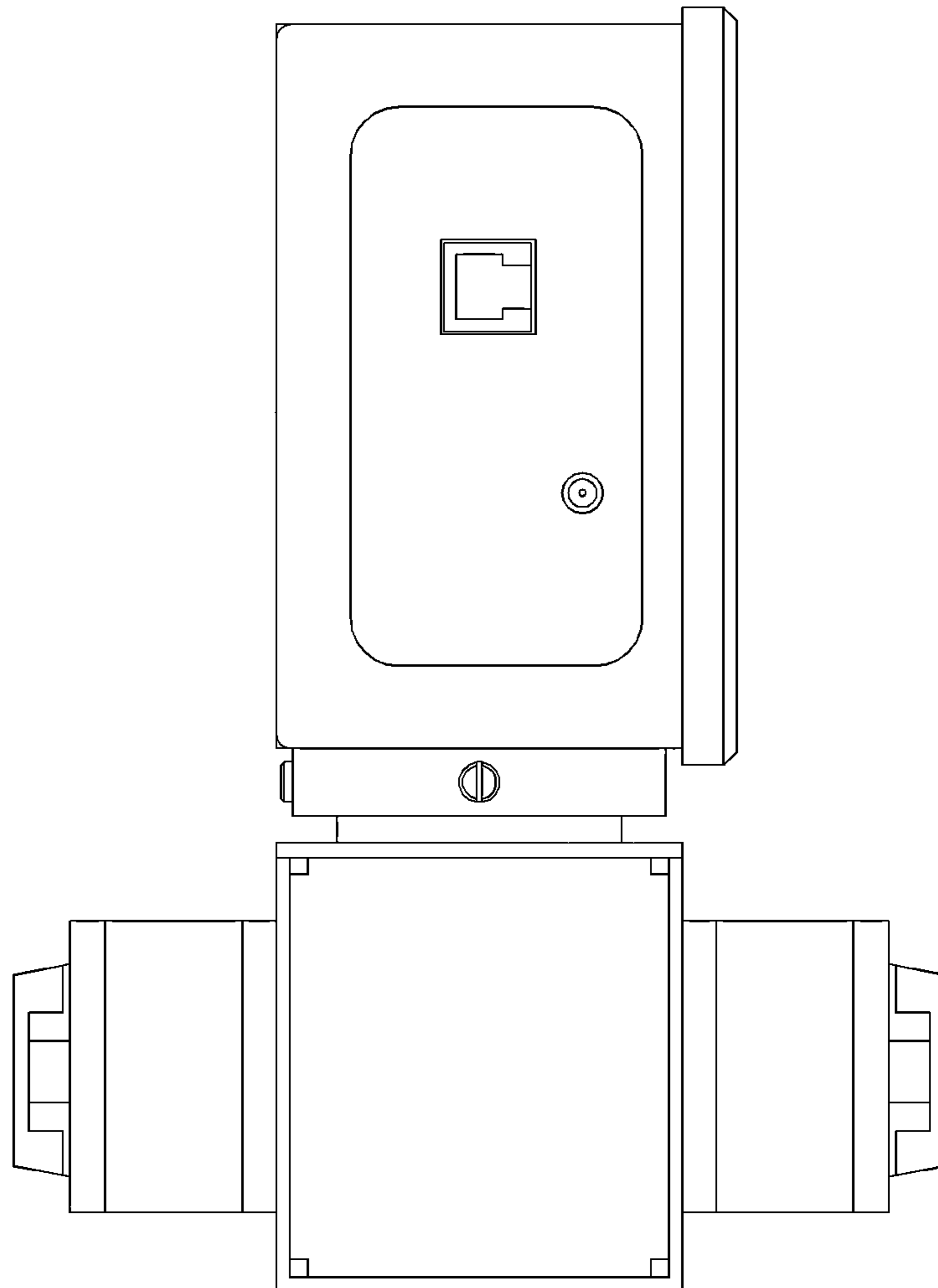


FIG. 5

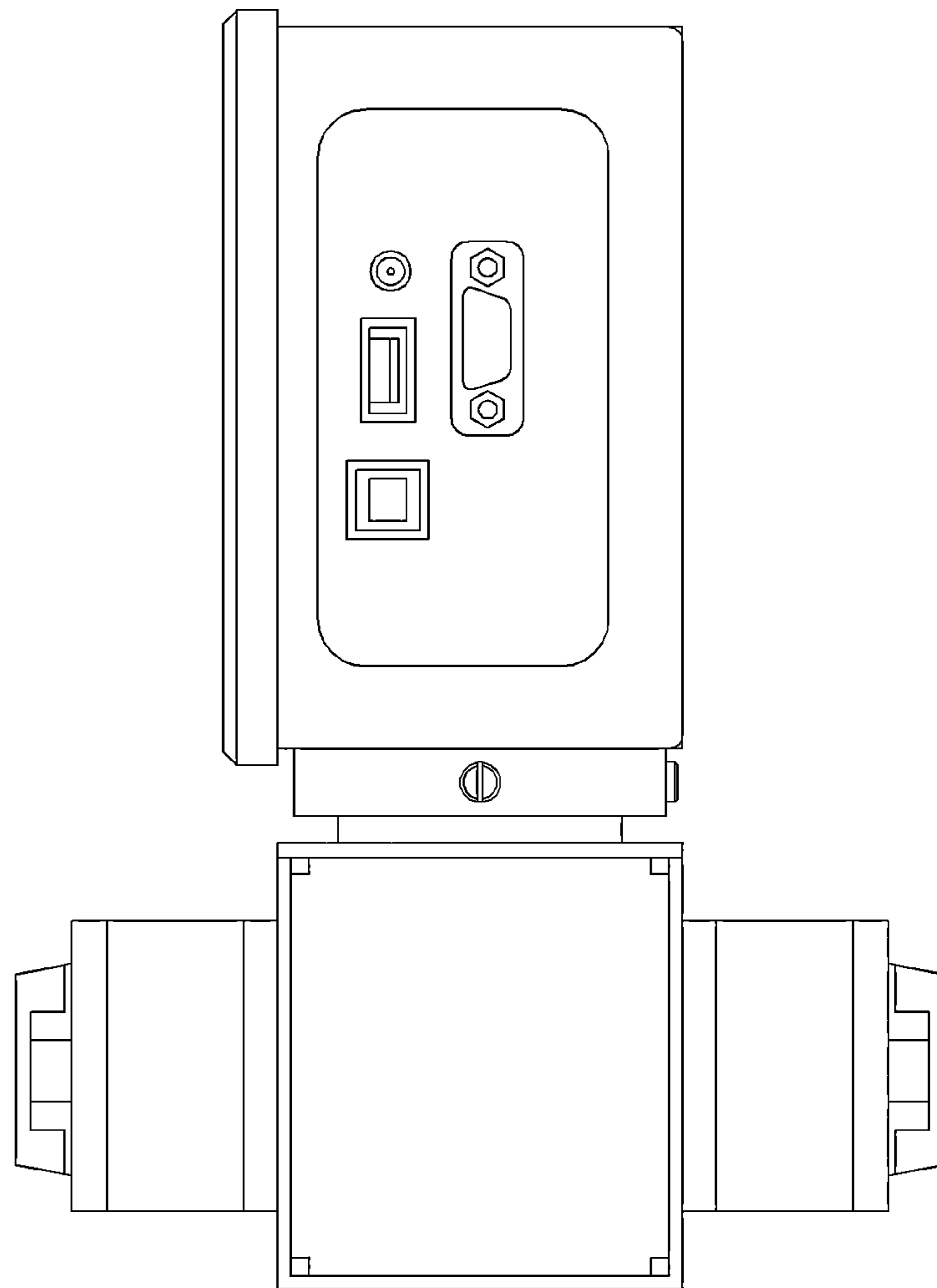


FIG. 6

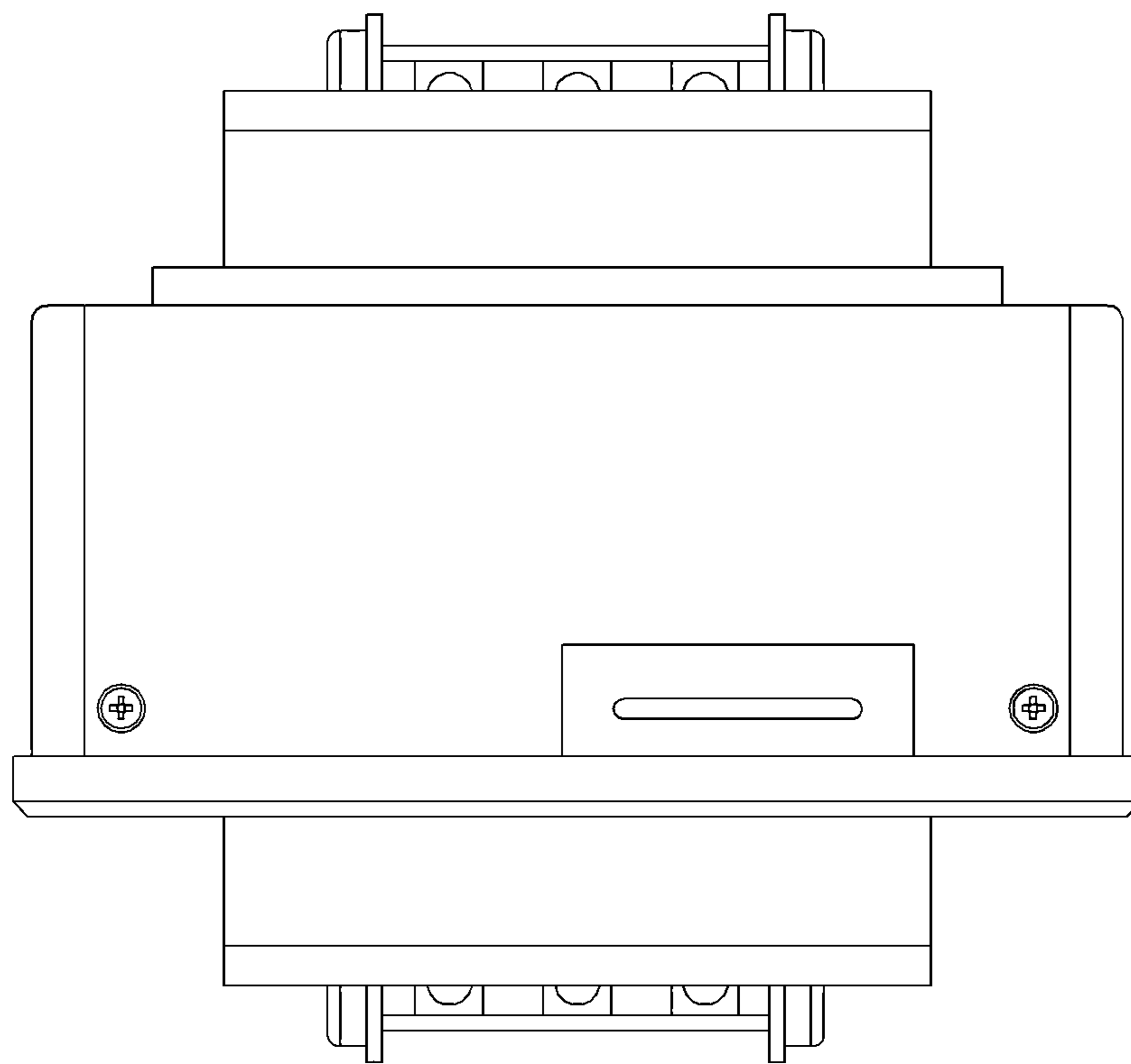


FIG. 7

