



US00D703077S

(12) **United States Design Patent**  
**Kagan et al.**

(10) **Patent No.:** **US D703,077 S**  
(45) **Date of Patent:** **\*\* Apr. 22, 2014**

(54) **MULTI-FEEDER POWER MONITOR**

(71) Applicant: **Electro Industries/Gauge Tech,**  
Westbury, NY (US)

(72) Inventors: **Erran Kagan,** Great Neck, NY (US);  
**Tibor Banhegyesi,** Baldwin, NY (US);  
**Avi Cohen,** Great Neck, NY (US)

(73) Assignee: **Electro Industries/Gauge Tech,**  
Westbury, NY (US)

(\*\*) Term: **14 Years**

(21) Appl. No.: **29/455,044**

(22) Filed: **May 16, 2013**

**Related U.S. Application Data**

(63) Continuation of application No. 29/410,201, filed on  
Jan. 5, 2012, now Pat. No. Des. 682,721.

(51) **LOC (10) Cl.** ..... **10-04**

(52) **U.S. Cl.**  
USPC ..... **D10/99; D10/100**

(58) **Field of Classification Search**  
USPC ..... D10/96, 99-100, 102; 324/74, 142;  
340/870.02; 702/61, 62; 709/217, 224,  
709/225

See application file for complete search history.

(56) **References Cited**

**U.S. PATENT DOCUMENTS**

D241,006 S	8/1976	Wallace
D332,923 S	2/1993	Polydoris et al.
D343,786 S	2/1994	Hines et al.
D348,019 S	6/1994	Kocol et al.
5,581,470 A	12/1996	Pawloski
D427,533 S	7/2000	Cowan et al.
D429,655 S	8/2000	Cowan et al.
D435,471 S	12/2000	Simbeck et al.
D439,535 S	3/2001	Cowan et al.

D443,541 S	6/2001	Hancock et al.
D455,066 S	4/2002	Kolinen
D458,863 S	6/2002	Harding et al.
D459,259 S	6/2002	Harding et al.
6,476,595 B1	11/2002	Heuell et al.
6,476,729 B1	11/2002	Liu
6,745,138 B2	6/2004	Przydatek et al.
D525,893 S	8/2006	Kagan et al.
D526,920 S	8/2006	Kagan et al.
D545,181 S	6/2007	Kagan et al.
7,271,996 B2	9/2007	Kagan et al.

(Continued)

*Primary Examiner* — Antoine D Davis

(74) *Attorney, Agent, or Firm* — Gerald E. Hespos; Michael  
J. Porco; Matthew T. Hespos

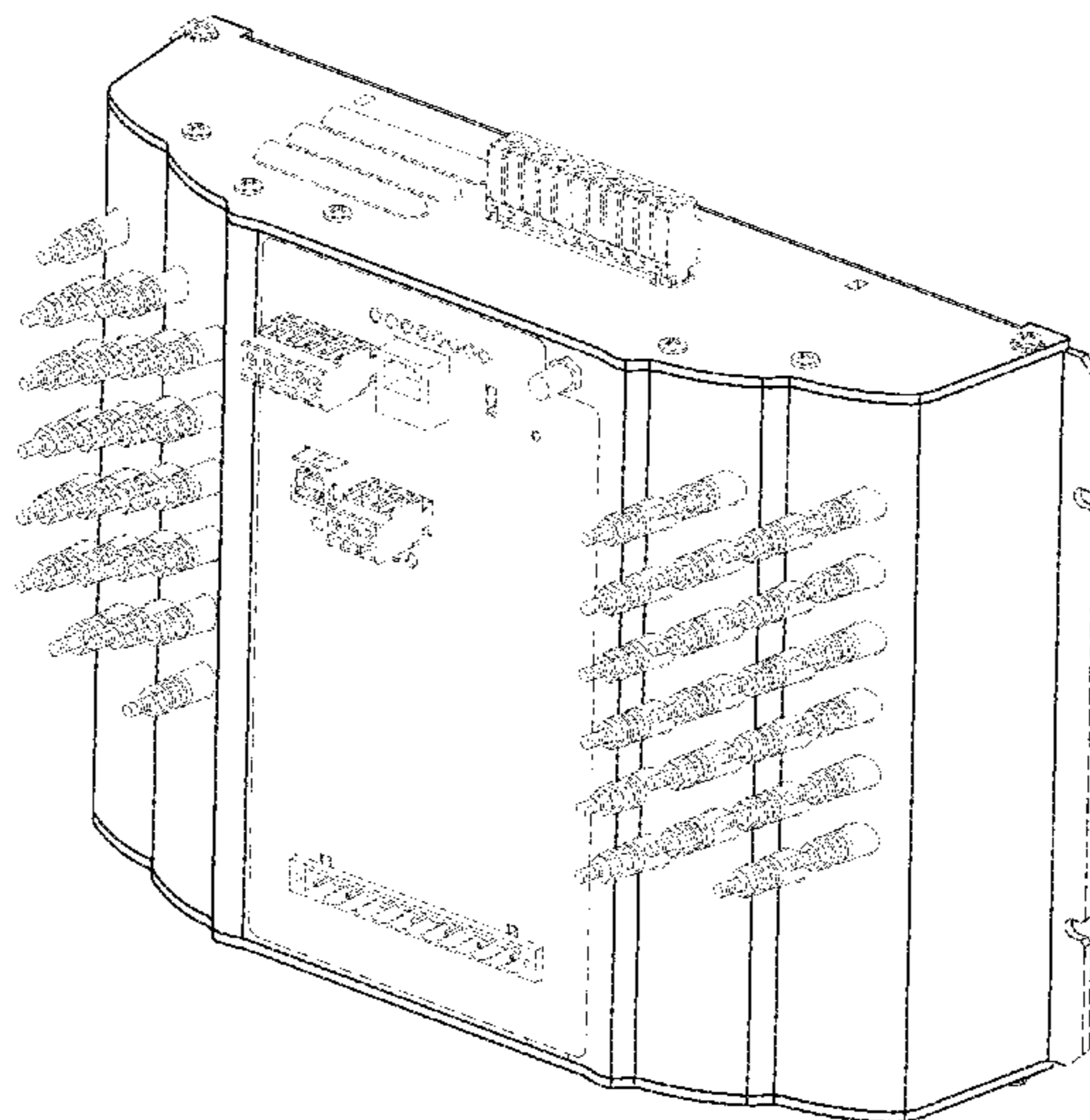
(57) **CLAIM**

The ornamental design of a “multi-feeder power monitor”, as  
shown and described.

**DESCRIPTION**

FIG. 1 is a front perspective view of a multi-feeder power  
monitor of our new, original and ornamental design;  
FIG. 2 is a rear perspective view of the multi-feeder power  
monitor of FIG. 1;  
FIG. 3 is a top plan view of the multi-feeder power monitor of  
FIG. 1;  
FIG. 4 is a rear elevational view of the multi-feeder power  
monitor of FIG. 1;  
FIG. 5 is a right side view of the multi-feeder power monitor  
of FIG. 1;  
FIG. 6 is a left side view of the multi-feeder power monitor of  
FIG. 1;  
FIG. 7 is a front elevational view of the multi-feeder power  
monitor of FIG. 1; and,  
FIG. 8 is a bottom plan view of the multi-feeder power moni-  
tor of FIG. 1.  
The broken lines shown in FIGS. 1-8 form no part of the  
claimed design.

**1 Claim, 8 Drawing Sheets**



(56)

**References Cited**

U.S. PATENT DOCUMENTS

7,417,419 B2 8/2008 Tate  
7,868,782 B2 1/2011 Ehrke et al.  
D642,083 S \* 7/2011 Blanc et al. .... D10/100  
D653,572 S 2/2012 Ohtani et al.

8,176,174 B2 5/2012 Kagan  
D666,933 S 9/2012 Hoffman et al.  
8,310,403 B2 11/2012 Nahar  
8,325,057 B2 12/2012 Salter  
D682,720 S 5/2013 Kagan et al.  
D682,721 S 5/2013 Kagan et al.

\* cited by examiner

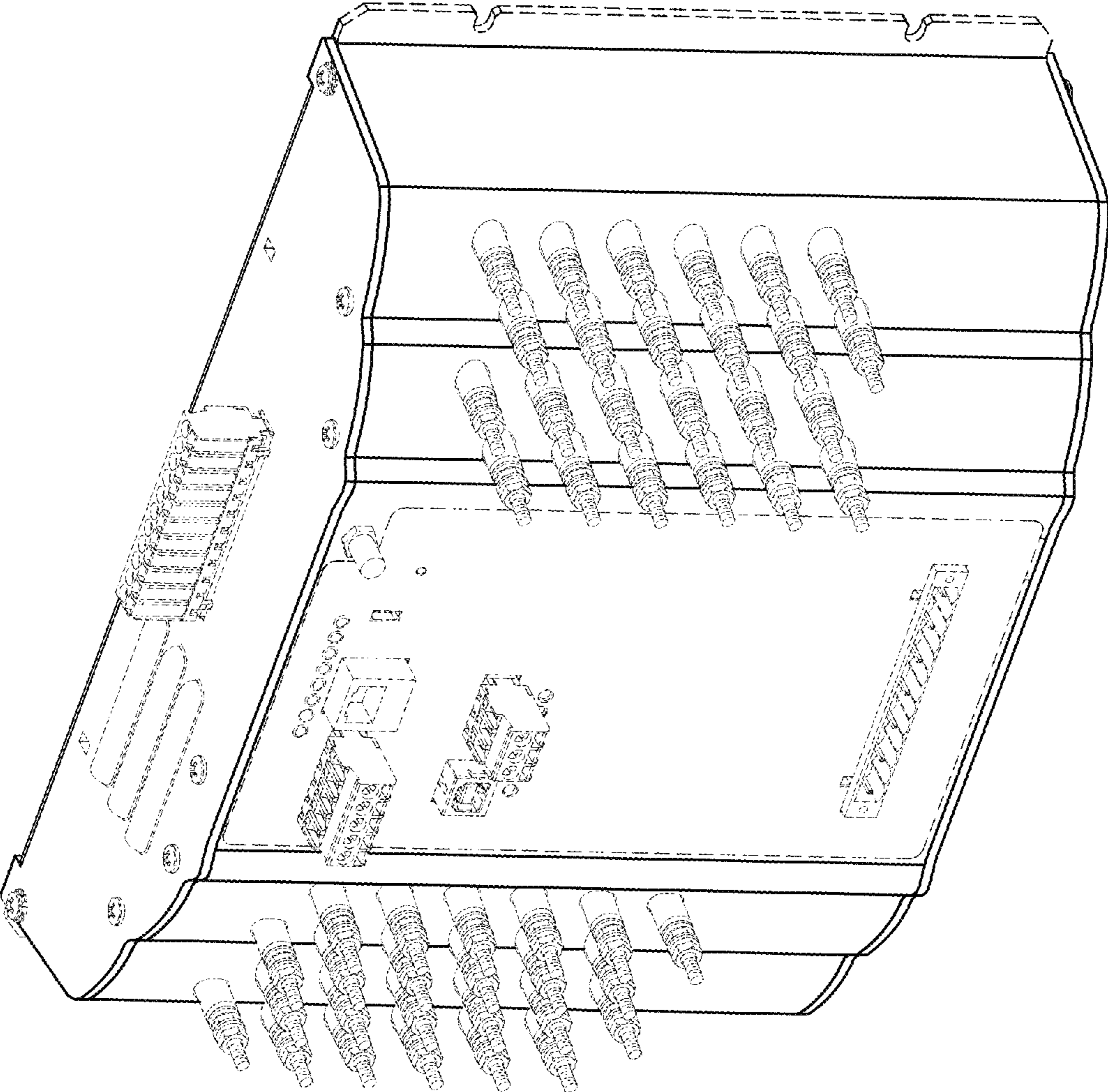


FIG.1

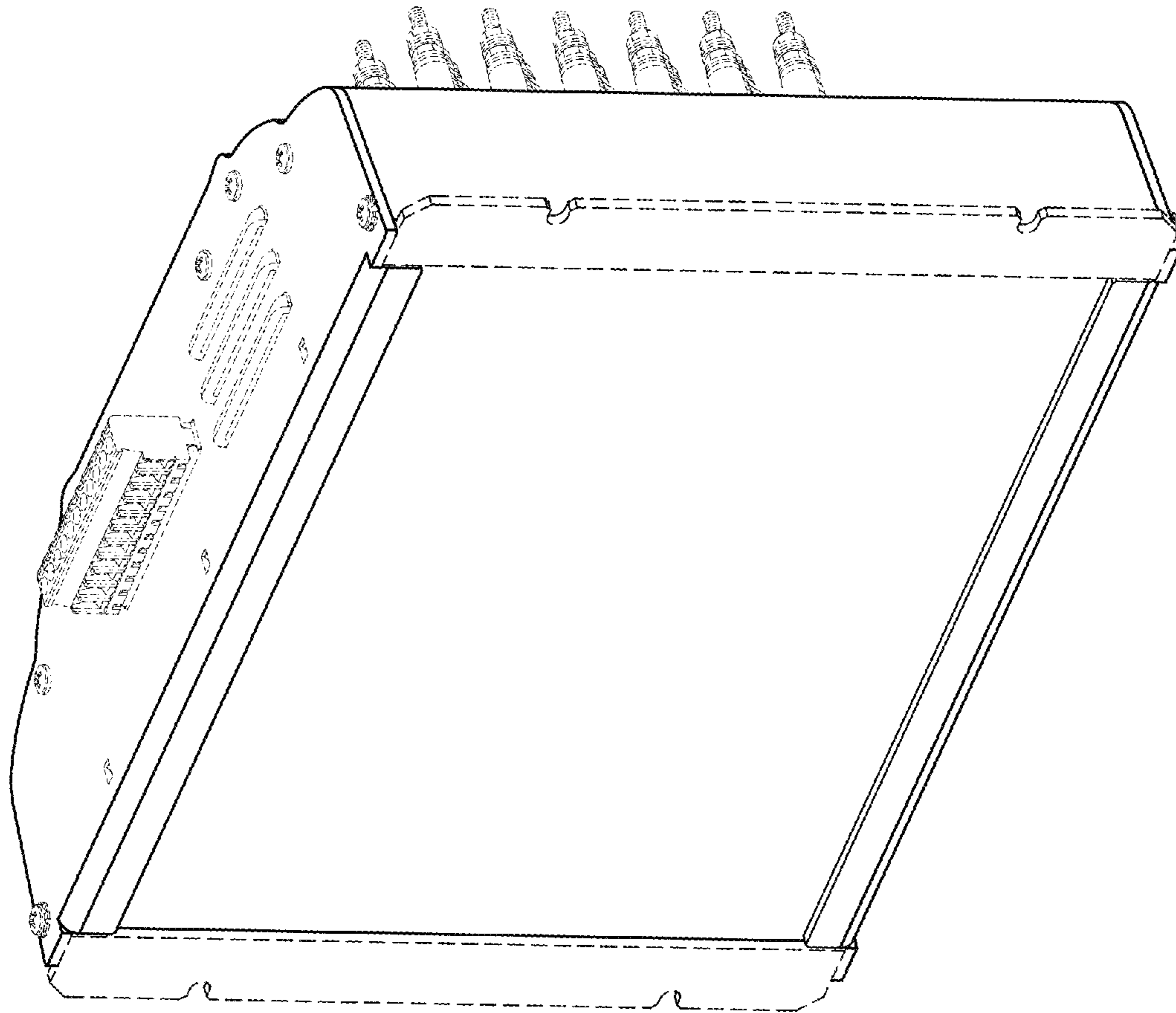


FIG.2

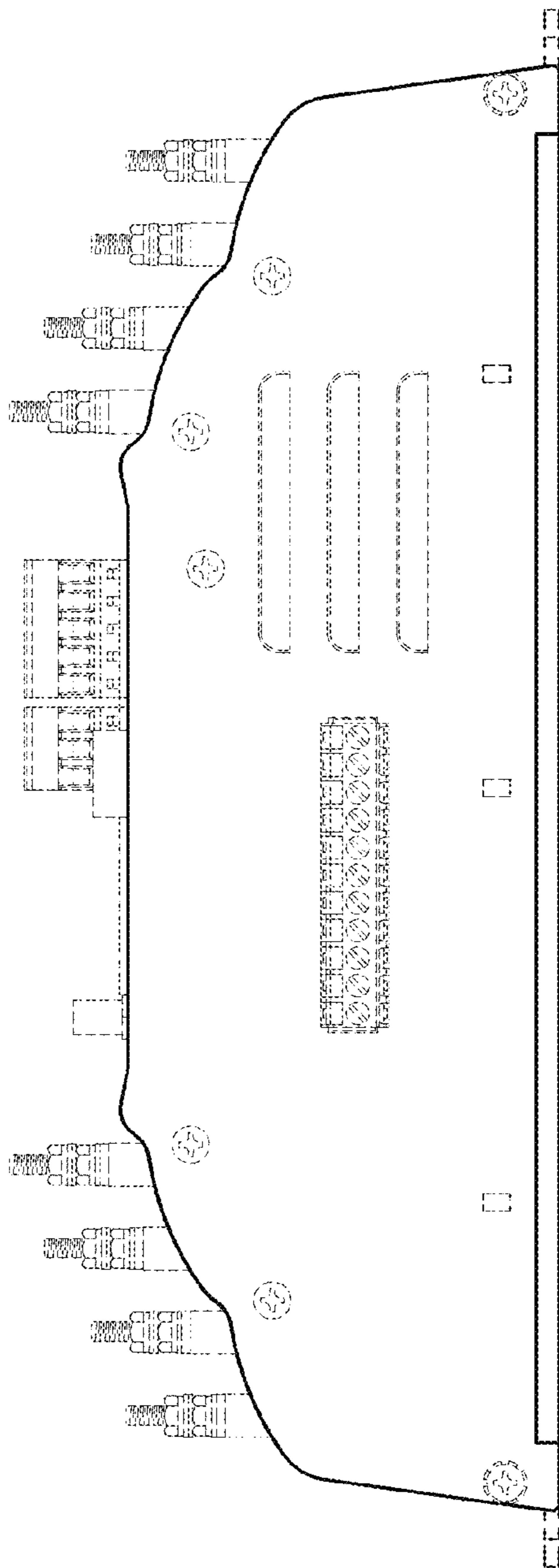


FIG. 3

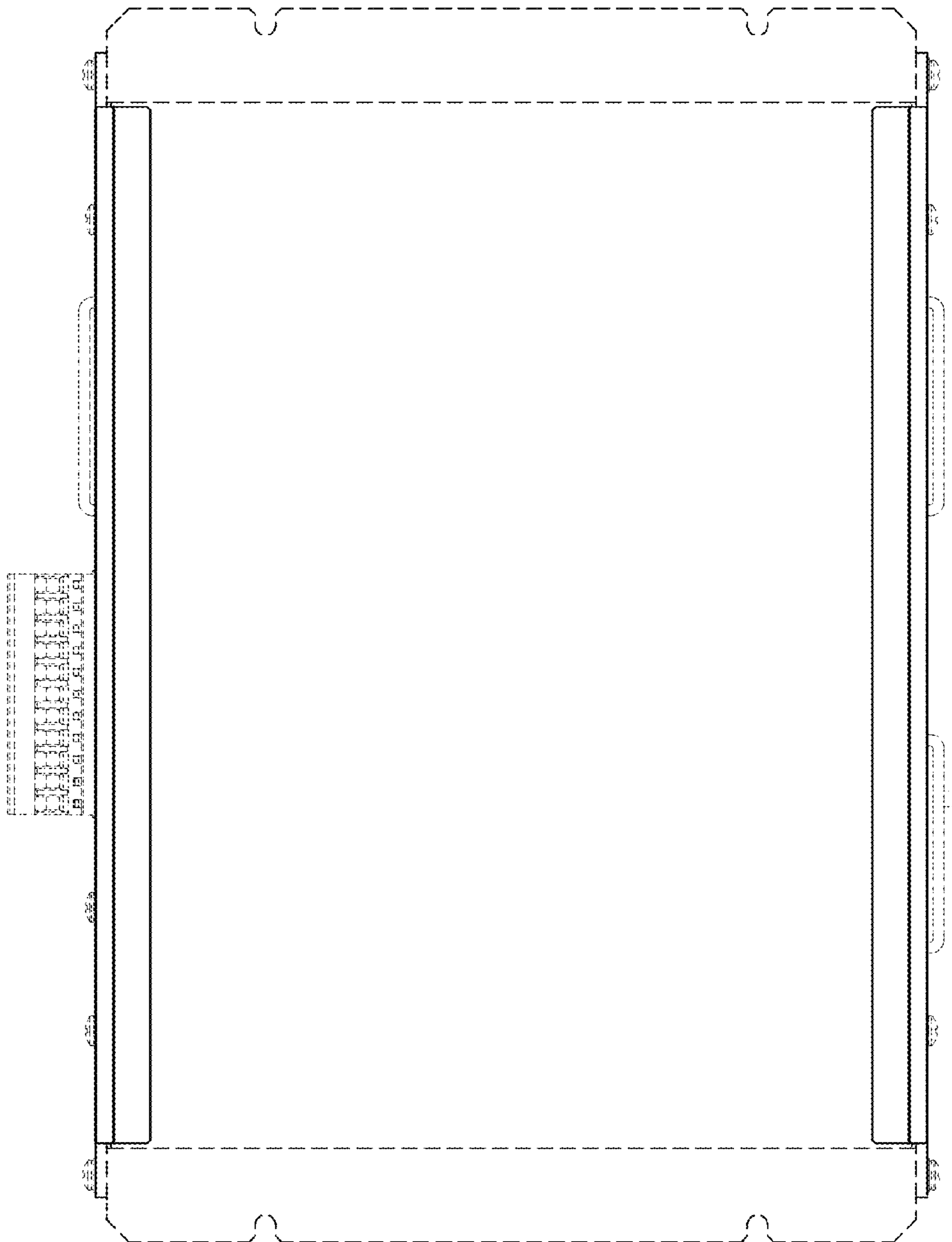


FIG.4

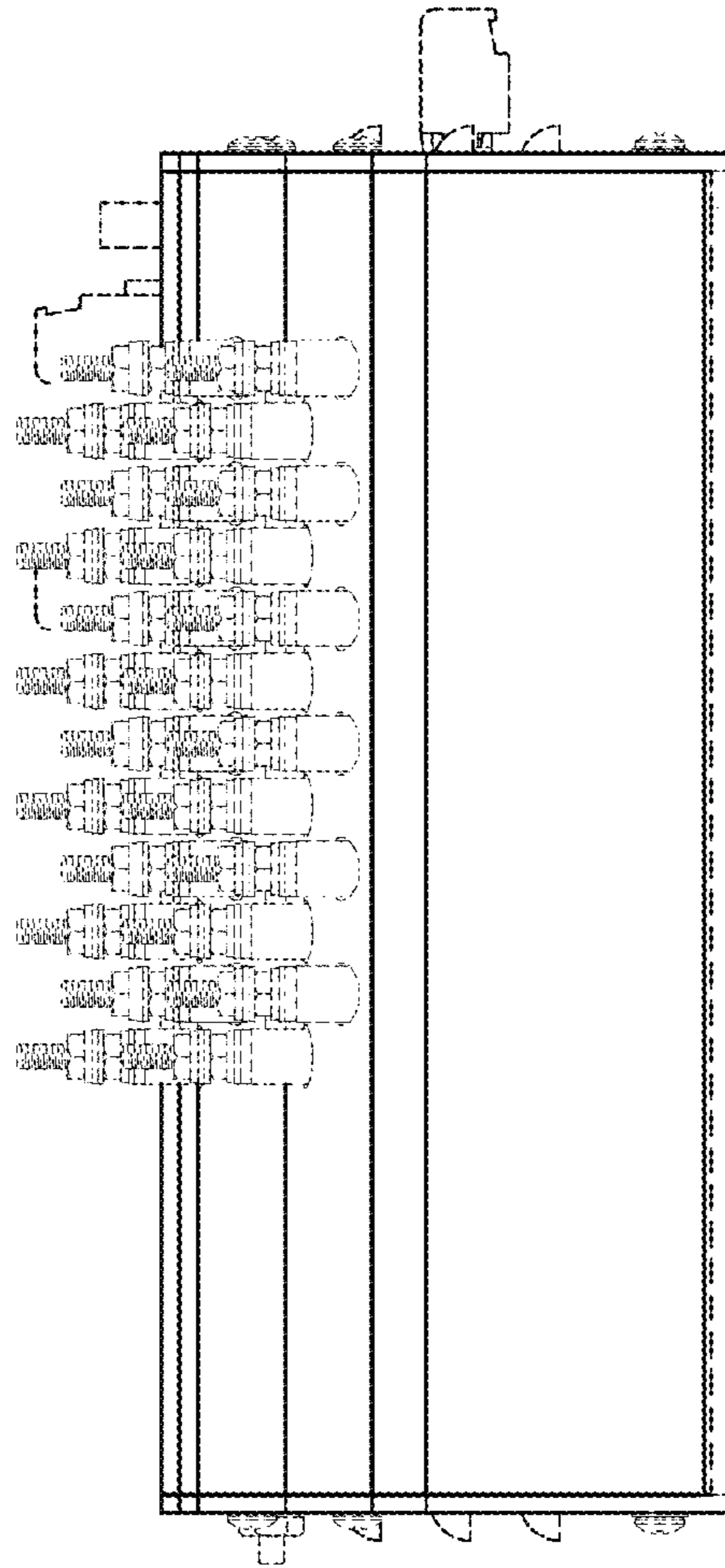


FIG.5

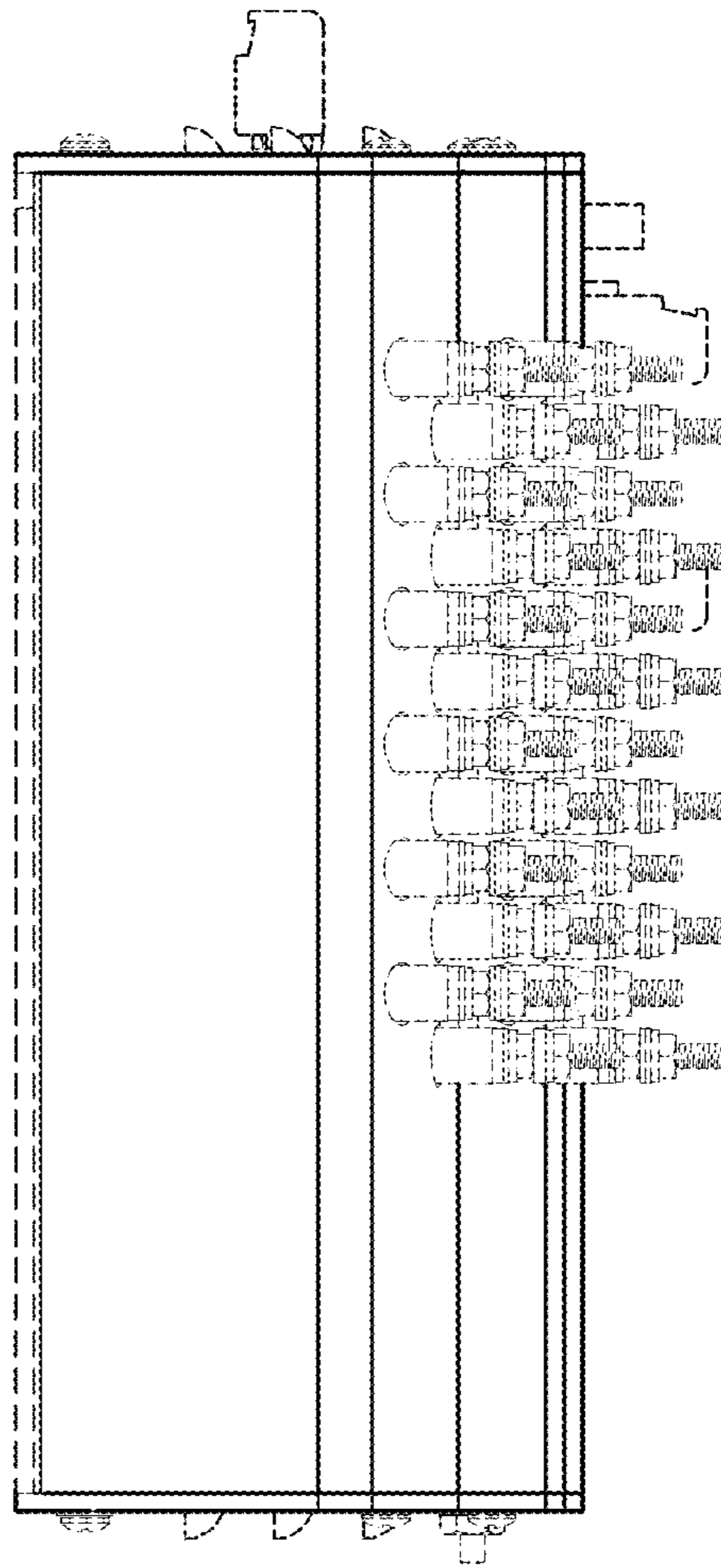


FIG.6



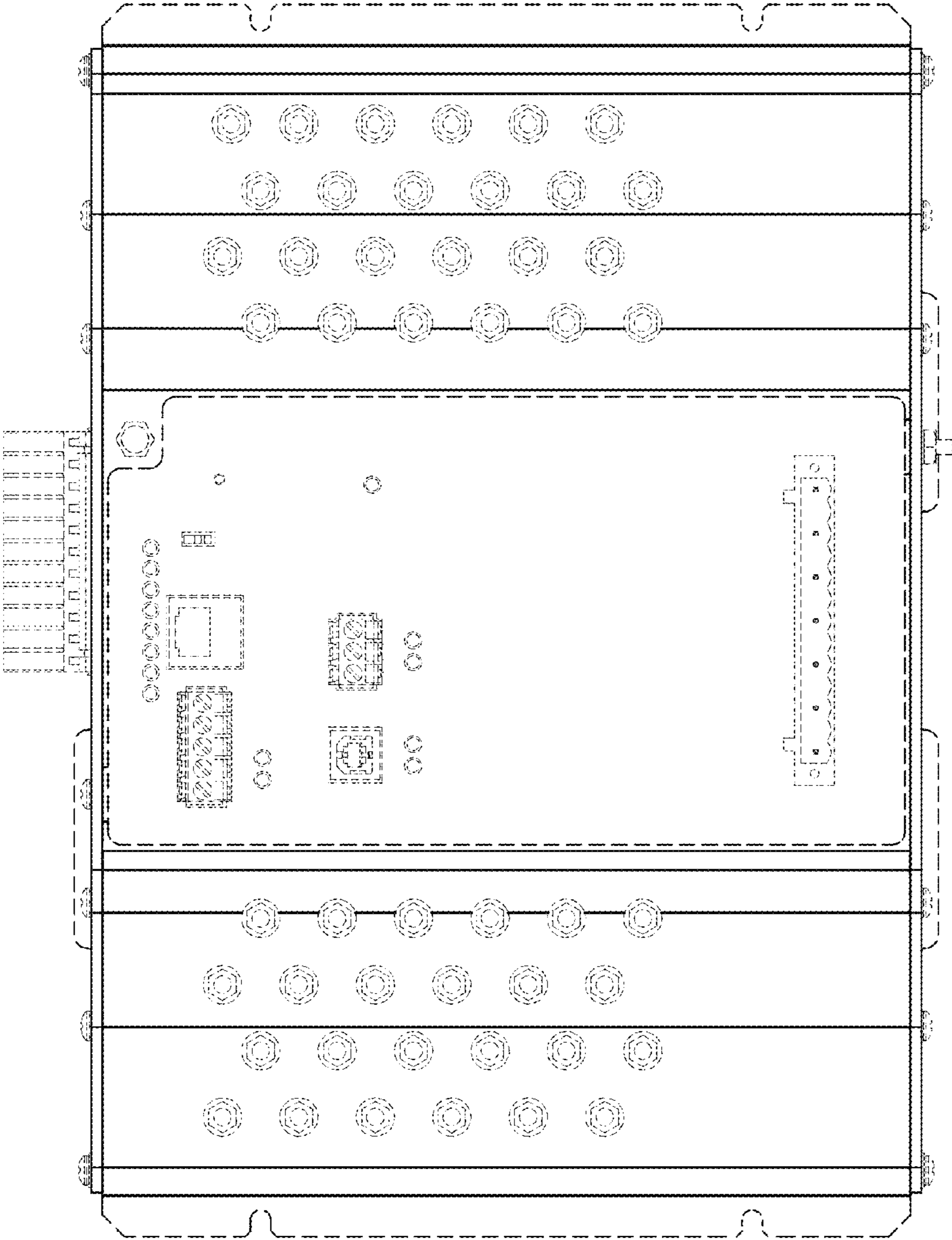


FIG.7

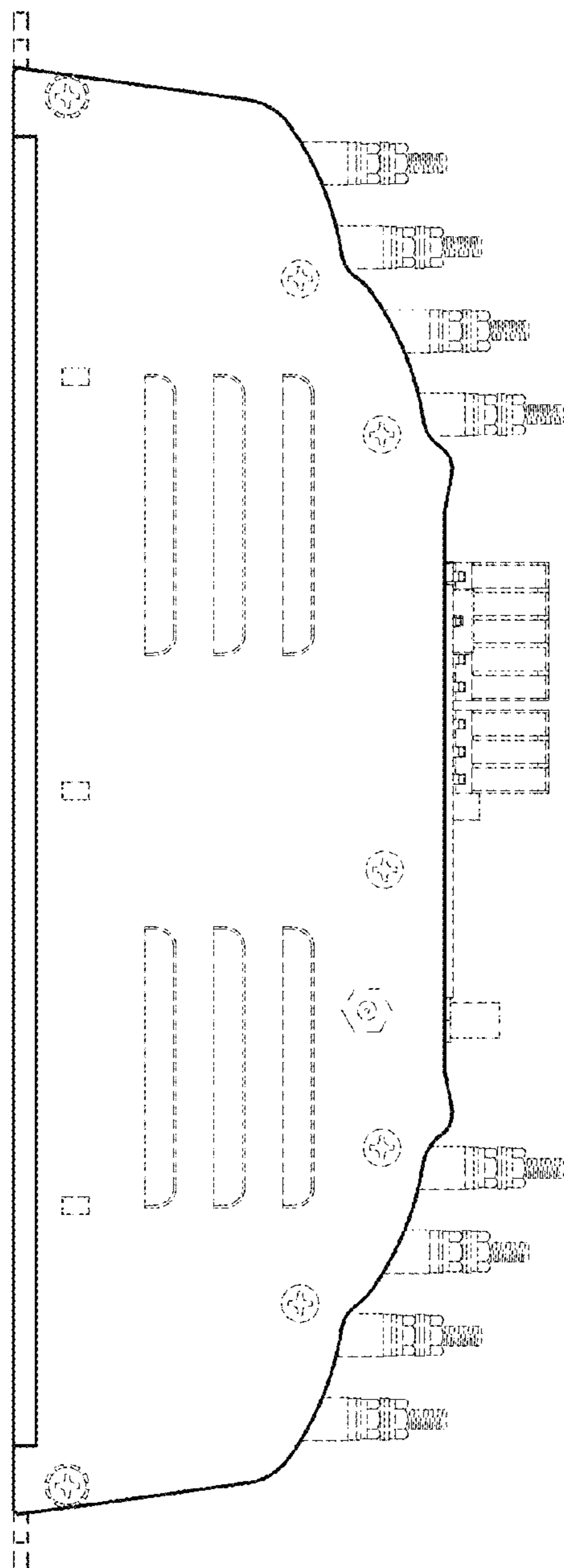


FIG.8