



US00D703074S

(12) **United States Design Patent**
Knopp et al.

(10) **Patent No.:** **US D703,074 S**

(45) **Date of Patent:** **** Apr. 22, 2014**

(54) **HANDHELD SENSOR**

(71) Applicant: **908 Devices, Inc.**, Boston, MA (US)

(72) Inventors: **Kevin J. Knopp**, Brookline, MA (US);
Michael Jobin, Boston, MA (US);
Christopher D. Brown, Los Gatos, CA (US)

(73) Assignee: **908 Devices Inc.**, Boston, MA (US)

(**) Term: **14 Years**

(21) Appl. No.: **29/441,109**

(22) Filed: **Dec. 31, 2012**

(51) **LOC (10) Cl.** **10-04**

(52) **U.S. Cl.**
USPC **D10/81; D10/78**

(58) **Field of Classification Search**
USPC **D10/78, 81; 250/281–283, 288–292, 250/396, 423 R, 424**

See application file for complete search history.

(56) **References Cited**

U.S. PATENT DOCUMENTS

D338,417 S *	8/1993	Van Aken et al.	D10/78
D392,906 S *	3/1998	Shestock et al.	D10/78
D447,713 S *	9/2001	Stevenson et al.	D10/78
D458,167 S *	6/2002	Slocum et al.	D10/81

* cited by examiner

Primary Examiner — Antoine D Davis

(74) *Attorney, Agent, or Firm* — Fish & Richardson P.C.

(57) **CLAIM**

The ornamental design for a handheld sensor, substantially as shown and described.

DESCRIPTION

FIG. 1 shows a perspective view of a Design of a handheld sensor.

FIG. 2 shows a front view of the Design.

FIG. 3 shows a rear view of the Design.

FIG. 4 shows a right side view of the Design.

FIG. 5 shows a left side view of the Design.

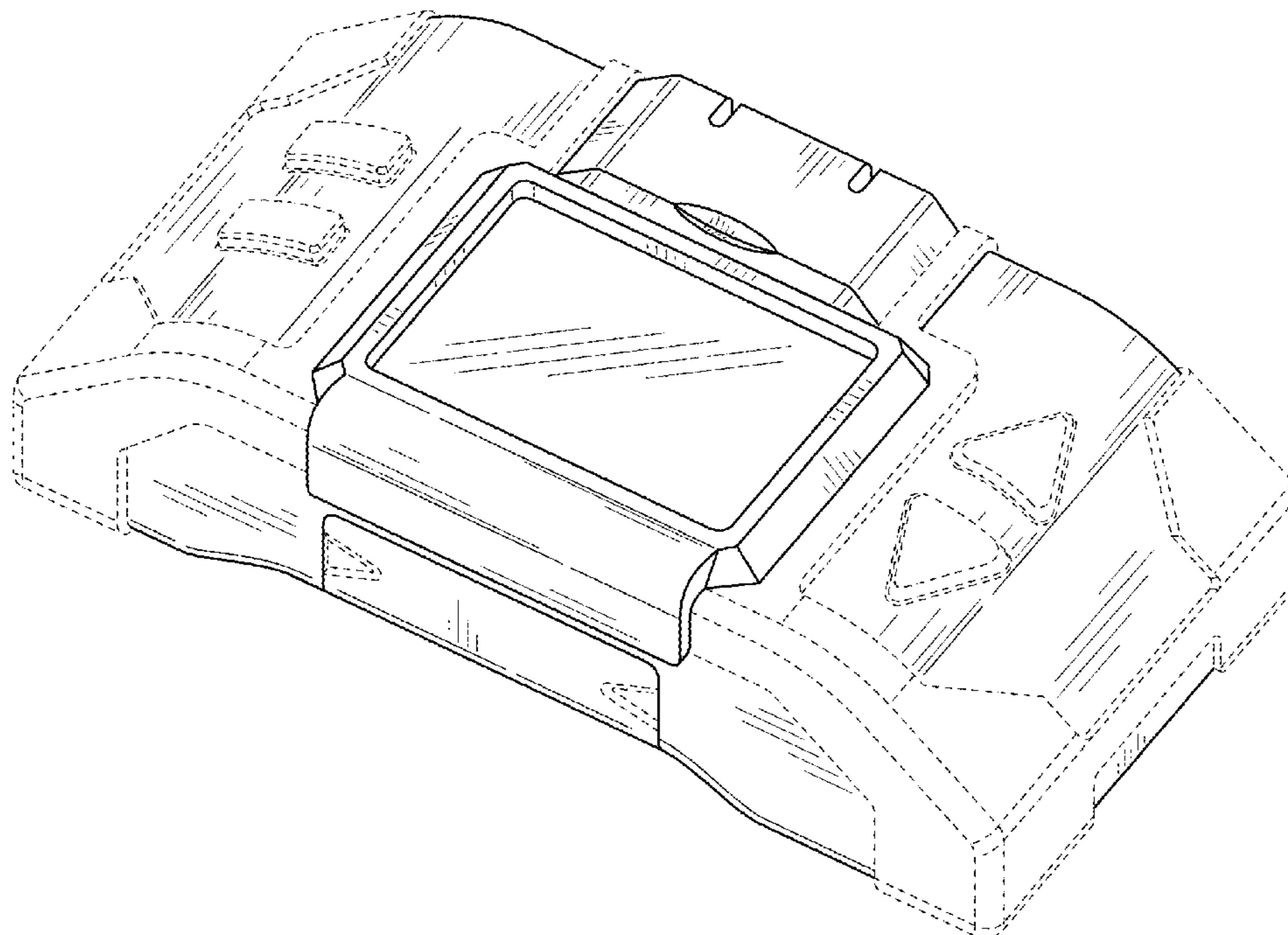
FIG. 6 shows a top view of the Design.

FIG. 7 shows a bottom view of the Design; and,

FIG. 8 shows a perspective view of the Design with the cover open.

The broken lines shown in the drawings represent unclaimed portions of the handheld sensor and form no part of the claimed design.

1 Claim, 4 Drawing Sheets



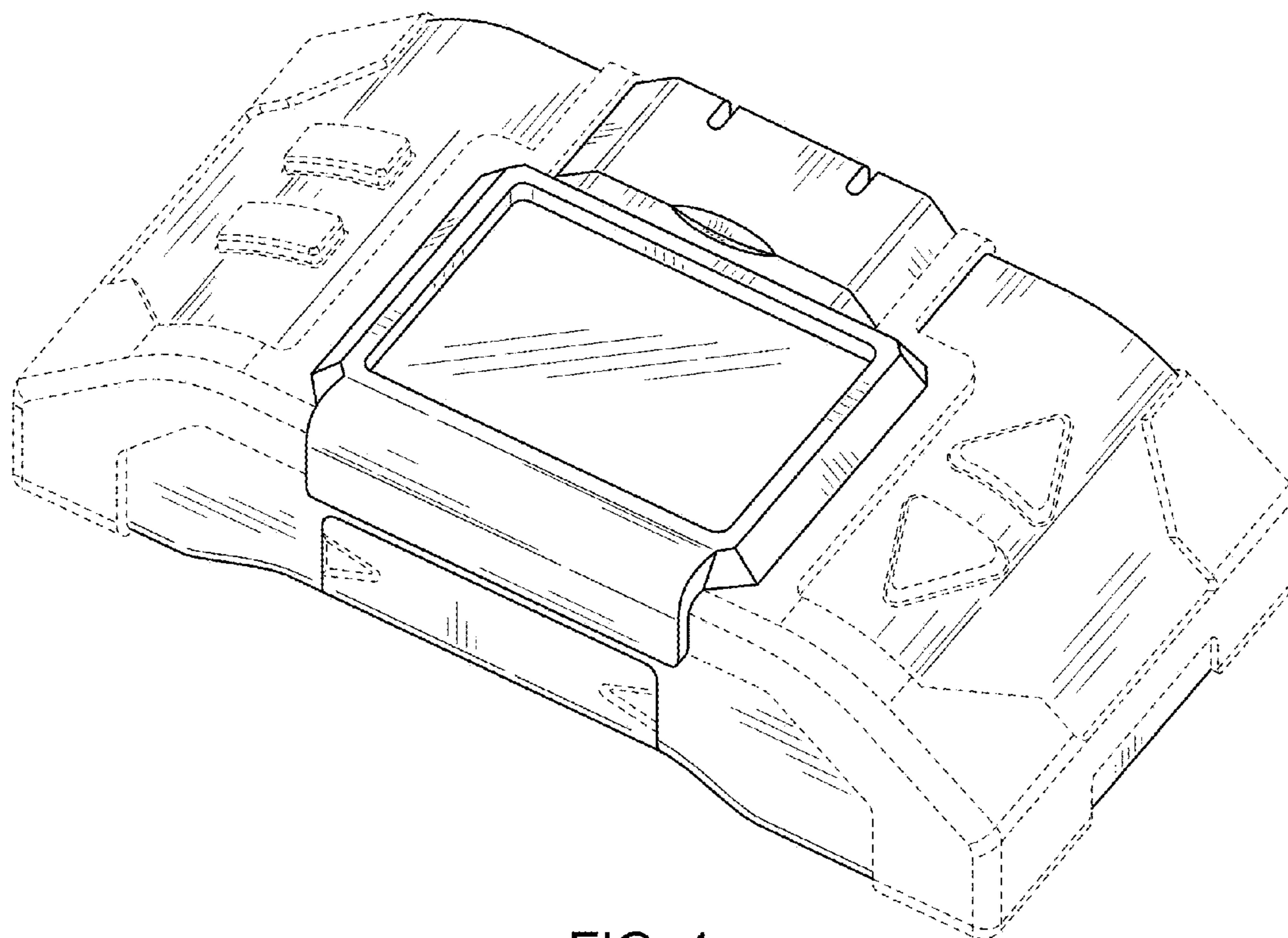


FIG. 1

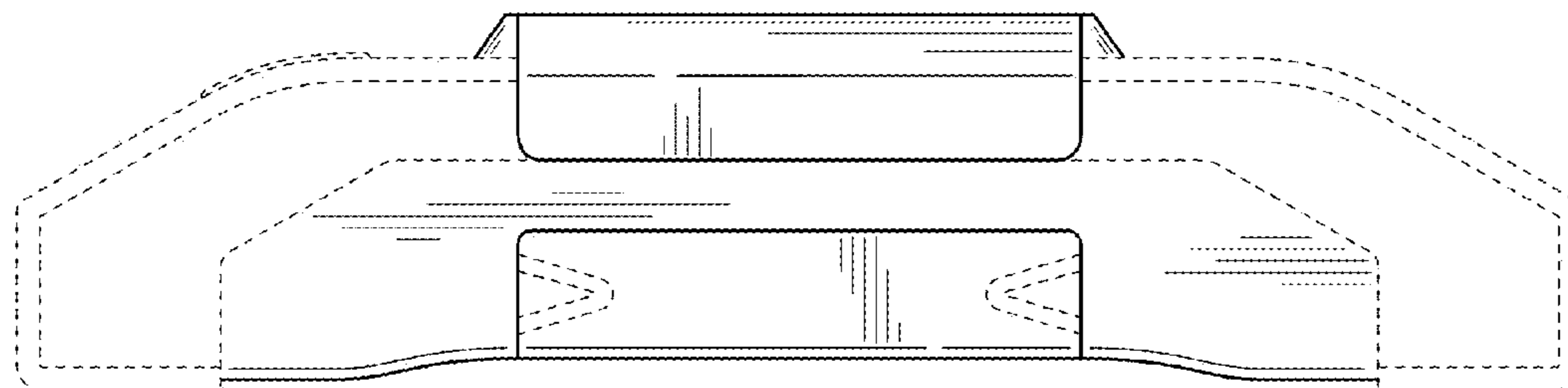


FIG. 2

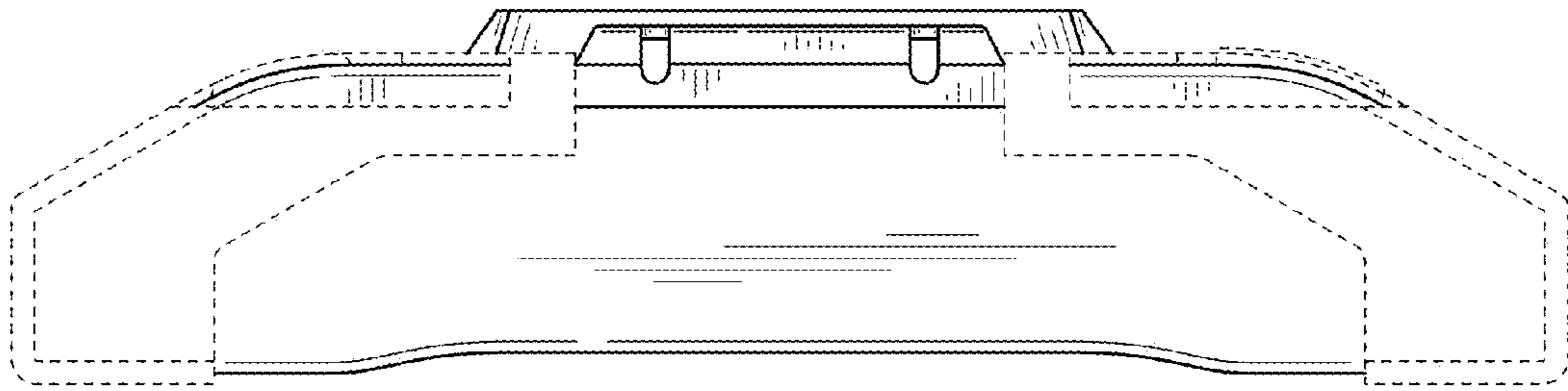


FIG. 3

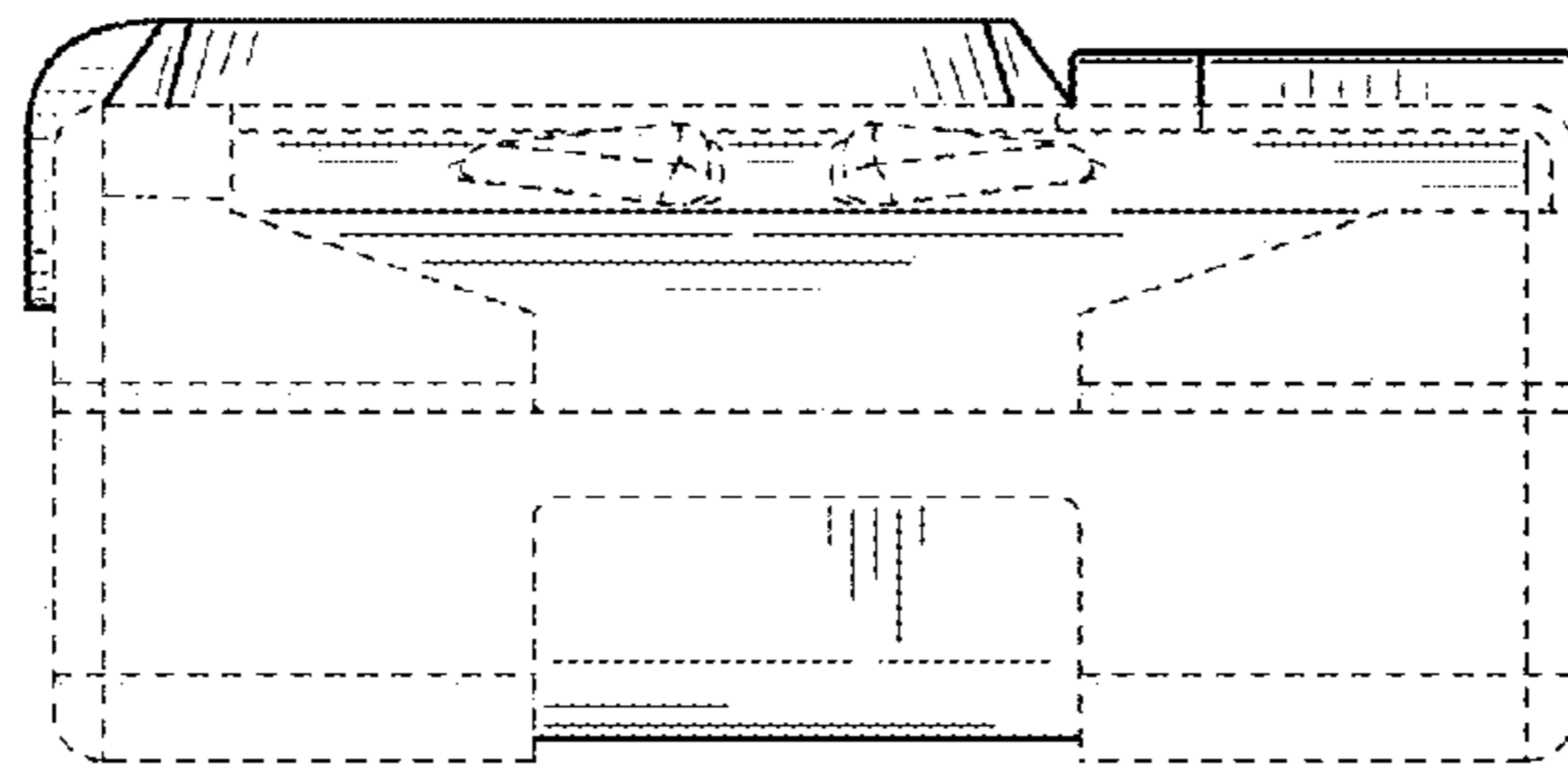


FIG. 4

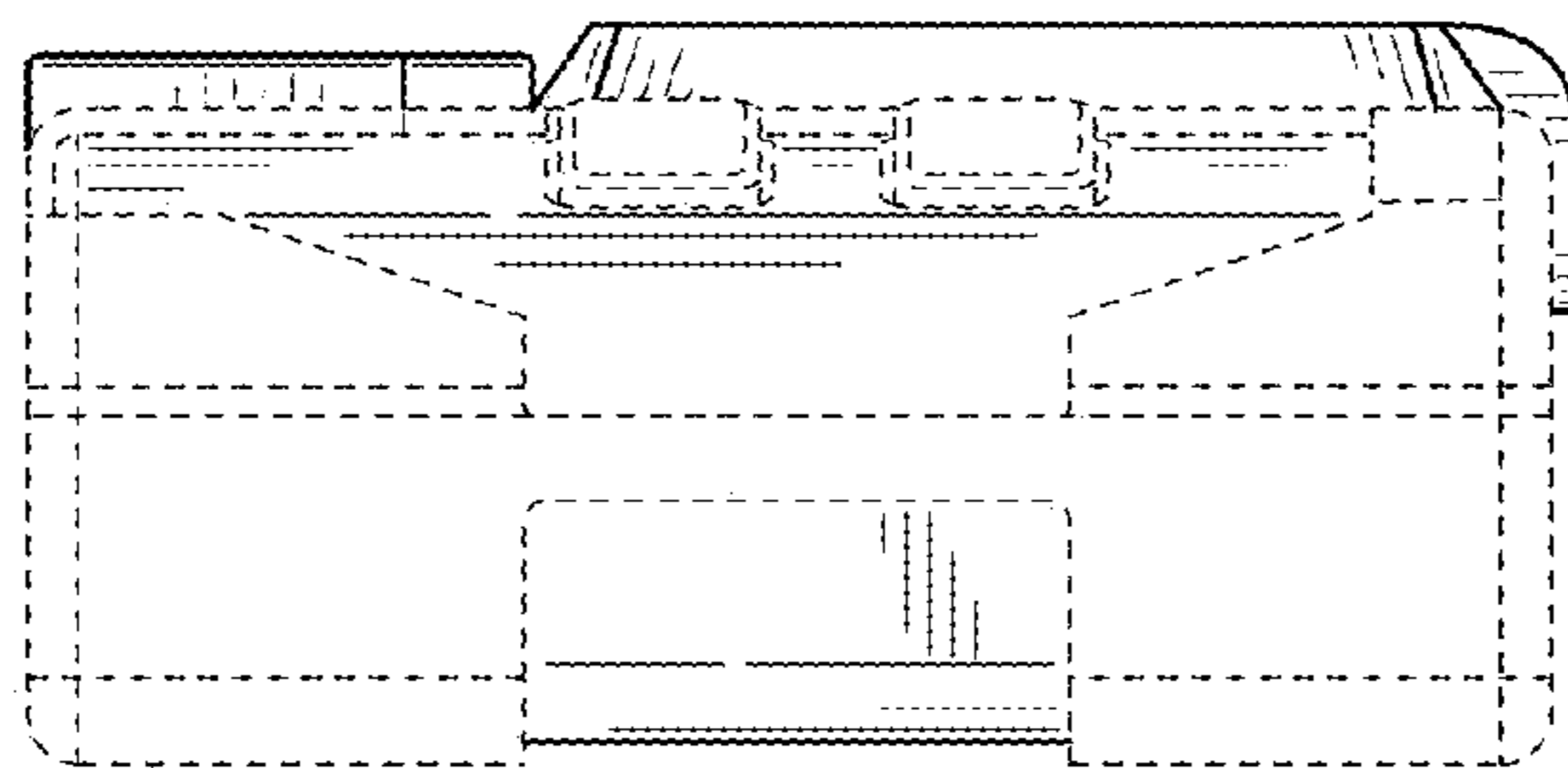


FIG. 5

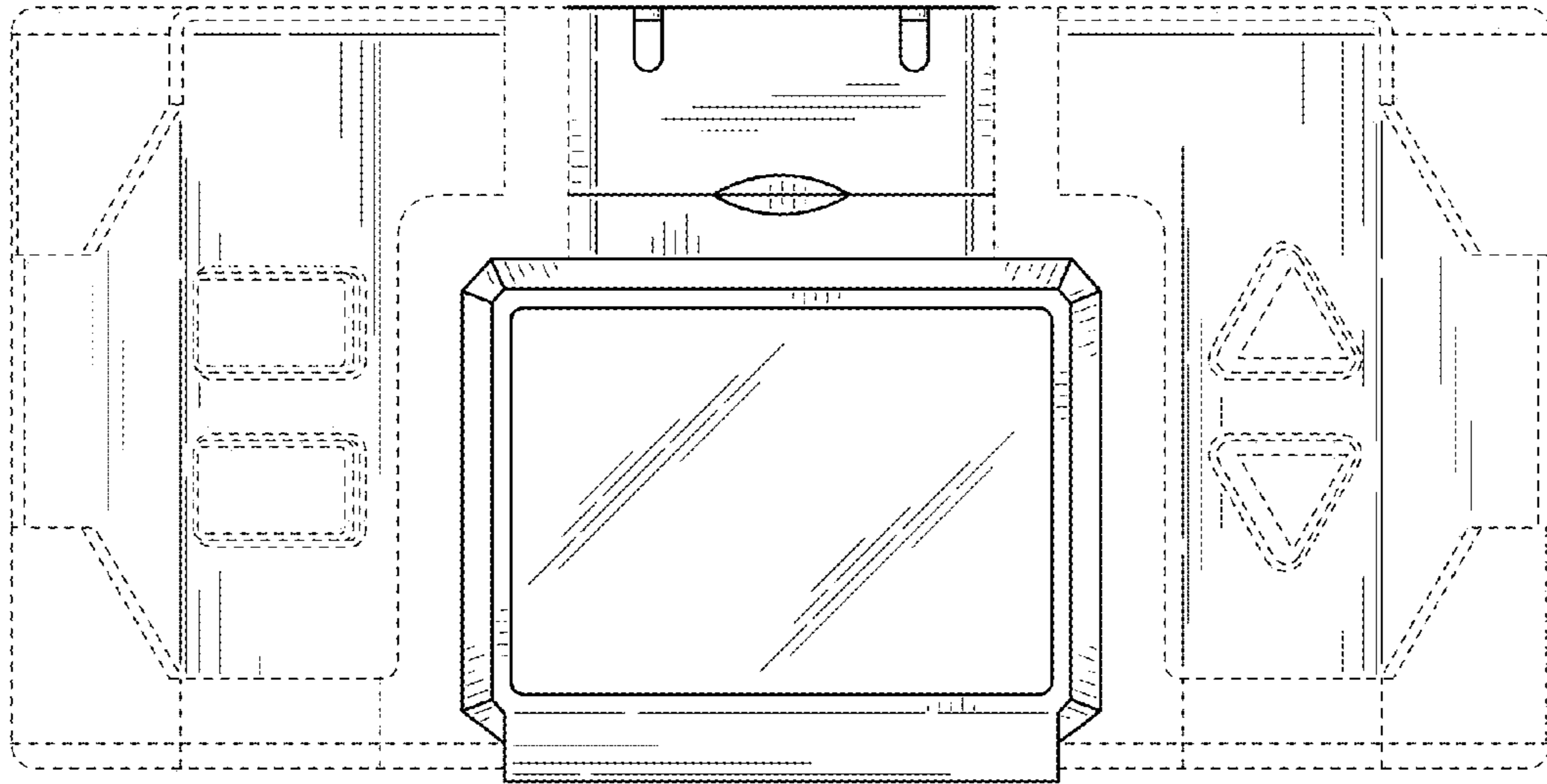


FIG. 6

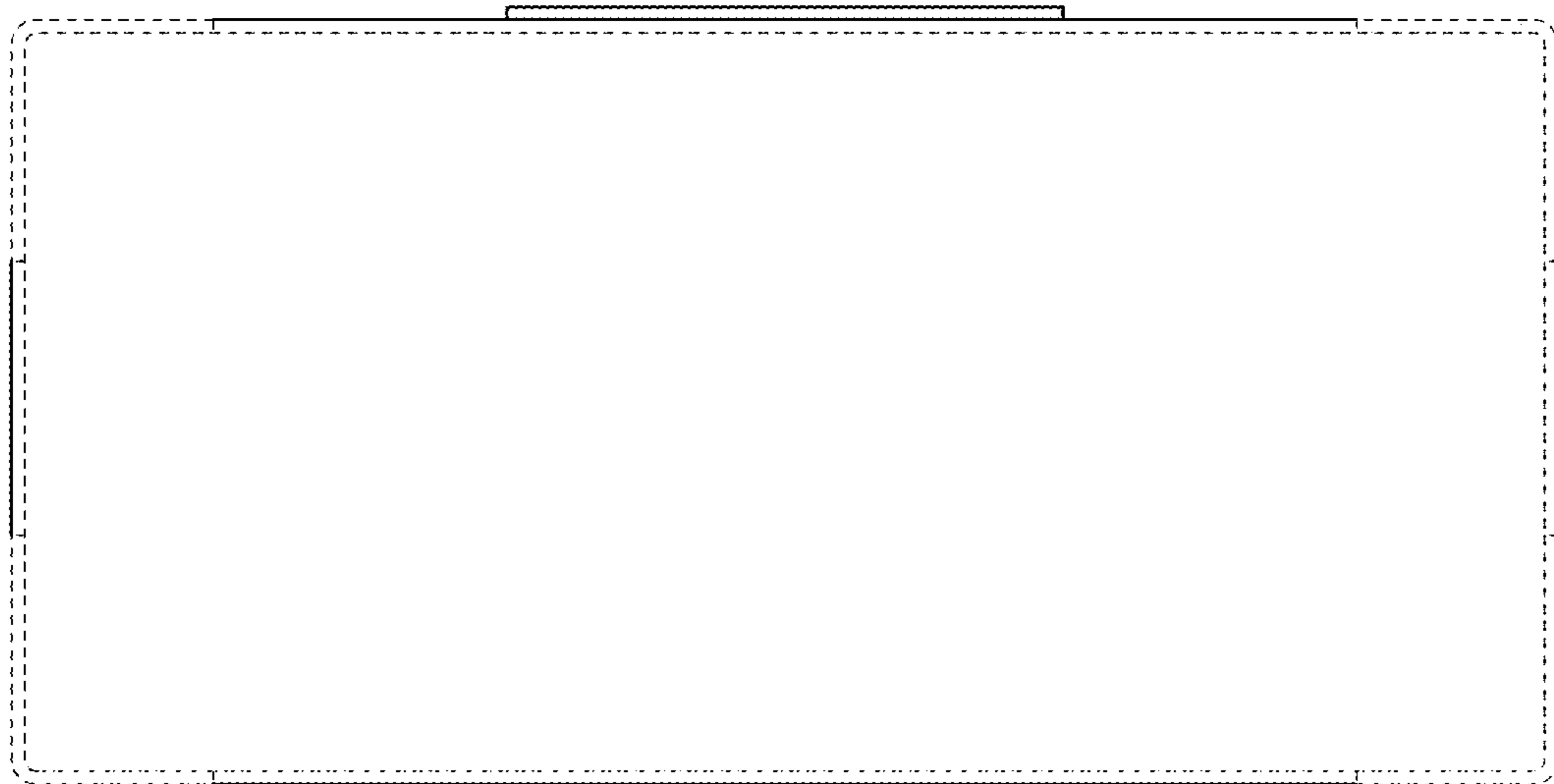


FIG. 7

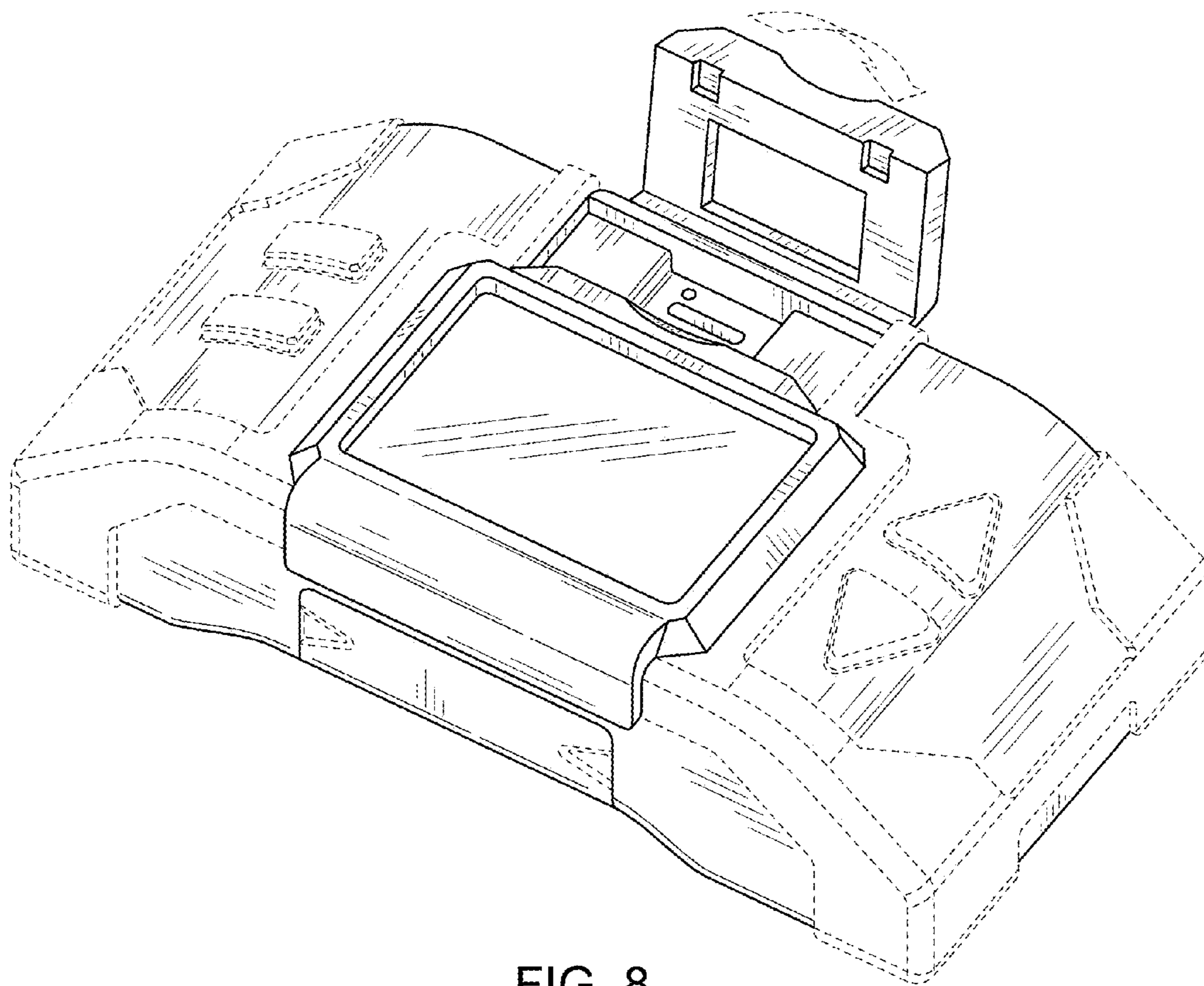


FIG. 8