



US00D703071S

(12) **United States Design Patent**  
**Arnett**

(10) **Patent No.:** **US D703,071 S**  
(45) **Date of Patent:** **\*\* Apr. 22, 2014**

(54) **THERMOSTAT COVER PLATE**

(56) **References Cited**

(71) Applicant: **Christopher Arnett**, Galena, OH (US)

U.S. PATENT DOCUMENTS

(72) Inventor: **Christopher Arnett**, Galena, OH (US)

D248,455 S *	7/1978	Cunnie .....	D10/60
D293,893 S *	1/1988	Polizzotto .....	D10/60
D588,479 S *	3/2009	Giese .....	D10/50
D614,977 S *	5/2010	Hollnagel et al. ....	D10/50
D676,769 S *	2/2013	Eyring et al. ....	D10/50

(\*\*) Term: **14 Years**

\* cited by examiner

(21) Appl. No.: **29/461,958**

(22) Filed: **Jul. 29, 2013**

*Primary Examiner* — Antoine D Davis

(51) **LOC (10) Cl.** ..... **10-04**

(74) *Attorney, Agent, or Firm* — QuickPatents; Kevin Prince

(52) **U.S. Cl.**

(57) **CLAIM**

USPC ..... **D10/60; D10/50**

I claim the ornamental design for a thermostat cover plate, as shown and described.

(58) **Field of Classification Search**

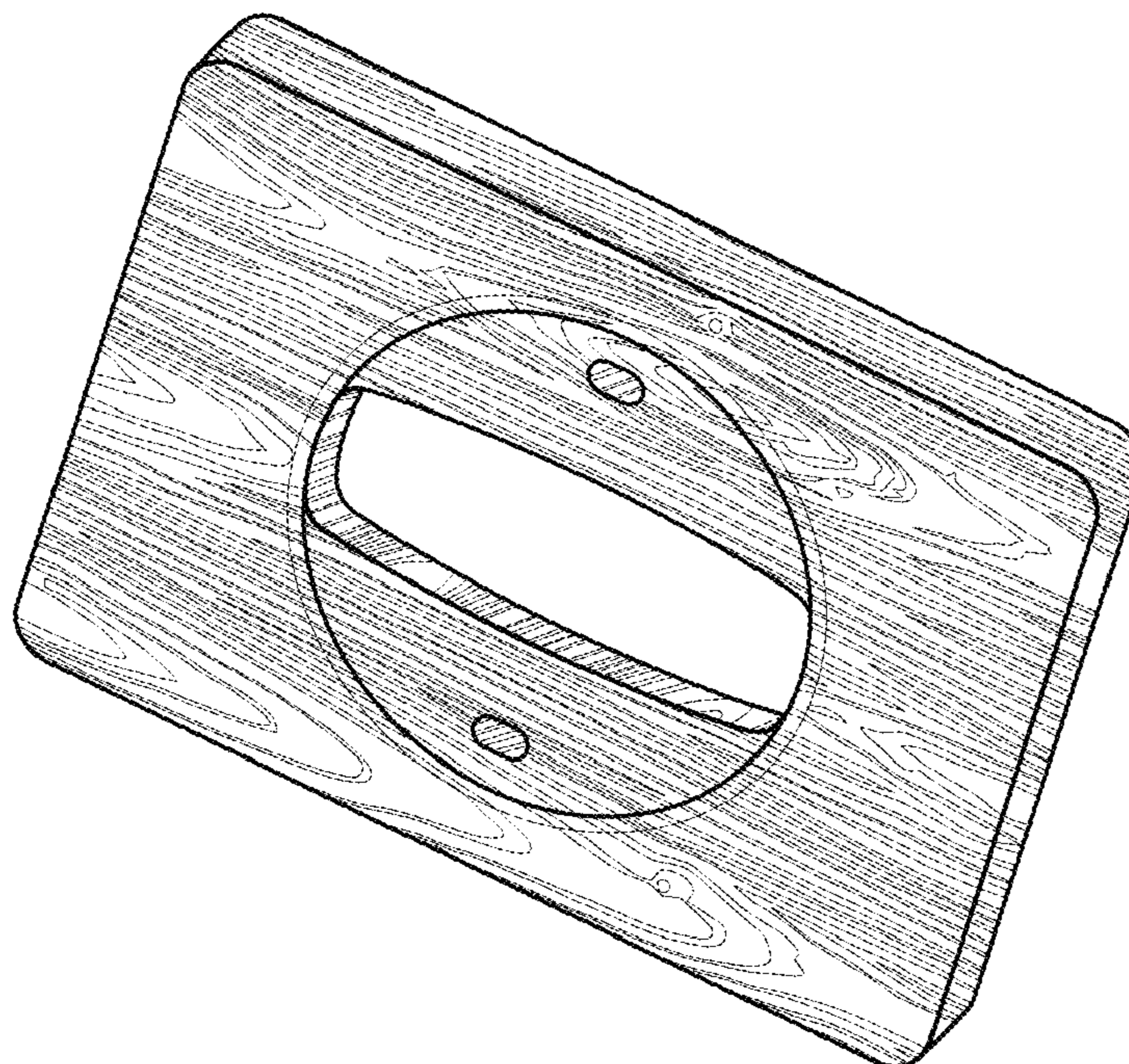
**DESCRIPTION**

USPC ..... D10/49-50, 60; D13/162; 55/270, 274,  
55/DIG. 7, 34; 62/176.6, 125-130, 78,  
62/180, 186; 73/23.2, 23.34, 31.01, 31.02,  
73/431, 170.16-170.19, 170.21-170.25,  
73/863.12, 29, 29.02, 335.01-335.14;  
236/46 R, 47, 94, 44 C, 44 R, 49.3, 44 A,  
236/96; 337/112, 327, 360; 340/602, 627,  
340/632, 634; 361/346; 364/141, 146, 147,  
364/188, 420, 557; 454/229, 239, 256, 257,  
454/258; 700/18, 159, 181, 278

FIG. 1 is a front perspective view of a thermostat cover plate, showing my new design;  
FIG. 2 is a front elevational view thereof;  
FIG. 3 is a rear elevational view thereof;  
FIG. 4 is a left-side elevational view thereof, the right-side elevational view being a mirror image thereof;  
FIG. 5 is a top plan view thereof, the bottom plan view being a mirror image thereof; and,  
FIG. 6 is a cross-sectional view thereof, taken along line 6-6 of FIG. 2.

See application file for complete search history.

**1 Claim, 2 Drawing Sheets**



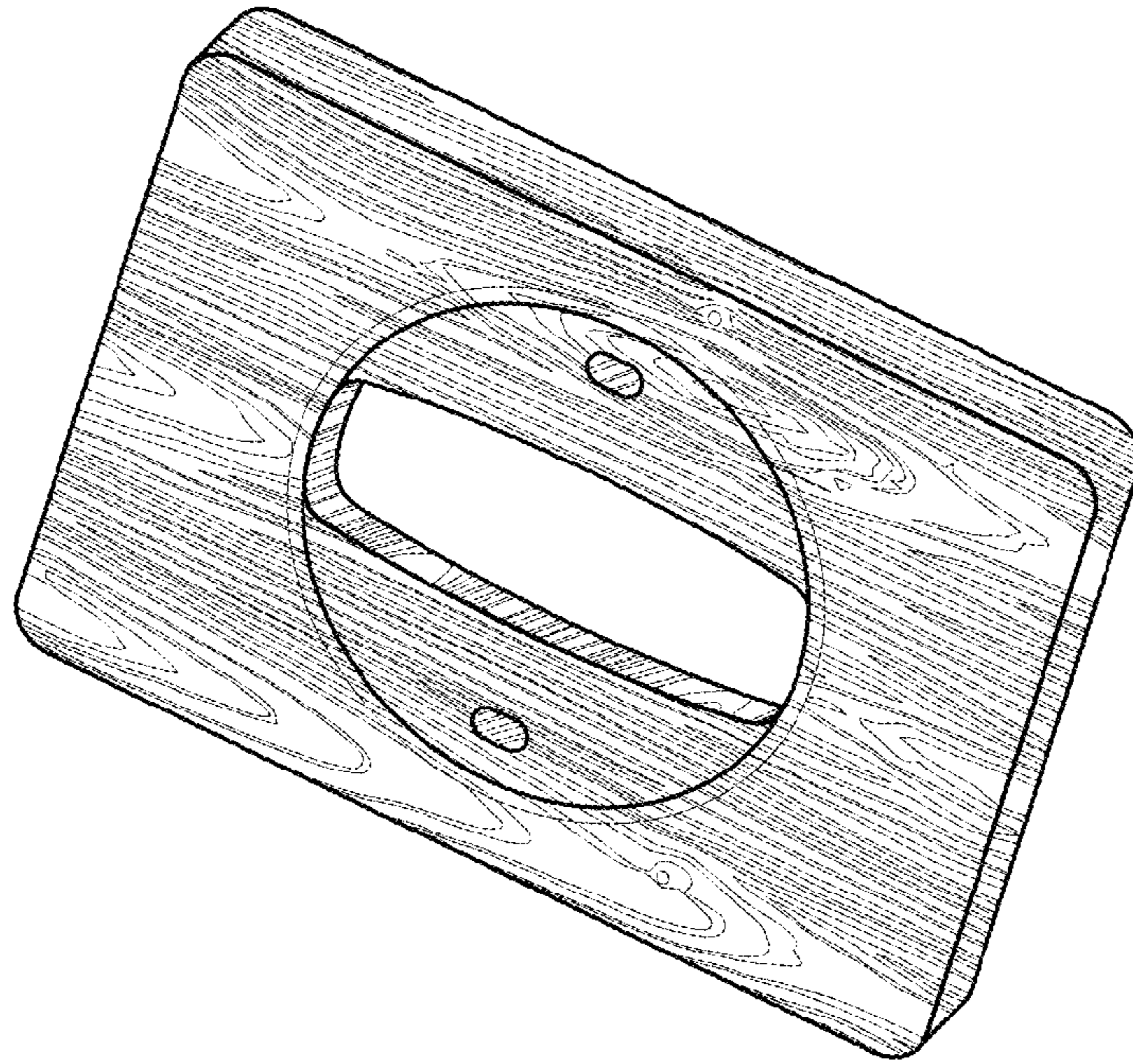


FIG. 1

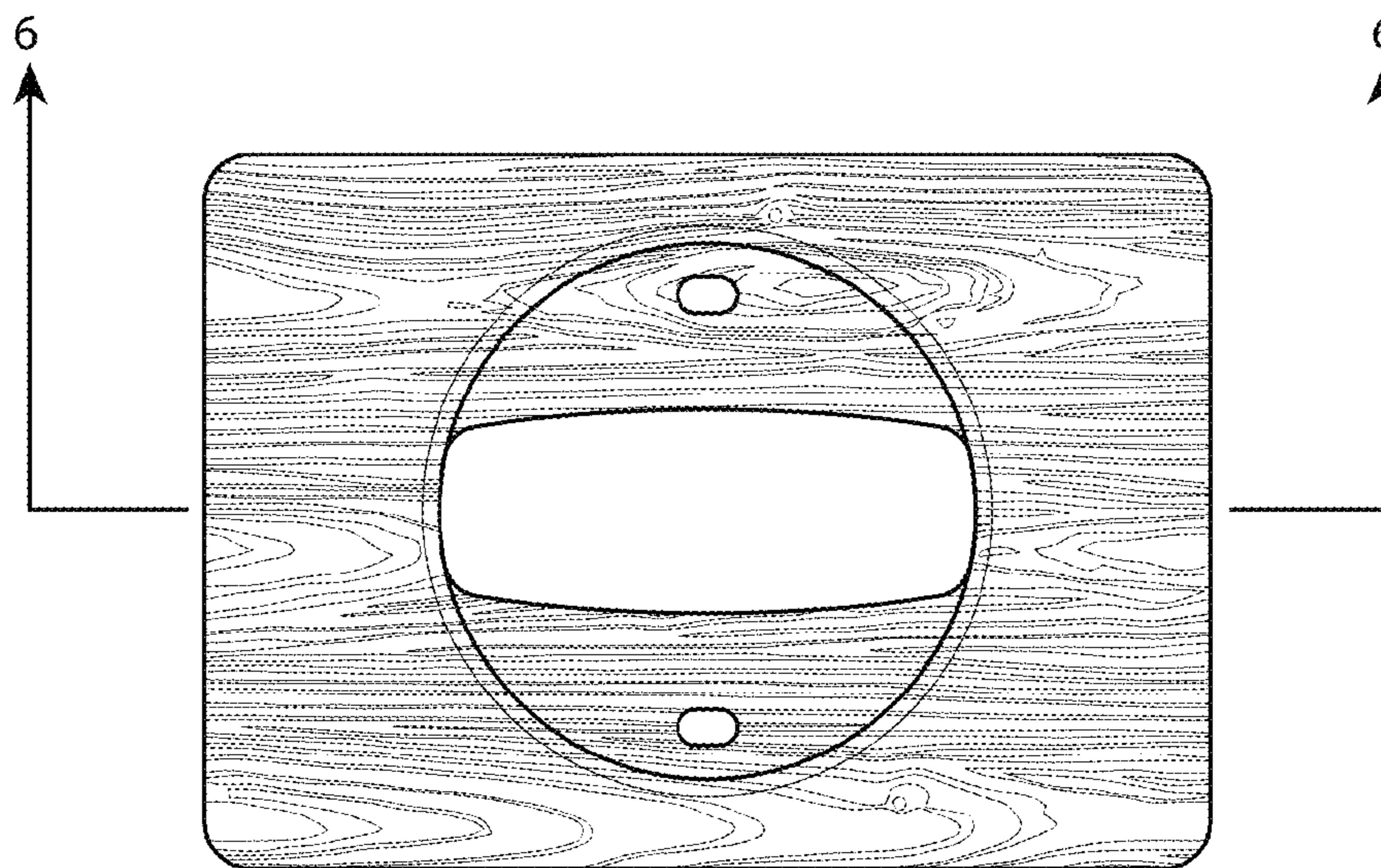


FIG. 2

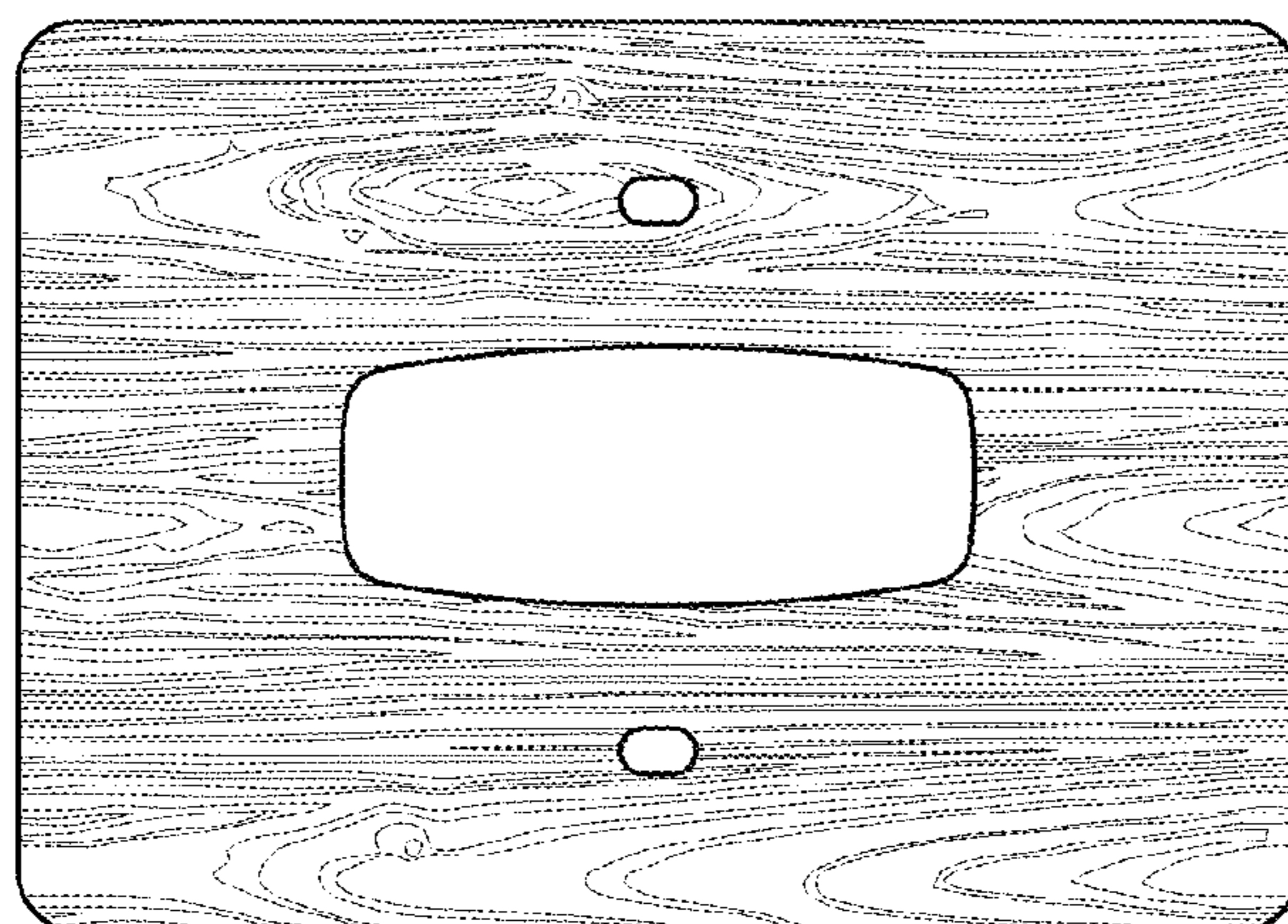


FIG. 3

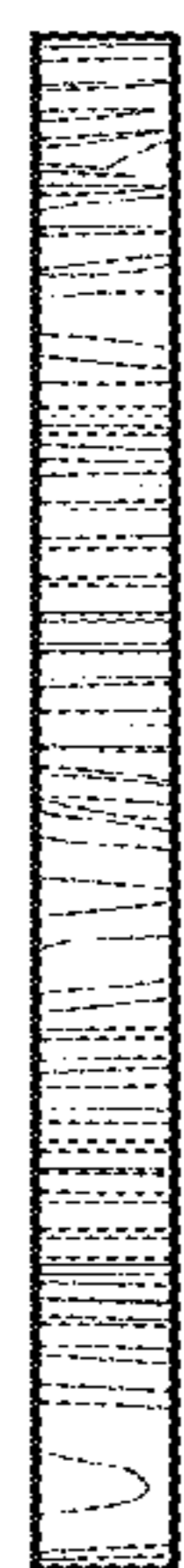


FIG. 4

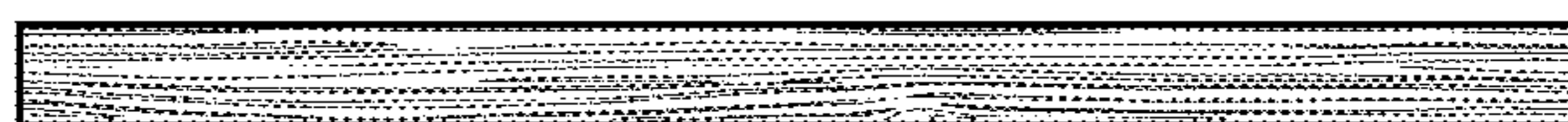


FIG. 5

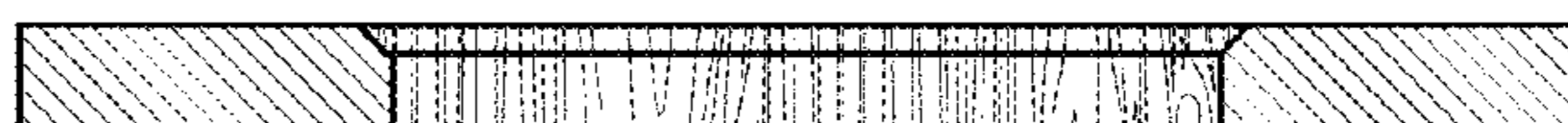


FIG. 6