



US00D703069S

(12) **United States Design Patent**
Adams et al.

(10) **Patent No.:** **US D703,069 S**
(45) **Date of Patent:** **** Apr. 22, 2014**

(54) **MULTI-MEDIA WIRELESS WATCH**

(71) Applicants: **William Adams**, Los Angeles, CA (US);
Chandrasekar Rathakrishnan, Beverly Hills, CA (US); **Goh Chee Wei Jaren**, Beverly Hills, CA (US)

(72) Inventors: **William Adams**, Los Angeles, CA (US);
Chandrasekar Rathakrishnan, Beverly Hills, CA (US); **Goh Chee Wei Jaren**, Beverly Hills, CA (US)

(73) Assignee: **I.Am.Symbolic, LLC**, Beverly Hills, CA (US)

(**) Term: **14 Years**

(21) Appl. No.: **29/464,381**

(22) Filed: **Aug. 15, 2013**

(51) **LOC (10) Cl.** **10-02**

(52) **U.S. Cl.**
USPC **D10/31; D10/32**

(58) **Field of Classification Search**
USPC D10/30-39, 122-132; 368/276, 281, 368/282, 10, 13; D11/3, 4, 2; D14/138 R, D14/344, 138 C, 144, 203.5; 379/433.1; 224/174, 179

See application file for complete search history.

(56) **References Cited**

U.S. PATENT DOCUMENTS

4,159,416	A *	6/1979	Brejnik et al.	377/19
5,088,070	A *	2/1992	Shiff	368/10
5,418,760	A *	5/1995	Kawashima et al.	368/69
D366,036	S *	1/1996	Houlihan	D14/344
D412,445	S *	8/1999	Bodino	D10/32
D413,531	S *	9/1999	Philippe	D10/32
D432,437	S *	10/2000	Lassigne	D10/32
D447,701	S *	9/2001	Bodino	D10/32
6,329,903	B1 *	12/2001	Yamamori	340/7.63
6,477,117	B1 *	11/2002	Narayanaswami et al.	368/251
D466,487	S *	12/2002	Wada et al.	D14/138 R
D471,471	S *	3/2003	Fu et al.	D10/32

6,707,764	B2 *	3/2004	Davidson et al.	368/13
7,162,217	B2 *	1/2007	Bisig	455/269
D543,192	S *	5/2007	Jung	D14/138 R
D549,221	S *	8/2007	Yagi	D14/218
7,263,461	B2 *	8/2007	Sugai	702/150
D564,367	S *	3/2008	Molyneux	D10/31
D565,427	S *	4/2008	Ellner et al.	D10/31
D567,227	S *	4/2008	Hada	D14/218
D567,676	S *	4/2008	Tang	D10/32
D570,711	S *	6/2008	Dorsz	D10/32
D576,501	S *	9/2008	Tang	D10/32
D584,972	S *	1/2009	Aeberhard et al.	D10/70
D589,374	S *	3/2009	Tang	D10/32
D596,610	S *	7/2009	Hou	D14/144
D621,726	S *	8/2010	Lattmann	D10/38

(Continued)

Primary Examiner — Lucy Lieberman

(74) *Attorney, Agent, or Firm* — Workman Nydegger

(57) **CLAIM**

The ornamental design for a multi-media wireless watch, as shown and described.

DESCRIPTION

FIG. 1 illustrates a front top left perspective view of the multi-media wireless watch, in accordance with the present invention;

FIG. 2 illustrates a front top right perspective view of the multi-media wireless watch, as shown in FIG. 1;

FIG. 3 illustrates a front bottom right perspective view of the multi-media wireless watch, as shown in FIG. 1;

FIG. 4 illustrates a rear bottom right perspective view of the multi-media wireless watch, as shown in FIG. 1;

FIG. 5 illustrates a rear top right perspective view of the multi-media wireless watch, as shown in FIG. 1;

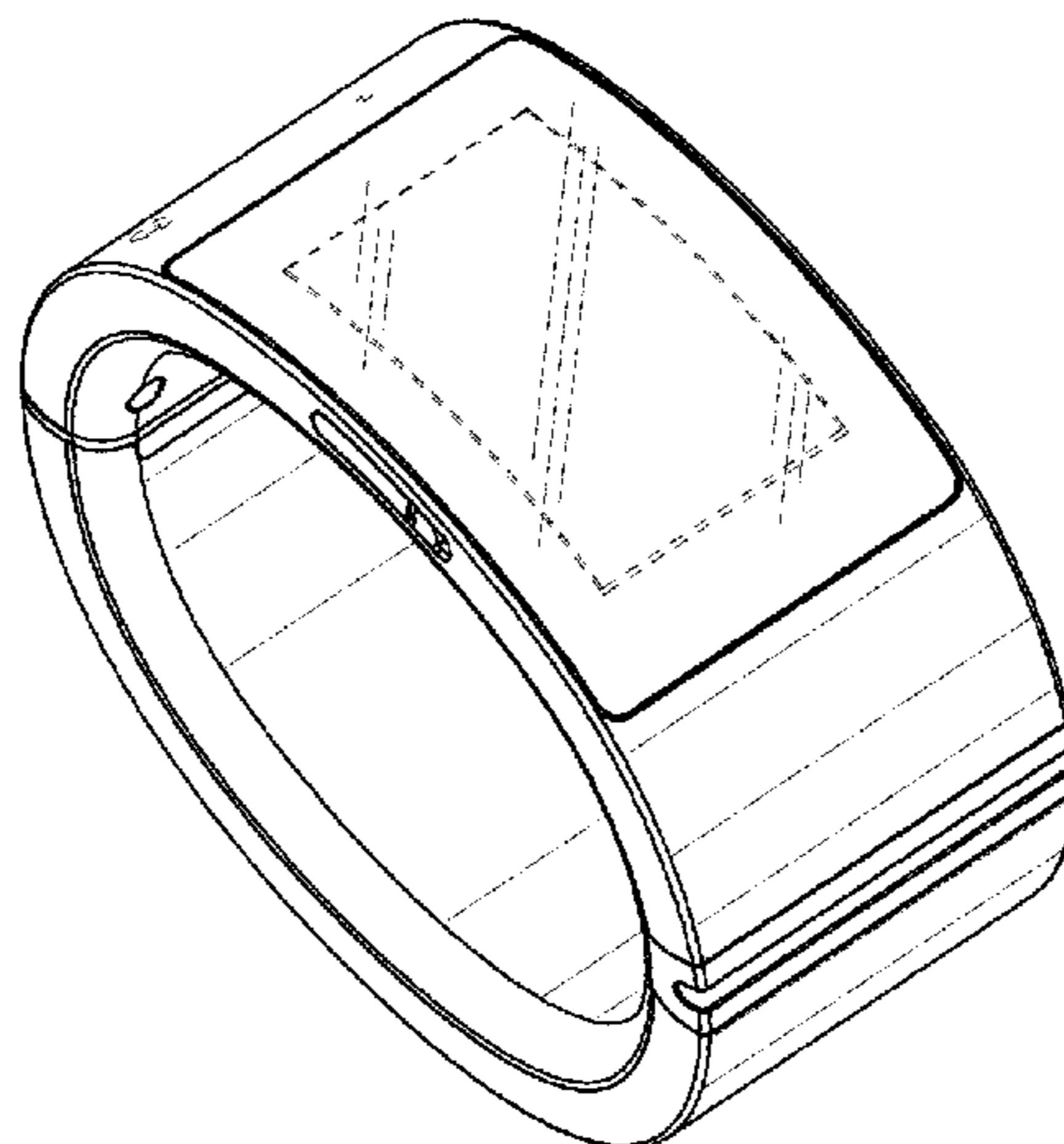
FIG. 6 illustrates a bottom right perspective view of the multi-media wireless watch, as shown in FIG. 1;

FIG. 7 illustrates a front bottom left perspective view of the multi-media wireless watch, as shown in FIG. 1; and,

FIG. 8 illustrates a bottom left perspective view of the multi-media wireless watch, as shown in FIG. 1.

The broken lines are for illustrative purposes only and form no part of the claimed design.

1 Claim, 4 Drawing Sheets



(56)

References Cited

U.S. PATENT DOCUMENTS

D621,808 S *	8/2010	Kim	D14/138 R	D661,275 S *	6/2012	Roka	D14/138 R
D637,918 S *	5/2011	Cobbett et al.	D10/31	8,279,716 B1 *	10/2012	Gossweiler et al.	368/10
D638,723 S *	5/2011	Ong	D10/32	8,301,211 B2 *	10/2012	Lee et al.	455/575.6
D650,706 S *	12/2011	Zanella et al.	D10/32	D672,255 S *	12/2012	Zanella et al.	D10/32
8,088,043 B2 *	1/2012	Andren et al.	482/8	2001/0017663 A1 *	8/2001	Yamaguchi et al.	348/373
				2003/0125077 A1 *	7/2003	Lee et al.	455/556
				2013/0197857 A1 *	8/2013	Lu et al.	702/141

* cited by examiner

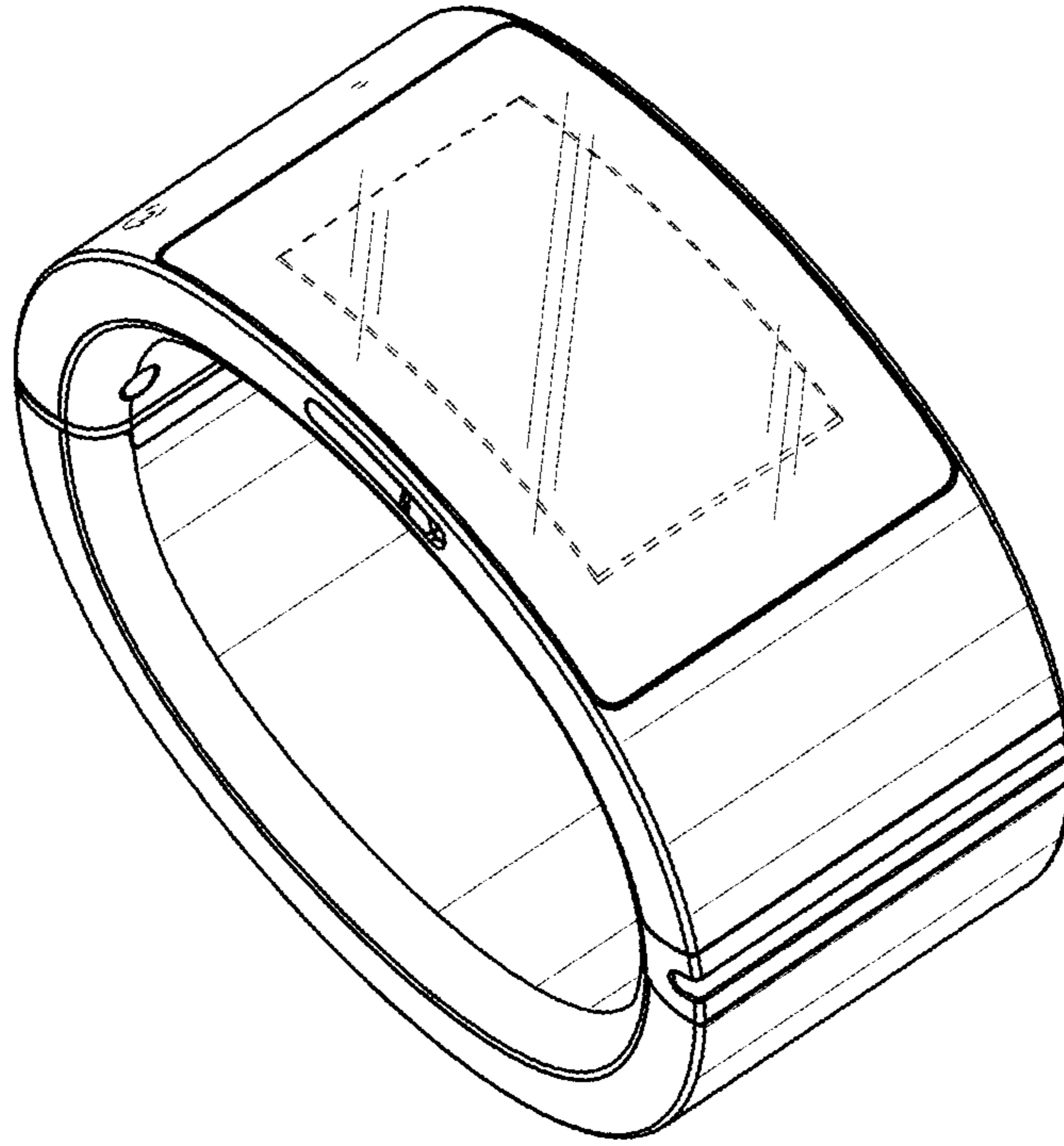


FIG. 1

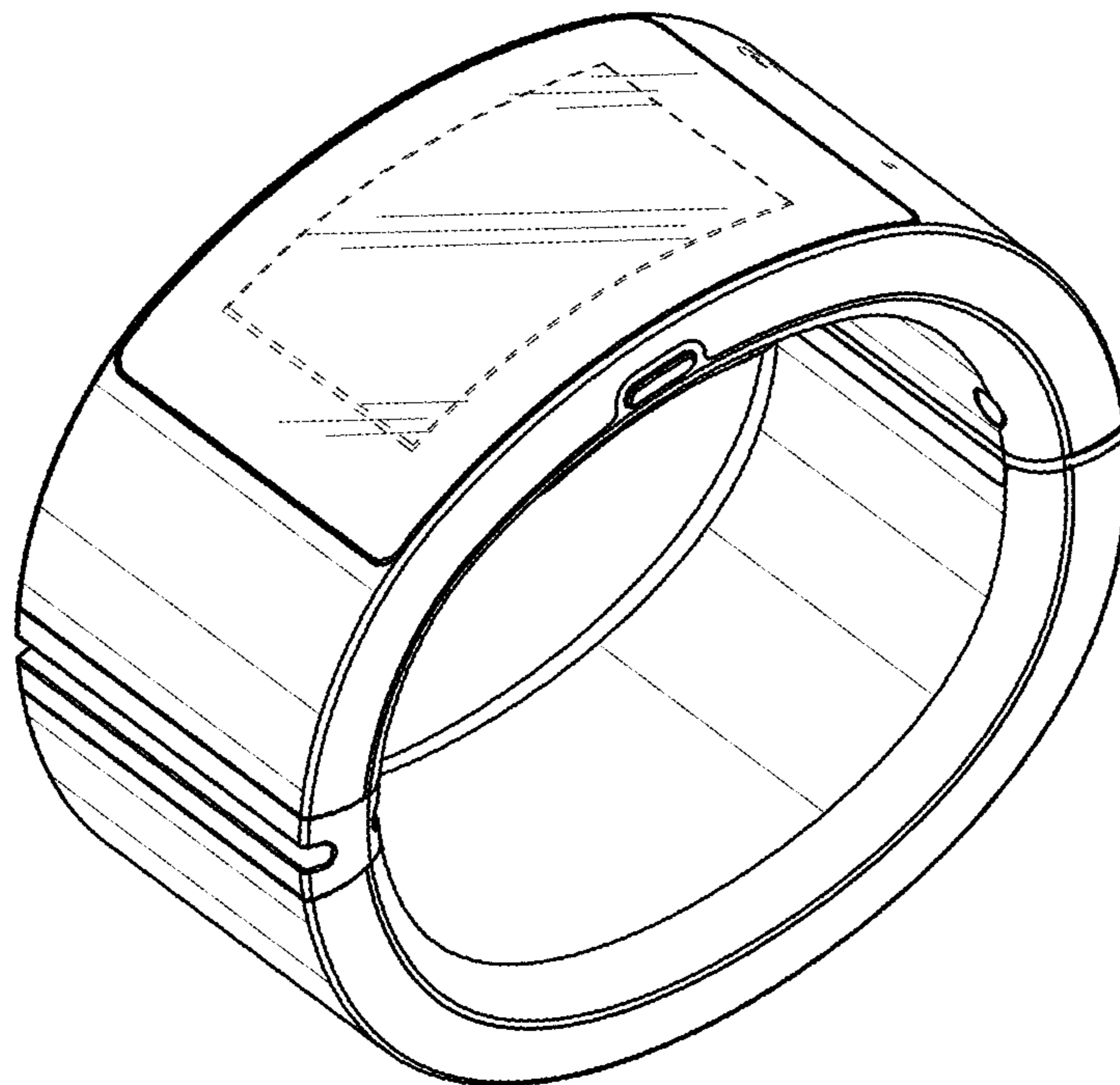


FIG. 2

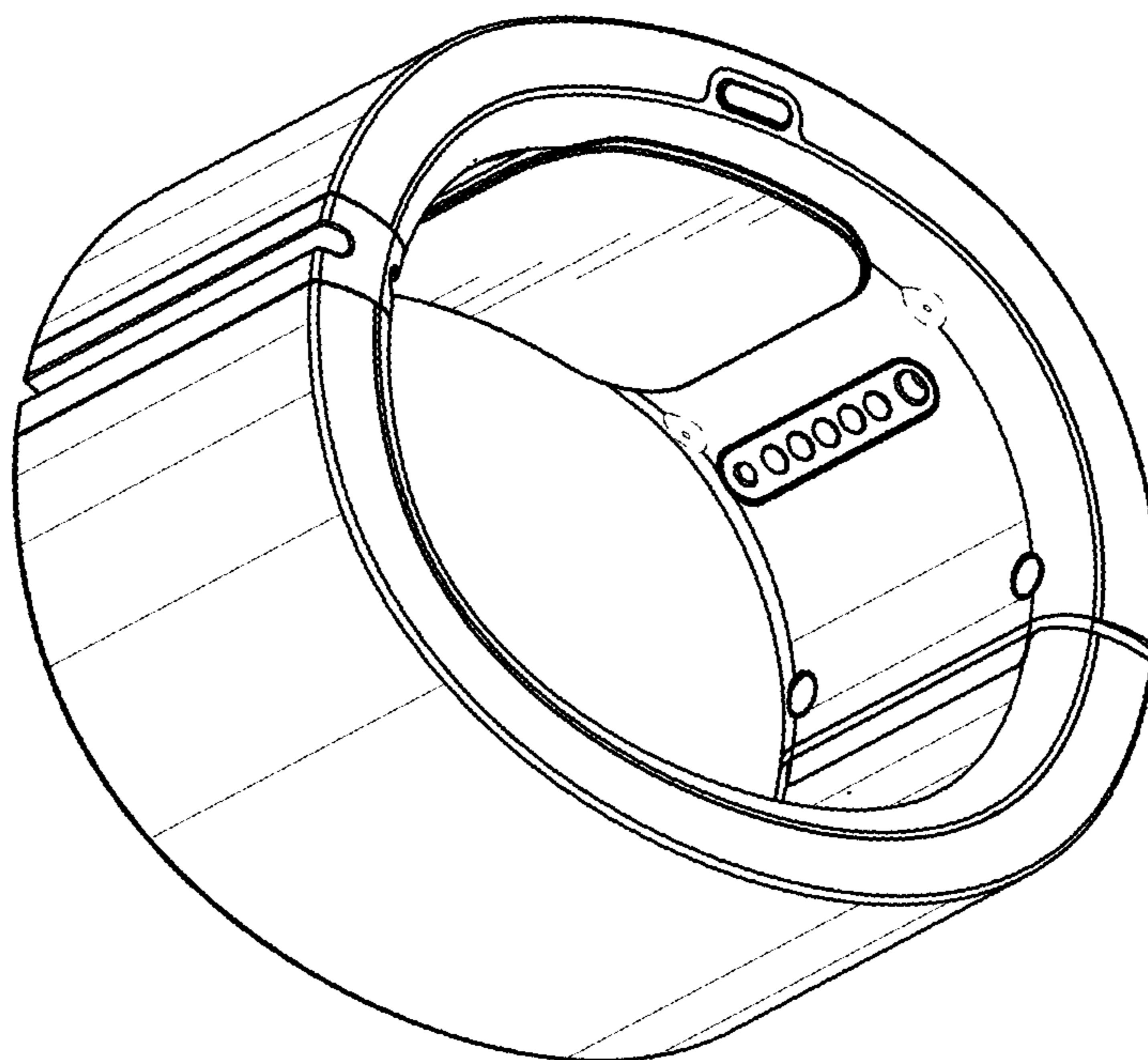


FIG. 3

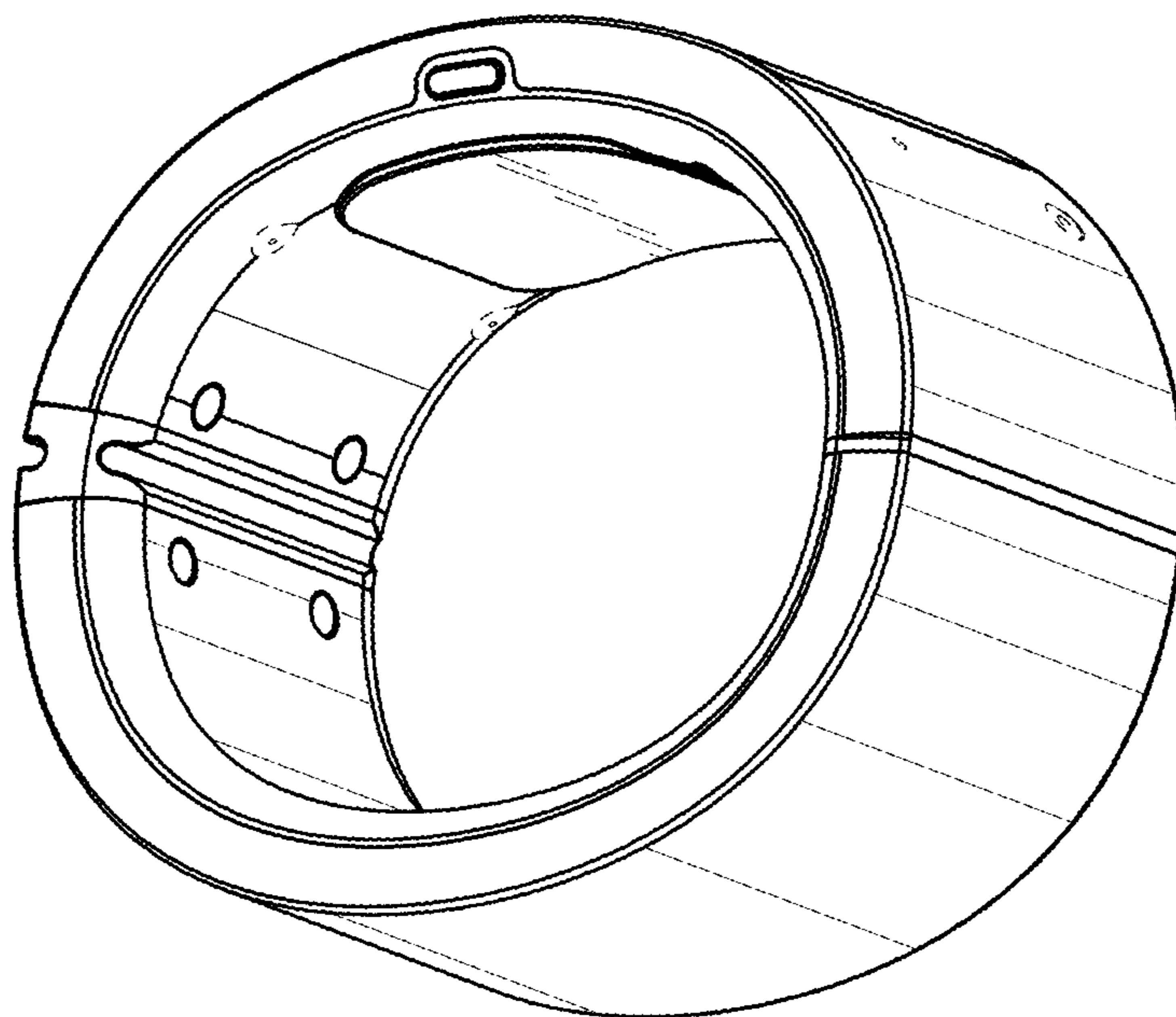


FIG. 4

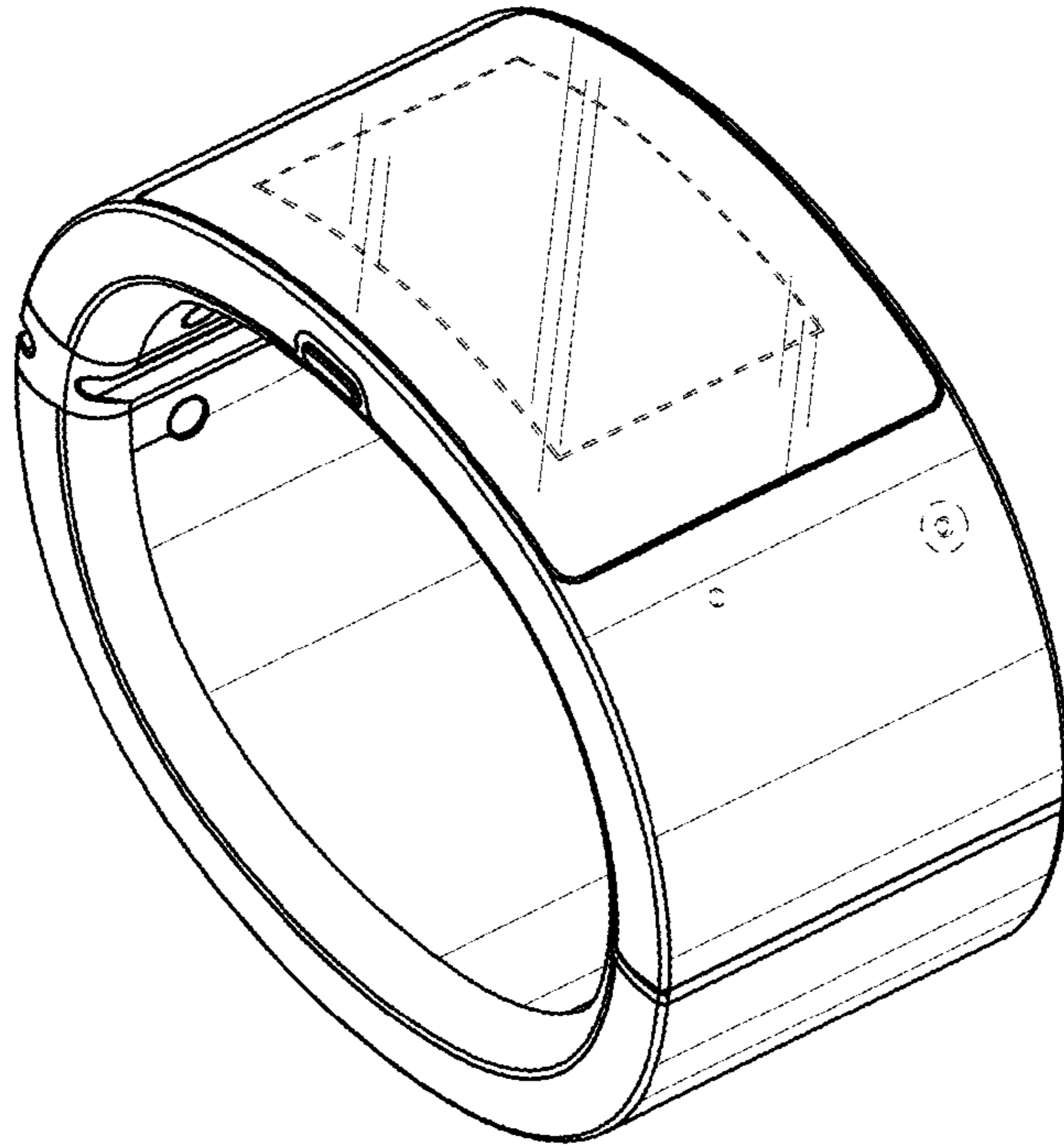


FIG. 5

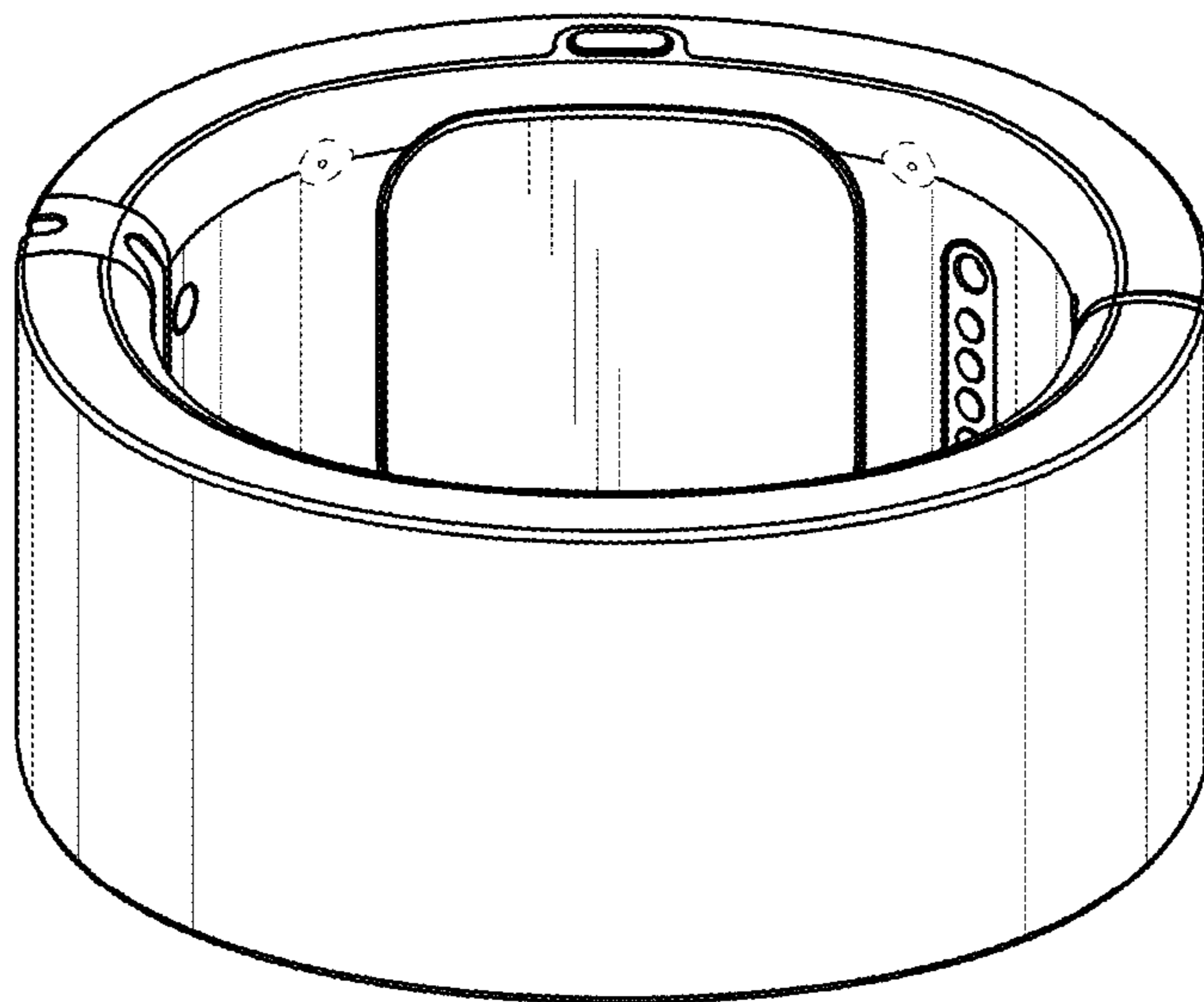


FIG. 6

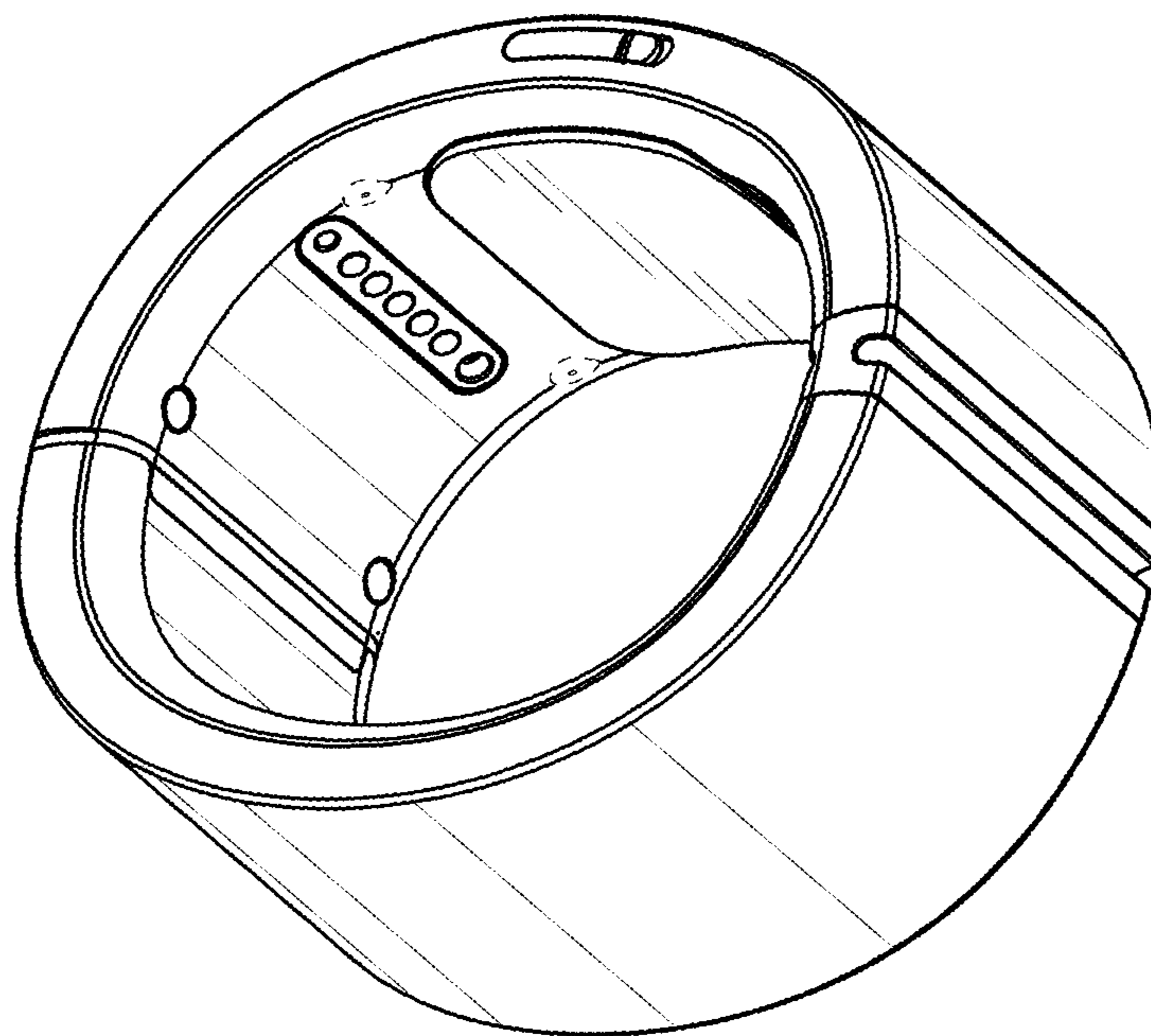


FIG. 7

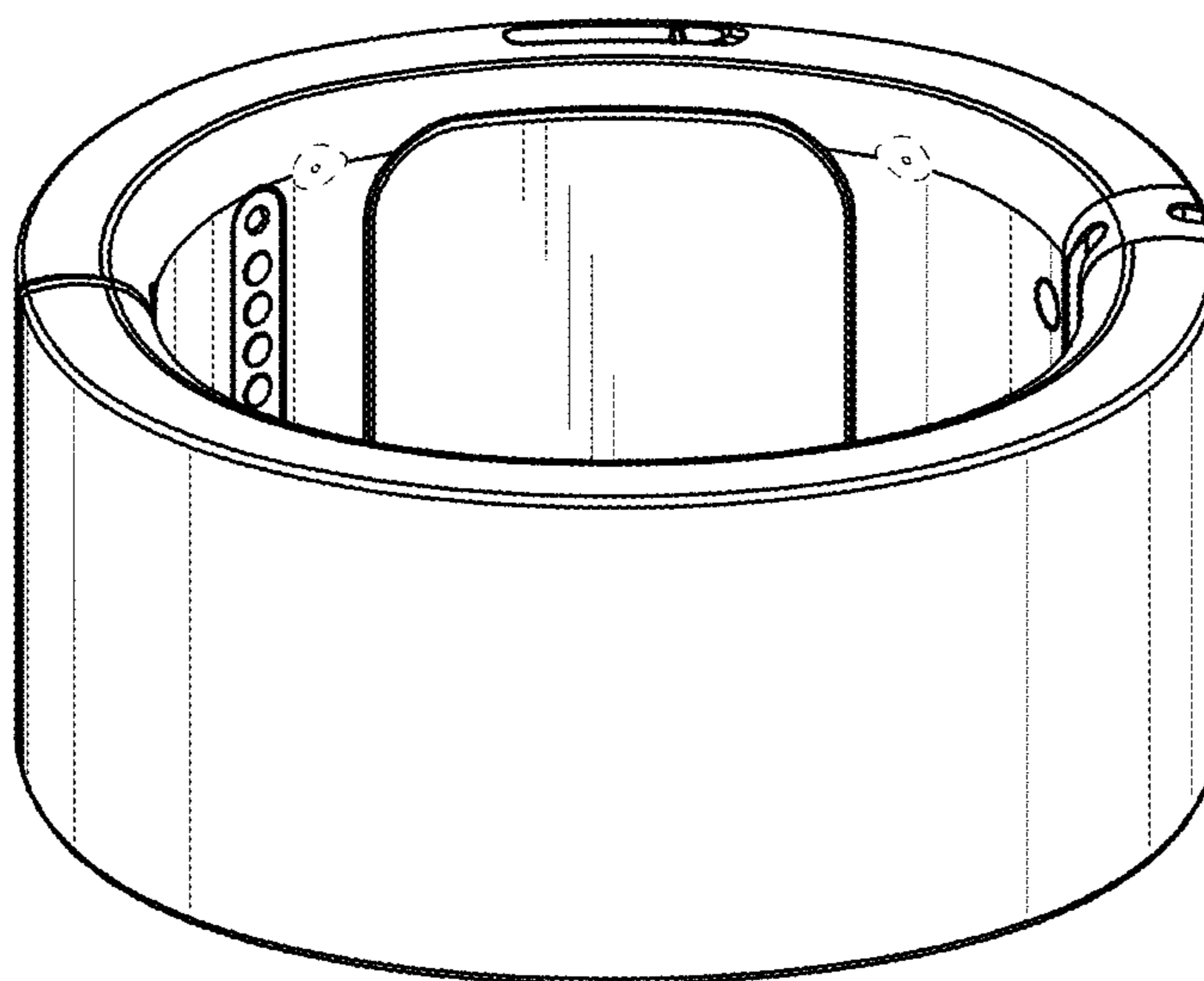


FIG. 8

UNITED STATES PATENT AND TRADEMARK OFFICE
CERTIFICATE OF CORRECTION

PATENT NO. : D703,069 S
APPLICATION NO. : 29/464381
DATED : April 22, 2014
INVENTOR(S) : William Adams

Page 1 of 1

It is certified that error appears in the above-identified patent and that said Letters Patent is hereby corrected as shown below:

On the title page item (73), change “Assignee: I.Am.Symbolic, LLC, Beverly Hills, CA (US)” to
-- Assignee: I.AM.PLUS, LLC, Los Angeles, CA (US) --

Signed and Sealed this
Eleventh Day of August, 2015



Michelle K. Lee
Director of the United States Patent and Trademark Office