



US00D703068S

(12) **United States Design Patent**
Kick

(10) **Patent No.:** **US D703,068 S**

(45) **Date of Patent:** **** *Apr. 22, 2014**

(54) **CONTAINER**

(76) **Inventor:** **Merrilee Alexander Kick**, Plano, TX
(US)

(*) **Notice:** This patent is subject to a terminal disclaimer.

(**) **Term:** **14 Years**

(21) **Appl. No.:** **29/367,905**

(22) **Filed:** **Aug. 15, 2010**

(51) **LOC (10) Cl.** **09-01**

(52) **U.S. Cl.**
USPC **D9/776**

(58) **Field of Classification Search**
USPC D9/500, 516, 519, 520, 549, 574,
D9/763-783; 215/381-385; 220/660, 662,
220/669

See application file for complete search history.

(56) **References Cited**

U.S. PATENT DOCUMENTS

D49,555 S *	8/1916	Vivaudott	D9/504
D106,034 S *	9/1937	Harrison	D9/500
D224,516 S *	8/1972	Amberg	D9/500
D352,898 S *	11/1994	Vacher	D9/438
D383,646 S *	9/1997	Jeppesen et al.	D7/584

D448,666 S *	10/2001	Fields	D9/438
6,574,883 B2 *	6/2003	Giblin et al.	34/90
D562,685 S *	2/2008	Millspaw et al.	D9/500
D565,413 S *	4/2008	Honkawa et al.	D9/519
D596,489 S *	7/2009	Weiss	D9/519
D606,404 S *	12/2009	Diss	D9/500
D606,405 S *	12/2009	Takata et al.	D9/500
D612,732 S *	3/2010	Takata et al.	D9/500
D614,971 S *	5/2010	Millspaw et al.	D9/776
D634,635 S *	3/2011	Araujo et al.	D9/500

* cited by examiner

Primary Examiner — Keli L Hill

(74) *Attorney, Agent, or Firm* — Wilson Legal Group, PC;
John T. Wilson; Kandace D. Walter

(57) **CLAIM**

The ornamental design for a container, as shown.

DESCRIPTION

FIG. 1 is a front side view of a container, showing my new design;

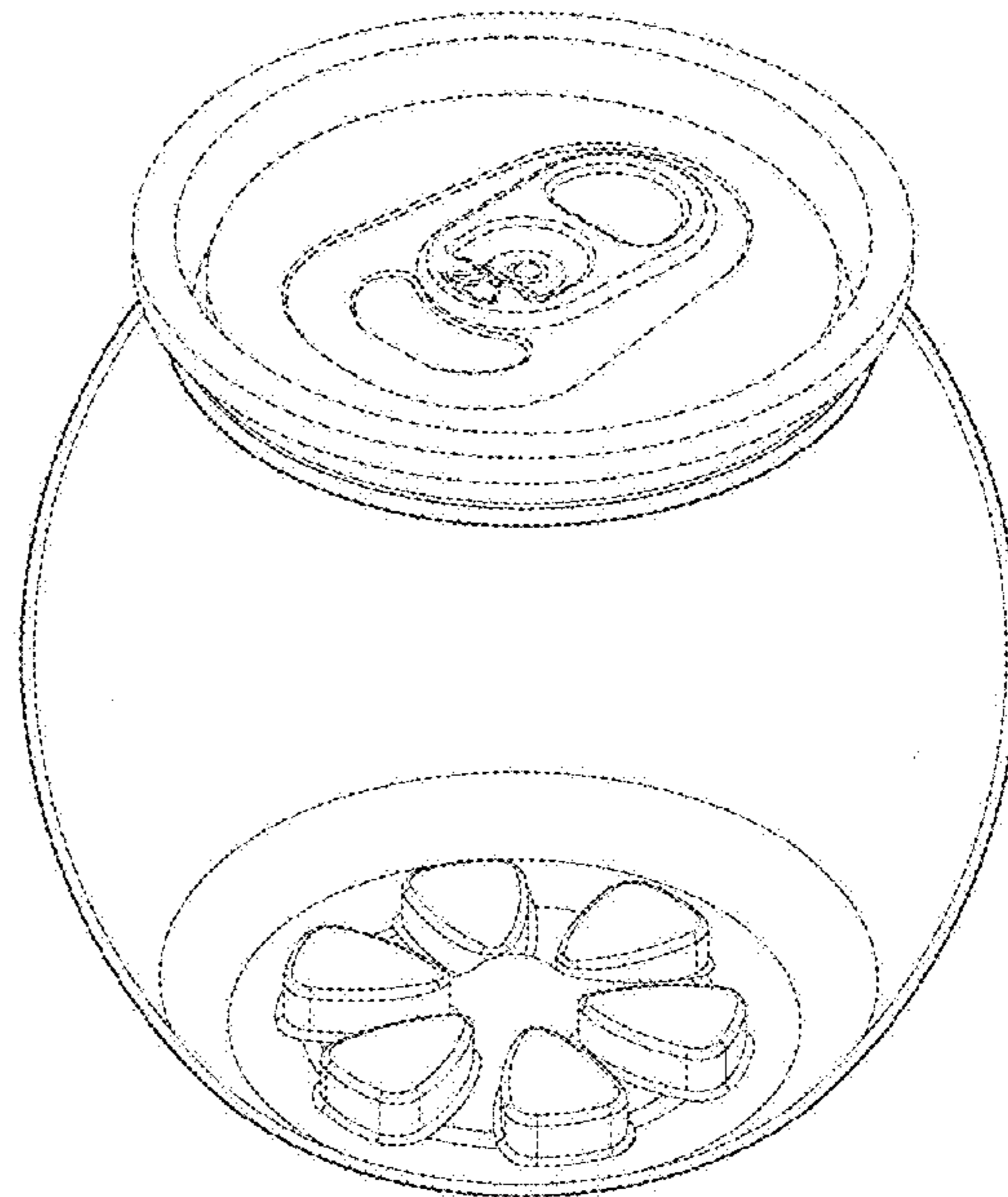
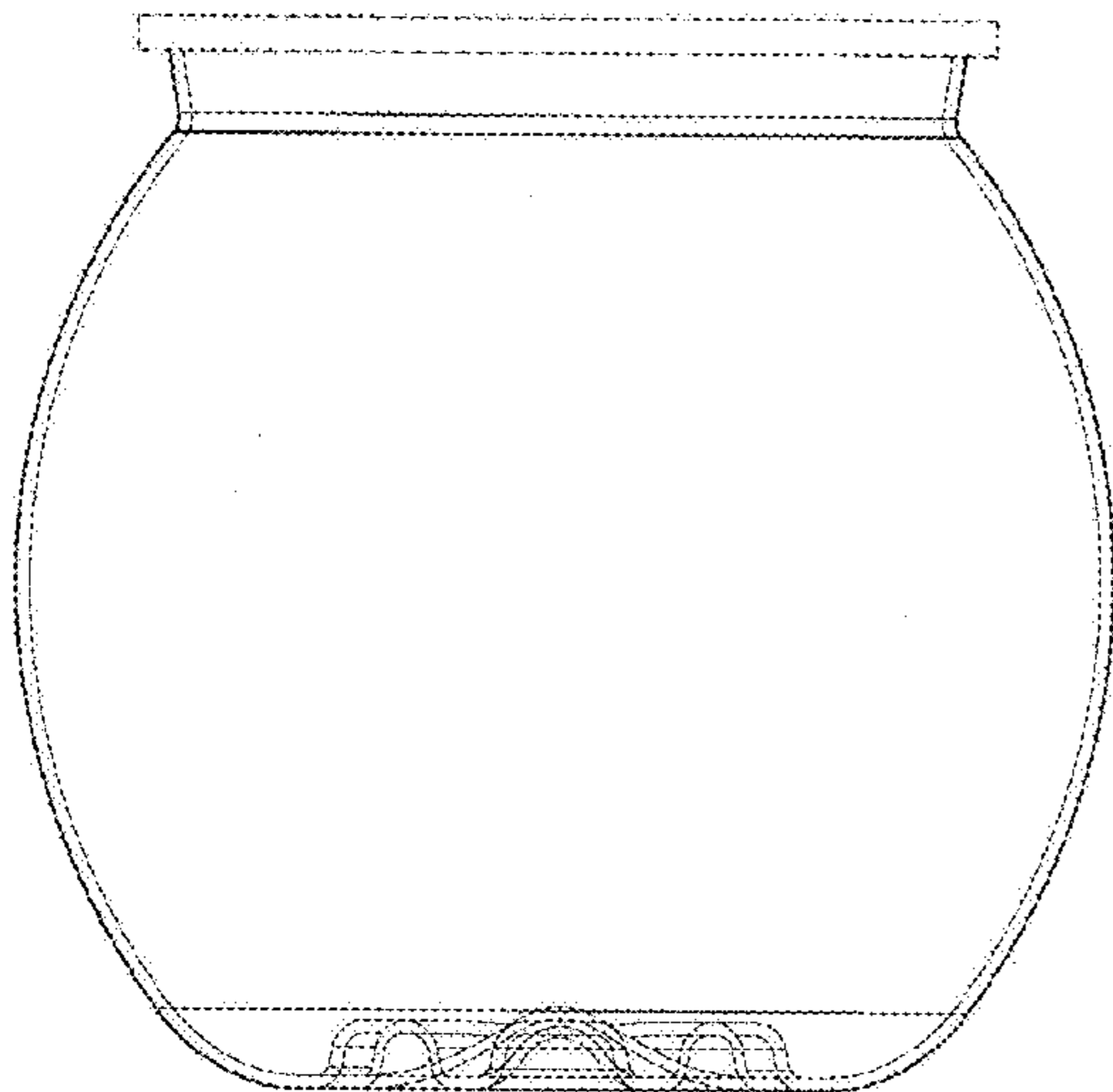
FIG. 2 is a top and side perspective view thereof;

FIG. 3 is a top plan view thereof; and,

FIG. 4 is a bottom plan view thereof.

The portions of the article shown in broken lines form no part of the claimed design.

1 Claim, 4 Drawing Sheets



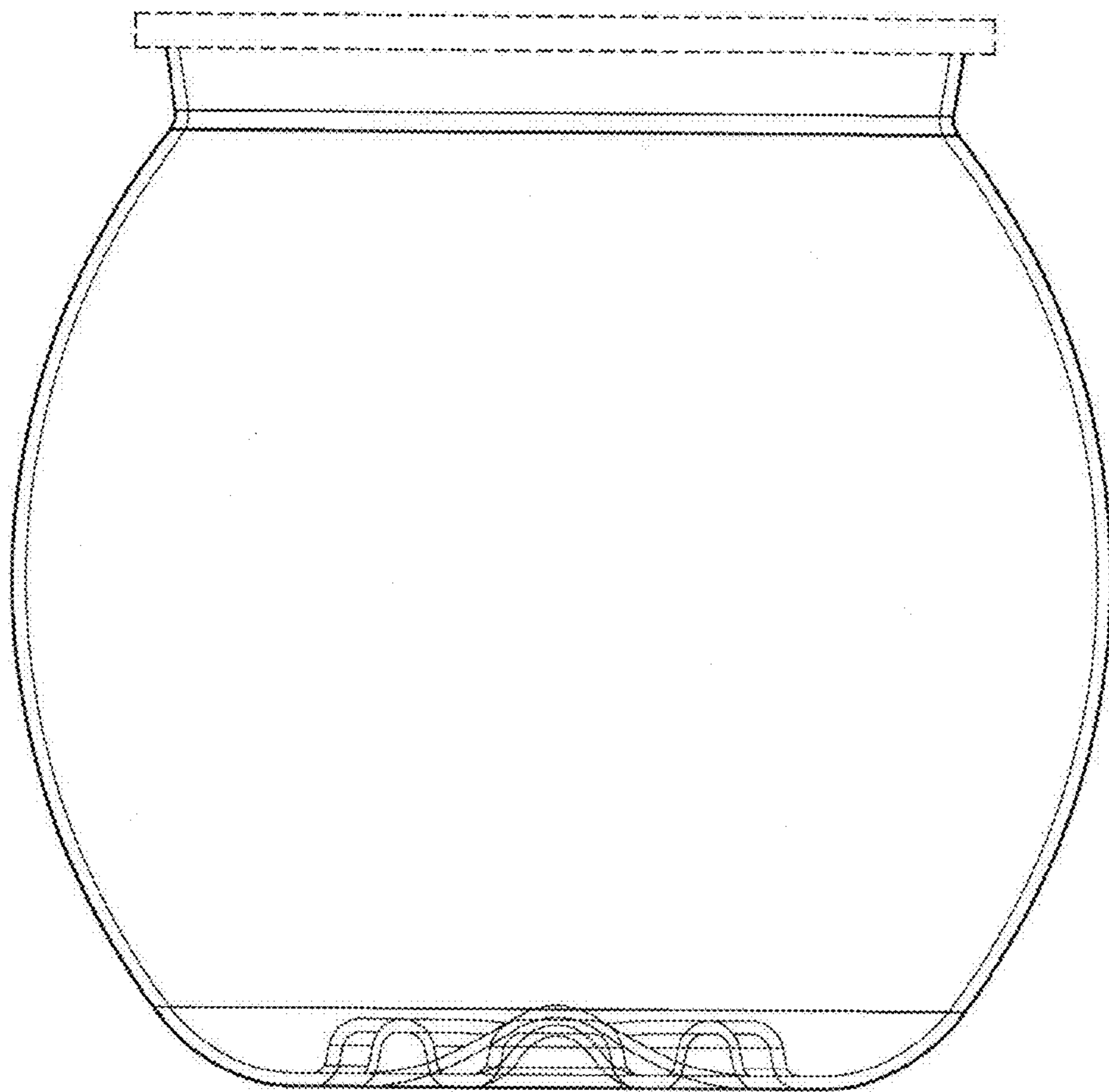


FIG. 1

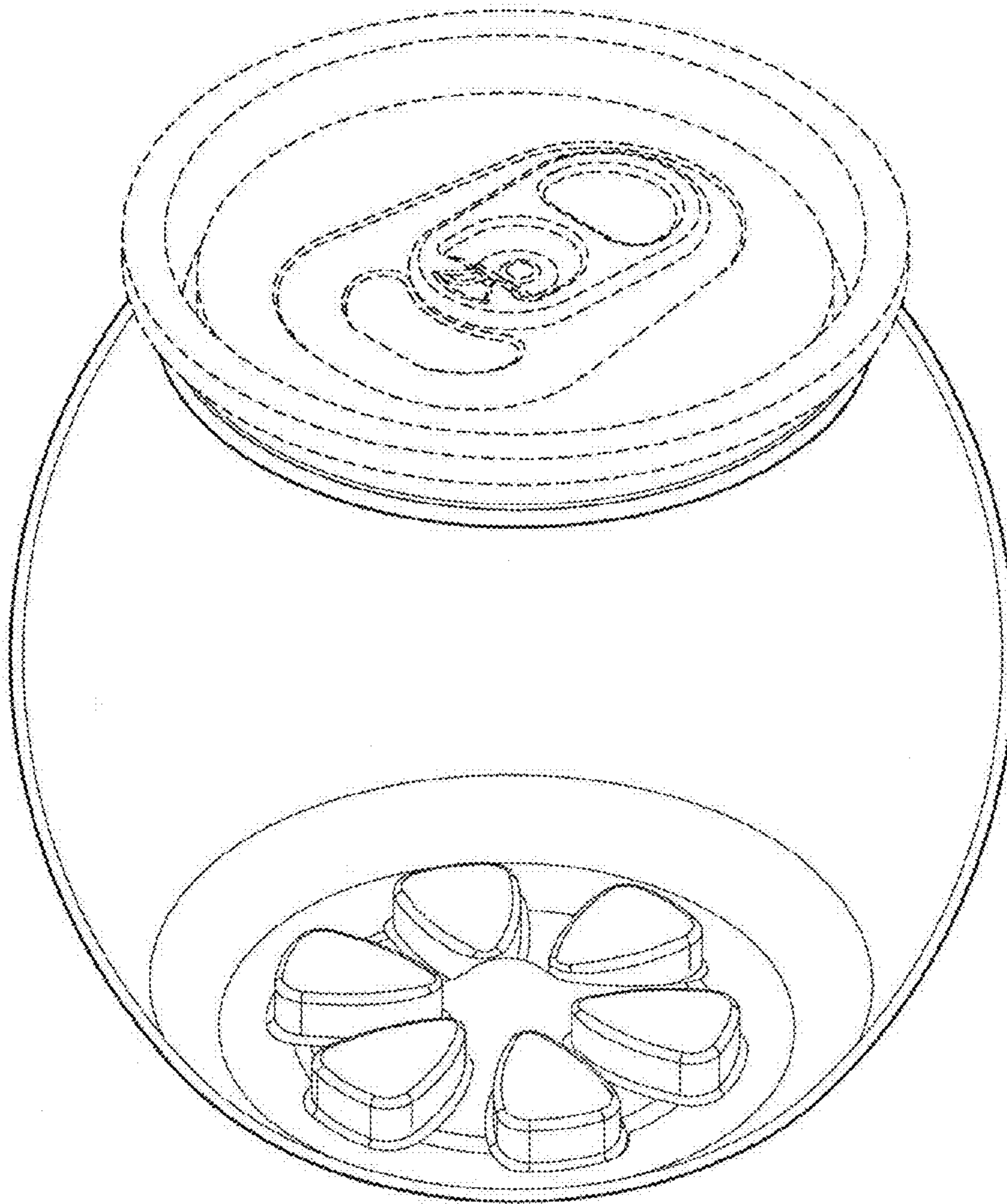


FIG. 2

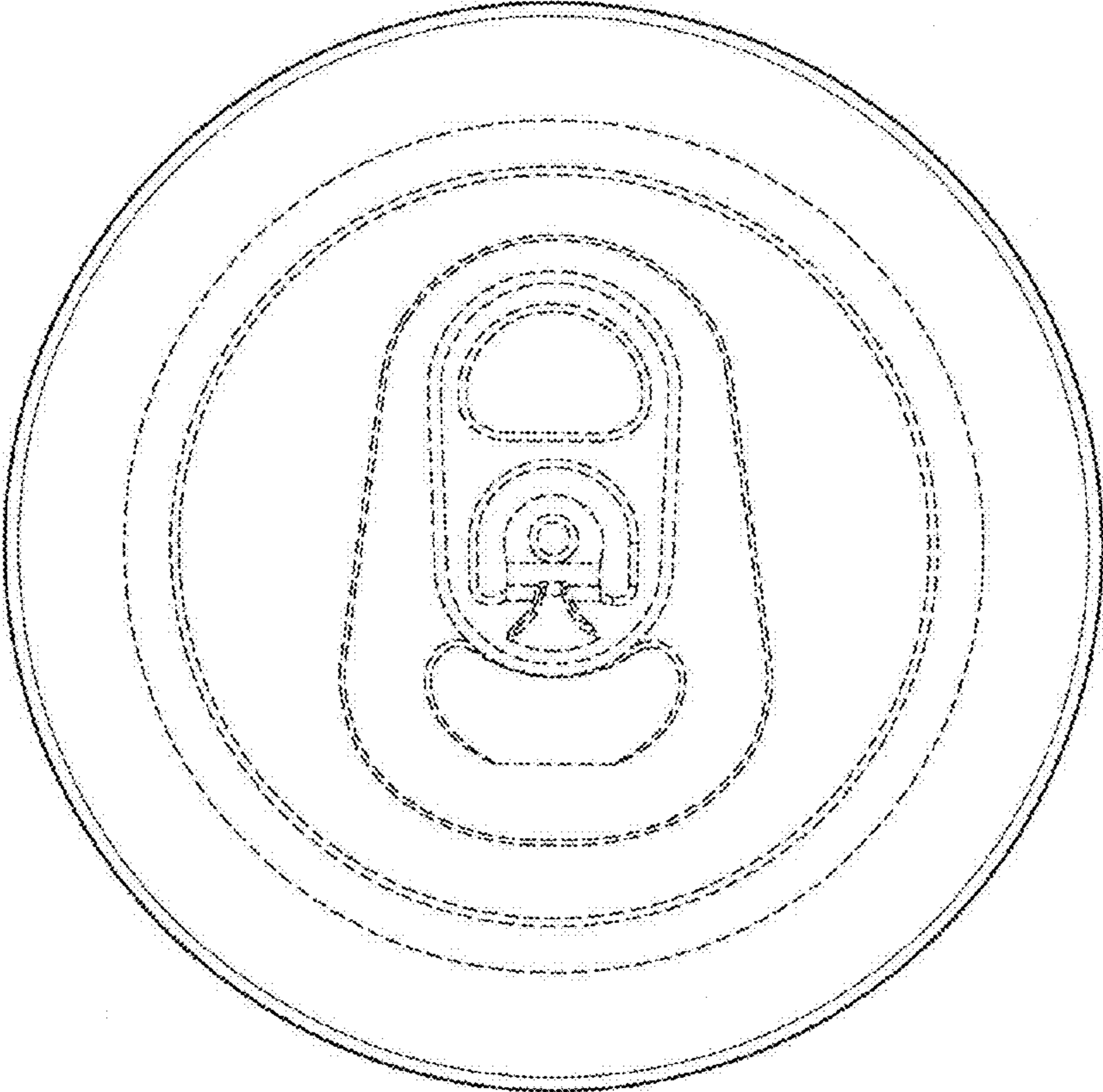


FIG. 3

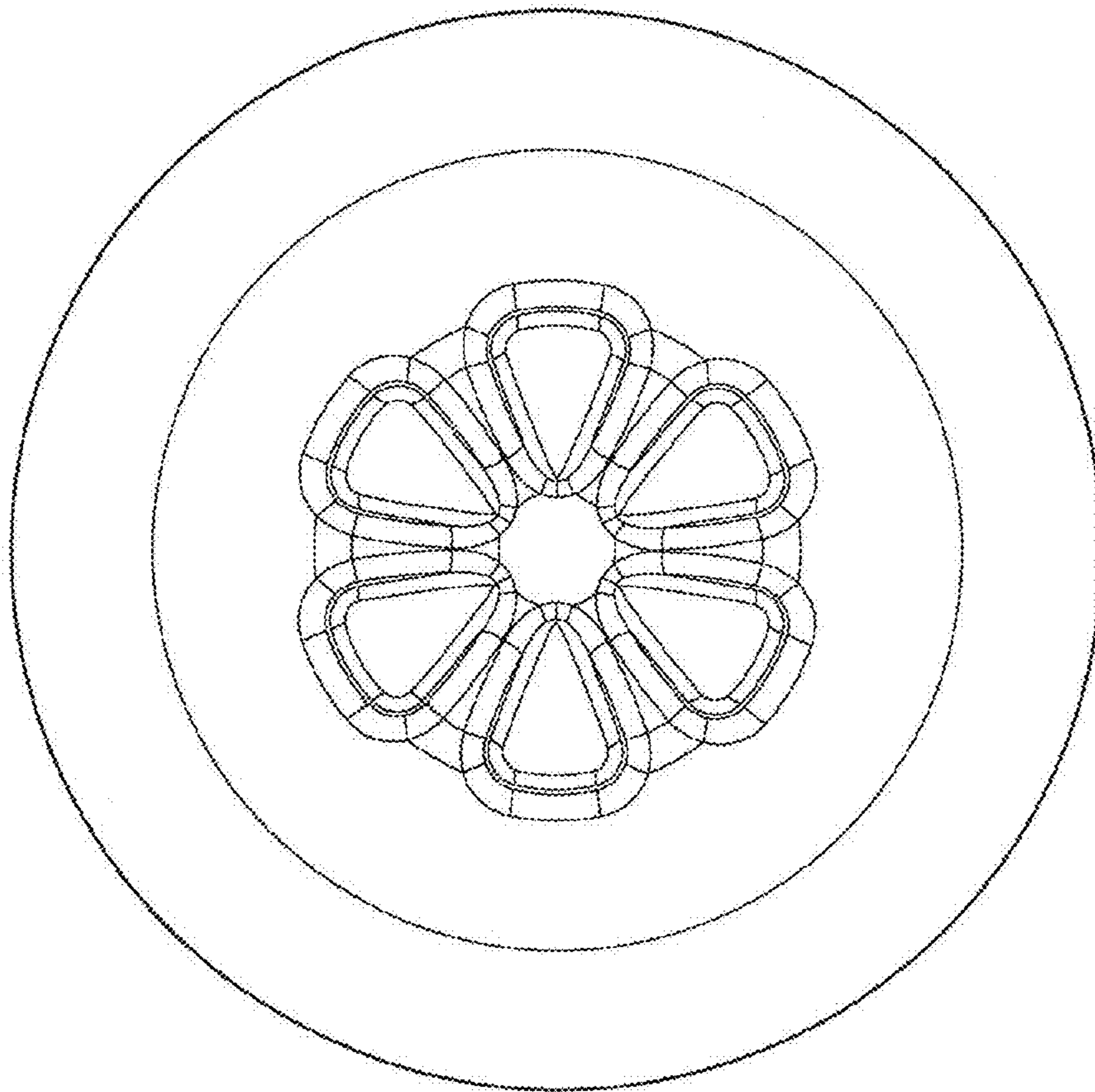


FIG. 4

UNITED STATES PATENT AND TRADEMARK OFFICE
CERTIFICATE OF CORRECTION

PATENT NO. : D703,068 S
APPLICATION NO. : 29/367905
DATED : April 22, 2014
INVENTOR(S) : Merrilee Kick

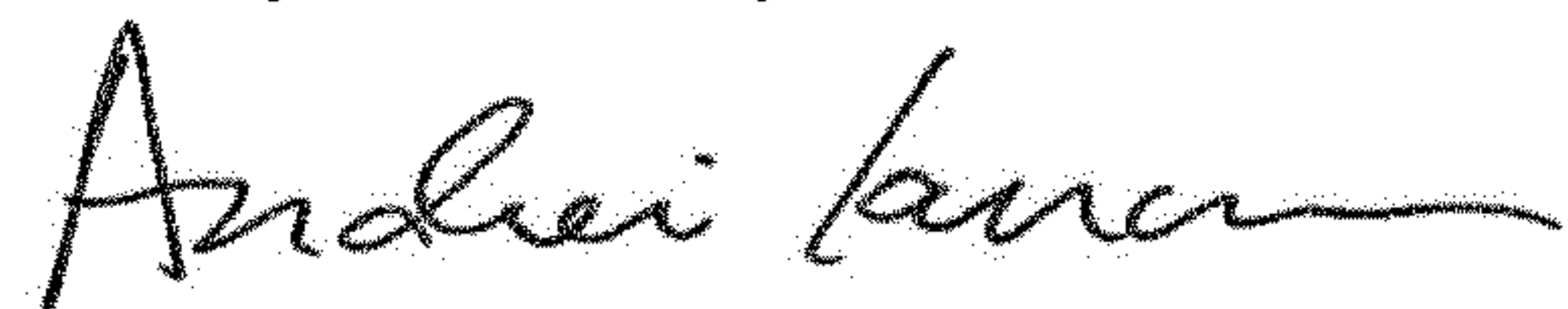
Page 1 of 1

It is certified that error appears in the above-identified patent and that said Letters Patent is hereby corrected as shown below:

On the Title Page

Inventor Address should read as:
2114 McDaniel Drive
Carrollton, Texas 75006

Signed and Sealed this
Twenty-third Day of October, 2018



Andrei Iancu
Director of the United States Patent and Trademark Office