



US00D703067S

(12) **United States Design Patent**
LoPriore

(10) **Patent No.:** **US D703,067 S**
(45) **Date of Patent:** **** Apr. 22, 2014**

(54) **CONTAINER**

(71) Applicant: **Lamrite West Inc.**, Strongsville, OH
(US)

(72) Inventor: **David LoPriore**, Strongsville, OH (US)

(73) Assignee: **Lamrite West Inc.**, Strongsville, OH
(US)

(**) Term: **14 Years**

(21) Appl. No.: **29/449,557**

(22) Filed: **Mar. 15, 2013**

(51) **LOC (10) Cl.** **09-01**

(52) **U.S. Cl.**
USPC **D9/741; D9/500**

(58) **Field of Classification Search**
USPC D9/428, 500, 502-505, 516, 549, 558,
D9/567, 682, 686-692, 723, 727, 737-738,
D9/744; D3/203.2, 203.3, 302; D7/591,
D7/596-597, 601-602; D19/81, 84-85;
215/6, 379, 381-382; 220/500,
220/503-505, 528-529, 552-555, 660, 675
See application file for complete search history.

(56) **References Cited**

U.S. PATENT DOCUMENTS

2,812,882 A * 11/1957 Osaka 222/142.4
3,144,152 A * 8/1964 Kopp 215/6

D241,818 S *	10/1976	Hejna	D9/737
D257,204 S *	10/1980	Bounds	D7/596
4,380,307 A *	4/1983	Stillinger	222/142.9
D282,233 S *	1/1986	Kelley	D7/553.6
D336,016 S *	6/1993	Reeves-Jackson	D7/596
D355,735 S *	2/1995	Shaffer et al.	D32/53
D367,408 S *	2/1996	Fordyce	D7/703
D396,749 S *	8/1998	Ortiz	D3/284
D531,857 S *	11/2006	Thomas	D7/596
D579,324 S *	10/2008	Schmidt	D9/418
D636,275 S *	4/2011	Stapleton	D9/757

* cited by examiner

Primary Examiner — Ian Simmons

Assistant Examiner — Dana L Meyrow

(74) *Attorney, Agent, or Firm* — Greenberg Traurig, LLP

(57) **CLAIM**

What is claimed is the ornamental design for a container, as shown and described.

DESCRIPTION

FIG. 1 is a front top perspective view of a container.

FIG. 2 is a right side elevational view thereof.

FIG. 3 is a left side elevational view thereof.

FIG. 4 is a front side elevational view thereof.

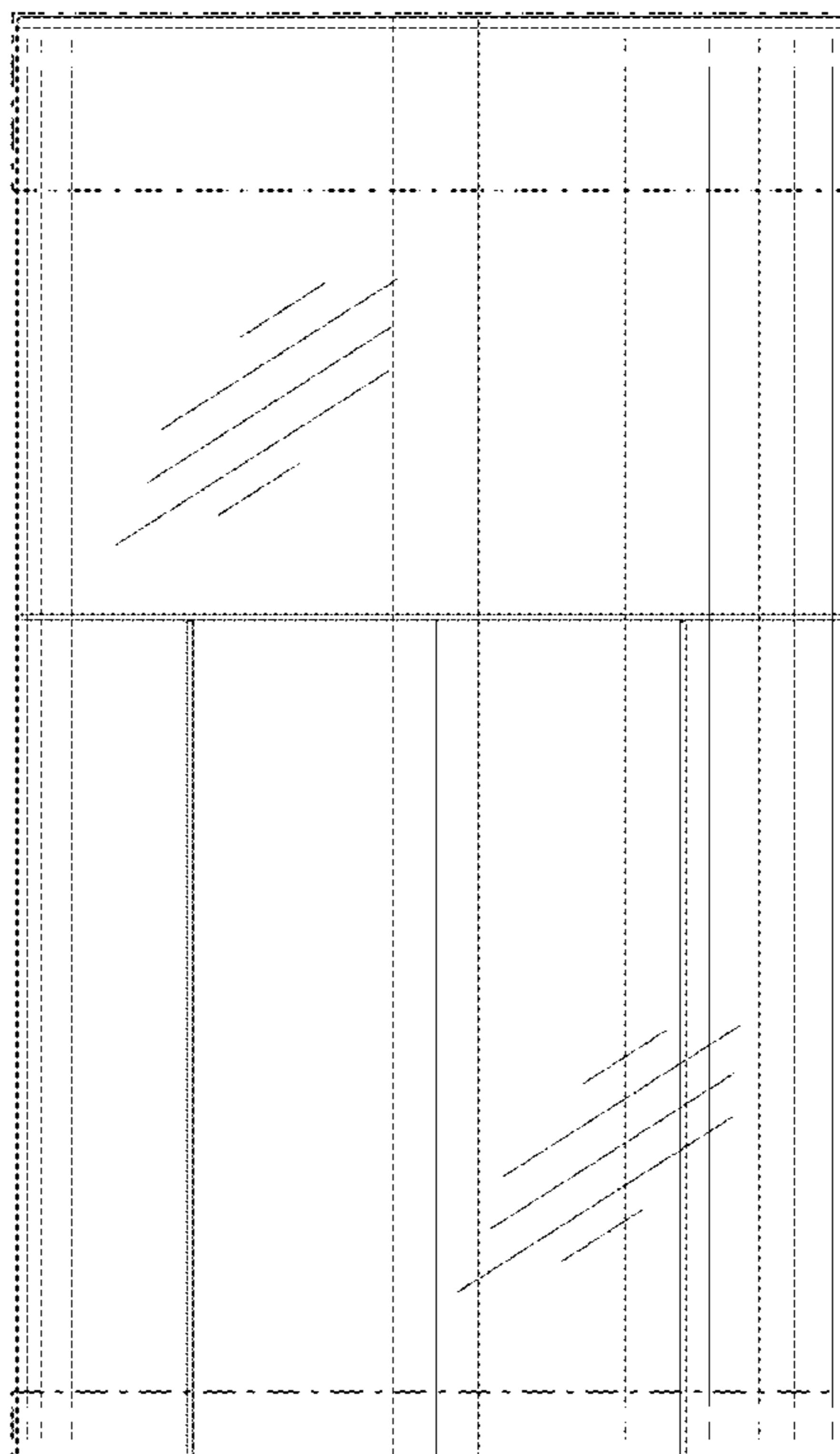
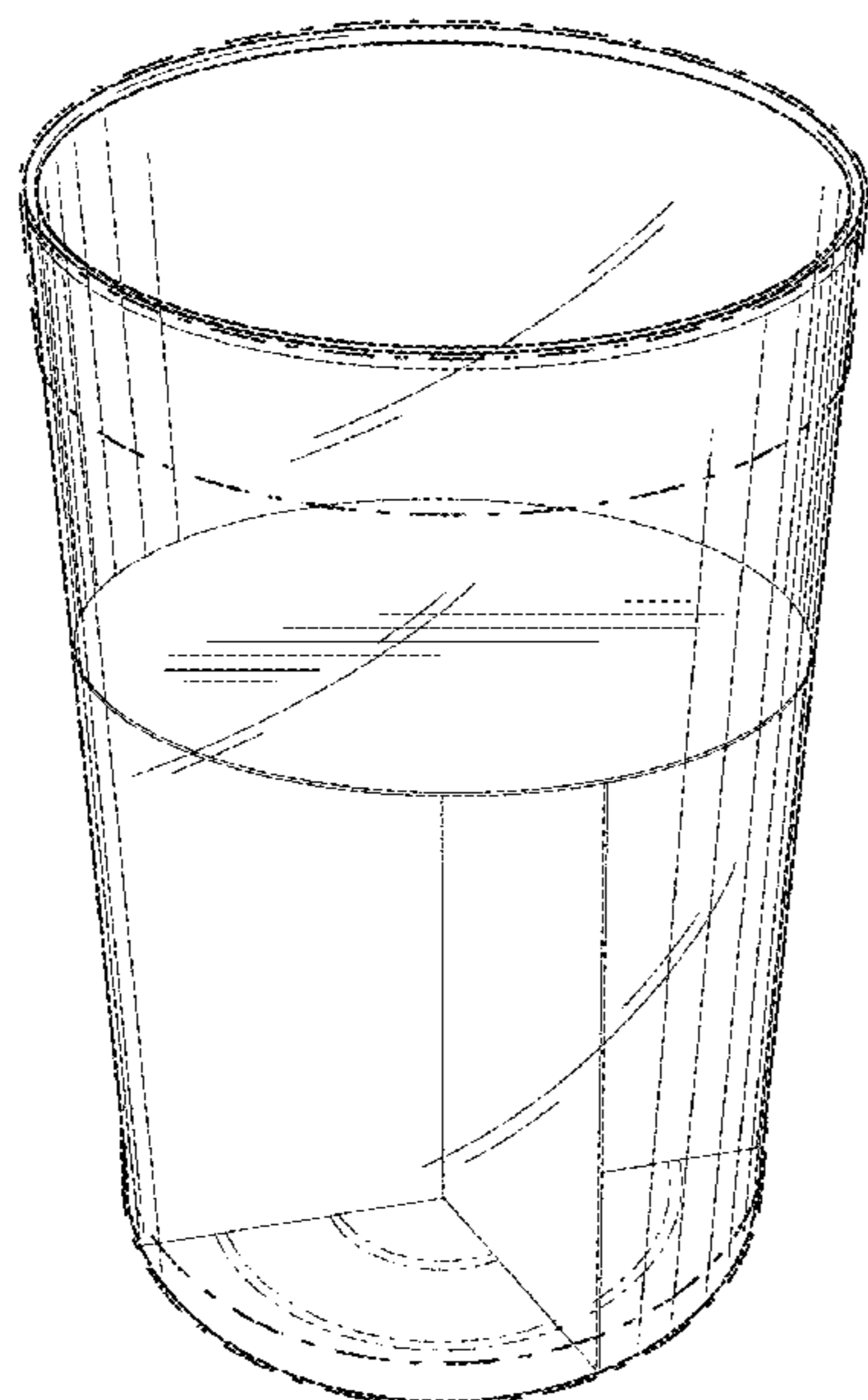
FIG. 5 is rear side elevational view thereof.

FIG. 6 is a top plan view thereof; and,

FIG. 7 is a bottom plan view thereof.

The dot-dash broken lines in the drawings illustrate the portions of the design that form no part of the claim.

1 Claim, 7 Drawing Sheets



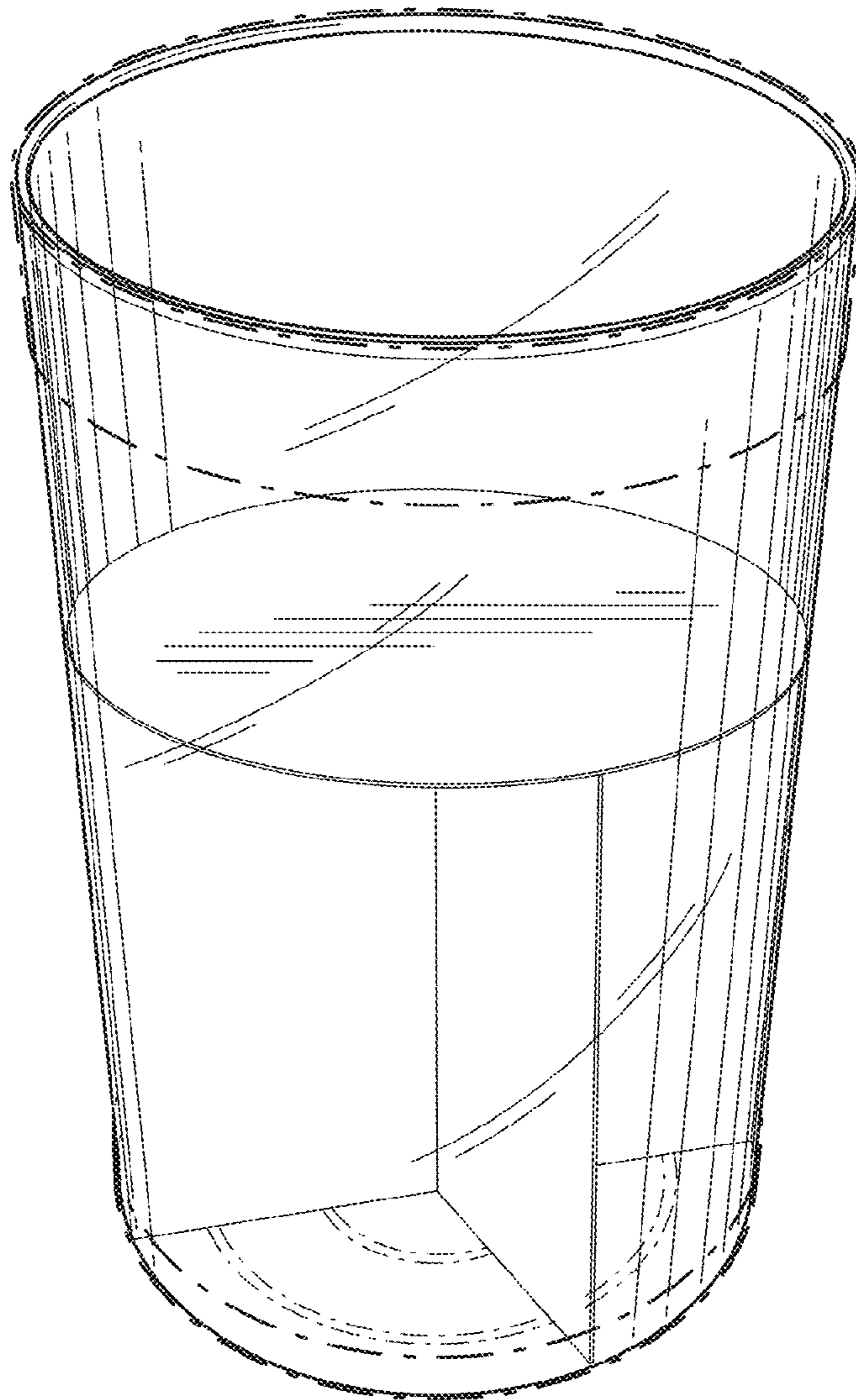


FIG. 1

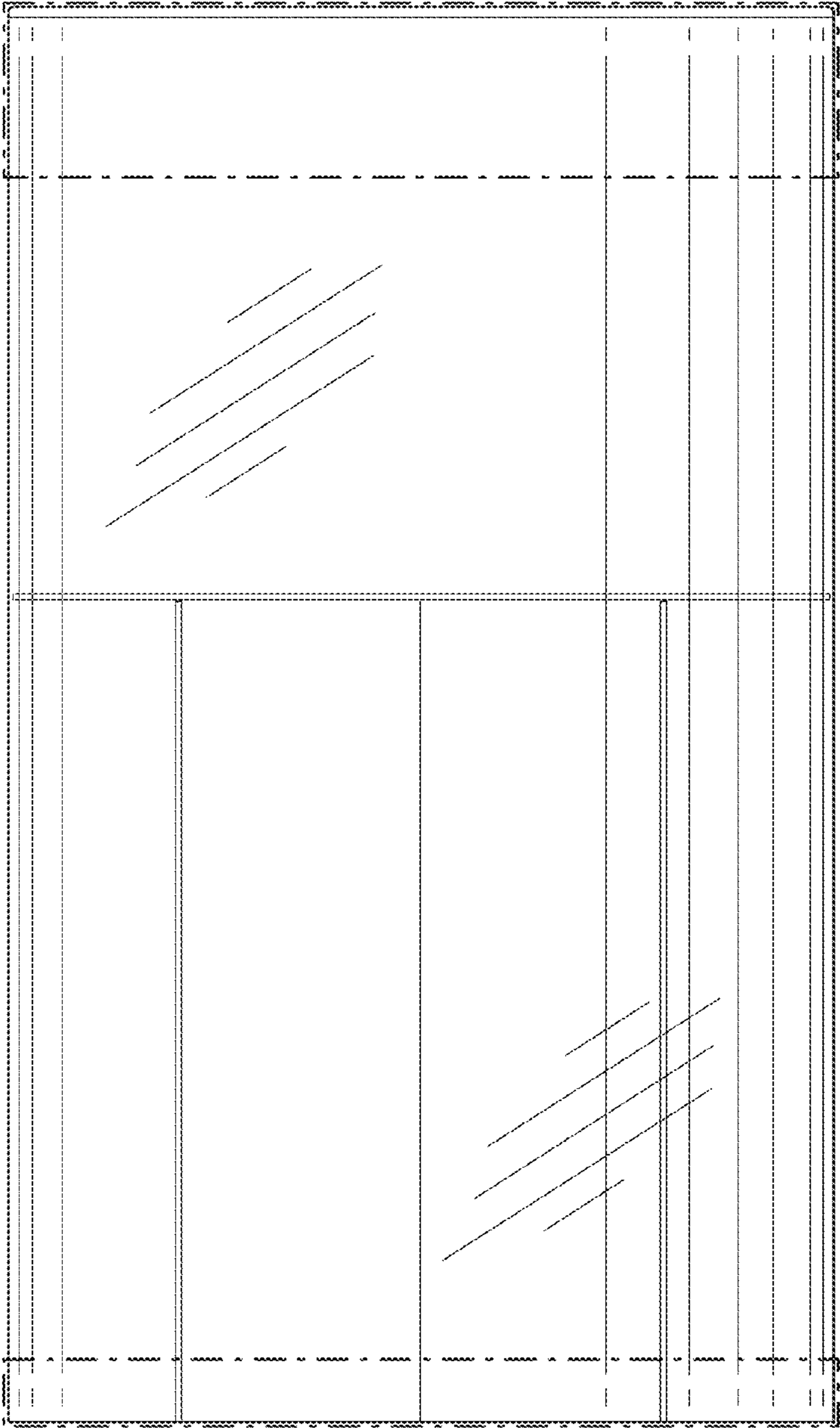


FIG. 2

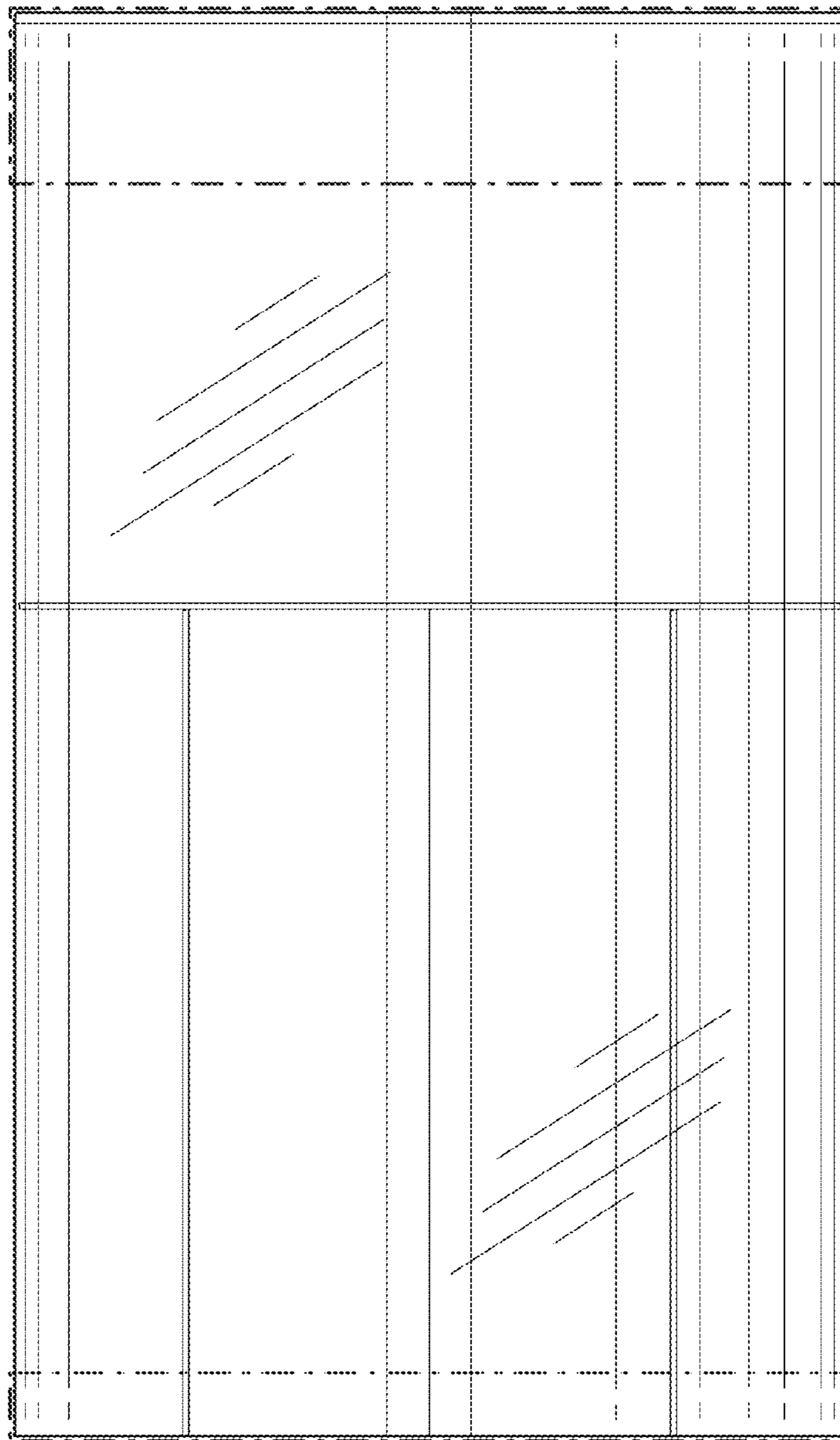


FIG. 3

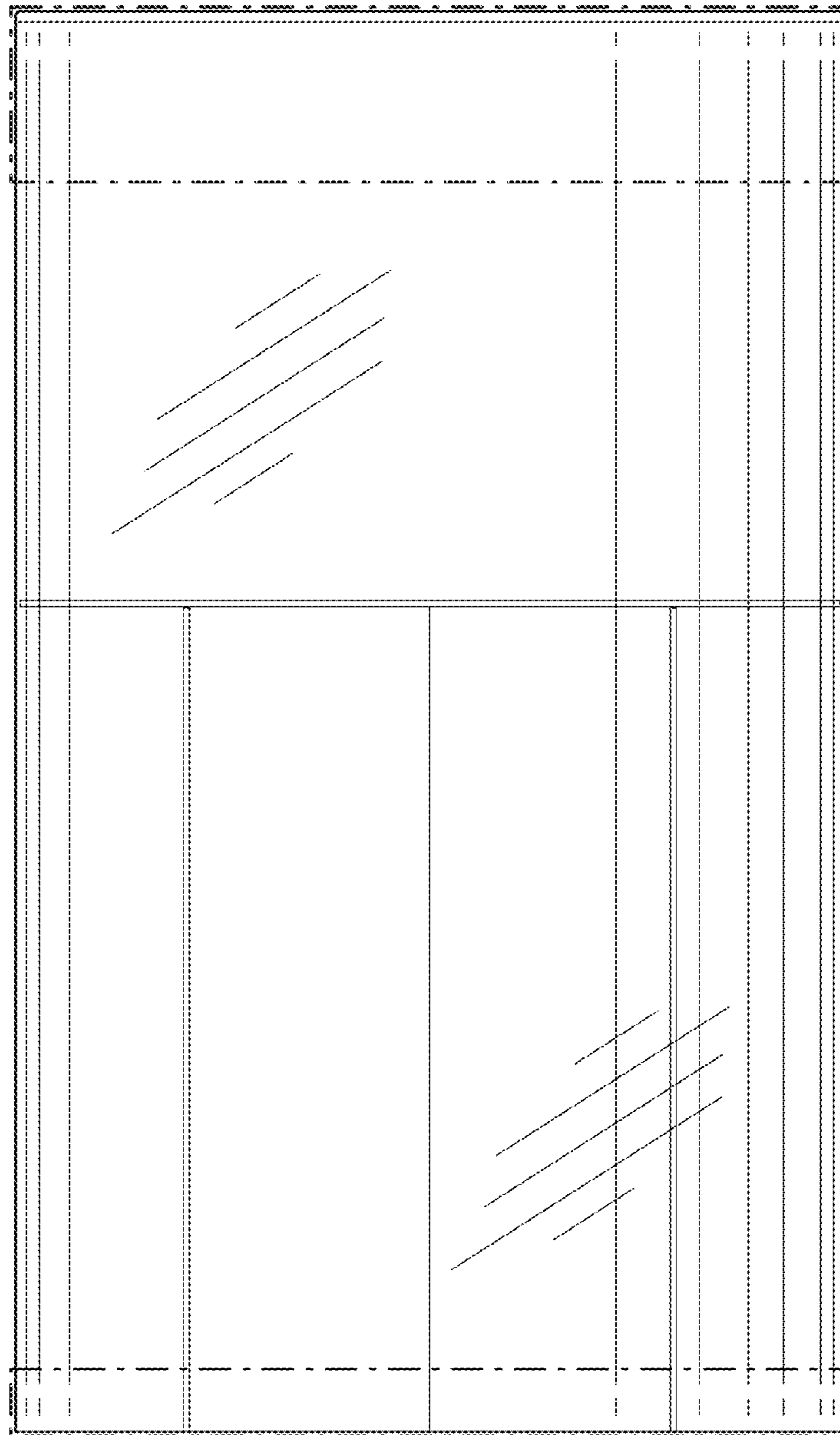


FIG. 4

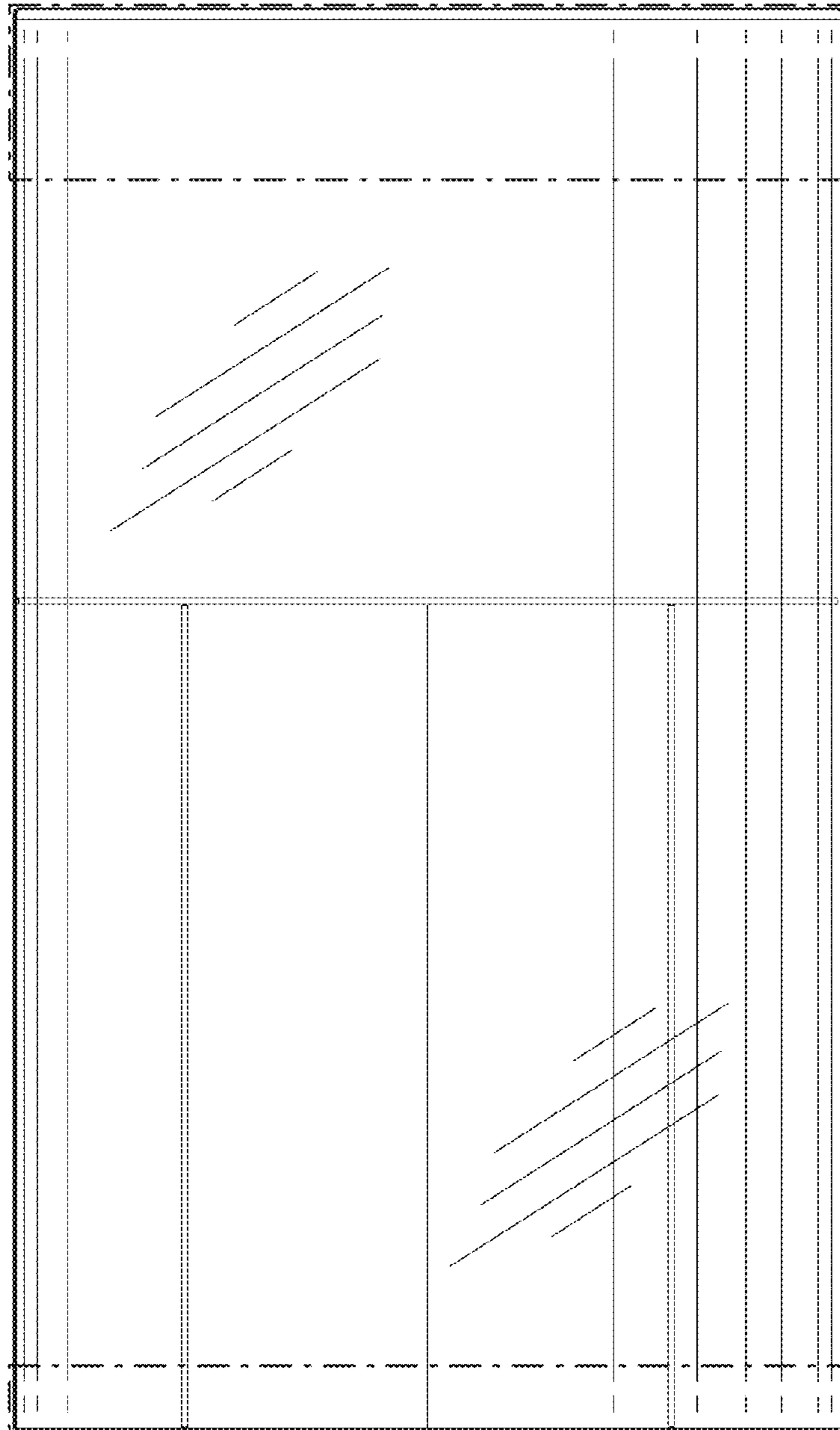


FIG. 5

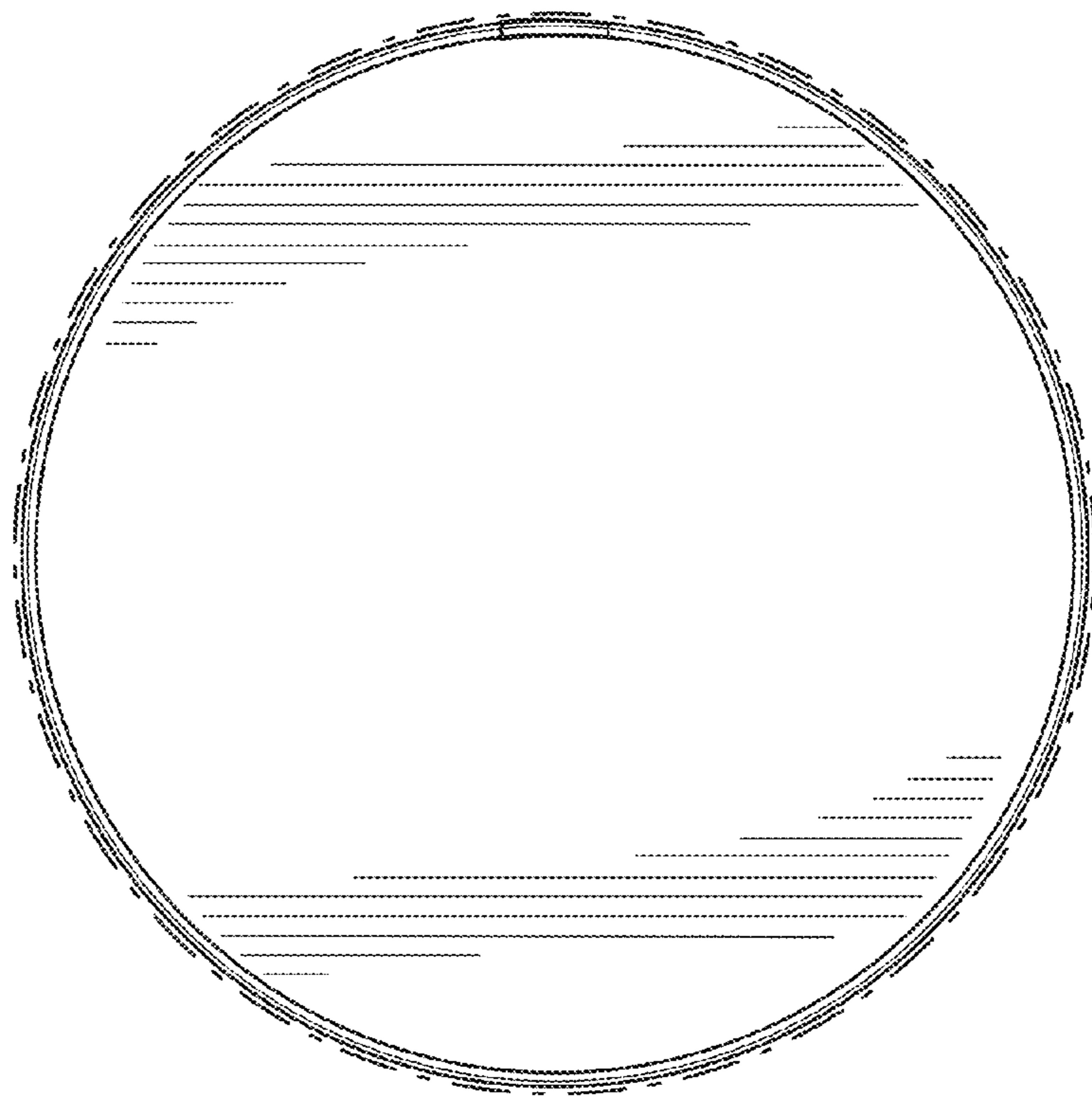


FIG. 6

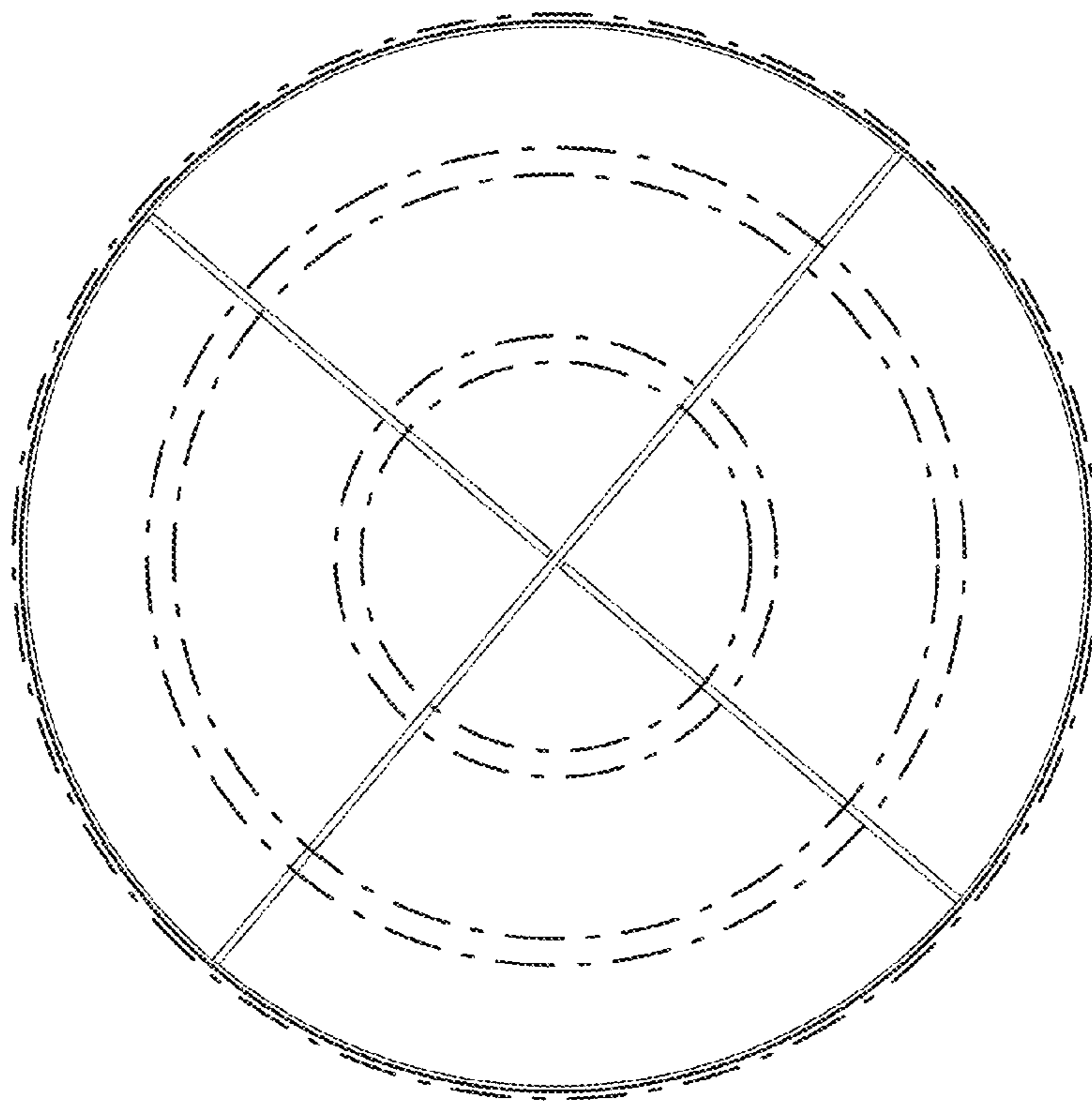


FIG. 7