



US00D703065S

(12) **United States Design Patent**
Kim

(10) **Patent No.:** **US D703,065 S**
(45) **Date of Patent:** **** Apr. 22, 2014**

(54) **SHIRT AND TIES ARRANGED IN A BOX**

(75) Inventor: **Cin Kim**, Alpine, NJ (US)

(73) Assignee: **Peacock Apparel Group, Inc.**, New York, NY (US)

(**) Term: **14 Years**

(21) Appl. No.: **29/385,437**

(22) Filed: **Feb. 14, 2011**

(51) **LOC (10) CI.** **09-03**

(52) **U.S. Cl.**
USPC **D9/721**

(58) **Field of Classification Search**
USPC D9/414, 415, 418, 423, 430, 432, 433,
D9/434, 456, 457, 715, 721, 722, 737;
D2/500-502, 600, 602, 605-607, 609,
D2/728, 828-830, 840-842, 847, 849, 853,
D2/854; 2/66, 77, 102, 115, 128, 144, 145,
2/148, 151, 154; 206/8, 213, 242, 275,
206/278, 279, 281, 282, 283, 289, 292, 293,
206/295, 297, 478, 554, 745, 769, 770;
229/71, 83, 87.15, 87.06, 87.17, 122,
229/125.08, 136, 203, 240, 275; 116/234;
223/71

See application file for complete search history.

(56) **References Cited**

U.S. PATENT DOCUMENTS

698,266 A	4/1902	Elliott	
982,948 A	1/1911	Griesemer	
1,253,457 A	1/1918	Atkinson	
1,347,359 A *	7/1920	Allison	2/144
1,398,364 A *	11/1921	Davidson	206/278
1,497,787 A *	6/1924	Parent et al.	206/292
1,862,353 A	6/1932	Allison	
1,995,864 A	3/1935	Reinhold	
2,063,255 A	12/1936	Kim	

2,093,830 A	9/1937	Flatley	
2,233,207 A	2/1941	Gillam	
D126,123 S *	3/1941	Clemens	D9/418
2,237,330 A *	4/1941	Bischoff	229/87.17
2,316,384 A *	4/1943	Abramson	229/122.31
2,907,045 A	10/1959	O'Reilly	
3,043,494 A	7/1962	Kim	
3,060,448 A	10/1962	Mongelli	
3,066,792 A	12/1962	Spilman	
3,308,935 A	3/1967	Cote	
3,346,881 A	10/1967	Mathison	
3,363,264 A	1/1968	Mathison	
3,379,359 A *	4/1968	Arneson	229/122
3,506,978 A	4/1970	Santona Aldo	
3,511,364 A	5/1970	Airido	
3,670,881 A	6/1972	Dutcher	

(Continued)

OTHER PUBLICATIONS

U.S. Appl. No. 29/326,598, filed Oct. 21, 2008, Kim.

(Continued)

Primary Examiner — Derrick Holland

Assistant Examiner — Lauren Calve

(74) *Attorney, Agent, or Firm* — Leason Ellis LLP

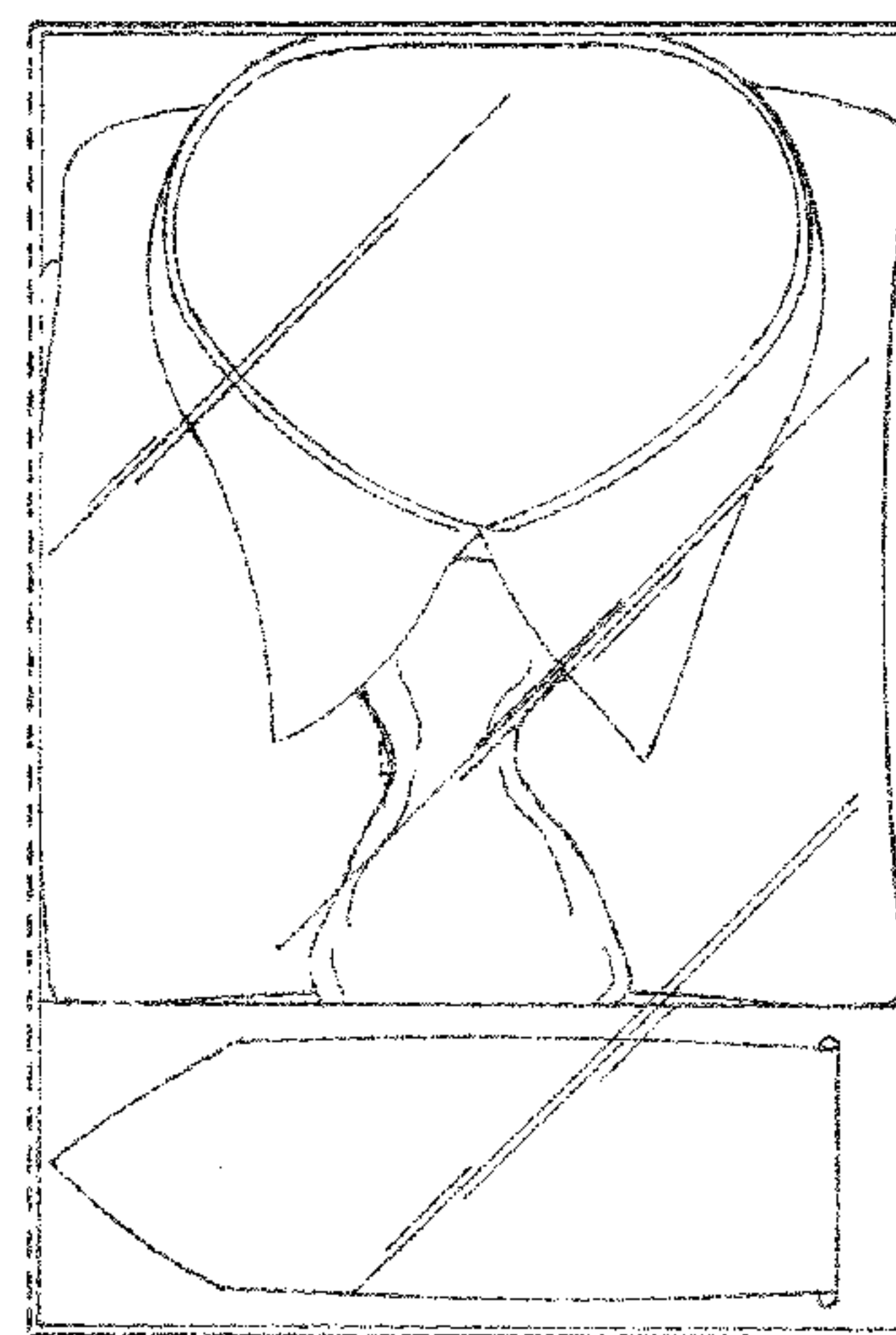
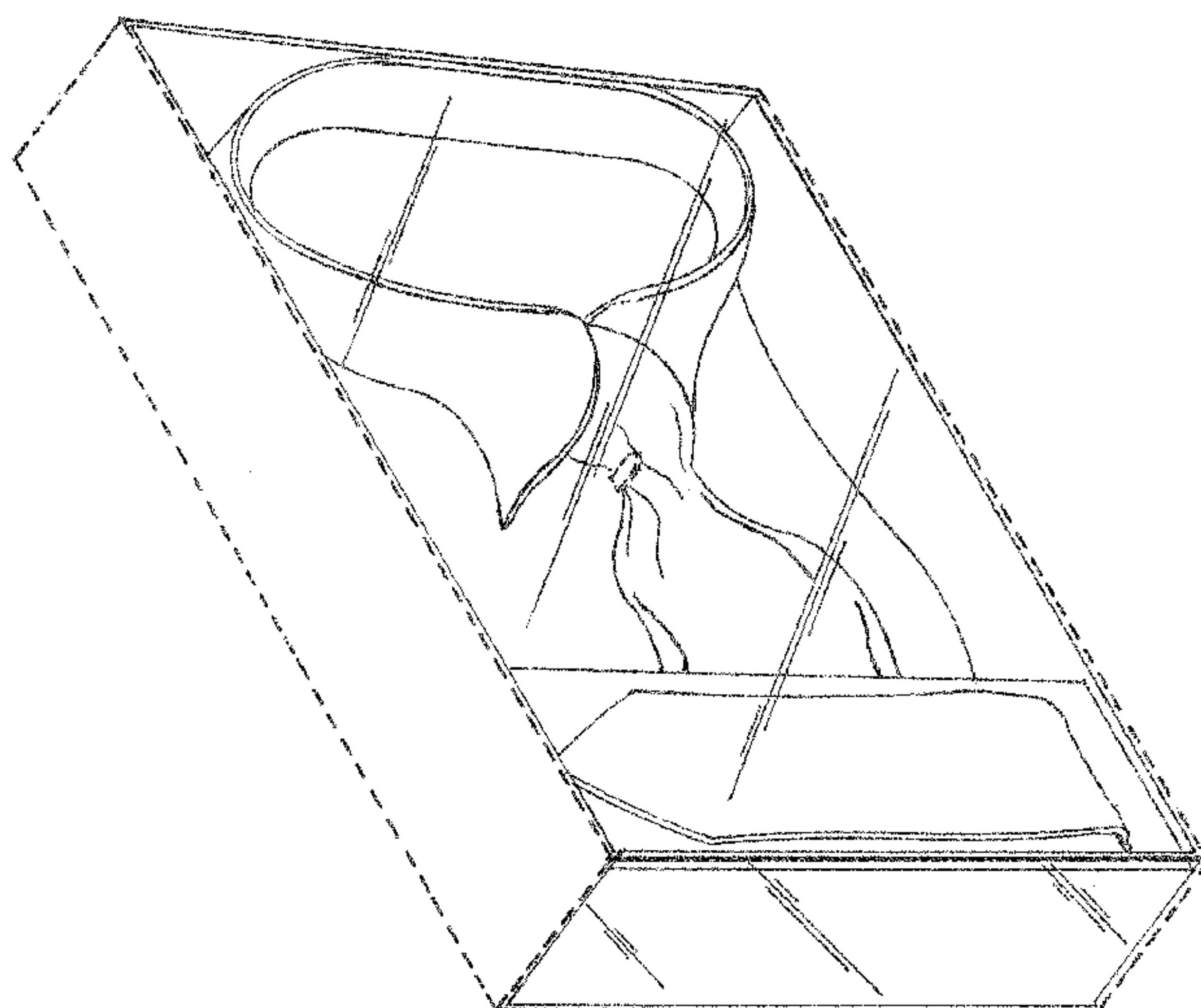
(57) **CLAIM**

The ornamental design for a shirt and ties arranged in a box, as shown and described.

DESCRIPTION

FIG. 1 is a top and front perspective view of a shirt and ties arranged in a box showing my new design; FIG. 2 is a front elevation view thereof; FIG. 3 is a rear elevation view thereof; FIG. 4 is a top plan view thereof; and, FIG. 5 is a bottom plan view thereof. The broken lines shown in FIGS. 1-5 represent unclaimed subject matter and form no part of the claimed design.

1 Claim, 2 Drawing Sheets



(56)

References Cited

U.S. PATENT DOCUMENTS

3,890,678 A 6/1975 Leonard
 3,964,105 A 6/1976 Gideon
 3,999,222 A 12/1976 Walborn
 4,046,253 A 9/1977 Weaver
 4,173,792 A 11/1979 Intengan
 4,182,224 A 1/1980 Dutcher
 D261,479 S 10/1981 Marks
 4,546,494 A 10/1985 Garber
 4,590,610 A 5/1986 Rhyne
 4,667,346 A 5/1987 Strollo
 4,762,272 A 8/1988 Herrin
 4,778,050 A * 10/1988 Baptiste 206/281
 4,856,709 A 8/1989 Axelsson et al.
 4,933,991 A 6/1990 Love
 5,002,220 A 3/1991 Safranski
 D343,356 S 1/1994 Wittman
 D346,960 S 5/1994 Bennett
 5,316,139 A 5/1994 Judd et al.
 D349,181 S 8/1994 Cheng
 5,499,484 A 3/1996 Herrin
 D368,588 S 4/1996 Goraleski et al.
 5,549,243 A 8/1996 Dorier et al.
 5,673,434 A 10/1997 Risk
 D390,339 S 2/1998 Dipietro
 5,774,893 A 7/1998 Torres
 6,041,998 A 3/2000 Goldberg et al.
 6,102,279 A 8/2000 Dowd
 6,126,000 A 10/2000 Tung
 6,142,365 A 11/2000 Breitbach
 6,460,189 B1 10/2002 Welch
 6,499,590 B1 12/2002 Godshaw et al.
 D492,595 S 7/2004 Chang
 6,901,636 B2 6/2005 Kim
 6,978,518 B2 12/2005 Kim
 7,096,509 B2 8/2006 Kim

7,114,220 B2 10/2006 Kim
 D546,674 S 7/2007 Limber
 D553,495 S 10/2007 Vandecasteele et al.
 7,310,857 B2 12/2007 Kim
 D565,965 S 4/2008 Kim
 D565,966 S 4/2008 Kim
 D574,722 S * 8/2008 Kim D9/721
 D574,723 S 8/2008 Kim
 D574,724 S 8/2008 Kim
 D574,725 S 8/2008 Kim
 D574,726 S 8/2008 Kim
 D574,727 S 8/2008 Kim
 D574,728 S 8/2008 Kim
 D574,730 S 8/2008 Kim
 D589,364 S 3/2009 Kim
 D589,365 S 3/2009 Kim
 D589,366 S 3/2009 Kim
 D589,367 S 3/2009 Kim
 D590,724 S 4/2009 Kim
 D590,725 S 4/2009 Kim
 D590,726 S 4/2009 Kim
 D593,872 S 6/2009 Kim
 D593,873 S 6/2009 Kim
 D595,151 S 6/2009 Kim
 D596,951 S 7/2009 Kim
 D596,952 S 7/2009 Kim
 7,621,393 B2 11/2009 Kim
 D606,883 S 12/2009 Kim
 8,167,125 B2 * 5/2012 Kim 206/278
 8,167,157 B2 * 5/2012 Shalomoff 220/4.28
 2005/0067443 A1 3/2005 Kim
 2007/0045131 A1 3/2007 Kim
 2009/0032434 A1 2/2009 Kim
 2010/0025269 A1 2/2010 Kim

OTHER PUBLICATIONS

U.S. Appl. No. 13/021,396, filed Feb. 4, 2011, Kim.

* cited by examiner

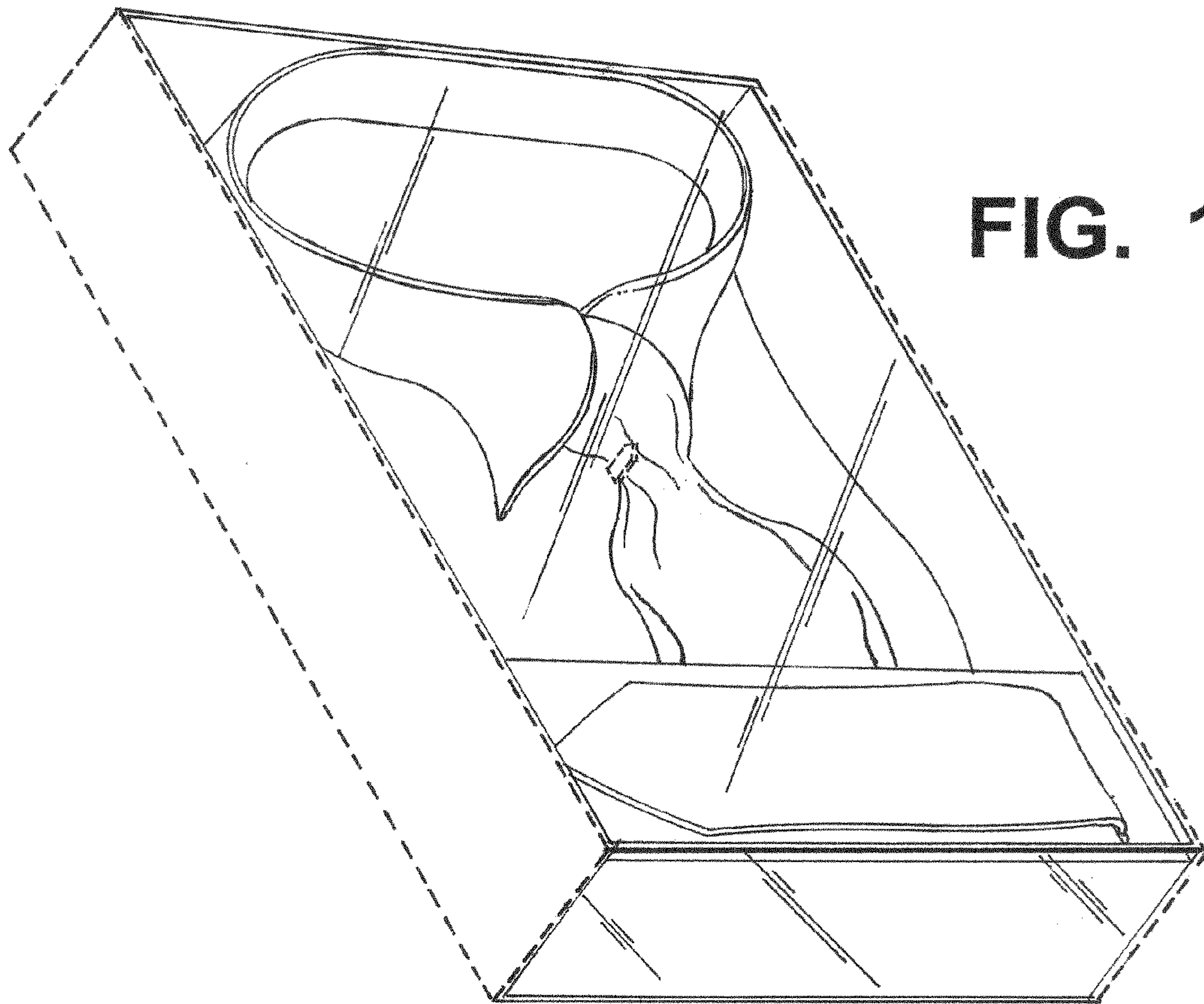


FIG. 1

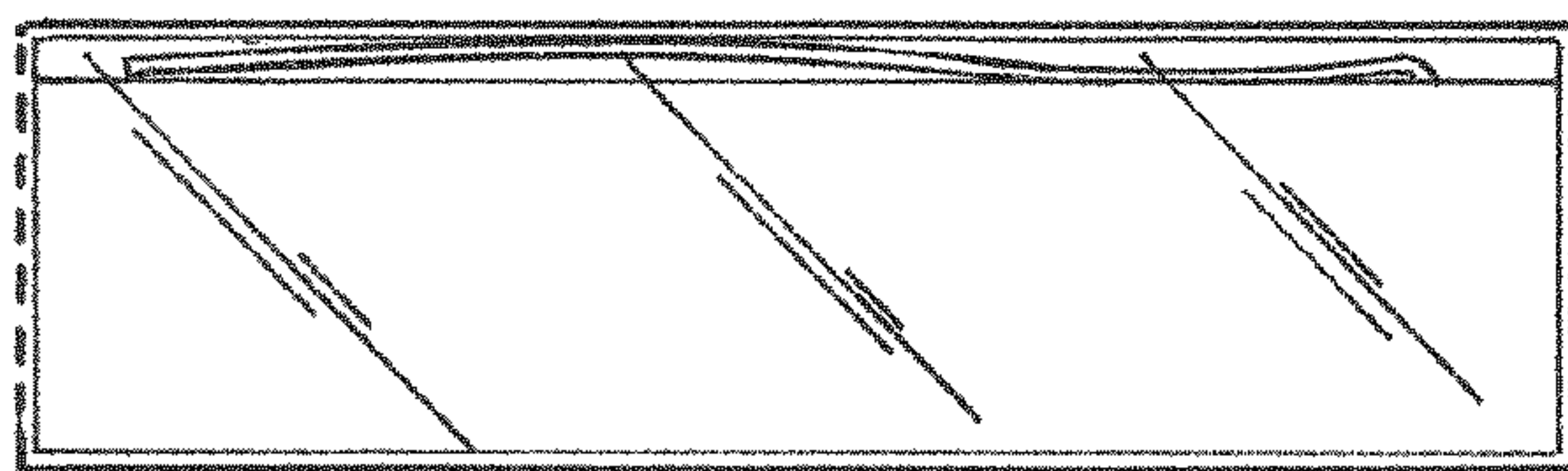


FIG. 2

FIG. 3

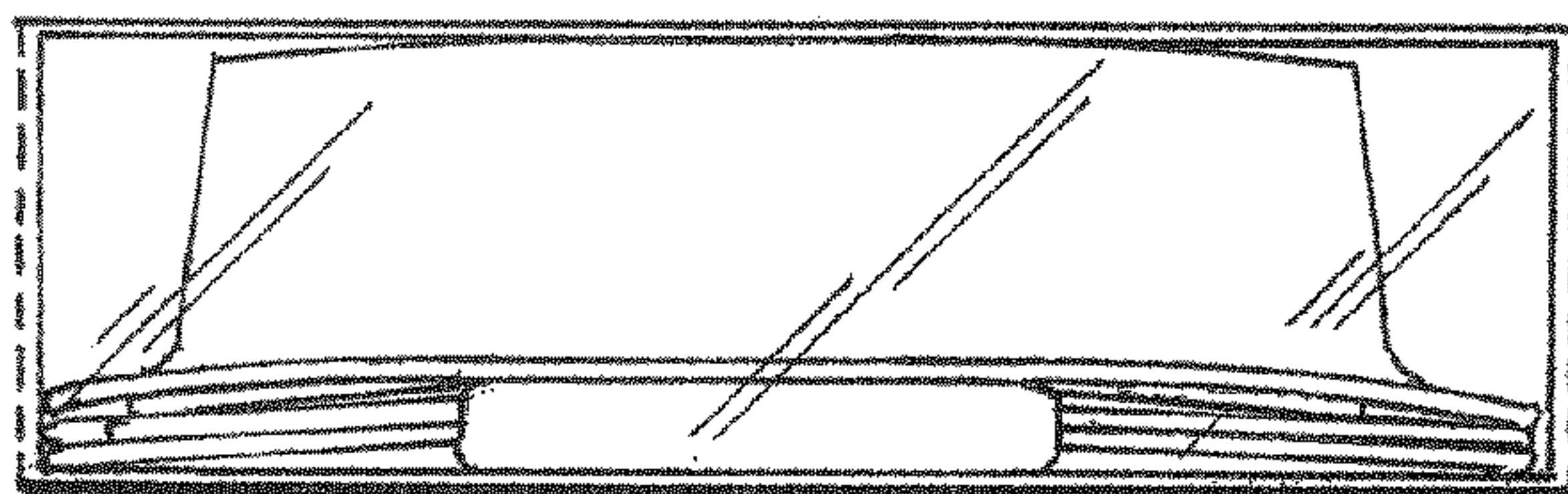


FIG. 5

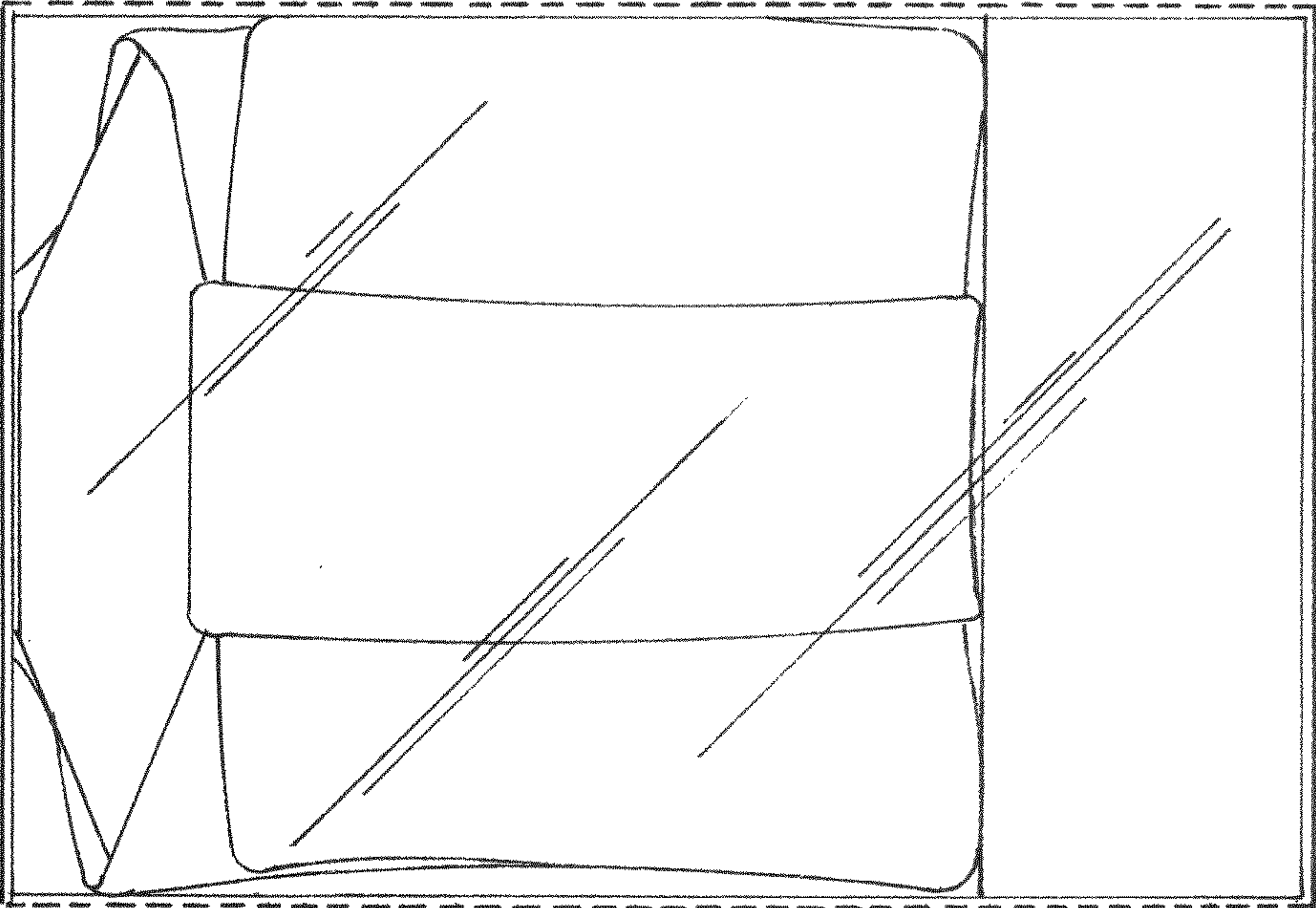


FIG. 4

