



US00D703056S

(12) **United States Design Patent**
Yourist

(10) **Patent No.:** **US D703,056 S**

(45) **Date of Patent:** **** Apr. 22, 2014**

(54) **CONTAINER**

(75) Inventor: **Sheldon E. Yourist**, York, PA (US)

(73) Assignee: **Graham Packaging Company, L.P.**,
York, PA (US)

(**) Term: **14 Years**

(21) Appl. No.: **29/363,364**

(22) Filed: **Jun. 8, 2010**

4,997,691 A	3/1991	Parkinson	
5,071,029 A	12/1991	Umlah et al.	
D323,290 S	1/1992	Keedy, Jr.	
D324,493 S	3/1992	Nickerson	
6,520,362 B2	2/2003	Heisel et al.	
D498,677 S *	11/2004	Darr et al.	D9/528
D528,008 S *	9/2006	Lovelace et al.	D9/560
D559,120 S	1/2008	Farrow et al.	
D559,121 S	1/2008	Farrow et al.	
D624,824 S *	10/2010	Perez et al.	D9/551
D625,202 S *	10/2010	Yourist	D9/773
D632,182 S *	2/2011	Russell et al.	D9/560
2011/0226788 A1 *	9/2011	Yourist	220/669

* cited by examiner

Related U.S. Application Data

(63) Continuation of application No. 29/357,974, filed on Mar. 19, 2010, now Pat. No. Des. 625,202.

(51) **LOC (10) Cl.** **09-01**

(52) **U.S. Cl.**
USPC **D9/516; D9/773**

(58) **Field of Classification Search**
USPC D9/500, 502, 516, 530, 537, 539, 542,
D9/552, 554, 556-558, 564, 565, 567, 569,
D9/570, 763, 772, 773, 775-779;
215/381-385; 220/660, 669, 679, 752
See application file for complete search history.

(56) **References Cited**

U.S. PATENT DOCUMENTS

D104,342 S *	5/1937	Duncan	D7/529
D200,443 S	2/1965	Deegan	
D201,400 S	6/1965	Kneeland	
D205,686 S	9/1966	Marchant	
D277,041 S	1/1985	Nichols	
4,840,289 A	6/1989	Fait et al.	

Primary Examiner — Keli L Hill

(74) *Attorney, Agent, or Firm* — Baker Botts L.L.P.

(57) **CLAIM**

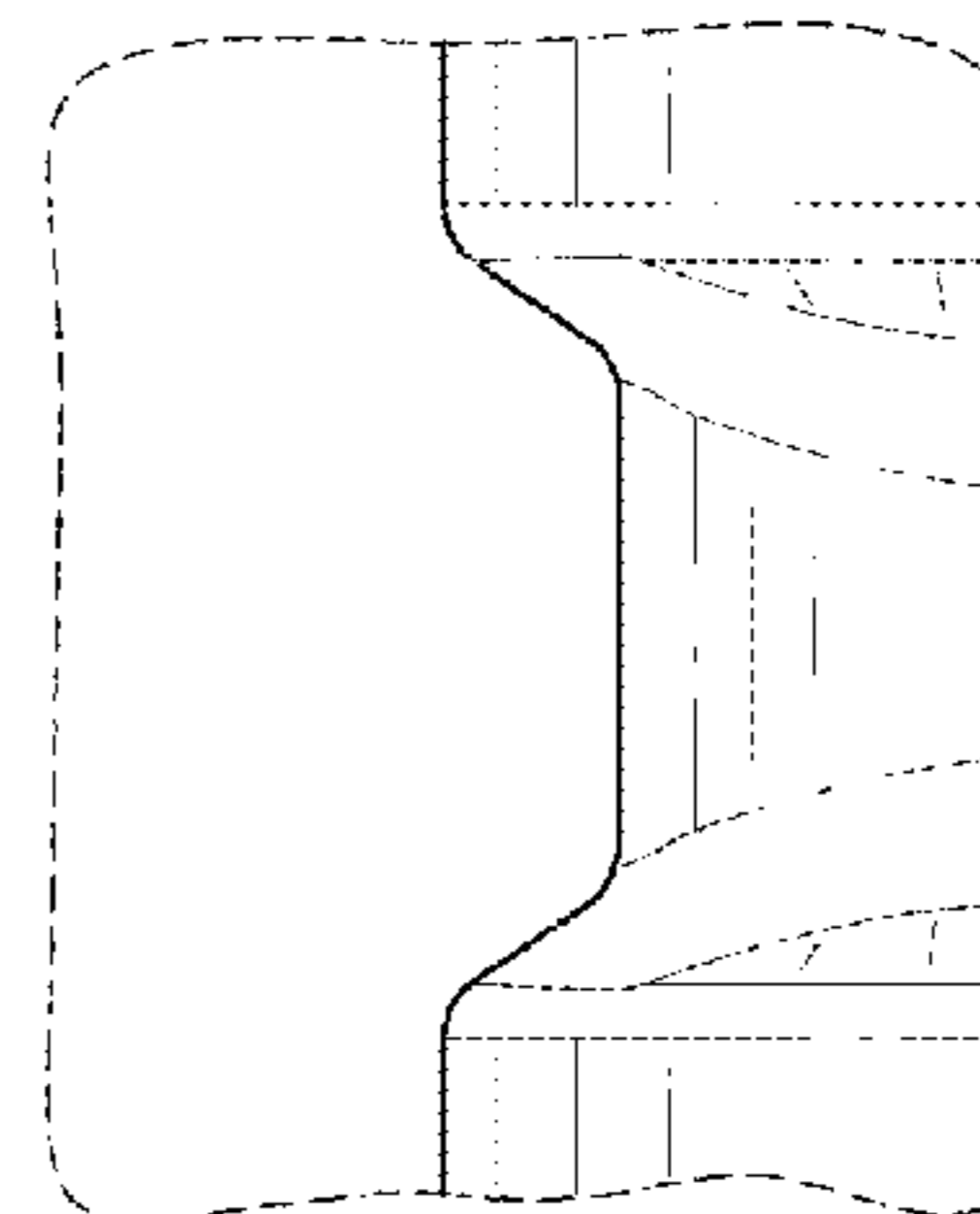
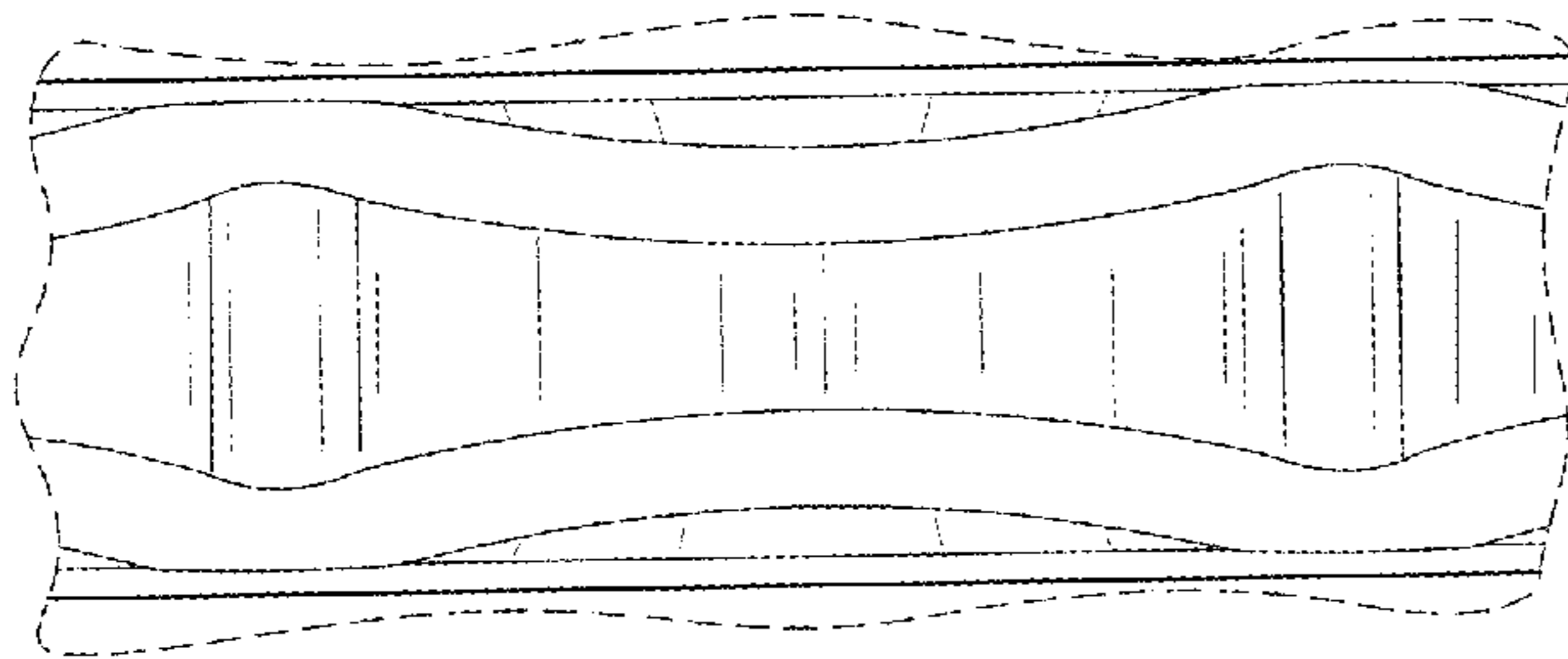
The ornamental design for a container, as shown and described.

DESCRIPTION

FIG. 1 is a perspective view of a container, embodying my new design;
FIG. 2 is a front elevation view thereof;
FIG. 3 first side elevation view thereof;
FIG. 4 is a second side elevation view thereof; and,
FIG. 5 is an alternate perspective view thereof, as denoted by reference number 1, shown in context of a plastic container body.

The wavy broken line circumscribes the details of the container to which the claim is directed. The broken lines illustrating the container form no part of the claimed design.

1 Claim, 3 Drawing Sheets



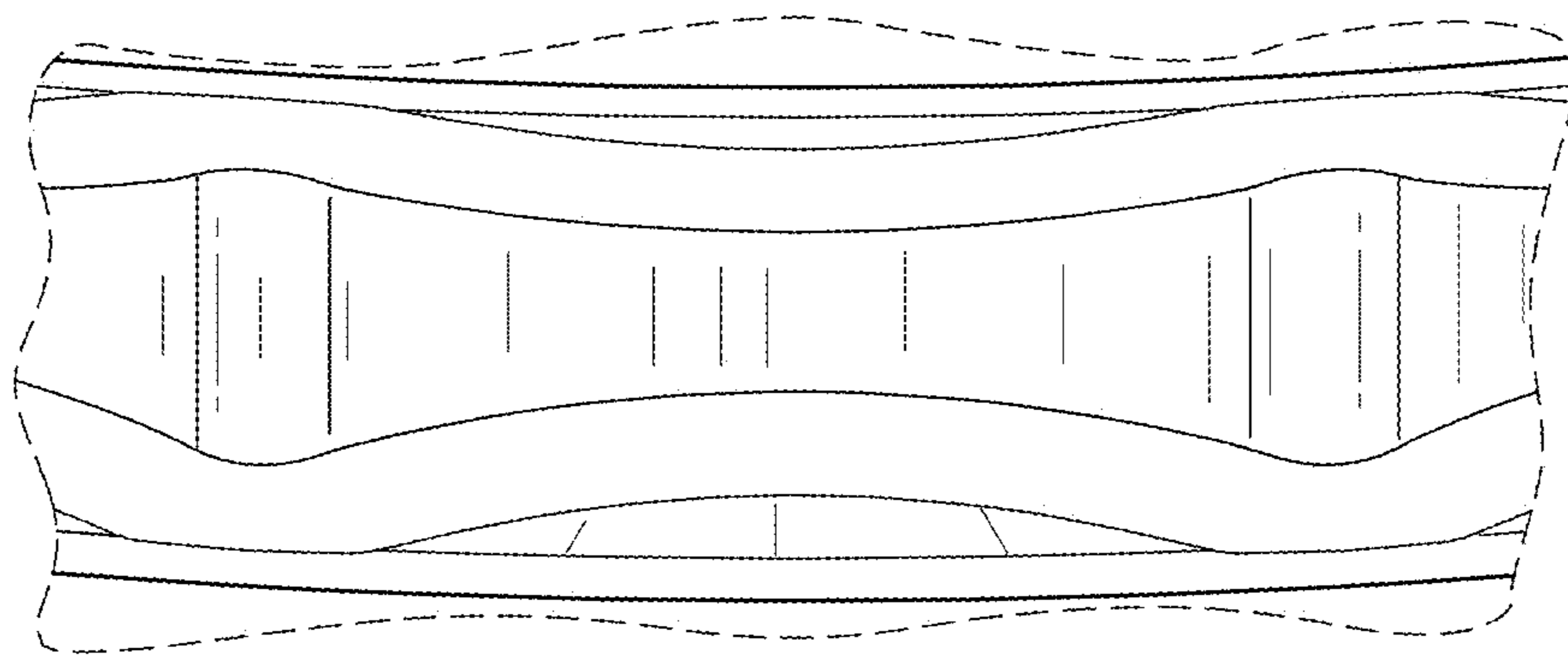


FIG. 1

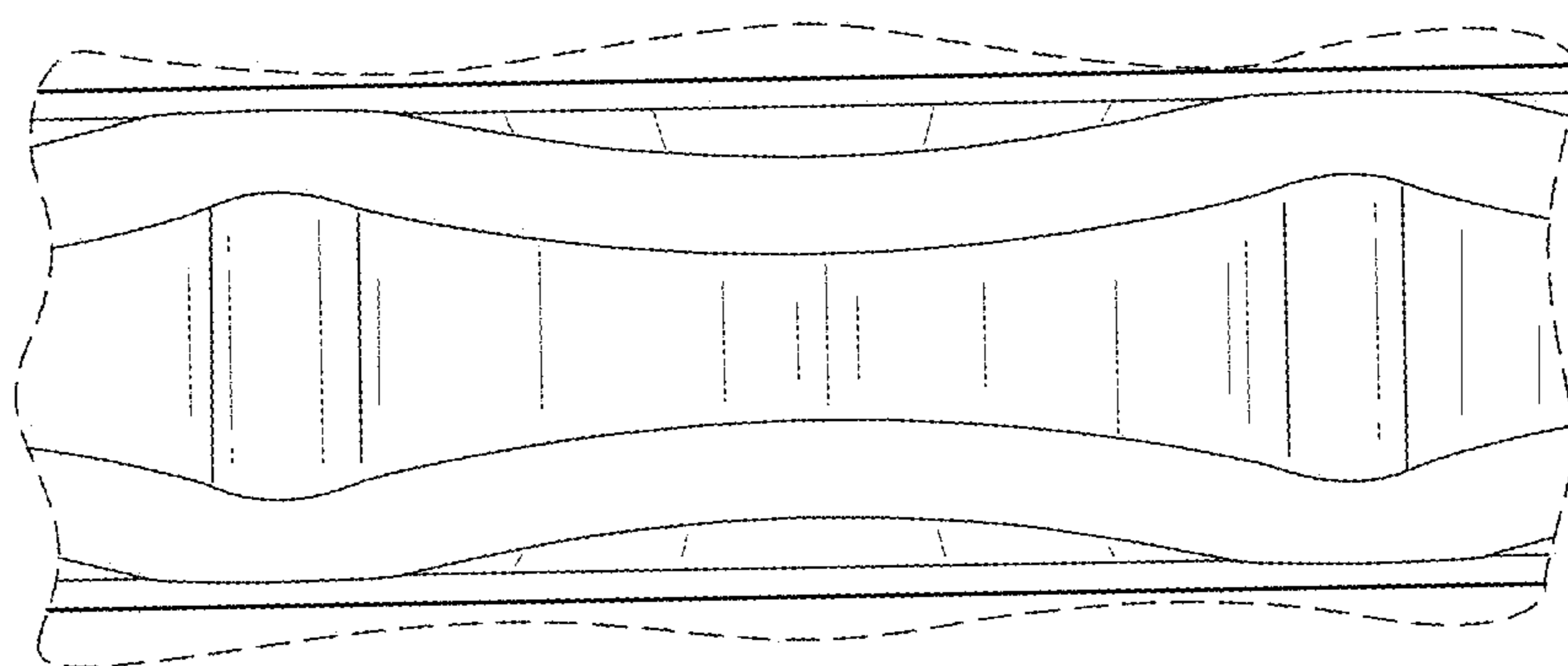


FIG. 2

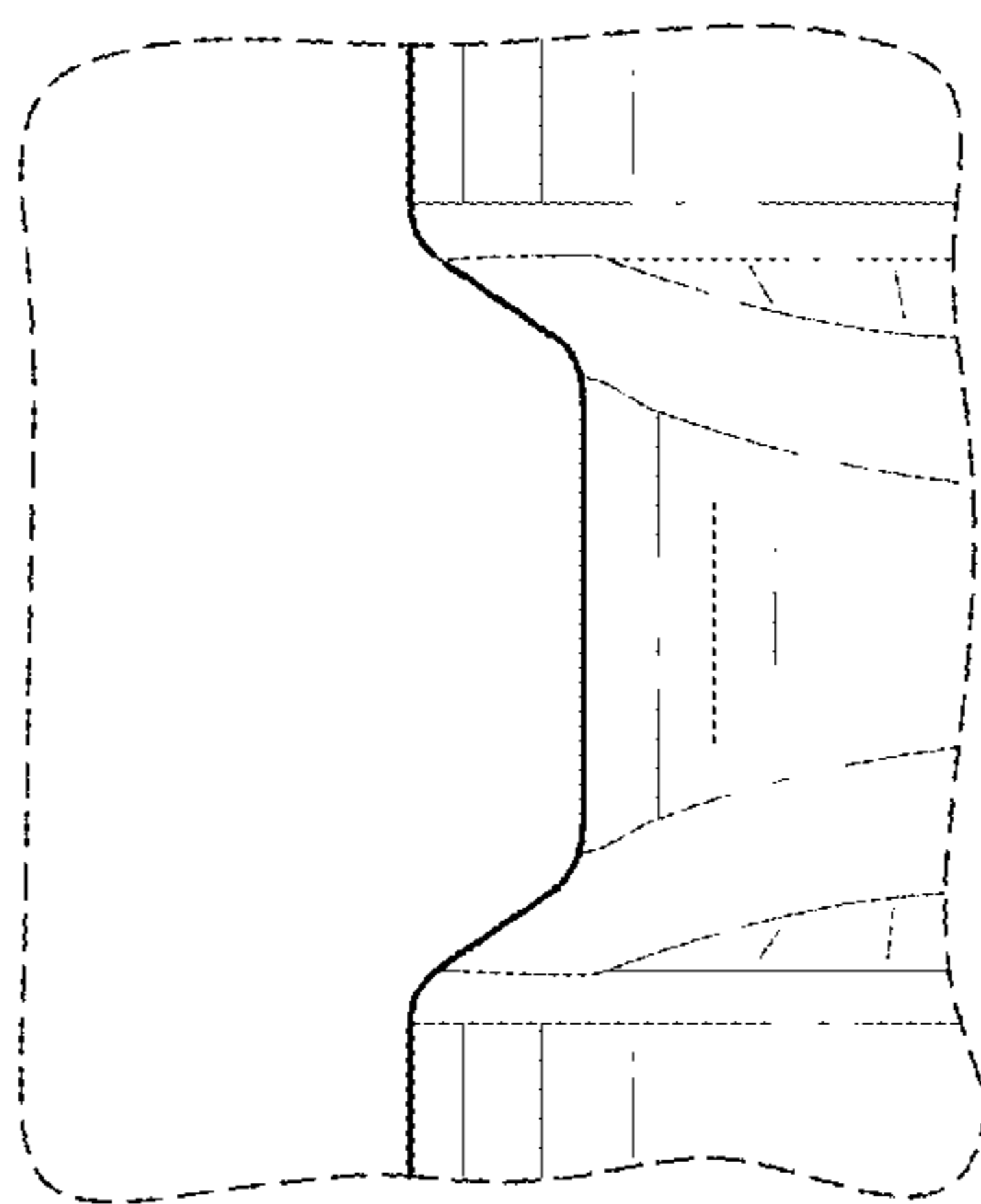


FIG. 3

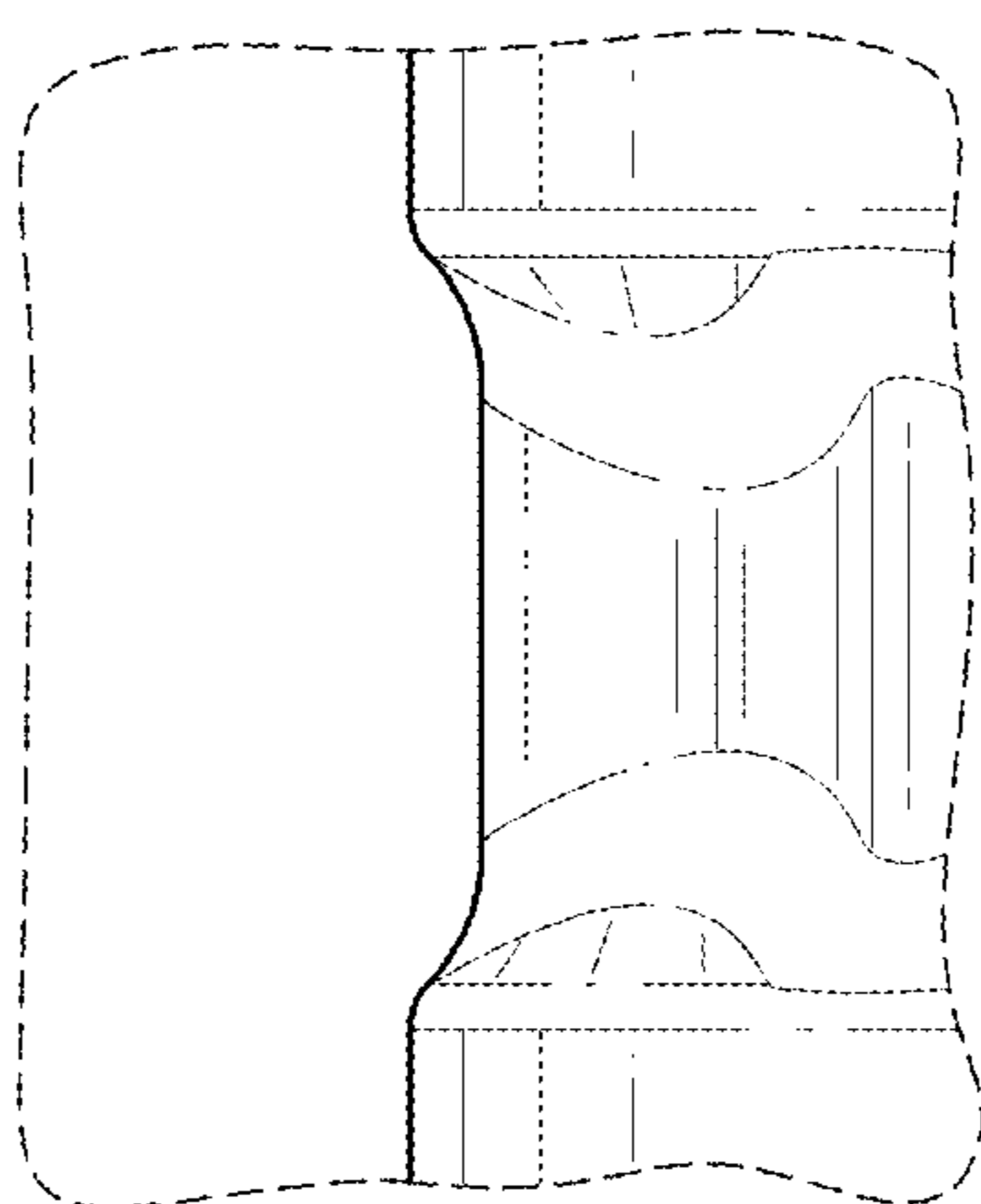


FIG. 4

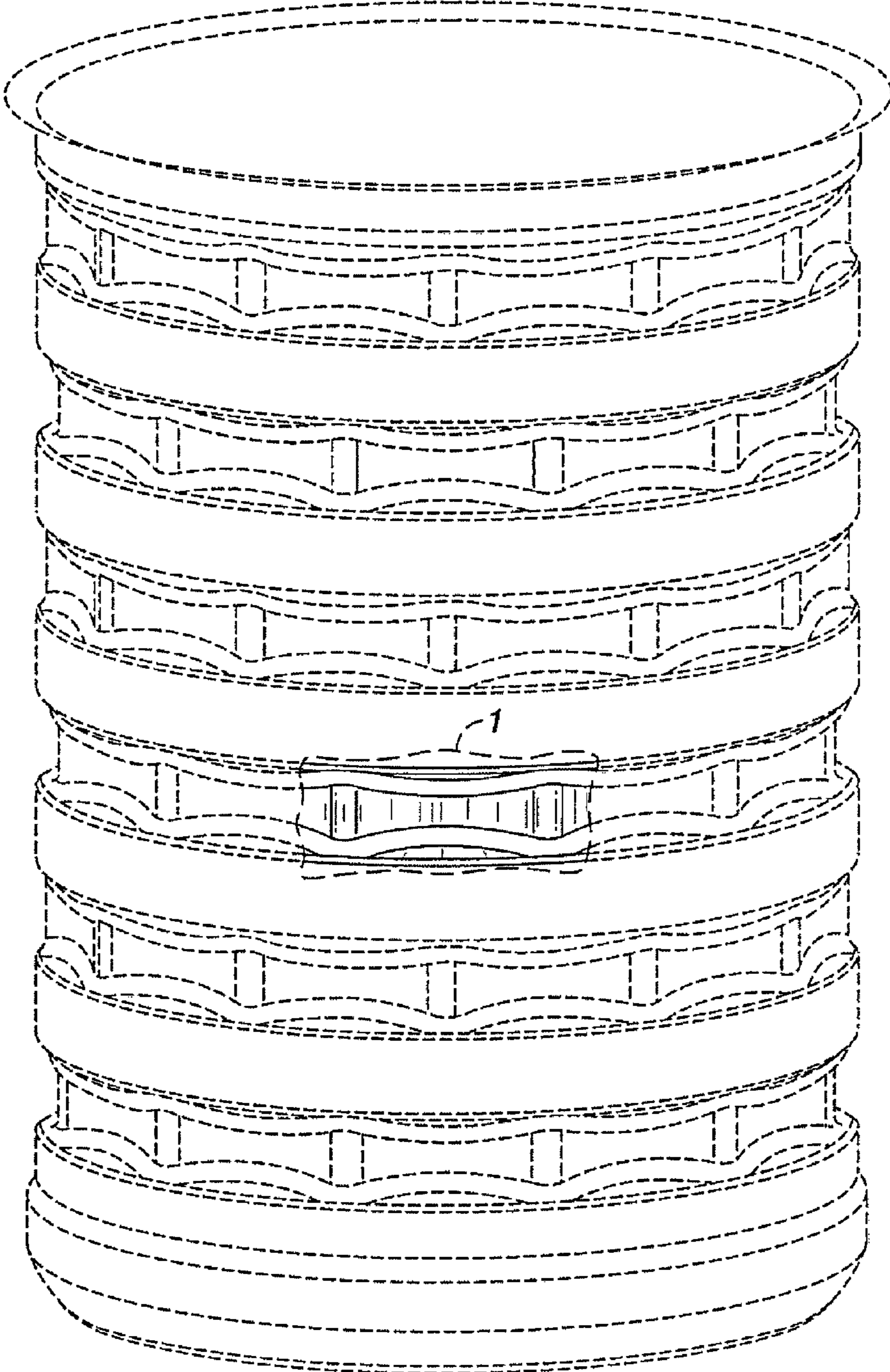


FIG. 5