



US00D703054S

(12) **United States Design Patent**  
**DeMarco**

(10) **Patent No.:** **US D703,054 S**  
(45) **Date of Patent:** **\*\* Apr. 22, 2014**

- (54) **COSMETIC CONTAINER**
- (71) Applicant: **Mary Kay Inc.**, Dallas, TX (US)
- (72) Inventor: **Jenny DeMarco**, Frisco, TX (US)
- (73) Assignee: **Mary Kay Inc.**, Dallas, TX (US)
- (\*\*) Term: **14 Years**
- (21) Appl. No.: **29/458,320**
- (22) Filed: **Jun. 18, 2013**

D263,115 S *	2/1982	Ohmori .....	D9/504
D276,891 S	12/1984	Fortuna .....	D9/520
D282,529 S *	2/1986	Pereira et al. ....	D9/529
D308,635 S	6/1990	DiNuccio .....	D9/529
D325,523 S	4/1992	Restrepo .....	D9/529
D345,918 S	4/1994	Chevassus .....	D9/529
D350,899 S *	9/1994	Vasas .....	D9/503
D375,895 S *	11/1996	Miller .....	D9/691
D399,658 S	10/1998	Nosella .....	D4/116
D405,700 S *	2/1999	Chae .....	D9/573
D415,319 S	10/1999	Bakic .....	D28/76
D419,075 S	1/2000	Gavin .....	D9/529
D422,902 S *	4/2000	Kikuchi .....	D9/689

(Continued)

**Related U.S. Application Data**

- (62) Division of application No. 29/398,627, filed on Aug. 2, 2011, now Pat. No. Des. 685,638.
- (51) **LOC (10) Cl.** ..... **09-01**
- (52) **U.S. Cl.**  
USPC ..... **D9/504**; D9/454
- (58) **Field of Classification Search**  
USPC ..... D9/435, 500-505, 516, 529, 539, 542,  
D9/544-545, 549, 554, 558, 574-575, 682,  
D9/686, 688-692, 454, 530, 537-538;  
D7/509-511, 523; 215/379, 381-384;  
220/660, 669-673, 675; D28/76-77,  
D28/85, 88-89, 90; D4/116  
See application file for complete search history.

(56) **References Cited**

**U.S. PATENT DOCUMENTS**

D114,442 S *	4/1939	Dexter .....	D28/88
2,344,060 A *	3/1944	Ray .....	401/50
D139,381 S *	11/1944	Harris .....	D9/504
2,749,566 A *	6/1956	Thomas .....	401/213
D189,374 S *	11/1960	Harris .....	D9/504
2,997,731 A *	8/1961	Schultz .....	401/213
D200,498 S *	3/1965	Guerlain .....	D9/556
4,201,294 A *	5/1980	Roccaforte .....	206/780

**FOREIGN PATENT DOCUMENTS**

JP	D1113375	7/2001
TW	D104372	5/2005
TW	D135286	6/2010

**OTHER PUBLICATIONS**

Search Report issued in Taiwanese Patent Application No. 100306495, dated Aug. 22, 2012.

*Primary Examiner* — Ian Simmons  
*Assistant Examiner* — Dana L Meyrow  
(74) *Attorney, Agent, or Firm* — Fulbright & Jaworski LLP

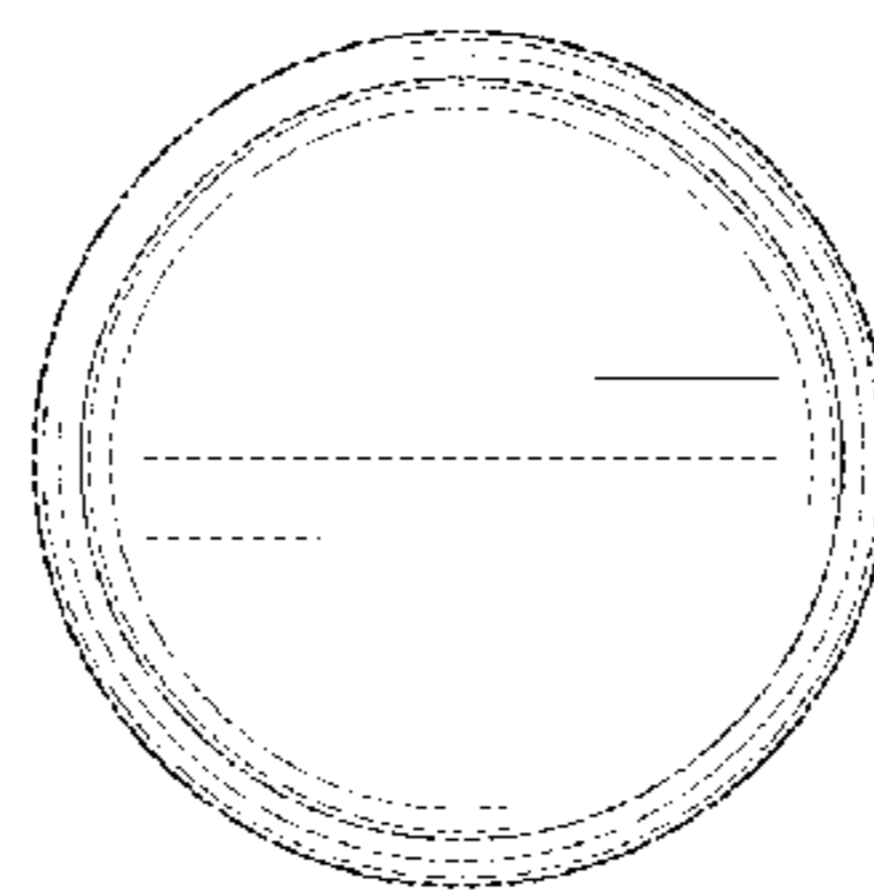
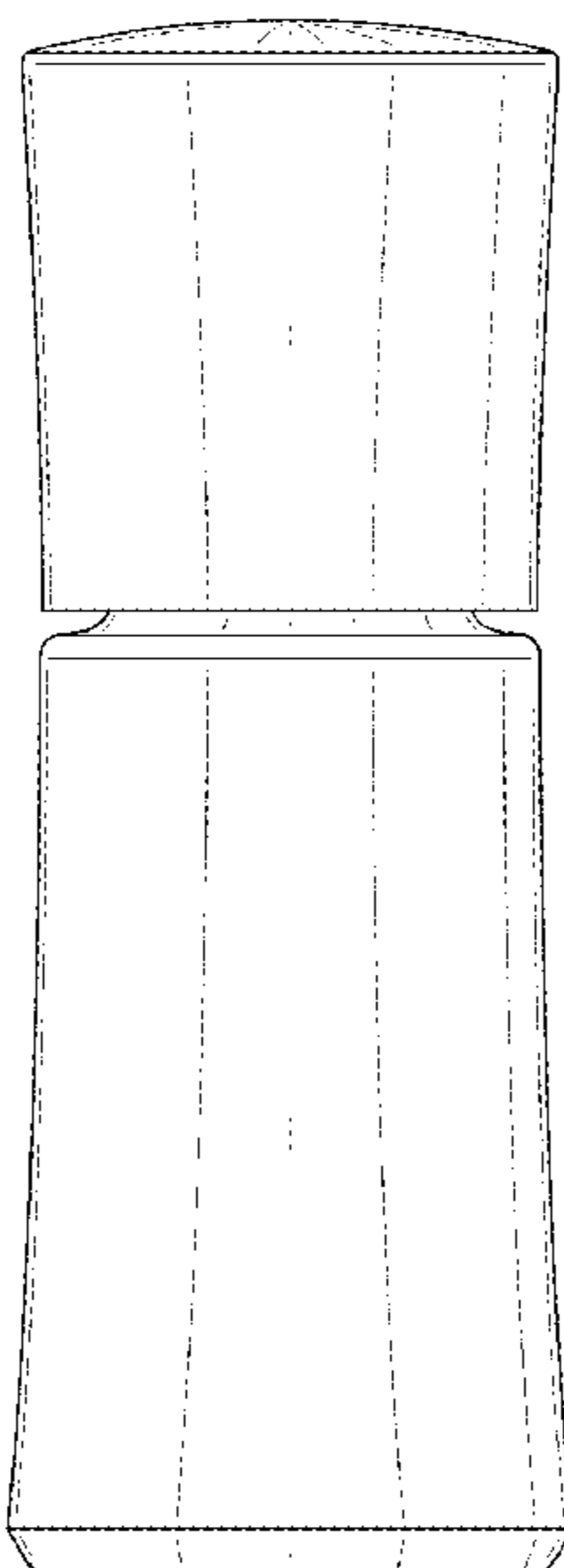
(57) **CLAIM**

The ornamental design for a cosmetic container, as shown and described.

**DESCRIPTION**

FIG. 1 is a top perspective view of a cosmetic container showing my new design;  
FIG. 2 is a side elevation view thereof, all sides being identical;  
FIG. 3 is a top plan view thereof; and,  
FIG. 4 is a bottom plan view thereof.

**1 Claim, 3 Drawing Sheets**



(56)

**References Cited**

U.S. PATENT DOCUMENTS

D430,035 S	8/2000	Heeter et al. ....	D9/529	D569,254 S	5/2008	Moretti .....	D9/529
D474,341 S	5/2003	Cantone et al. ....	D4/116	D570,051 S	5/2008	Bakic .....	D28/88
D486,392 S	2/2004	Chuang .....	D9/503	D571,219 S	6/2008	McCoy .....	D9/546
D486,393 S	2/2004	Chuang .....	D9/503	D571,663 S	6/2008	Bakic .....	D9/500
D487,016 S *	2/2004	DeBiasse et al. ....	D9/445	D572,592 S	7/2008	Chang .....	D9/504
D506,672 S	6/2005	Hina .....	D9/436	D574,248 S	8/2008	Baraky et al. ....	D9/529
D521,383 S	5/2006	Priestman .....	D9/529	D584,639 S	1/2009	Antretter .....	D9/687
D521,384 S	5/2006	Priestman .....	D9/529	D605,049 S	12/2009	Tanii et al. ....	D9/529
D526,205 S *	8/2006	Priestman .....	D9/529	D613,174 S *	4/2010	Pecora .....	D9/529
D527,642 S	9/2006	Priestman .....	D9/529	D615,400 S	5/2010	Usui et al. ....	D9/454
D528,920 S *	9/2006	Priestman .....	D9/529	D629,699 S	12/2010	Kim et al. ....	D9/574
D539,480 S *	3/2007	Kostow .....	D28/76	D639,166 S *	6/2011	Carreno .....	D9/504
D541,659 S	5/2007	Fischer .....	D9/529	D640,136 S *	6/2011	Liba .....	D9/529
D554,505 S	11/2007	Gilbert .....	D9/503	D653,112 S *	1/2012	White et al. ....	D9/529
D565,797 S	4/2008	Maddy .....	D28/88	D666,912 S *	9/2012	Kawai .....	D9/504
D569,251 S *	5/2008	Varlet .....	D9/500	D671,836 S *	12/2012	DeMarco .....	D9/503
				D685,638 S *	7/2013	DeMarco .....	D9/504
				D687,711 S *	8/2013	DeMarco .....	D9/504

\* cited by examiner

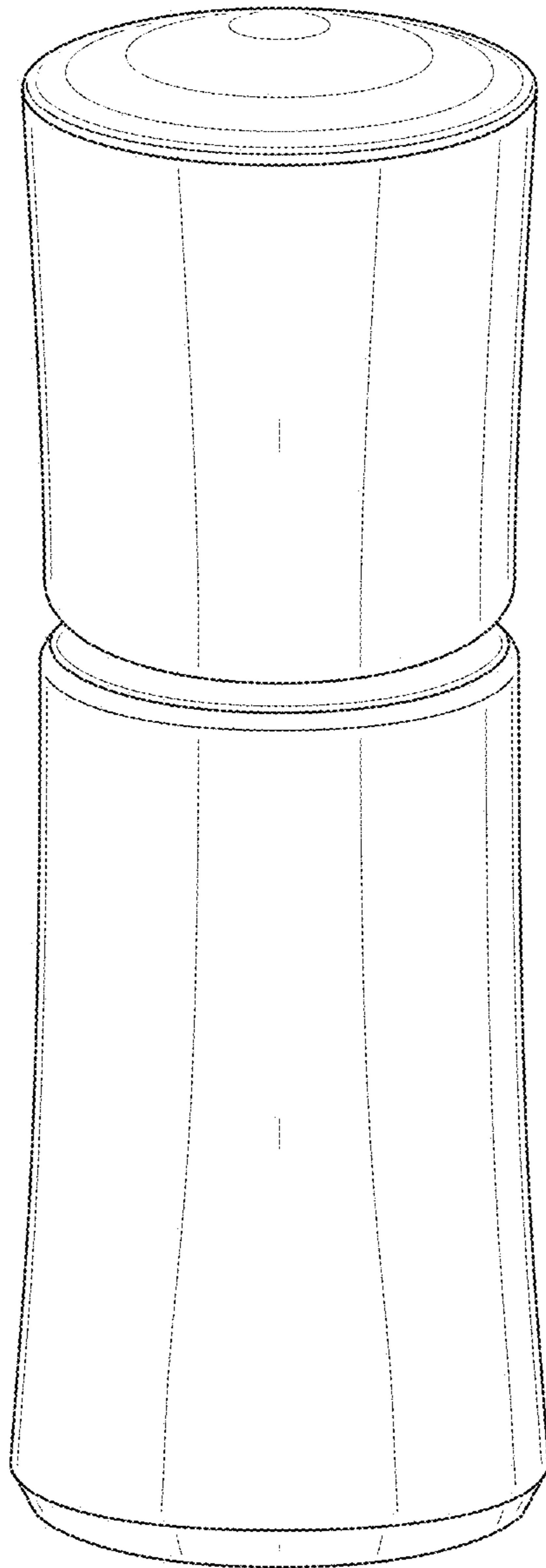


FIG. 1

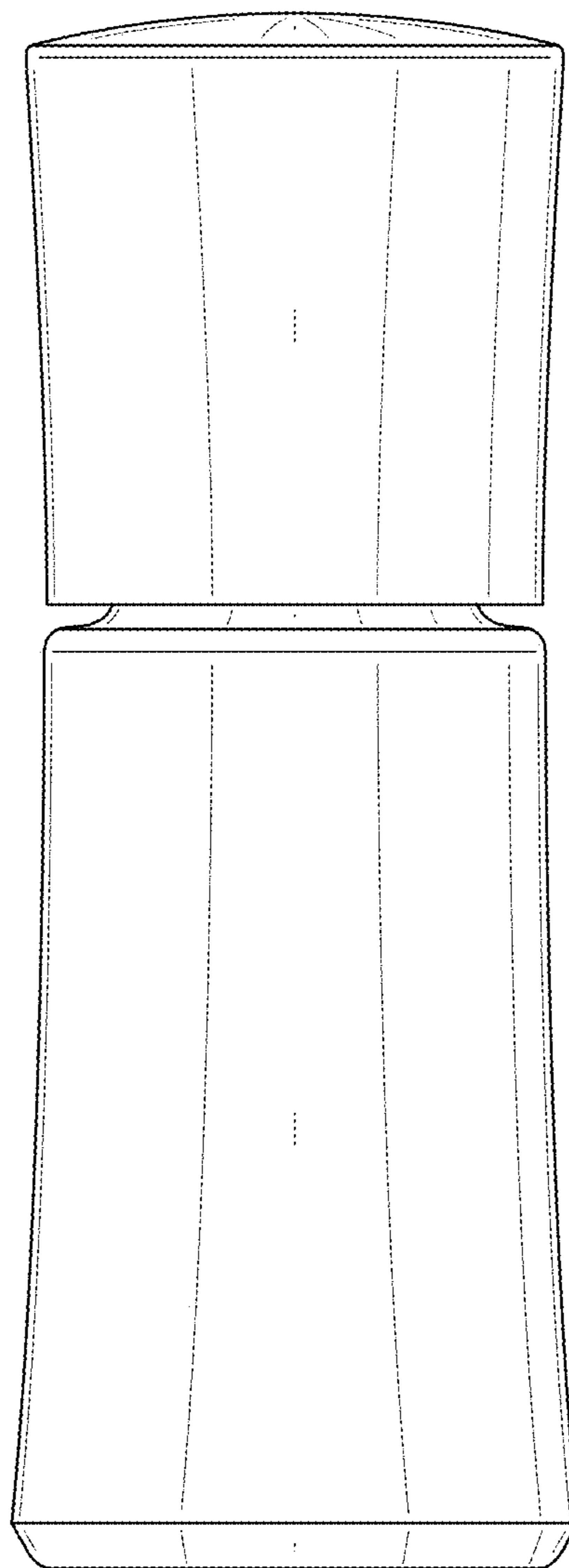


FIG. 2

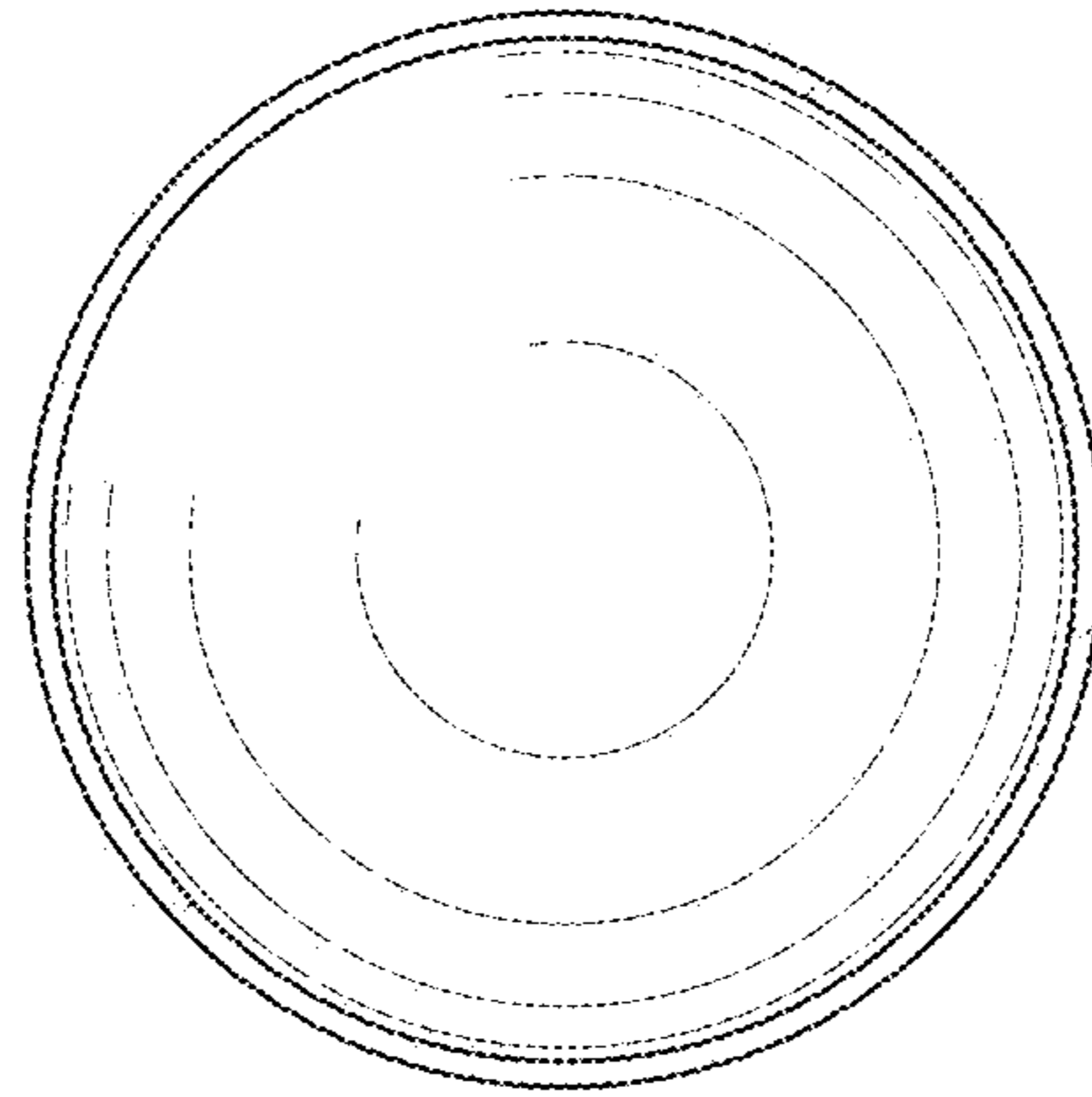


FIG. 3

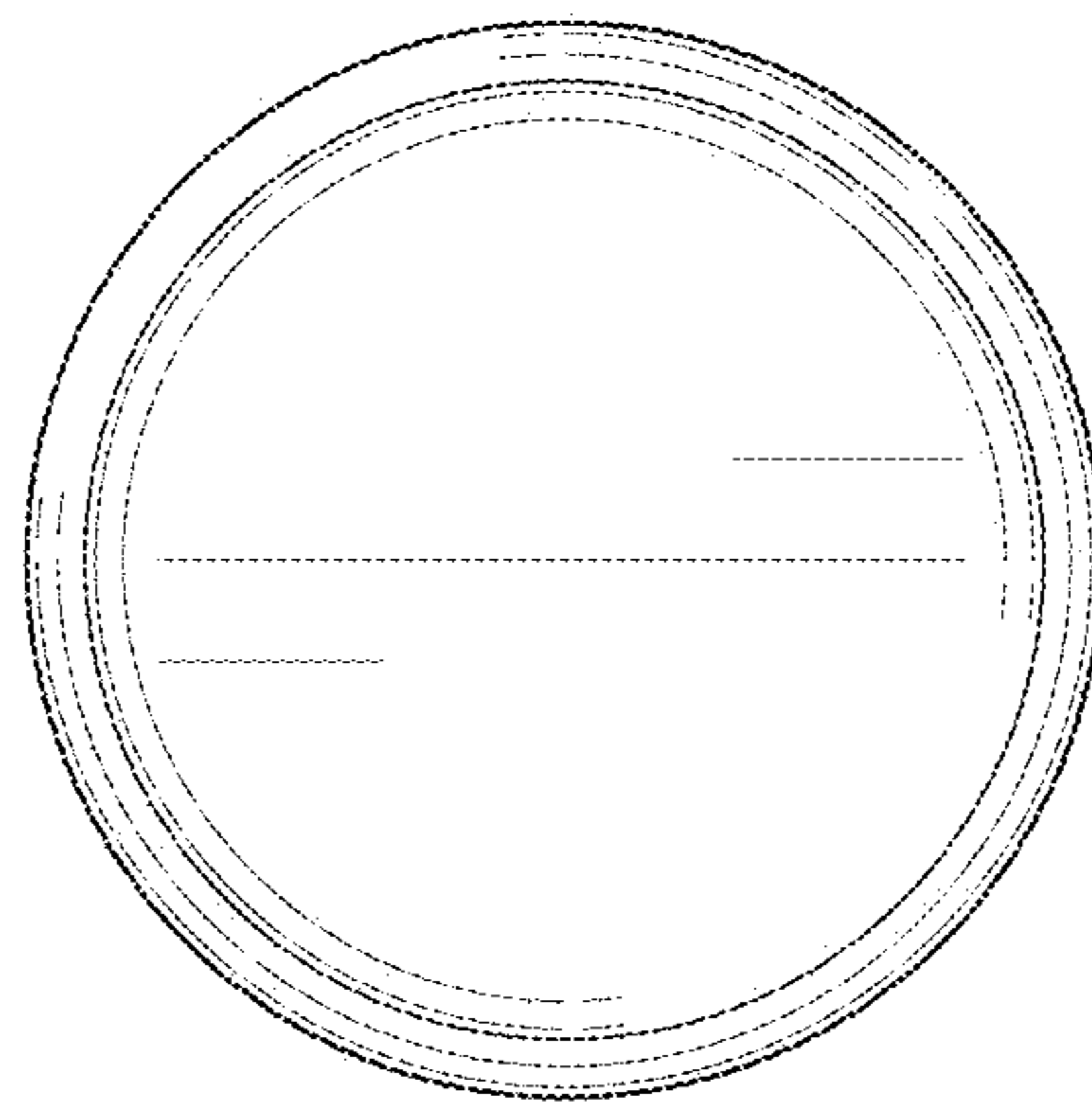


FIG. 4