



US00D703053S

(12) **United States Design Patent**
Park

(10) **Patent No.:** **US D703,053 S**
(45) **Date of Patent:** **** Apr. 22, 2014**

- (54) **COSMETIC CONTAINER**
- (71) Applicant: **Amorepacific Corporation**, Seoul (KR)
- (72) Inventor: **Kyung Mi Park**, Seoul (KR)
- (73) Assignee: **Amorepacific Corporation**, Seoul (KR)
- (**) Term: **14 Years**
- (21) Appl. No.: **29/462,185**
- (22) Filed: **Jul. 31, 2013**

- (30) **Foreign Application Priority Data**
- Feb. 1, 2013 (KR) 30-2013-0005710
- (51) **LOC (10) Cl.** **09-01**
- (52) **U.S. Cl.**
- USPC **D9/503; D9/552**
- (58) **Field of Classification Search**
- USPC D9/435, 444-445, 454, 500, 502-505,
D9/516, 529, 549, 552, 558, 567, 682,
D9/686-692, 723, 727; D7/509-511, 523,
D7/591, 597, 601-602, 608; D24/224;
D28/5, 7, 73, 76-77, 91.1
- See application file for complete search history.

- (56) **References Cited**
- U.S. PATENT DOCUMENTS
- D347,571 S * 6/1994 Wacker D9/688
- D385,793 S * 11/1997 Marsal D9/503
- D513,385 S * 1/2006 Garcia et al. D9/504

D604,163 S *	11/2009	Nelson et al.	D9/504
D627,604 S *	11/2010	Eyal	D7/510
D639,661 S *	6/2011	Llerena	D9/504
D639,663 S *	6/2011	Llerena	D9/504
D645,749 S *	9/2011	Lee	D9/504
D645,750 S *	9/2011	Lee	D9/504
D683,238 S *	5/2013	You	D9/688
D688,138 S *	8/2013	Kim	D9/690
D692,773 S *	11/2013	Kim	D9/690

* cited by examiner

Primary Examiner — Ian Simmons
Assistant Examiner — Dana L Meyrow
 (74) *Attorney, Agent, or Firm* — Ohlandt Greeley Ruggiero and Perle L.L.P.

(57) **CLAIM**
 The ornamental design for a cosmetic container, as shown and described.

DESCRIPTION

FIG. 1 is a top, perspective view of the cosmetic container of the present disclosure;
 FIG. 2 is a front elevation view of the cosmetic container shown in FIG. 1;
 FIG. 3 is a rear elevation view of the cosmetic container shown in FIG. 1;
 FIG. 4 is a left side elevation view of the cosmetic container shown in FIG. 1;
 FIG. 5 is a right side elevation view of the cosmetic container shown in FIG. 1; and,
 FIG. 6 is a top plan view of the cosmetic container shown in FIG. 1.

1 Claim, 6 Drawing Sheets

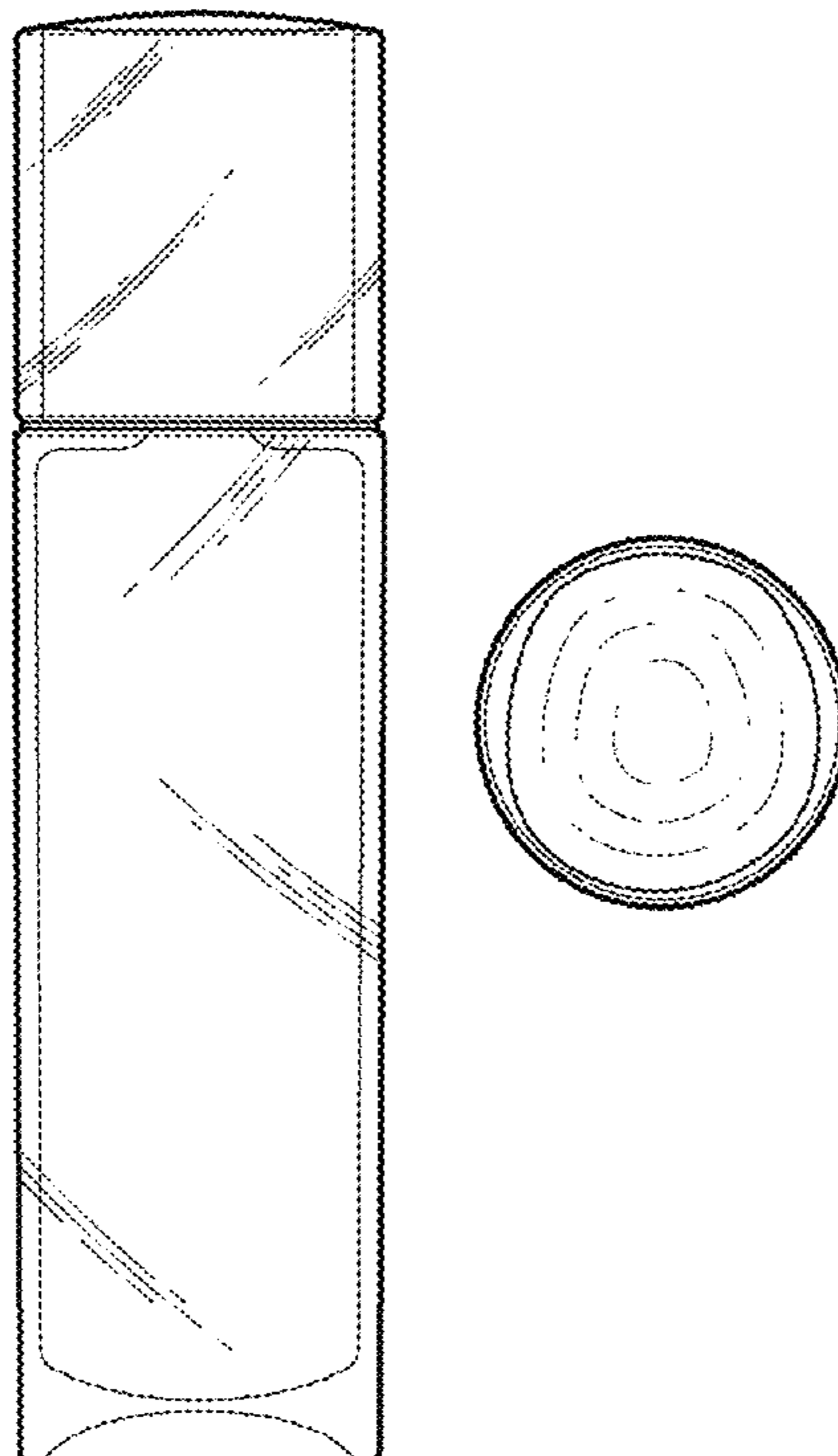


Fig. 1

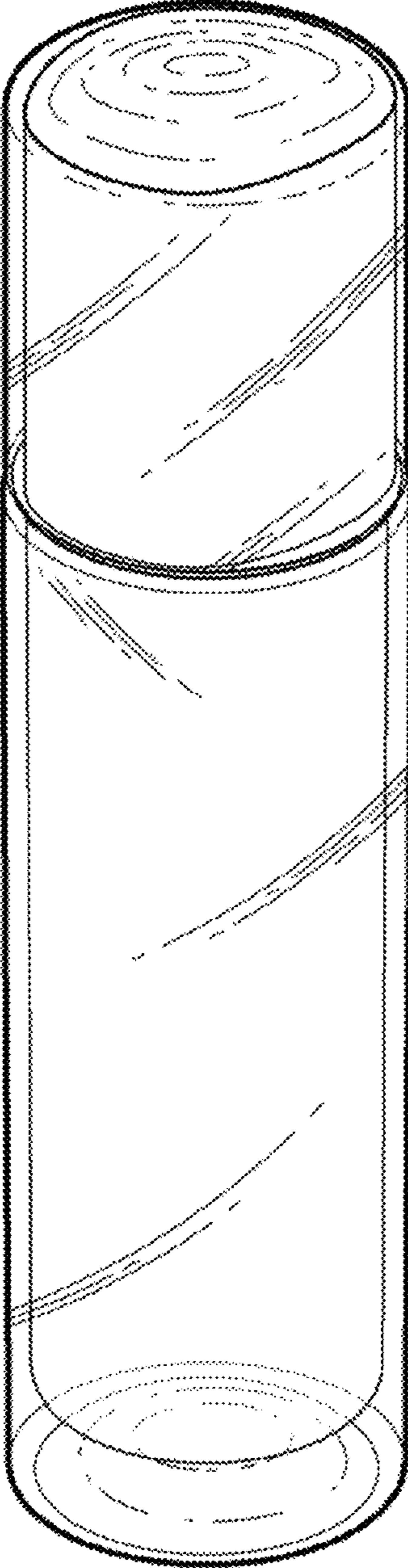


Fig. 2

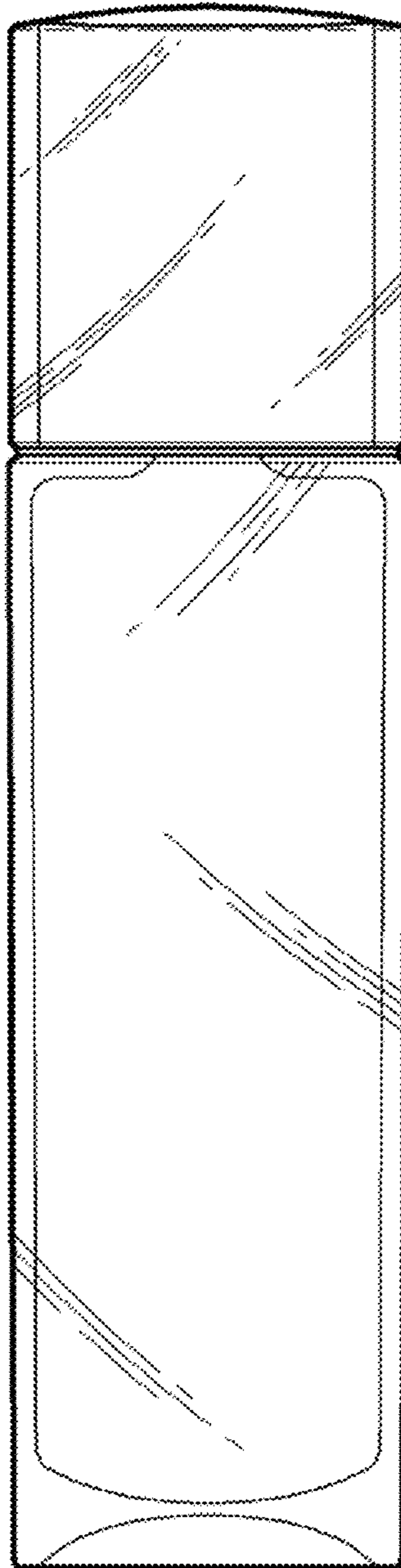


Fig. 3

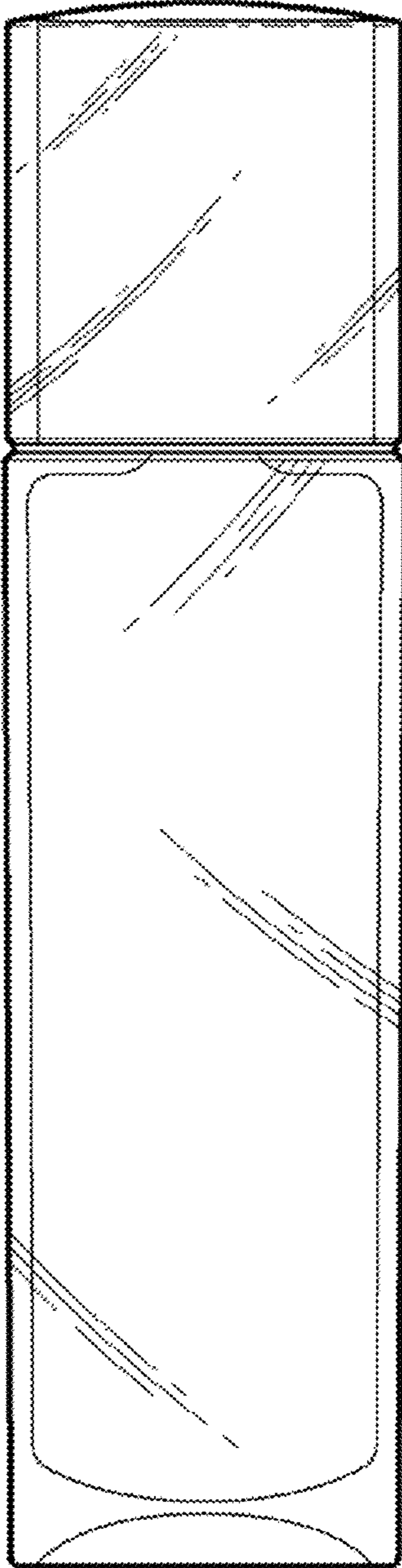


Fig. 4

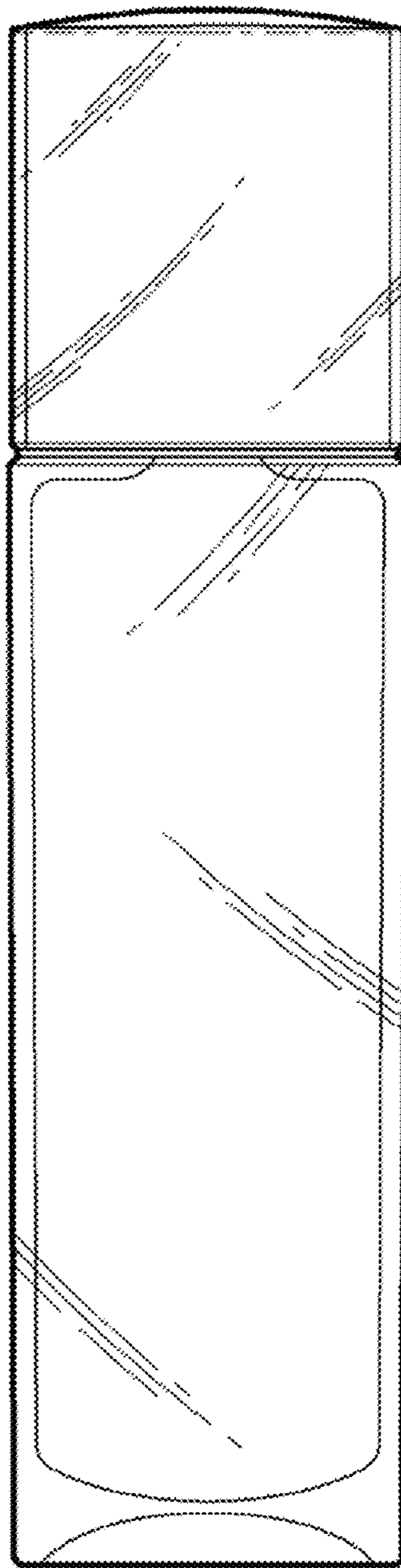


Fig. 5

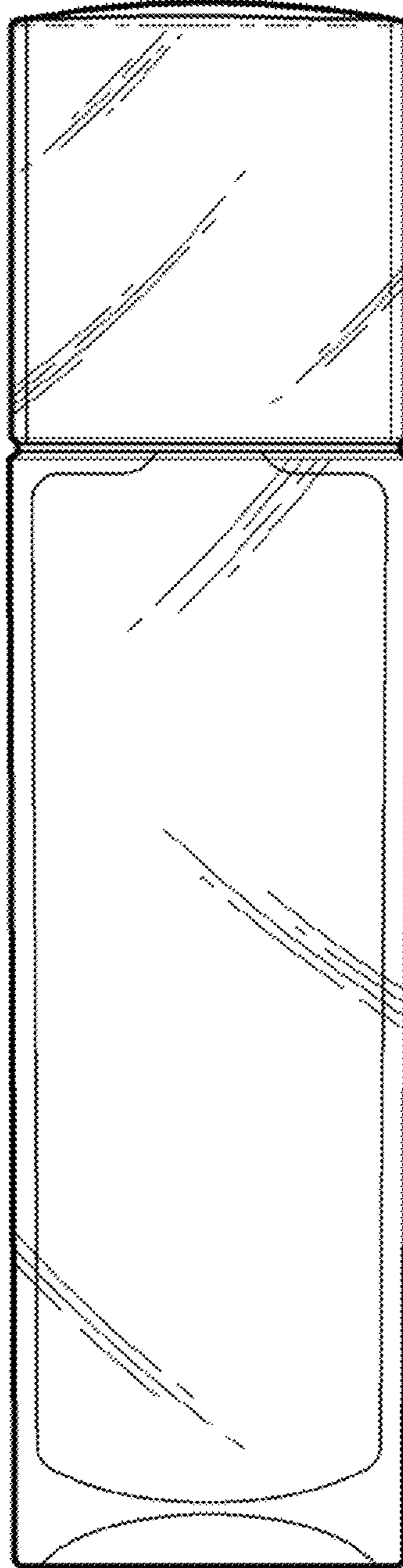


Fig. 6

