



US00D703049S

(12) **United States Design Patent**  
**Riley et al.**

(10) **Patent No.:** **US D703,049 S**

(45) **Date of Patent:** **\*\* Apr. 22, 2014**

(54) **CONTAINER**

(71) Applicants: **Lauren Ashley Riley**, Cincinnati, OH (US); **Brett Taylor Read**, Cincinnati, OH (US); **Douglas Michael McGahan**, Cincinnati, OH (US); **Barry Robert Prather**, Cincinnati, OH (US)

(72) Inventors: **Lauren Ashley Riley**, Cincinnati, OH (US); **Brett Taylor Read**, Cincinnati, OH (US); **Douglas Michael McGahan**, Cincinnati, OH (US); **Barry Robert Prather**, Cincinnati, OH (US)

(73) Assignee: **The Procter & Gamble Company**, Cincinnati, OH (US)

(\*\*) Term: **14 Years**

(21) Appl. No.: **29/440,282**

(22) Filed: **Dec. 20, 2012**

(51) **LOC (10) Cl.** ..... **09-01**

(52) **U.S. Cl.**  
USPC ..... **D9/500**; D9/539; D9/558

(58) **Field of Classification Search**  
USPC ..... D9/500, 502–505, 516, 537–540, 545, D9/549, 558, 682, 686, 688–691; 215/379, 215/381–384; 220/660, 669–673, 675  
See application file for complete search history.

(56) **References Cited**

**U.S. PATENT DOCUMENTS**

2,076,132 A \* 4/1937 Le Rose ..... 426/115  
D476,894 S \* 7/2003 Masotta et al. .... D9/503

D510,270 S \* 10/2005 Khalifa ..... D9/503  
D535,563 S \* 1/2007 Martin ..... D9/500  
D576,044 S \* 9/2008 Lamb et al. .... D9/504  
D580,765 S 11/2008 Amann  
D595,135 S \* 6/2009 Goetz ..... D9/500  
D608,642 S \* 1/2010 Black ..... D9/500  
D615,403 S \* 5/2010 Goetz ..... D9/500  
D620,800 S \* 8/2010 Thielman et al. .... D9/516  
D655,610 S \* 3/2012 Rice et al. .... D9/529  
D664,439 S 7/2012 Malm  
D676,327 S \* 2/2013 Rice et al. .... D9/529  
D676,751 S \* 2/2013 Coyne et al. .... D9/500

**OTHER PUBLICATIONS**

Design U.S. Appl. No. 29/440,279, filed Dec. 20, 2012, Lopez et al.  
Design U.S. Appl. No. 29/440,281, filed Dec. 20, 2012, Lopez et al.  
Design U.S. Appl. No. 29/440,283, filed Dec. 20, 2012, Riley et al.

\* cited by examiner

*Primary Examiner* — Ian Simmons

*Assistant Examiner* — Dana L Meyrow

(74) *Attorney, Agent, or Firm* — Gary J. Foose

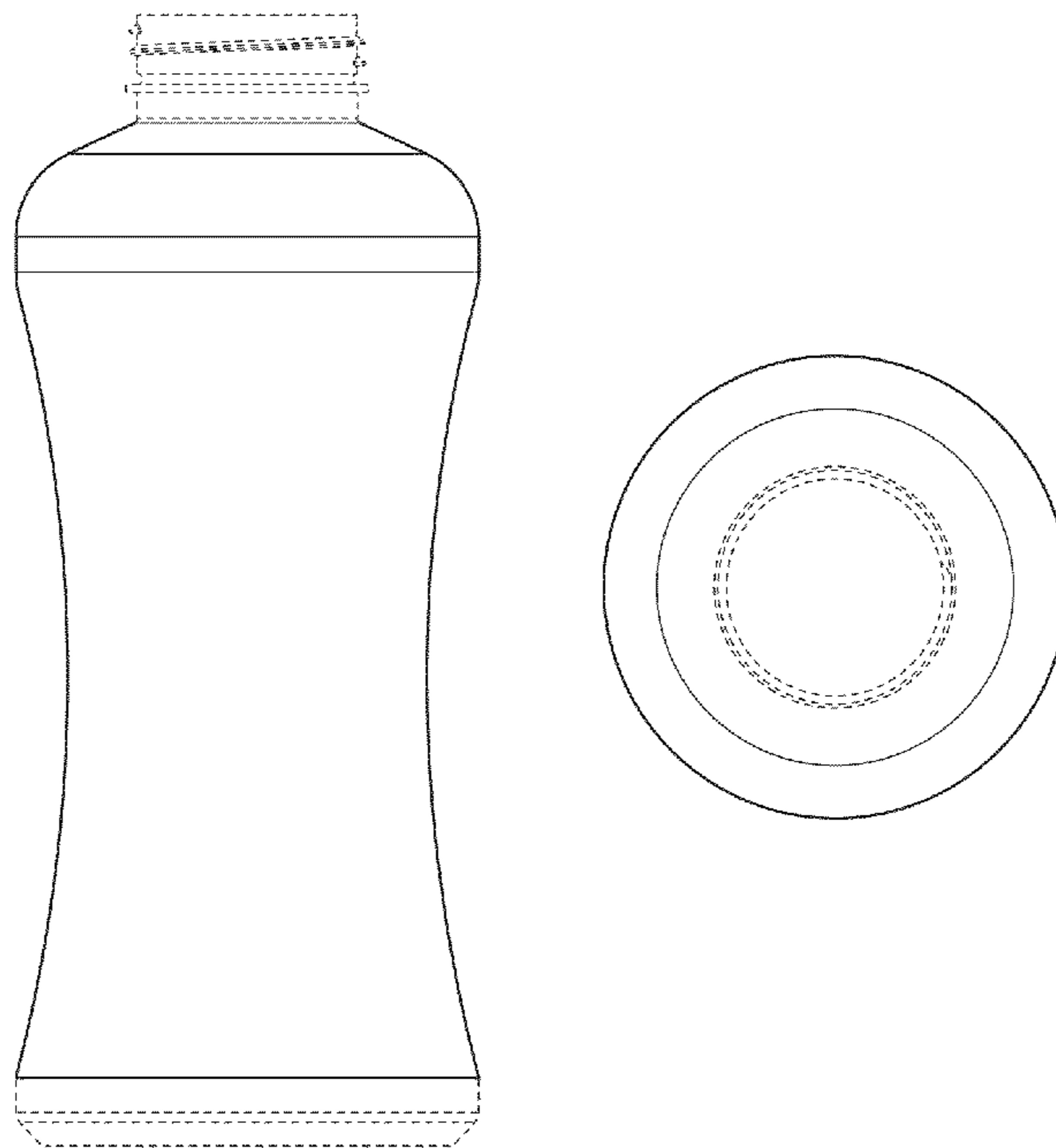
(57) **CLAIM**

The ornamental design for a container, as shown and described.

**DESCRIPTION**

FIG. 1 is a perspective view of a container showing our new design;  
FIG. 2 is a front view of the container of FIG. 1;  
FIG. 3 is a top view of the container of FIG. 1; and,  
FIG. 4 is a bottom view of the container of FIG. 1.  
The broken lines in the drawings illustrate the portions of the design that form no part of the claim.

**1 Claim, 1 Drawing Sheet**



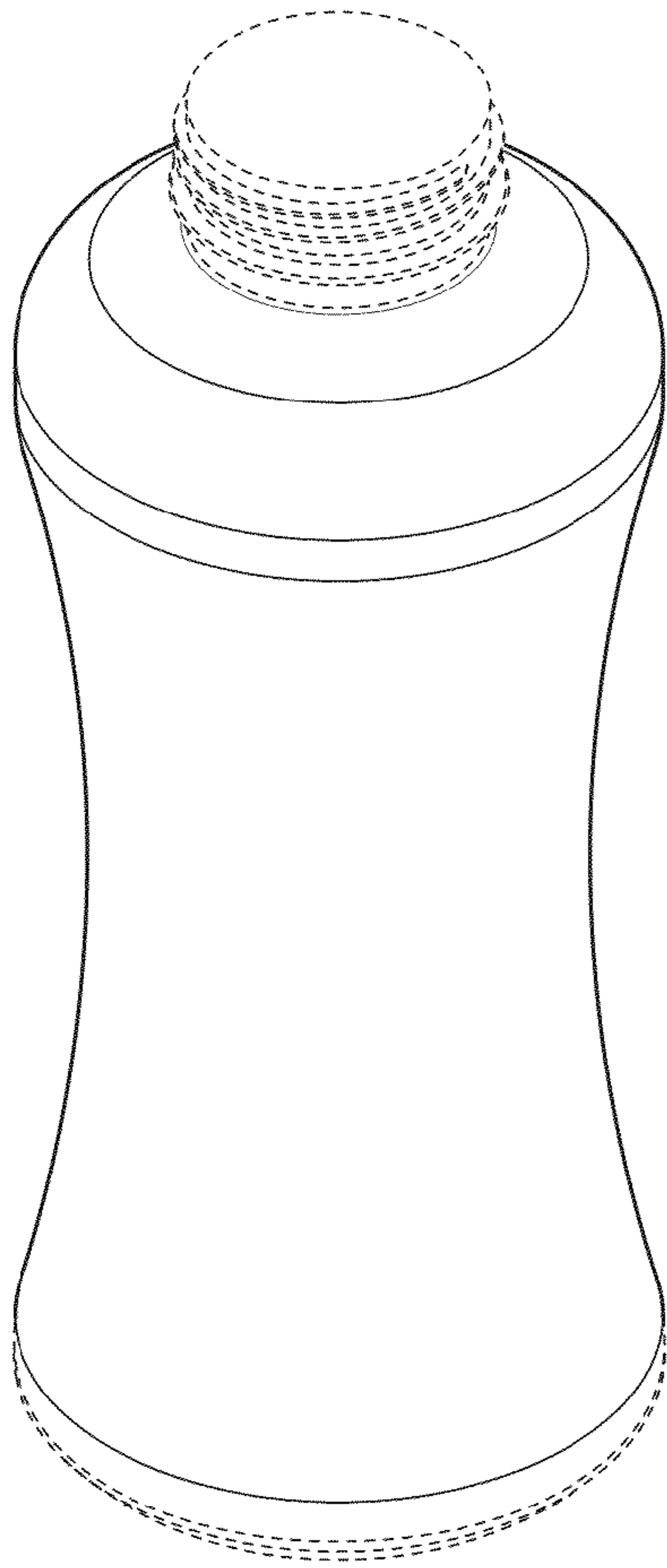


Fig. 1

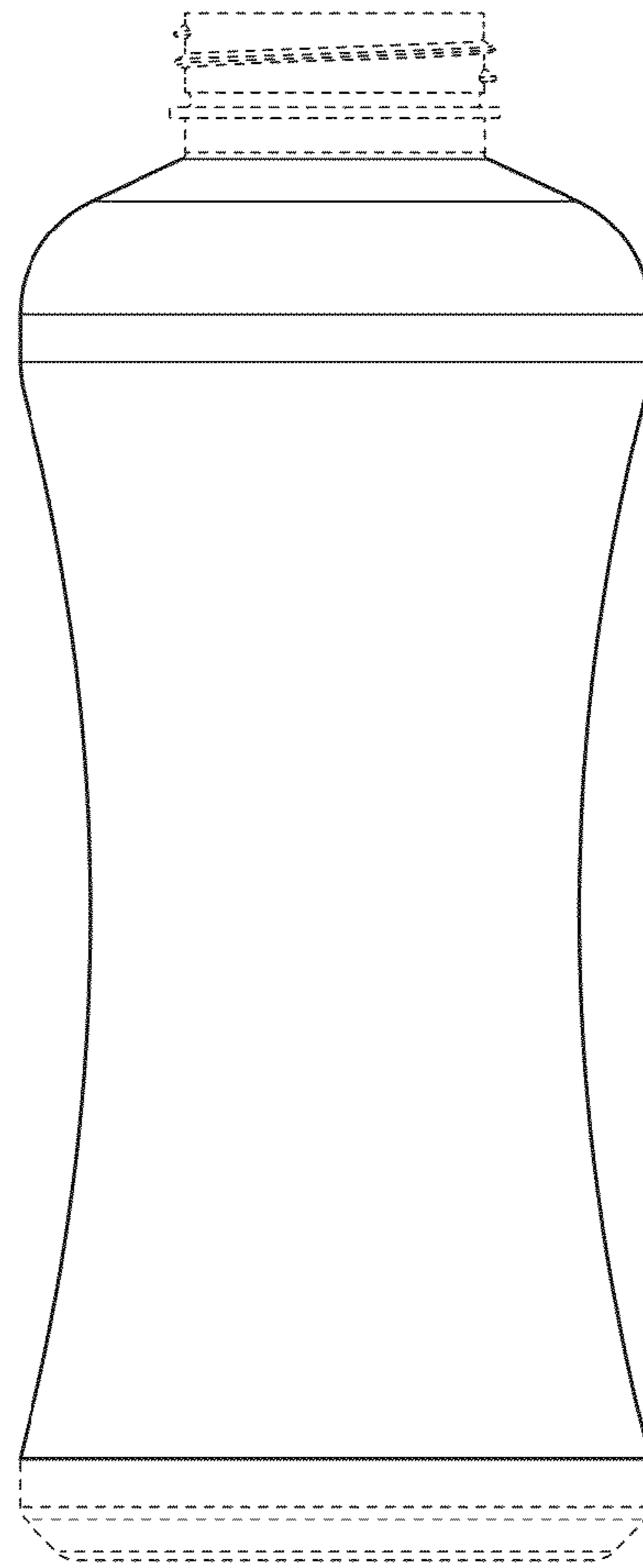


Fig. 2

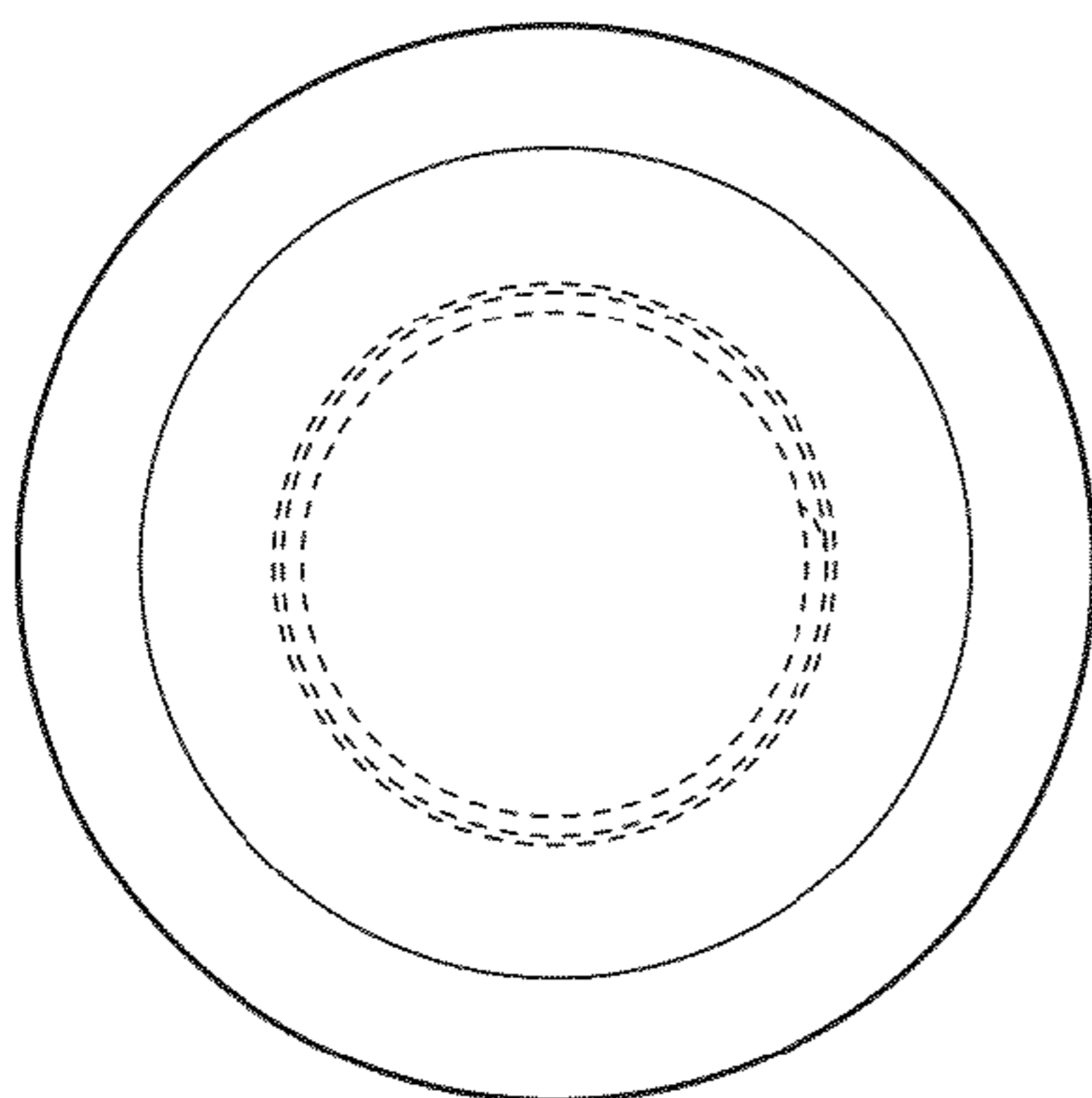


Fig. 3

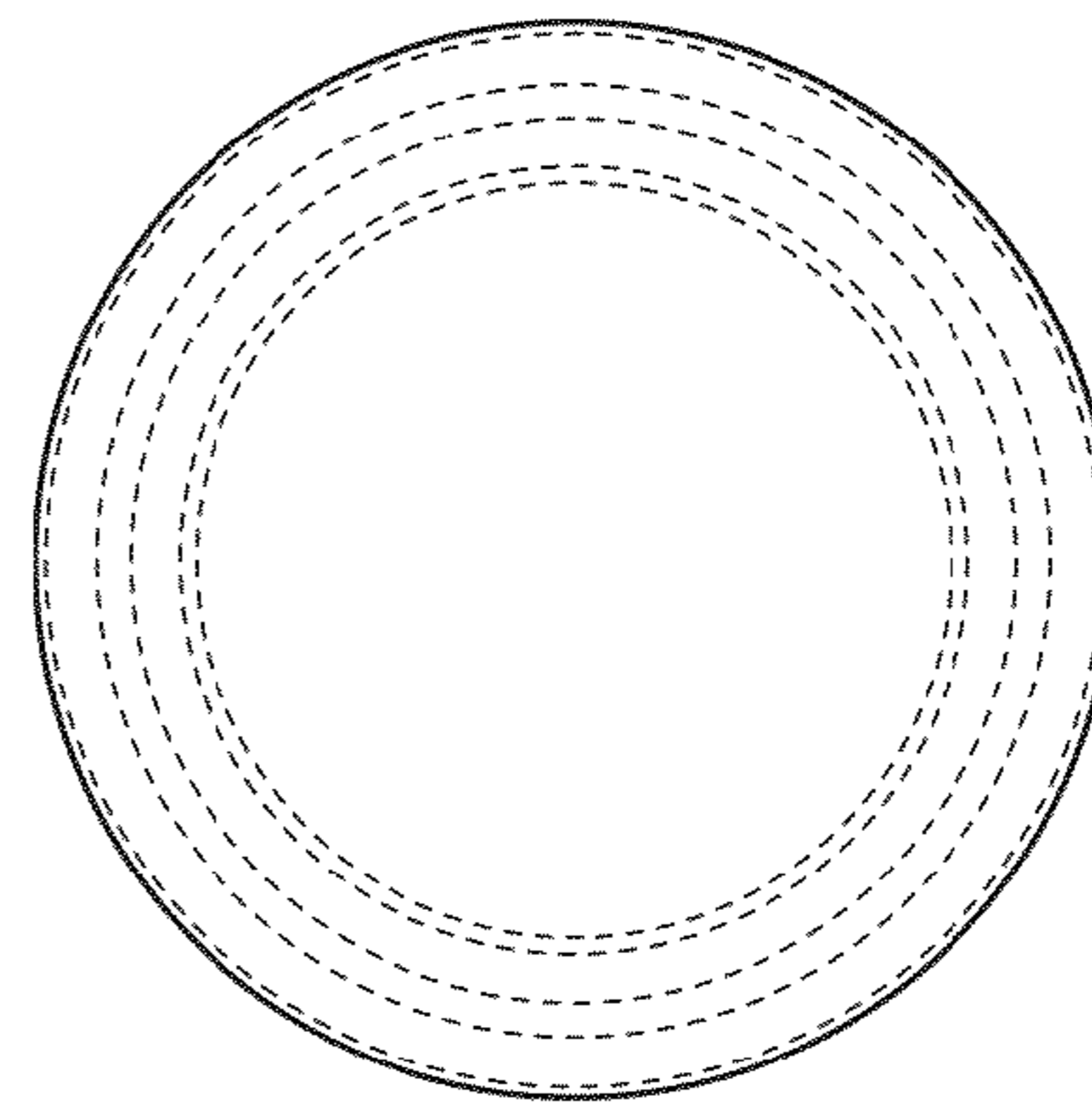


Fig. 4