



US00D703048S

(12) **United States Design Patent**
Lopez et al.

(10) **Patent No.:** **US D703,048 S**
(45) **Date of Patent:** **** Apr. 22, 2014**

(54) **CONTAINER**

(71) Applicants: **Natalie Vitalia Lopez**, Cincinnati, OH (US); **Douglas Michael McGahan**, Cincinnati, OH (US); **Lauren Elizabeth Eisenmenger**, Cincinnati, OH (US); **Sarah Louise Thielman**, Cincinnati, OH (US)

(72) Inventors: **Natalie Vitalia Lopez**, Cincinnati, OH (US); **Douglas Michael McGahan**, Cincinnati, OH (US); **Lauren Elizabeth Eisenmenger**, Cincinnati, OH (US); **Sarah Louise Thielman**, Cincinnati, OH (US)

(73) Assignee: **The Procter & Gamble Company**, Cincinnati, OH (US)

(**) Term: **14 Years**

(21) Appl. No.: **29/440,279**

(22) Filed: **Dec. 20, 2012**

(51) **LOC (10) Cl.** **09-01**

(52) **U.S. Cl.**
USPC **D9/500; D9/539; D9/558**

(58) **Field of Classification Search**
USPC D9/500, 502-505, 516, 537-540, 545, D9/549, 558, 682, 686, 688-691; 215/379, 215/381-384; 220/660, 669-673, 675
See application file for complete search history.

(56) **References Cited**

U.S. PATENT DOCUMENTS

2,076,132 A * 4/1937 Le Rose 426/115
D476,894 S * 7/2003 Masotta et al. D9/503

D510,270 S * 10/2005 Khalifa D9/503
D535,563 S * 1/2007 Martin D9/500
D576,044 S * 9/2008 Lamb et al. D9/504
D580,765 S 11/2008 Amann
D595,135 S * 6/2009 Goetz D9/500
D608,642 S * 1/2010 Black D9/500
D615,403 S * 5/2010 Goetz D9/500
D620,800 S * 8/2010 Thielman et al. D9/516
D644,105 S 8/2011 Thielman et al.
D655,610 S * 3/2012 Rice et al. D9/529
D664,439 S 7/2012 Malm
D676,327 S * 2/2013 Rice et al. D9/529
D676,751 S * 2/2013 Coyne et al. D9/500

OTHER PUBLICATIONS

Design U.S. Appl. No. 29/440,281, filed Dec. 20, 2012, Lopez et al.
Design U.S. Appl. No. 29/440,282, filed Dec. 20, 2012, Riley et al.
Design U.S. Appl. No. 29/440,283, filed Dec. 20, 2012, Riley et al.

* cited by examiner

Primary Examiner — Ian Simmons

Assistant Examiner — Dana L Meyrow

(74) *Attorney, Agent, or Firm* — Gary J. Foose

(57) **CLAIM**

The ornamental design for a container, as shown and described.

DESCRIPTION

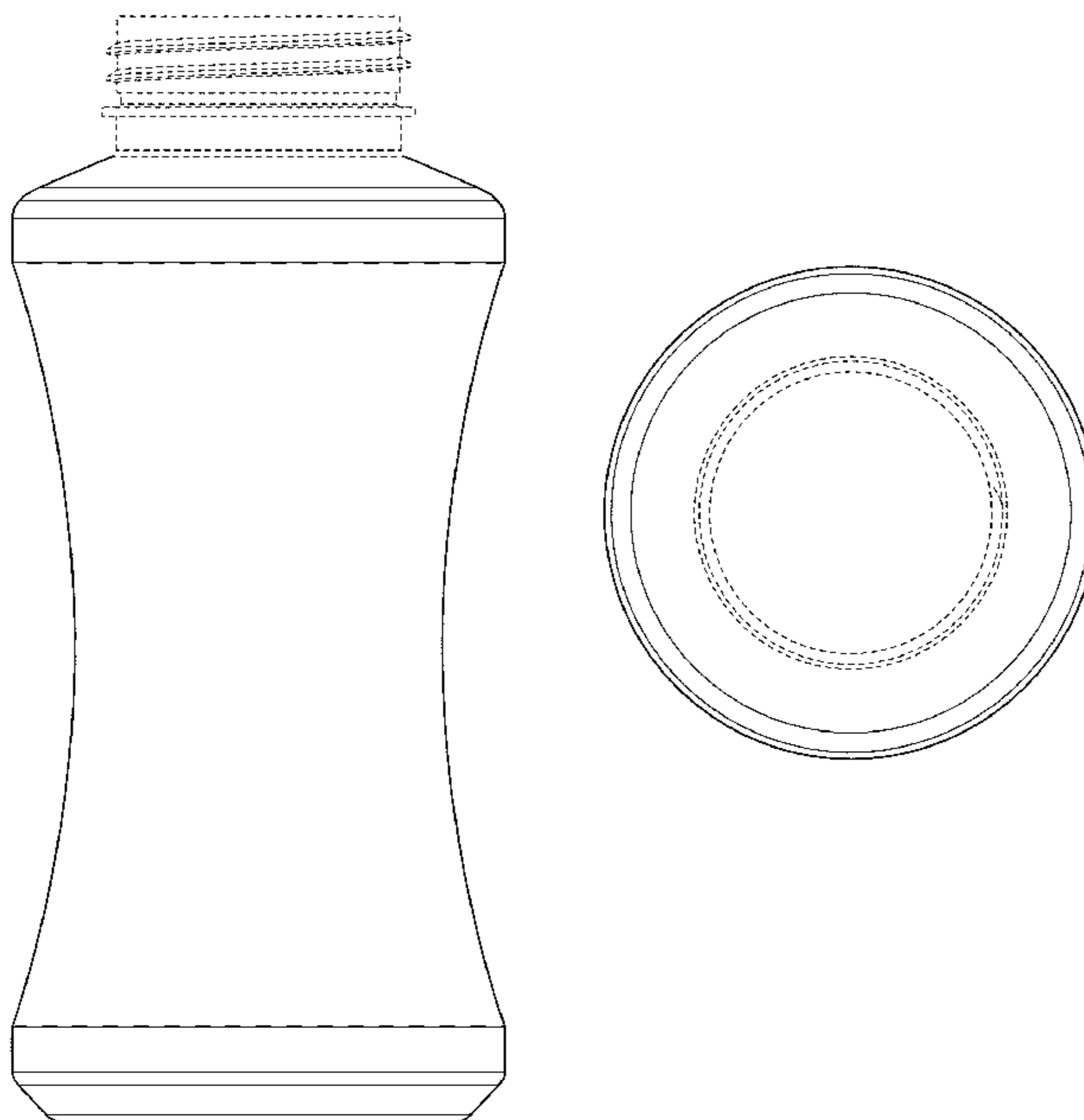
FIG. 1 is a perspective view of a container showing our new design;

FIG. 2 is front view of the container of FIG. 1;

FIG. 3 is a top view of the container of FIG. 1; and,

FIG. 4 is a bottom view of the container of FIG. 1.

1 Claim, 2 Drawing Sheets



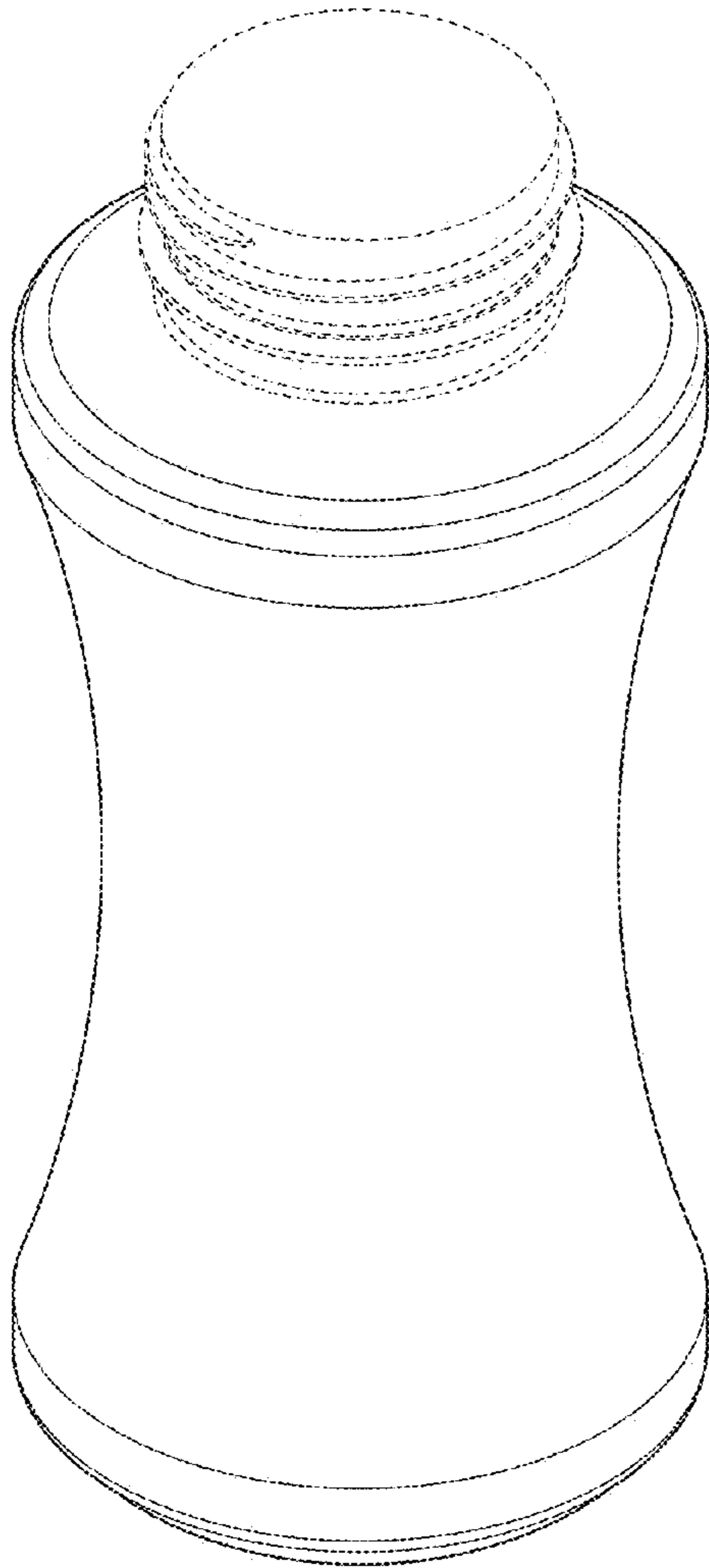


Fig. 1

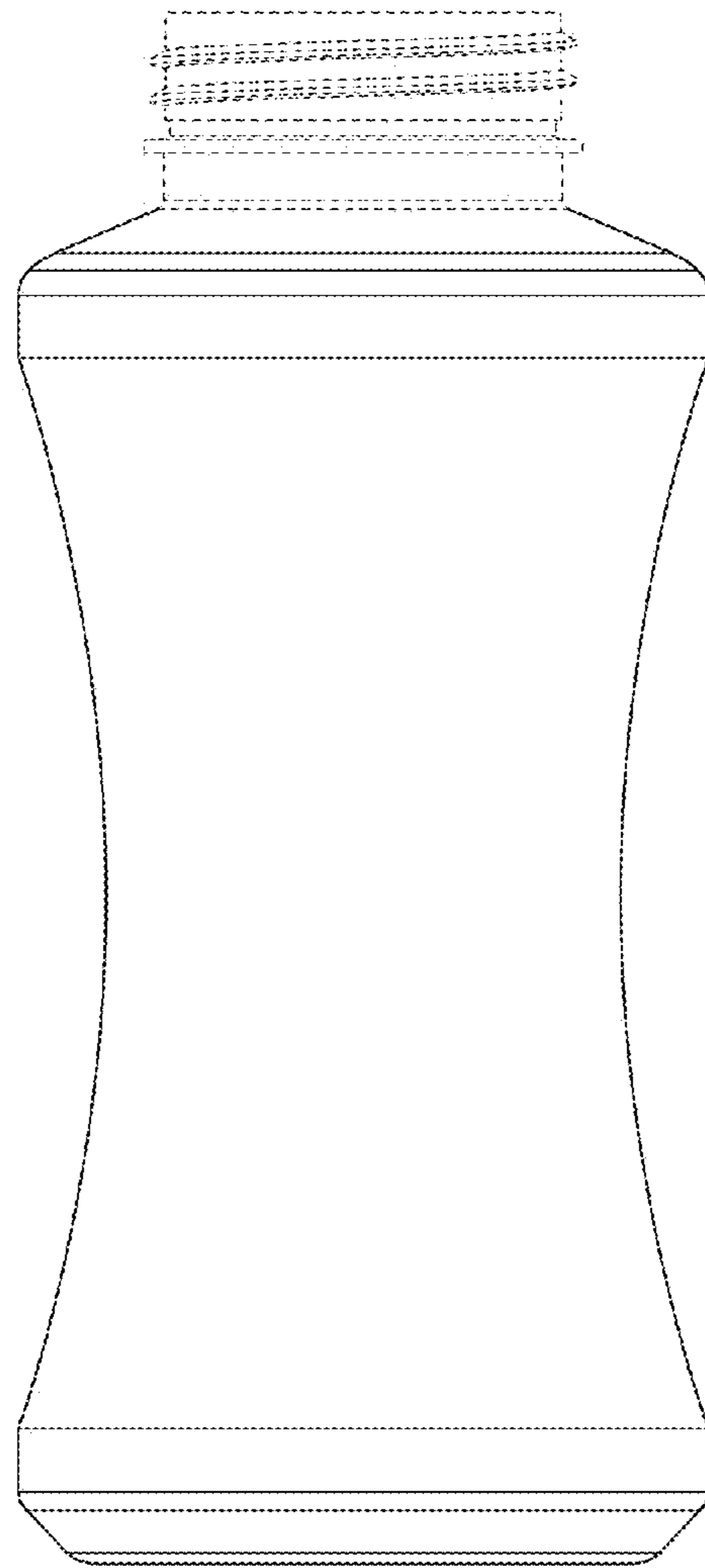


Fig. 2

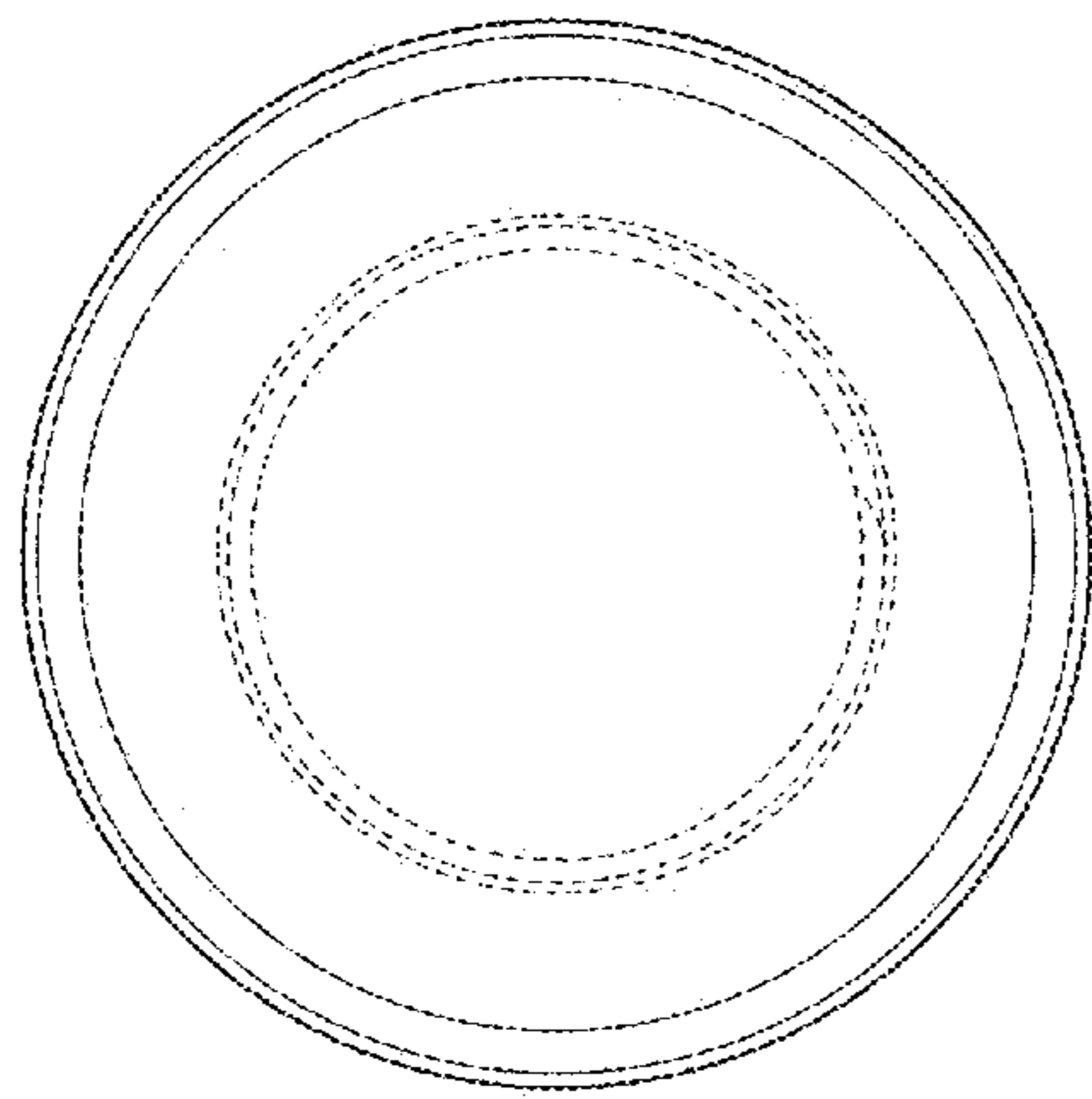


Fig. 3

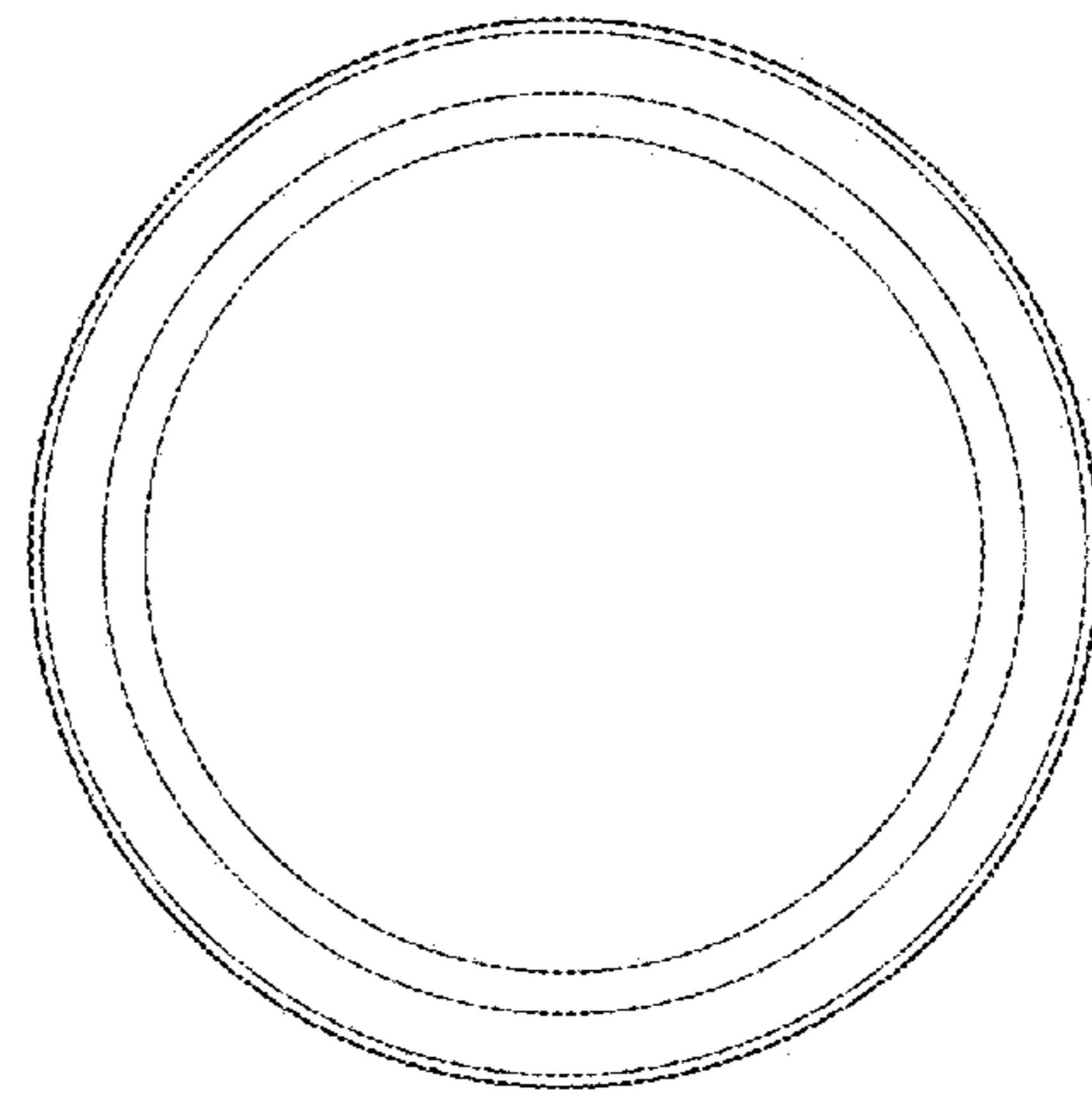


Fig. 4