

US00D703046S

(12) **United States Design Patent**
Harwood et al.

(10) **Patent No.:** **US D703,046 S**
(45) **Date of Patent:** **** Apr. 22, 2014**

- (54) **POWER TRIGGER SPRAYER**
- (75) Inventors: **Michael R. Harwood**, New Market, AL (US); **Patricia Forrest**, Huntsville, AL (US)
- (73) Assignee: **JM Harwood LLC**, Huntsville, AL (US)
- (**) Term: **14 Years**
- (21) Appl. No.: **29/429,397**
- (22) Filed: **Aug. 10, 2012**

Related U.S. Application Data

- (63) Continuation-in-part of application No. 13/566,988, filed on Aug. 3, 2012.
- (51) **LOC (10) Cl.** **09-07**
- (52) **U.S. Cl.**
USPC **D9/448**
- (58) **Field of Classification Search**
USPC D9/434, 435, 448, 449; D23/213, 226;
222/323, 383.1, 383.3, 402.15;
239/120, 215, 333, 394, 526, 539;
417/178, 198, 411
See application file for complete search history.

(56) **References Cited**

U.S. PATENT DOCUMENTS

4,197,884 A	4/1980	Maran	141/383
4,442,977 A	4/1984	Beiswenger et al.	239/322
5,655,885 A	8/1997	Chung	417/44.2
5,662,271 A	9/1997	Weston et al.	239/321
5,716,007 A	2/1998	Nottingham et al.	239/332
6,116,472 A	9/2000	Wanbaugh et al.	222/340
6,554,211 B1	4/2003	Prueter et al.	239/332
6,981,658 B2	1/2006	Streutker et al.	239/337
D539,142 S *	3/2007	Butler et al.	D9/448
D545,190 S *	6/2007	Wu	D9/448

D582,272 S *	12/2008	Cichy	D9/448
D583,668 S *	12/2008	Sweeton	D9/448
7,467,752 B2	12/2008	Sweeton	239/102.2
D590,712 S *	4/2009	Sweeton	D9/448
7,562,834 B2	7/2009	Hornsby et al.	239/527
D598,283 S *	8/2009	Ames et al.	D9/448
D600,119 S *	9/2009	Sweeton	D9/448
7,621,468 B2 *	11/2009	Smith et al.	239/492
7,648,083 B2	1/2010	Hornsby et al.	239/333
7,766,194 B2	8/2010	Boll et al.	222/333
D623,071 S *	9/2010	Driskell et al.	D9/685
D623,958 S	9/2010	Schaeffer et al.	D9/685
7,922,105 B2	4/2011	Zagorsky	239/340
D653,541 S	2/2012	Foster et al.	D9/448
D653,542 S	2/2012	Arminak	D9/448
D653,946 S	2/2012	Arminak	D9/448
D653,947 S	2/2012	Arminak	D9/448

(Continued)

Primary Examiner — Robert M Spear

(74) *Attorney, Agent, or Firm* — James Richards

(57) **CLAIM**

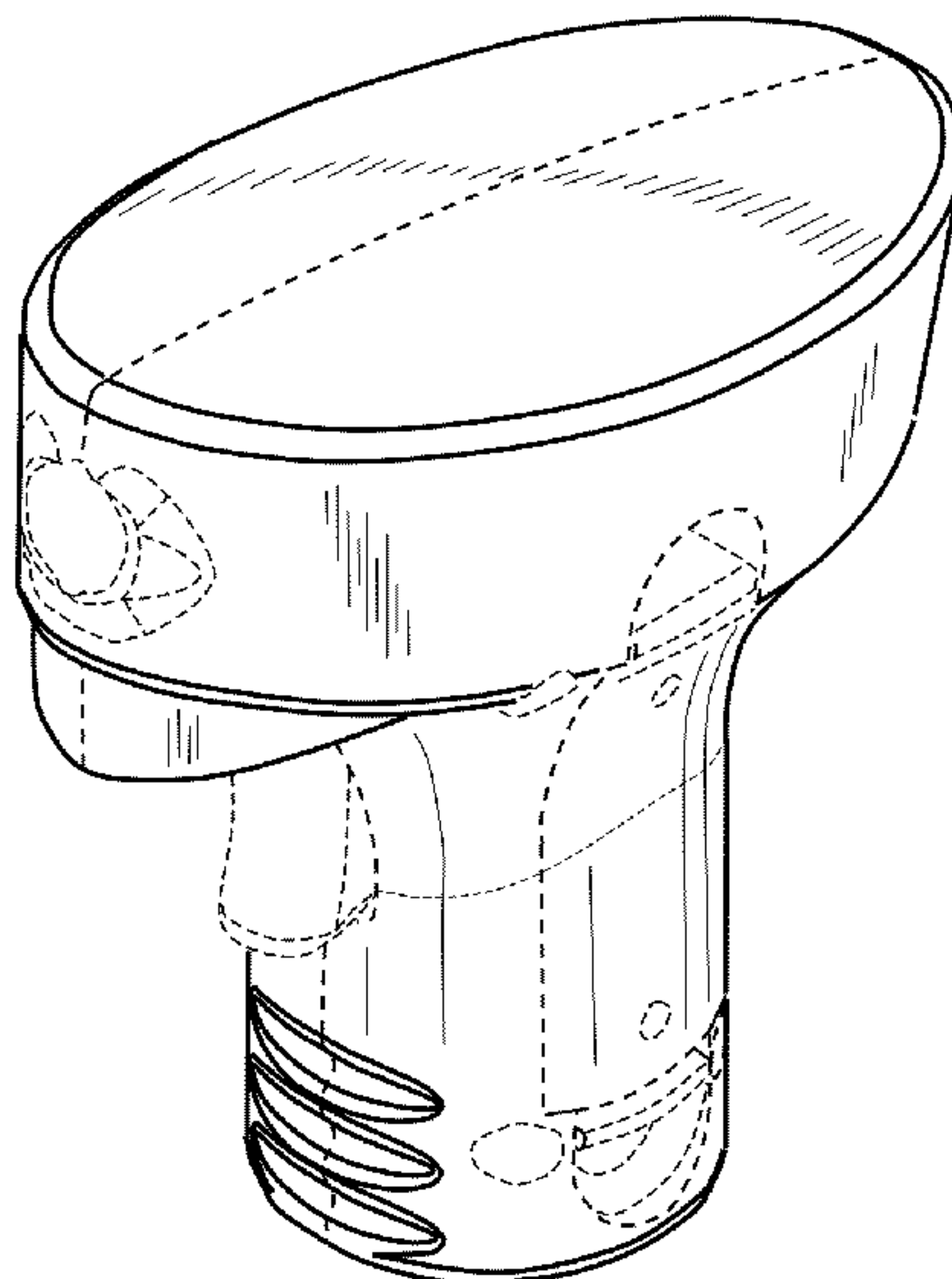
The ornamental design for a power trigger sprayer, as shown and described.

DESCRIPTION

FIG. 1 is a top front and left side perspective view of the power trigger sprayer showing our new design;
 FIG. 2 is a bottom, right and rear perspective view thereof;
 FIG. 3 is a right side elevational view thereof;
 FIG. 4 is a left side elevational view thereof;
 FIG. 5 is a front elevational view thereof;
 FIG. 6 is a rear elevational view thereof;
 FIG. 7 is a top plan view thereof; and,
 FIG. 8 is a bottom plan view thereof.

In the drawings, the broken lines immediately adjacent shaded surfaces depict boundaries of the claim; all other broken lines depict unclaimed elements of the design. The broken lines form no part of the claim.

1 Claim, 5 Drawing Sheets



(56)

References Cited

U.S. PATENT DOCUMENTS

D656,832 S 4/2012 Bowers et al. D9/526
D660,941 S 5/2012 Perez et al. D23/225
D660,942 S 5/2012 Hudson et al. D23/225

D662,179 S 6/2012 Lin D23/225
D668,551 S * 10/2012 Kersten D9/685
D691,488 S * 10/2013 Broen et al. D9/691
2004/0099751 A1 5/2004 Krestine et al. 239/302
2005/0011913 A1* 1/2005 Foster et al. 222/383.1

* cited by examiner

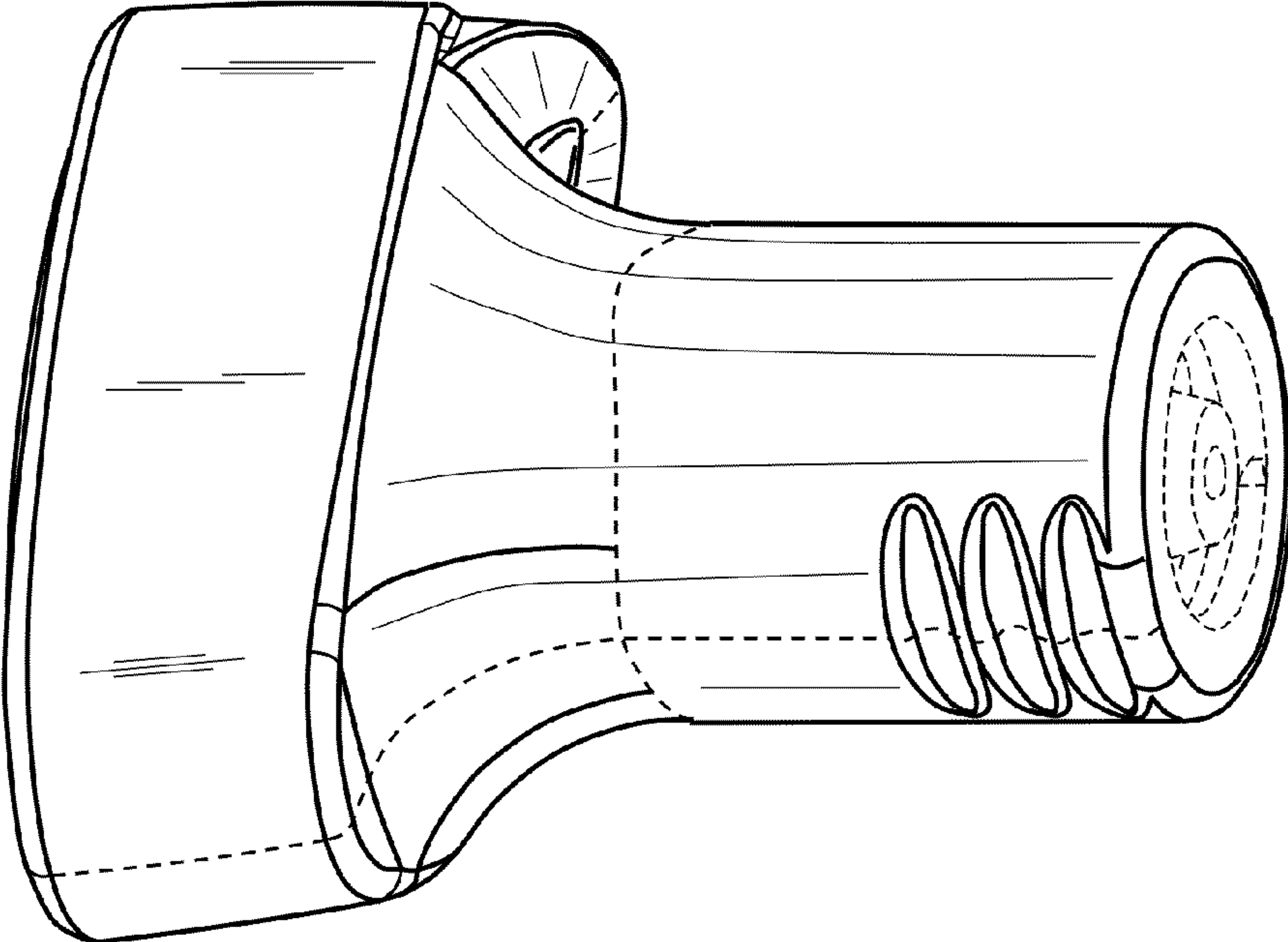


Fig. 2

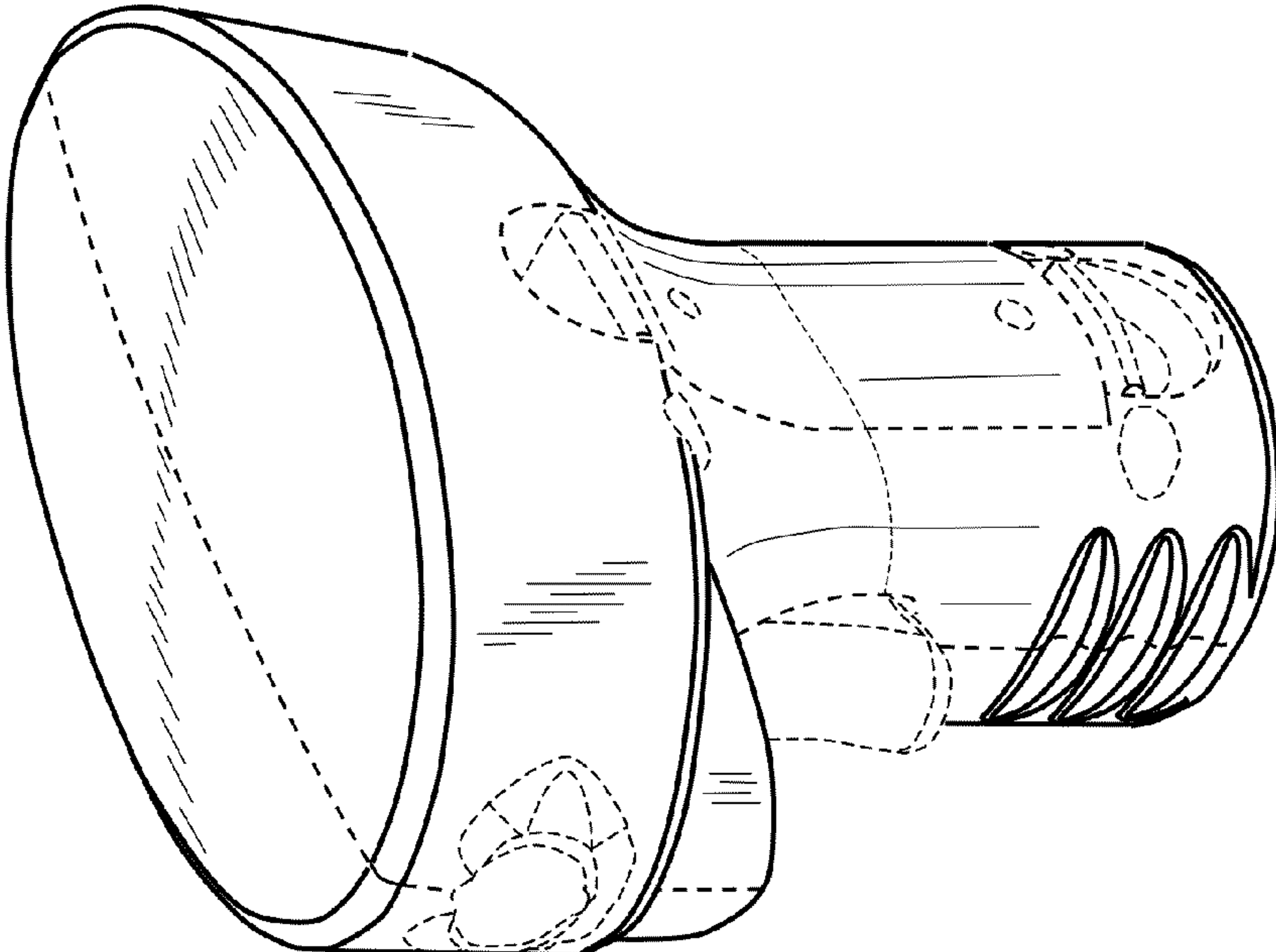


Fig. 1

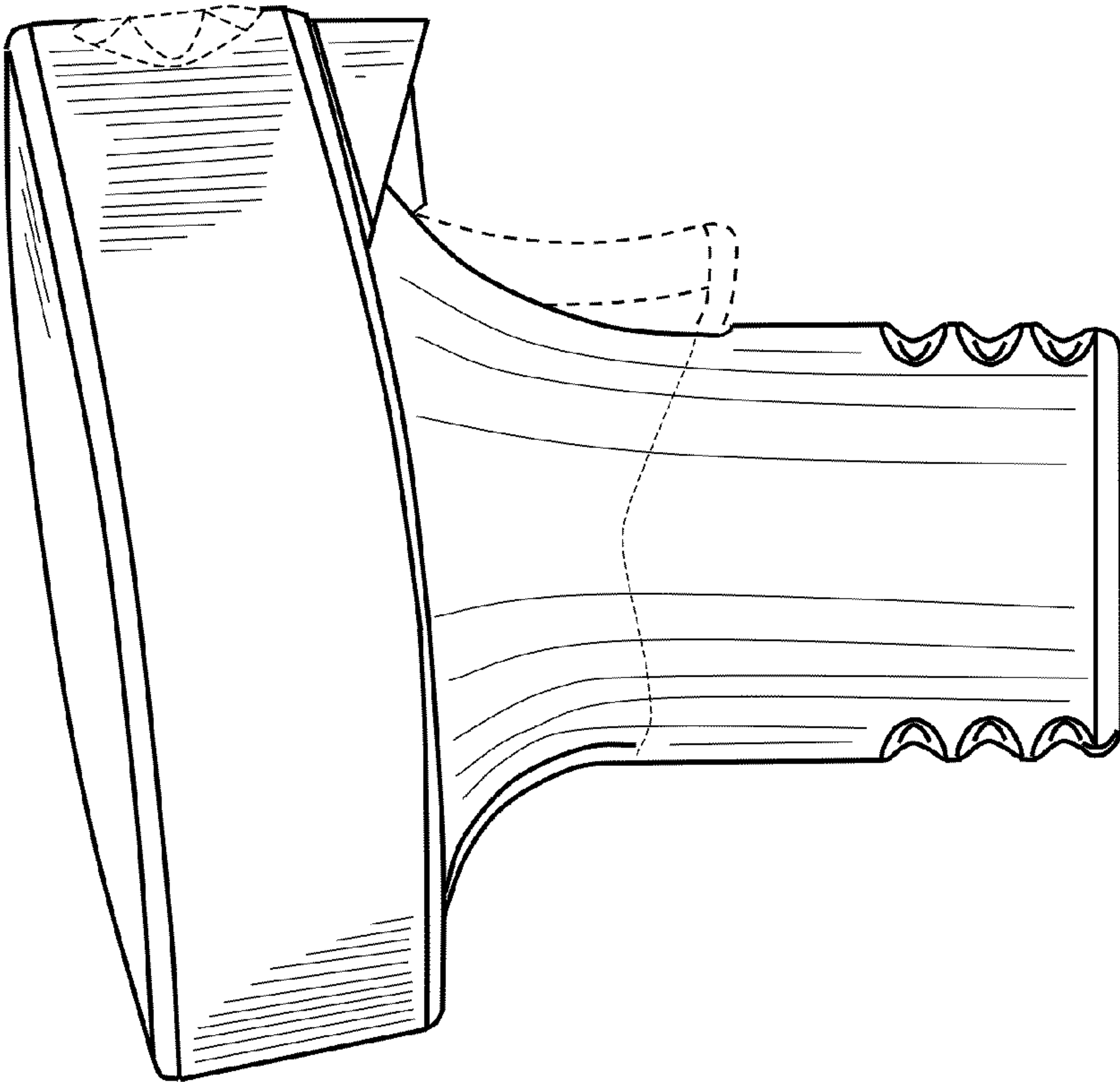


Fig. 3

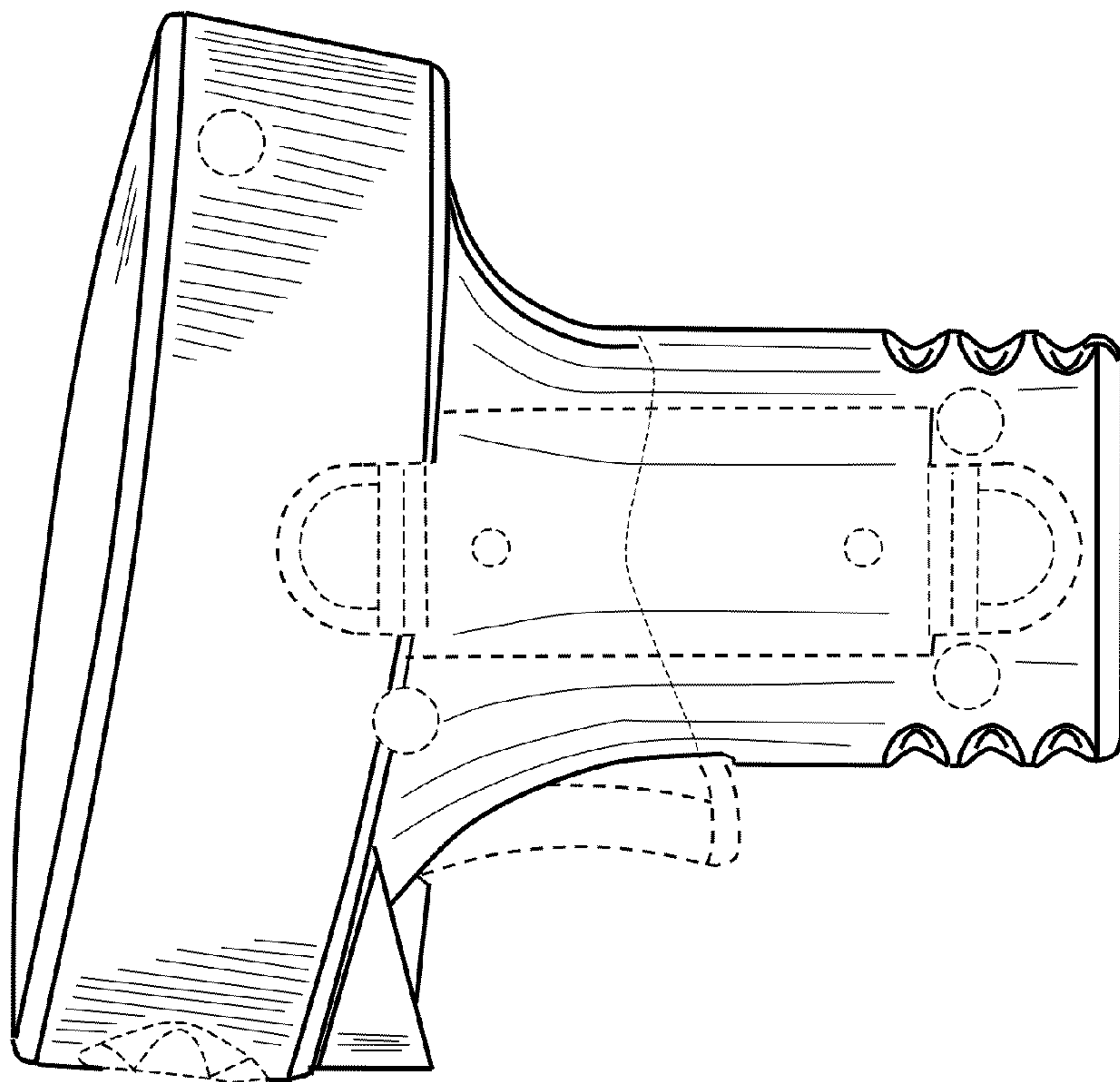


Fig. 4

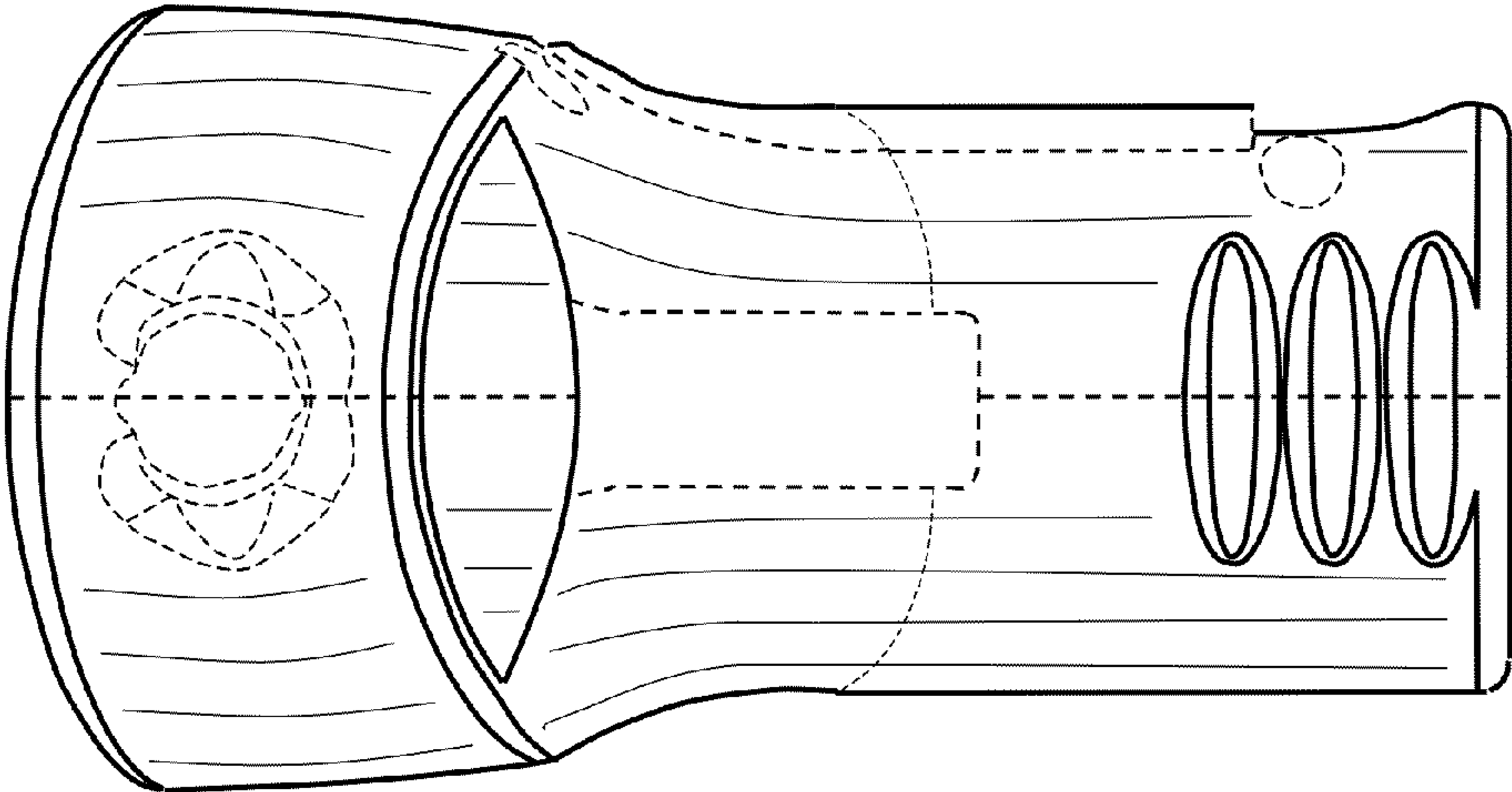


Fig. 5

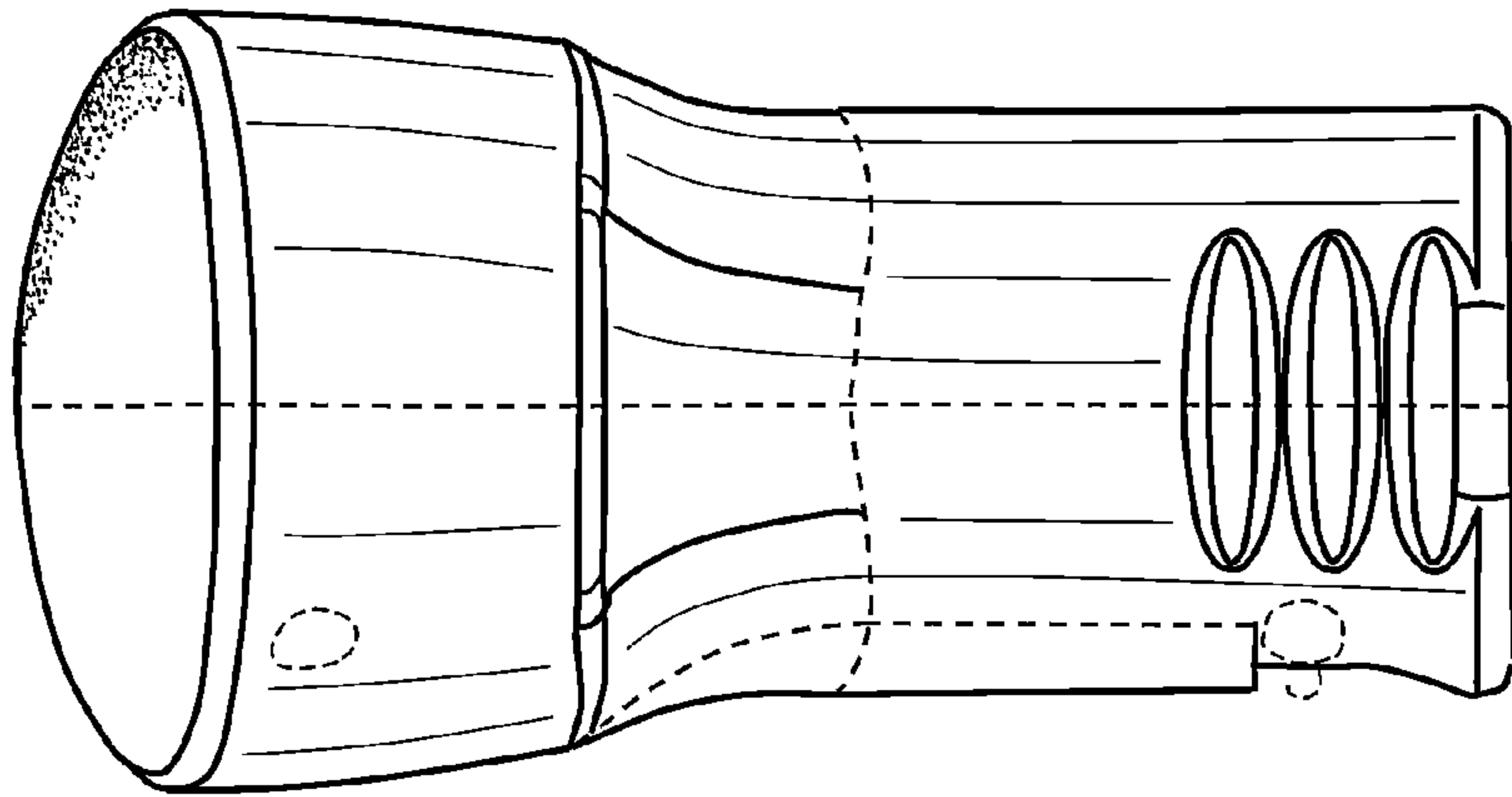


Fig. 6

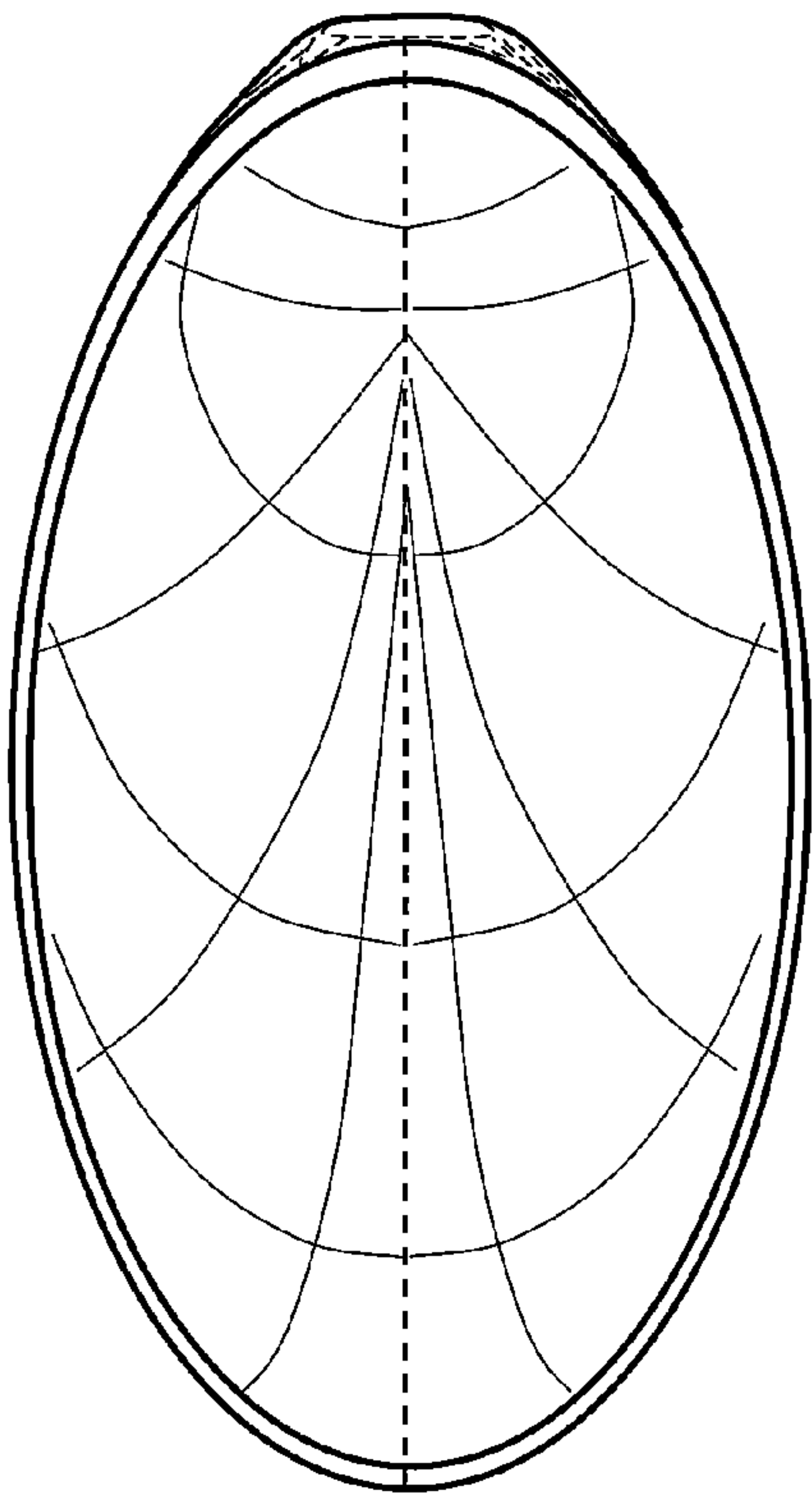


Fig. 7

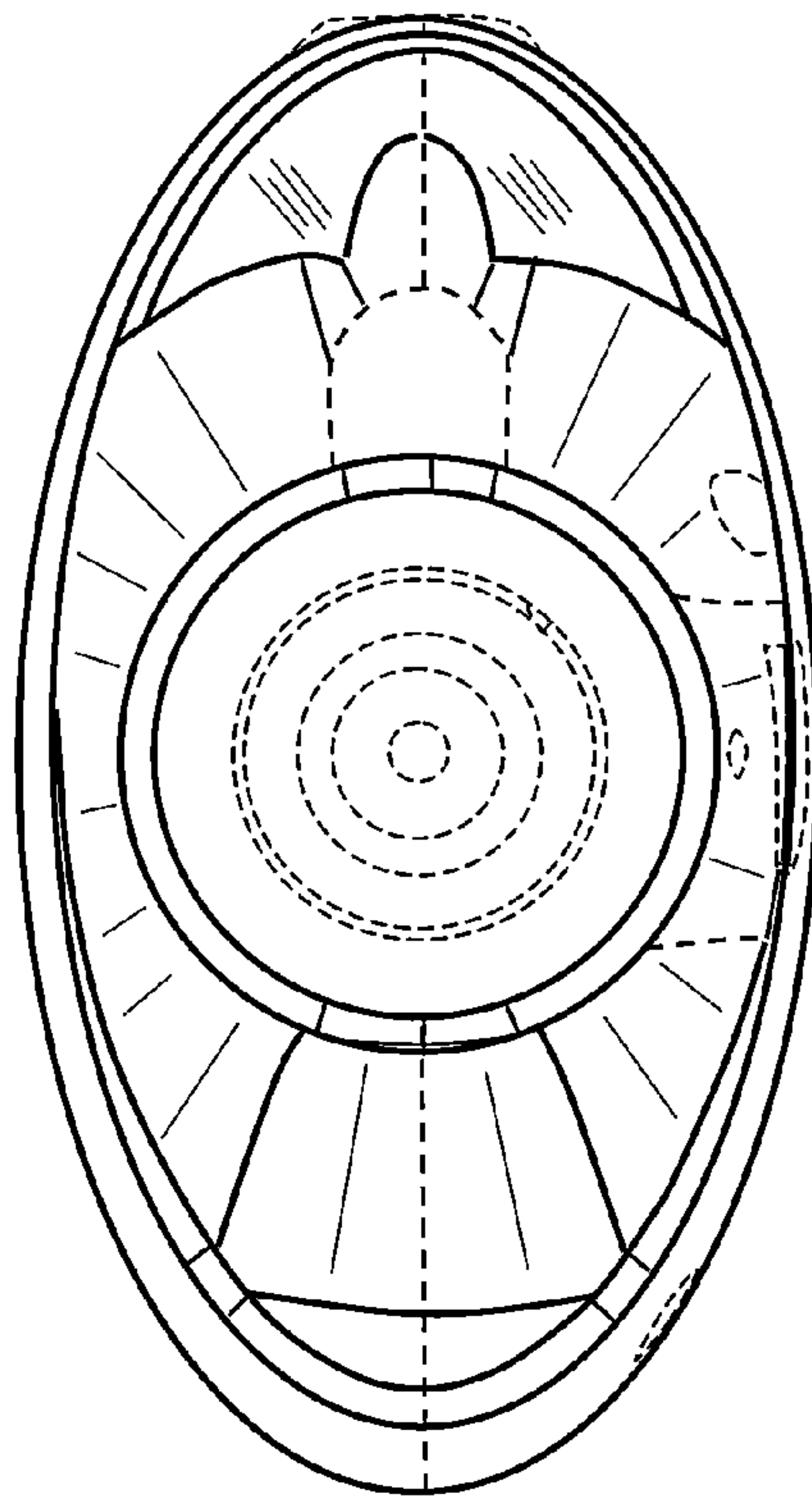


Fig. 8