



US00D703045S

(12) **United States Design Patent**
Stathos

(10) **Patent No.:** **US D703,045 S**

(45) **Date of Patent:** **** Apr. 22, 2014**

(54) **BOWL CAP**

(71) Applicant: **Nicholas Frank Stathos**, Tempe, AZ
(US)

(72) Inventor: **Nicholas Frank Stathos**, Tempe, AZ
(US)

(73) Assignee: **Smokey Caps, Inc.**, San Diego, CA
(US)

(**) Term: **14 Years**

(21) Appl. No.: **29/452,506**

(22) Filed: **Apr. 17, 2013**

(51) **LOC (10) Cl.** **09-07**

(52) **U.S. Cl.**
USPC **D9/436**

(58) **Field of Classification Search**
USPC D7/391, 392; D9/392.1, 428, 435, 436,
D9/447, 724; D10/113.2; D12/204.207;
206/508; 215/200, 316
See application file for complete search history.

(56) **References Cited**

U.S. PATENT DOCUMENTS

D102,741 S *	1/1937	Bloomfield	D9/447
D179,617 S *	1/1957	Tupper	D9/428
4,031,904 A	6/1977	Karl		
4,164,949 A	8/1979	Diven		
4,201,230 A	5/1980	Howell, Jr.		
4,216,785 A	8/1980	Erickson		
D273,369 S *	4/1984	Fantozzi	D9/436
D281,581 S *	12/1985	MacEwen	D9/435
D327,231 S *	6/1992	Mazzola	D10/113.2
D388,328 S *	12/1997	Harris	D9/447
D504,826 S *	5/2005	Ziegenhorn et al.	D9/724

OTHER PUBLICATIONS

Off Ya Tree, Canberra Bong Shop, Catalog, Apr. 16, 2013, United States http://www.offyatree.com.au/canberra/bongshop/category102_1.htm.

* cited by examiner

Primary Examiner — Susan Bennett Hattan

Assistant Examiner — Leanne Was

(74) *Attorney, Agent, or Firm* — Marc E. Hankin; Kevin Schraven; Jimmy Sauz

(57) **CLAIM**

The ornamental design for a bowl cap, as shown and described.

DESCRIPTION

FIG. 1 is an illustration of a top perspective view of the bowl cap.

FIG. 2 is an illustration of a side elevational view of the bowl cap.

FIG. 3 is an illustration of a top elevational view of the bowl cap.

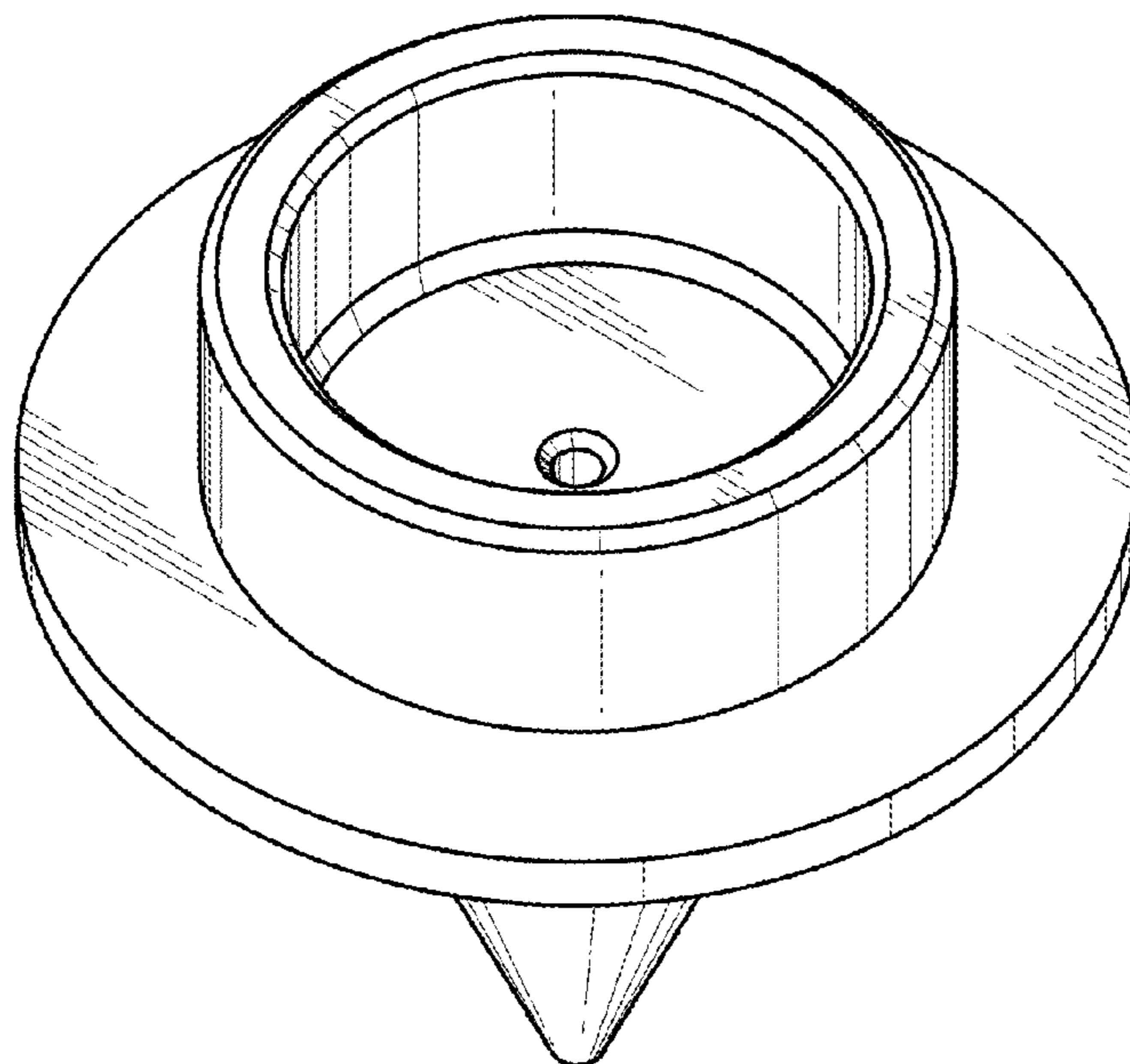
FIG. 4 is an illustration of a bottom elevational view of the bowl cap.

FIG. 5 is an illustration of a bottom perspective view of the bowl cap; and,

FIG. 6 is an illustration of a top perspective view of the bowl cap within a bottle cap.

The broken lines showing a bottle cap are for the purpose of illustrating environmental structure and form no part of the claimed design.

1 Claim, 4 Drawing Sheets



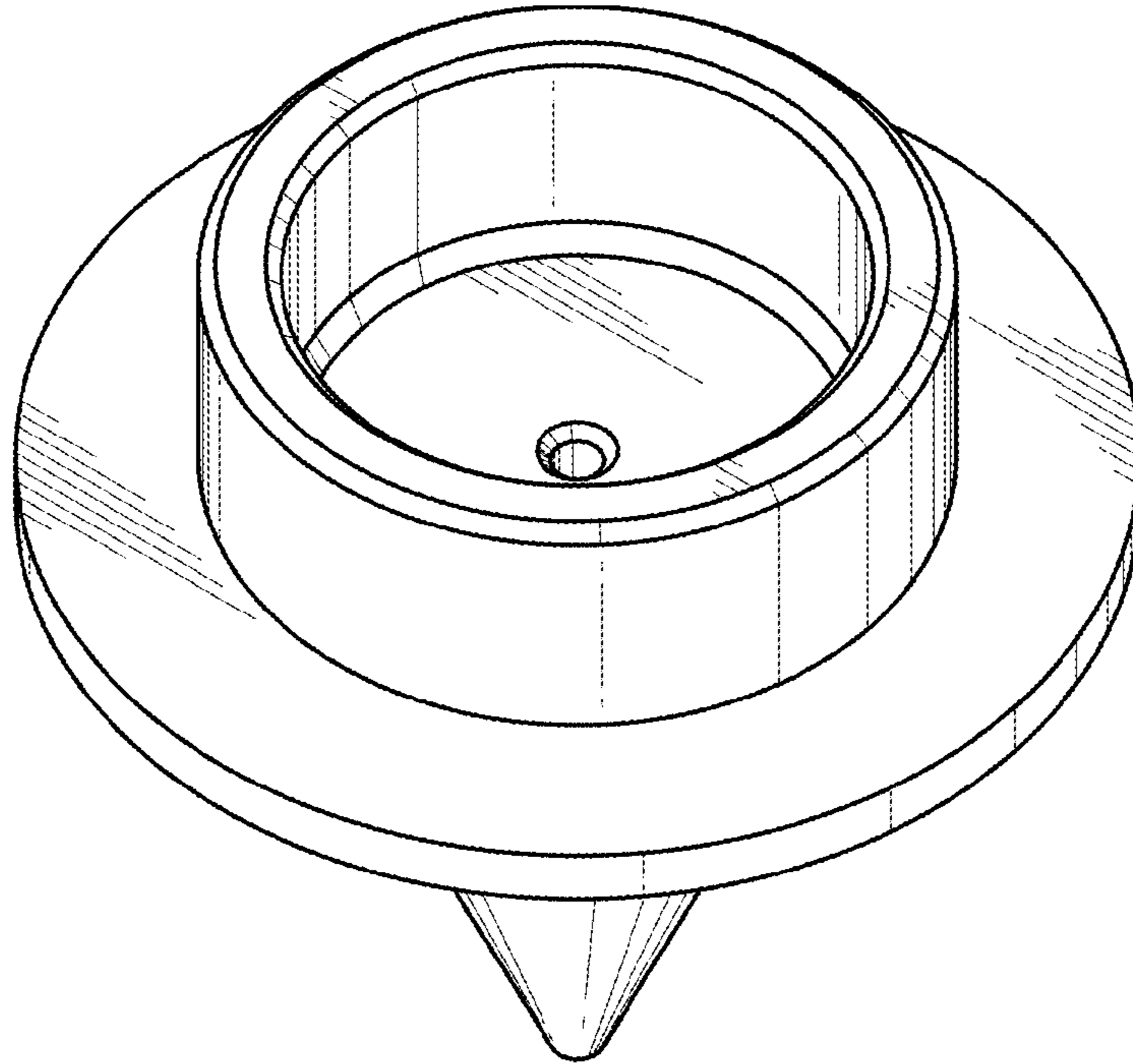


FIG. 1

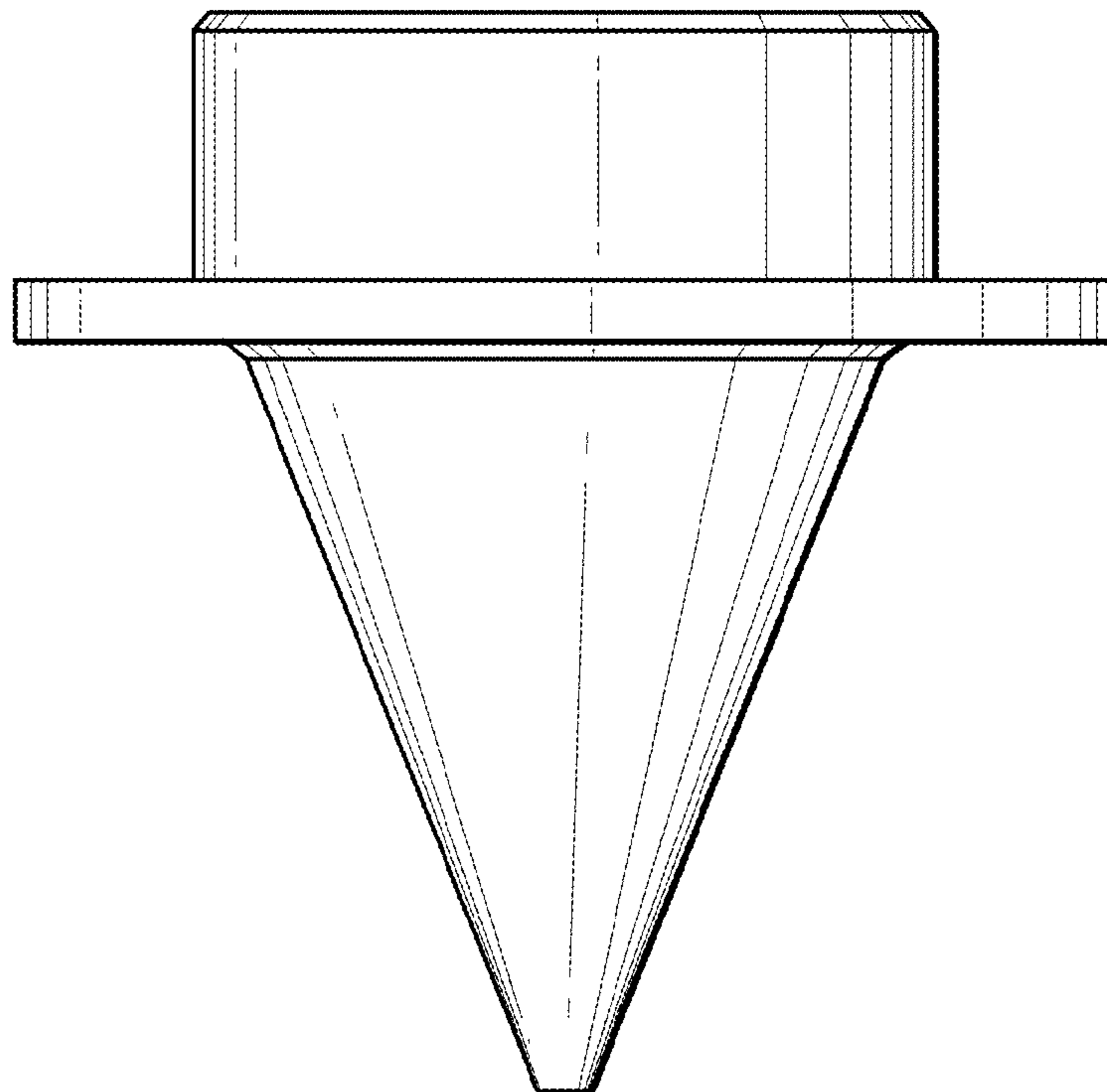


FIG. 2

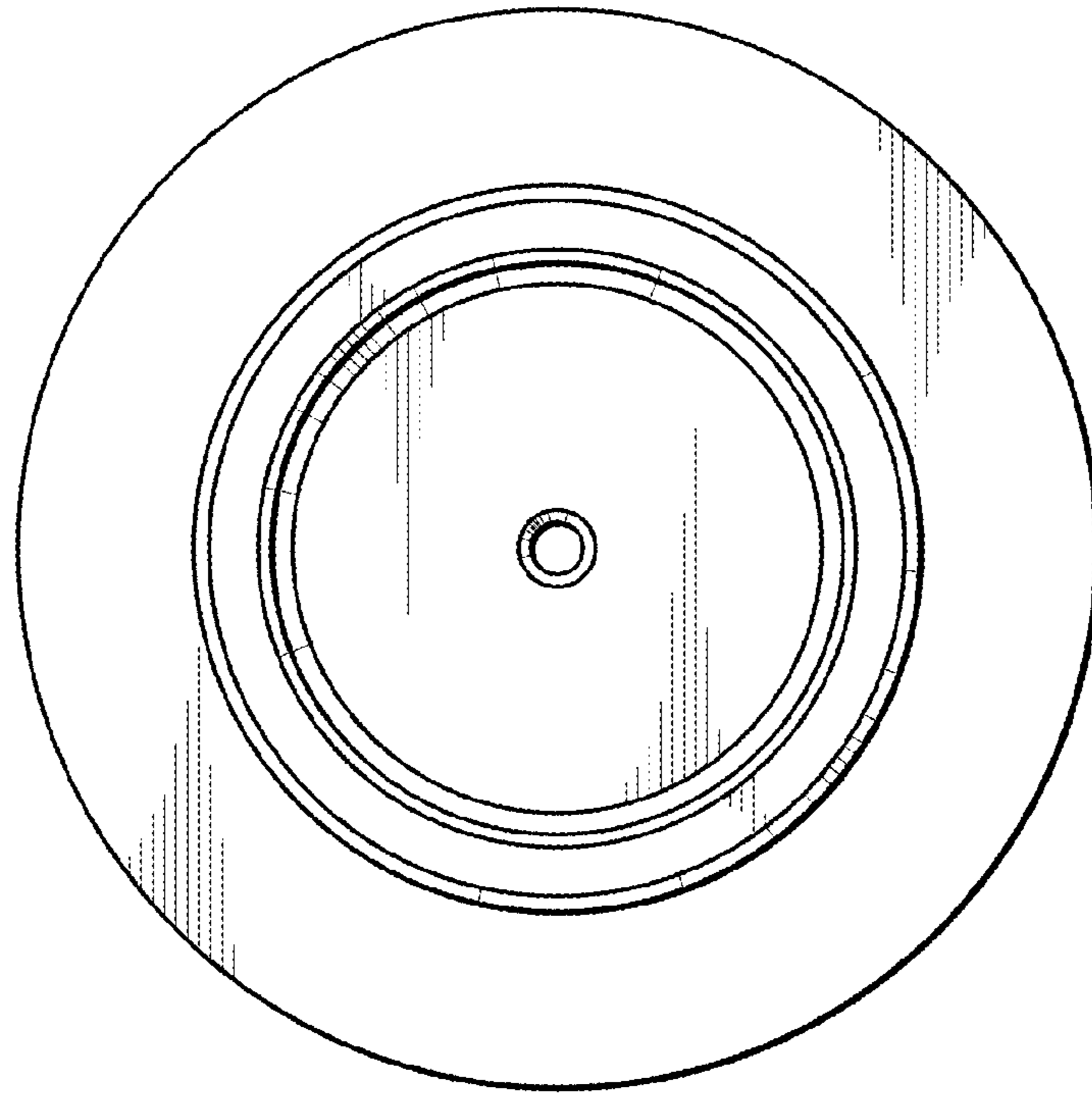


FIG. 3

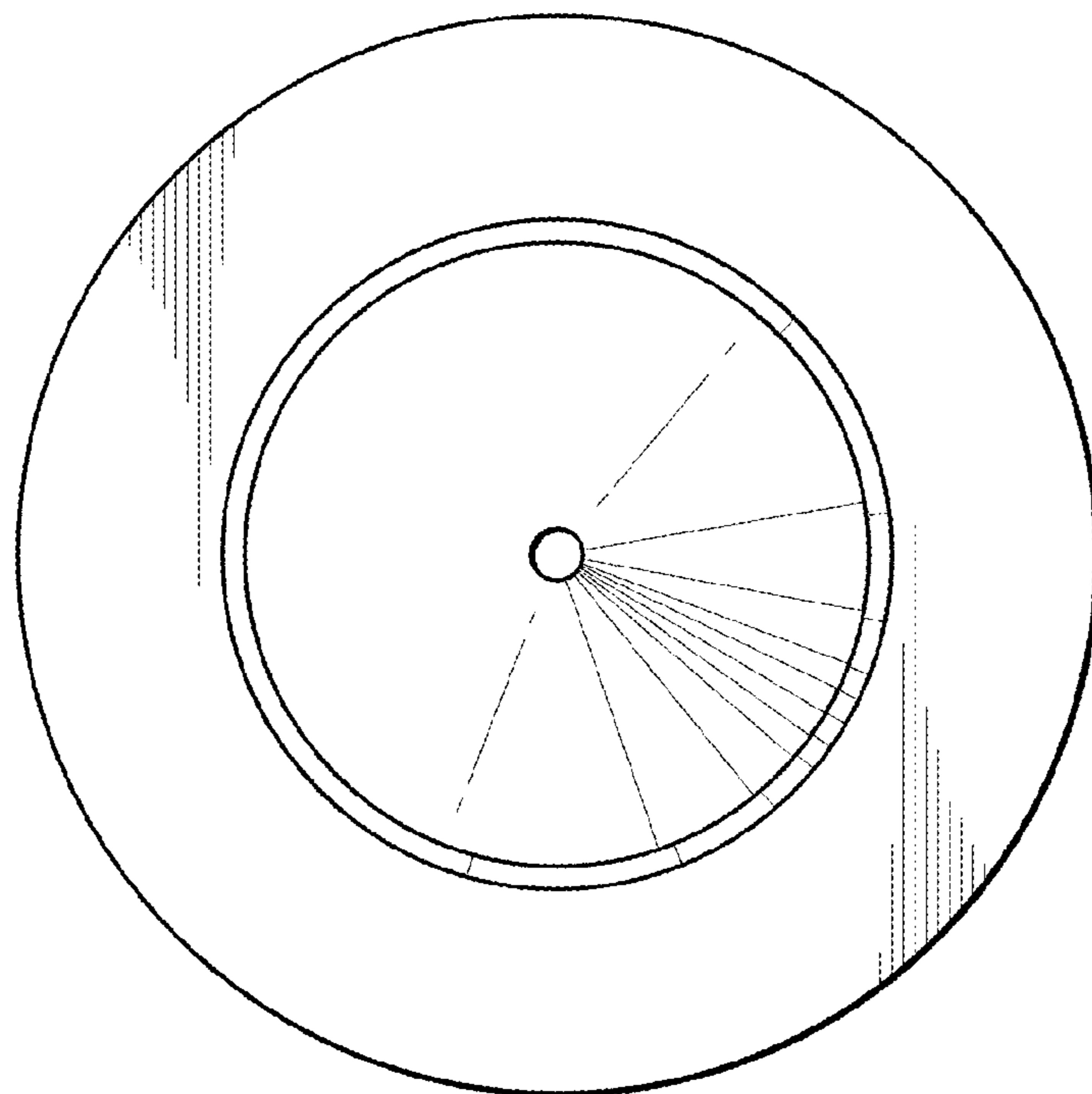


FIG. 4

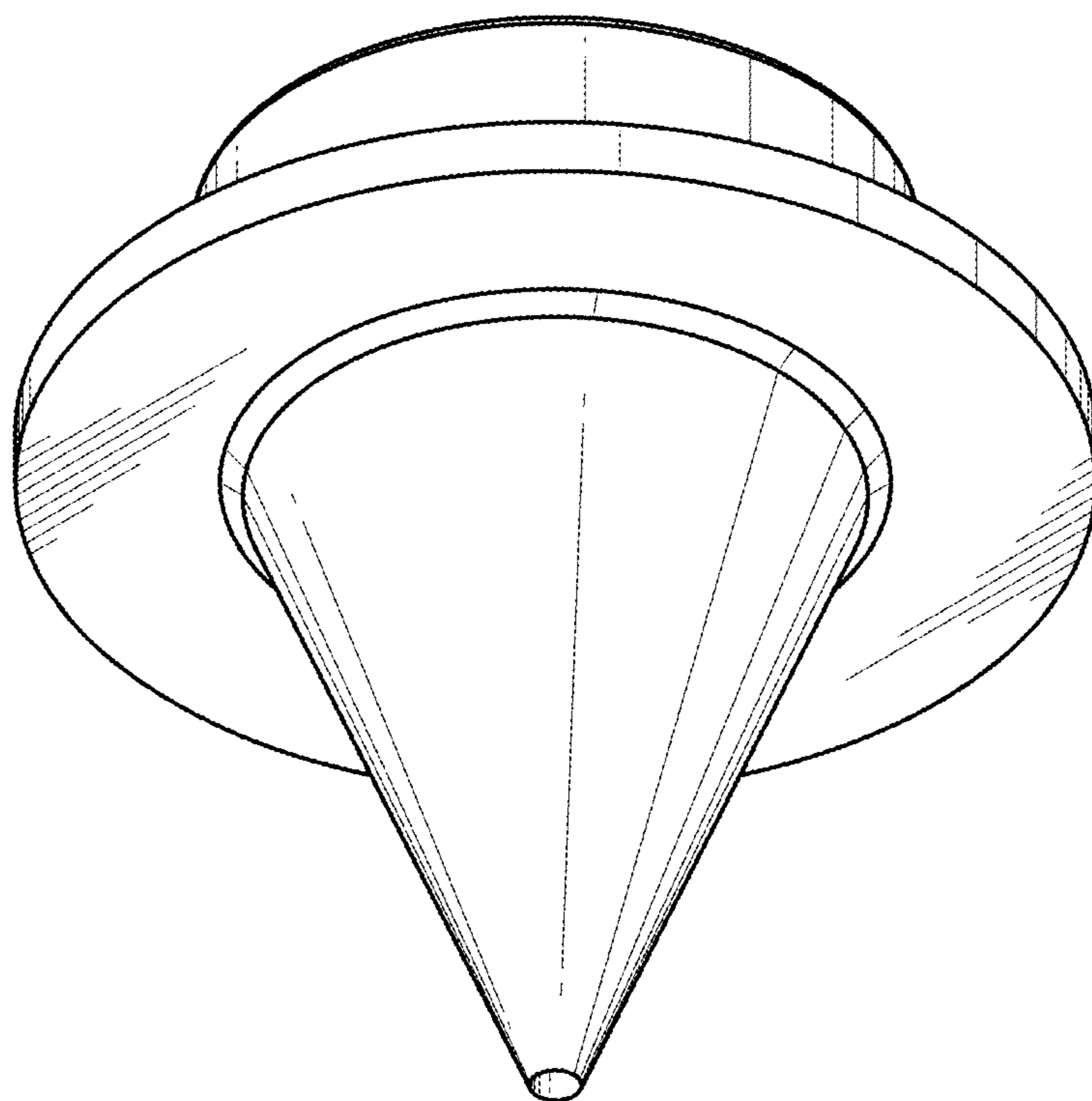


FIG. 5

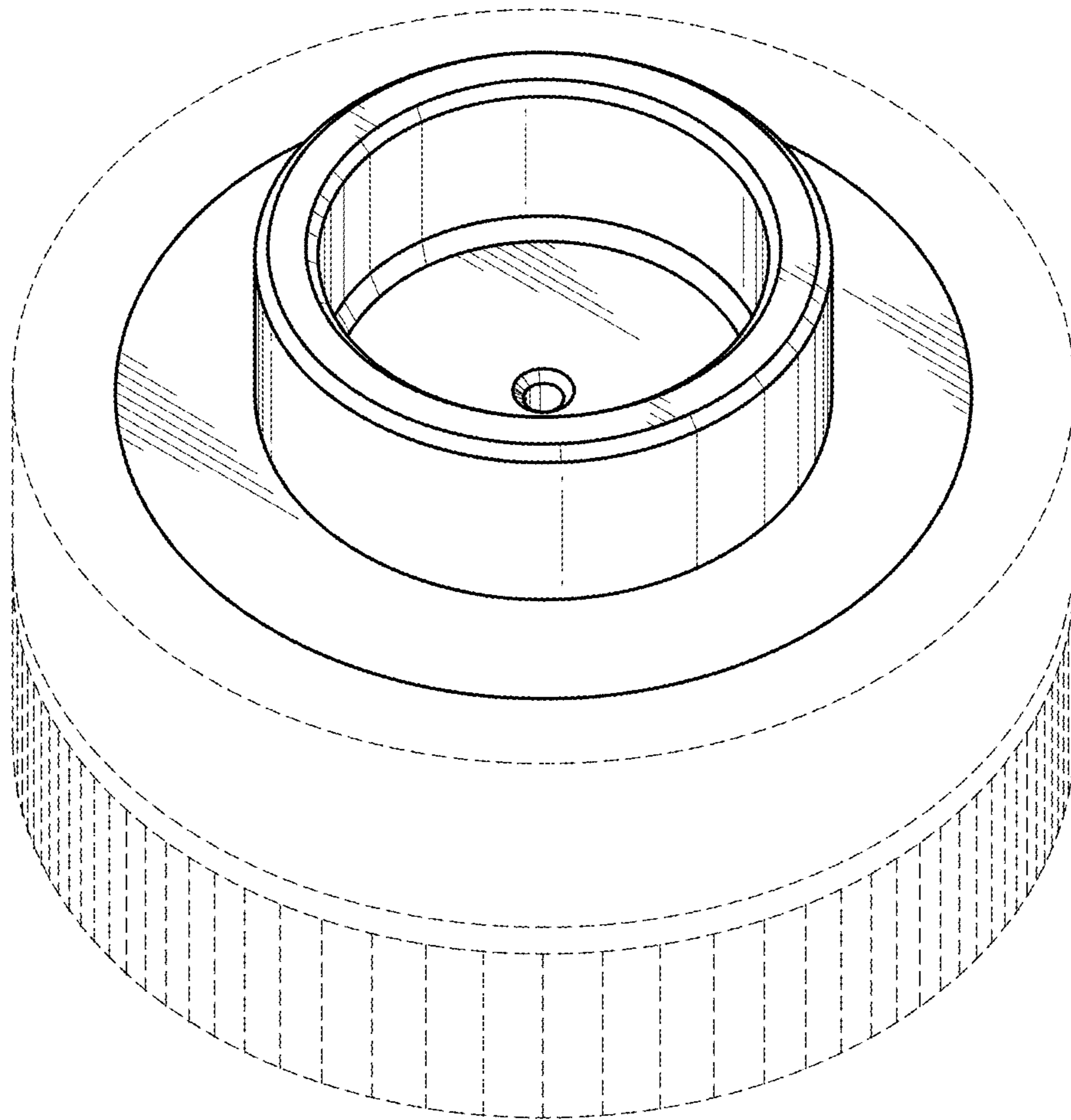


FIG. 6