



US00D703044S

(12) **United States Design Patent**  
**Chou**

(10) **Patent No.:** **US D703,044 S**

(45) **Date of Patent:** **\*\* Apr. 22, 2014**

(54) **LID FOR A DRINK CUP**

(71) Applicant: **Bob Chou**, New Taipei (TW)

(72) Inventor: **Bob Chou**, New Taipei (TW)

(\*\*) Term: **14 Years**

(21) Appl. No.: **29/452,757**

(22) Filed: **Apr. 22, 2013**

(51) **LOC (10) Cl.** ..... **09-07**

(52) **U.S. Cl.**  
USPC ..... **D9/435; D9/452; D9/454**

(58) **Field of Classification Search**  
USPC ..... D9/435, 436, 437, 438, 440, 447, 449,  
D9/454; D7/392.1, 396.2; D25/36; 52/19;  
404/25; 215/200, 228, 250, 253, 387;  
220/200, 367.1, 711, 712, 713, 752;  
222/39; 229/404  
See application file for complete search history.

(56) **References Cited**

**U.S. PATENT DOCUMENTS**

3,217,619	A *	11/1965	Driver et al.	404/25
D243,231	S *	2/1977	Smith	D9/439
D260,492	S *	9/1981	Scott	D9/452
D292,380	S *	10/1987	Smith	D9/435
D299,010	S *	12/1988	Wall	D9/454
6,419,105	B1 *	7/2002	Bruce et al.	220/266
6,644,490	B2 *	11/2003	Clarke	220/254.1
D493,718	S *	8/2004	Durdon	D9/435
7,100,790	B2 *	9/2006	Dark	220/711
D592,056	S *	5/2009	Tedford, Jr.	D9/447
7,591,393	B2 *	9/2009	Crudgington, Jr.	220/713

D632,174	S *	2/2011	Charbonnet et al.	D9/447
D636,674	S *	4/2011	Golota et al.	D9/452
D655,605	S *	3/2012	Baughman	D9/447

\* cited by examiner

*Primary Examiner* — Thomas Johannes

*Assistant Examiner* — Leanne Thomas

(74) *Attorney, Agent, or Firm* — Rosenberg, Klein & Lee

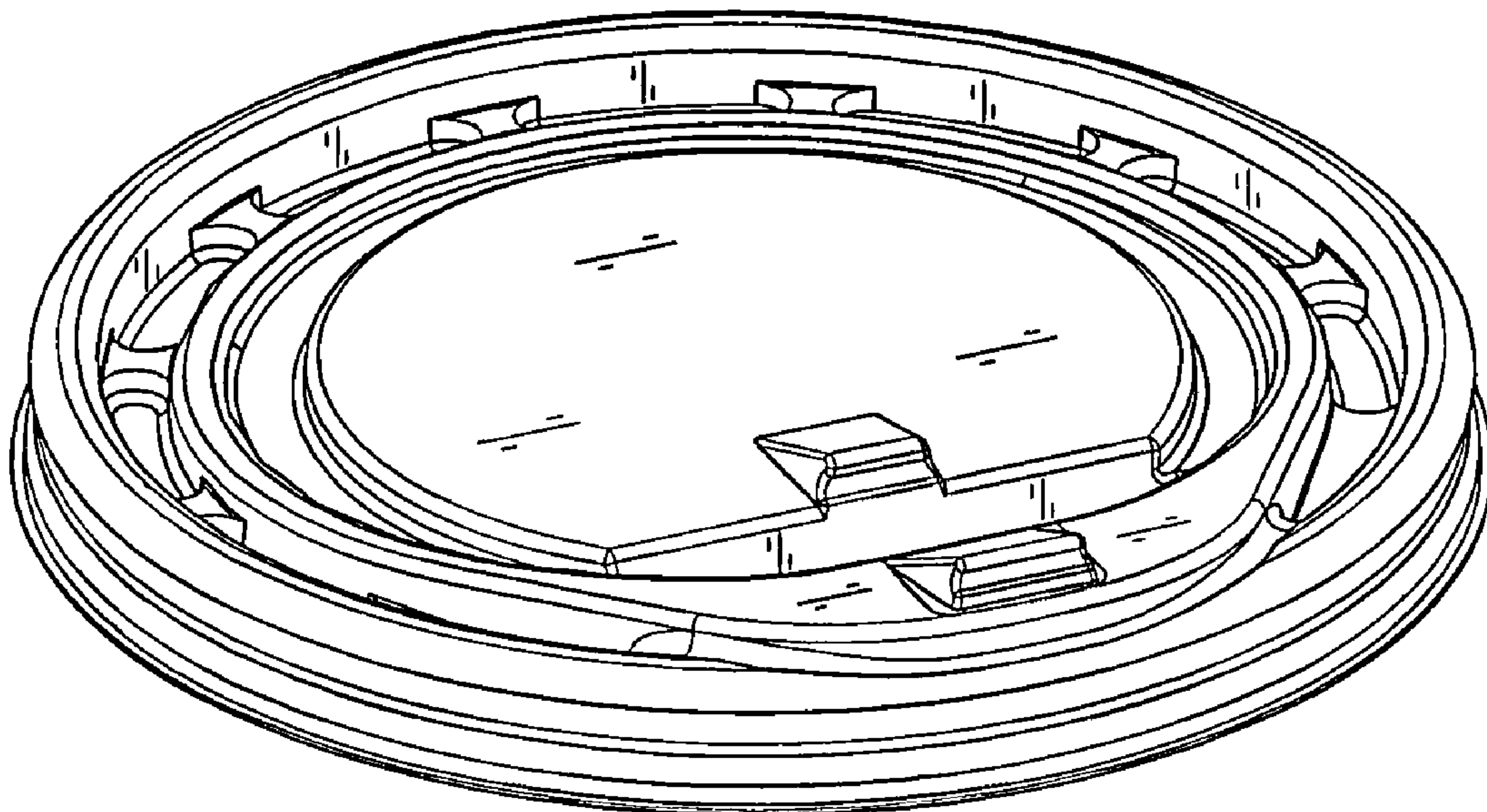
(57) **CLAIM**

The ornamental design for a lid for a drink cup, as shown and described.

**DESCRIPTION**

FIG. 1 is a perspective view of a lid for a drink cup showing my new design;  
 FIG. 2 is a downwardly perspective view thereof;  
 FIG. 3 is a front elevational view thereof;  
 FIG. 4 is a rear elevational view thereof;  
 FIG. 5 is a right side elevational view thereof; the left right side elevational view being a mirror image thereof;  
 FIG. 6 is a top plan view thereof;  
 FIG. 7 is a bottom plan view thereof; and,  
 FIG. 8 is an application example thereof.  
 The broken line showing of the curved arrow in FIG. 8 is included for the purpose of illustrating the changed position of the hinged element and forms no part of the claimed design; the other broken lines in the drawing show unclaimed subject matter. The broken lines form no part of the claimed design.

**1 Claim, 4 Drawing Sheets**



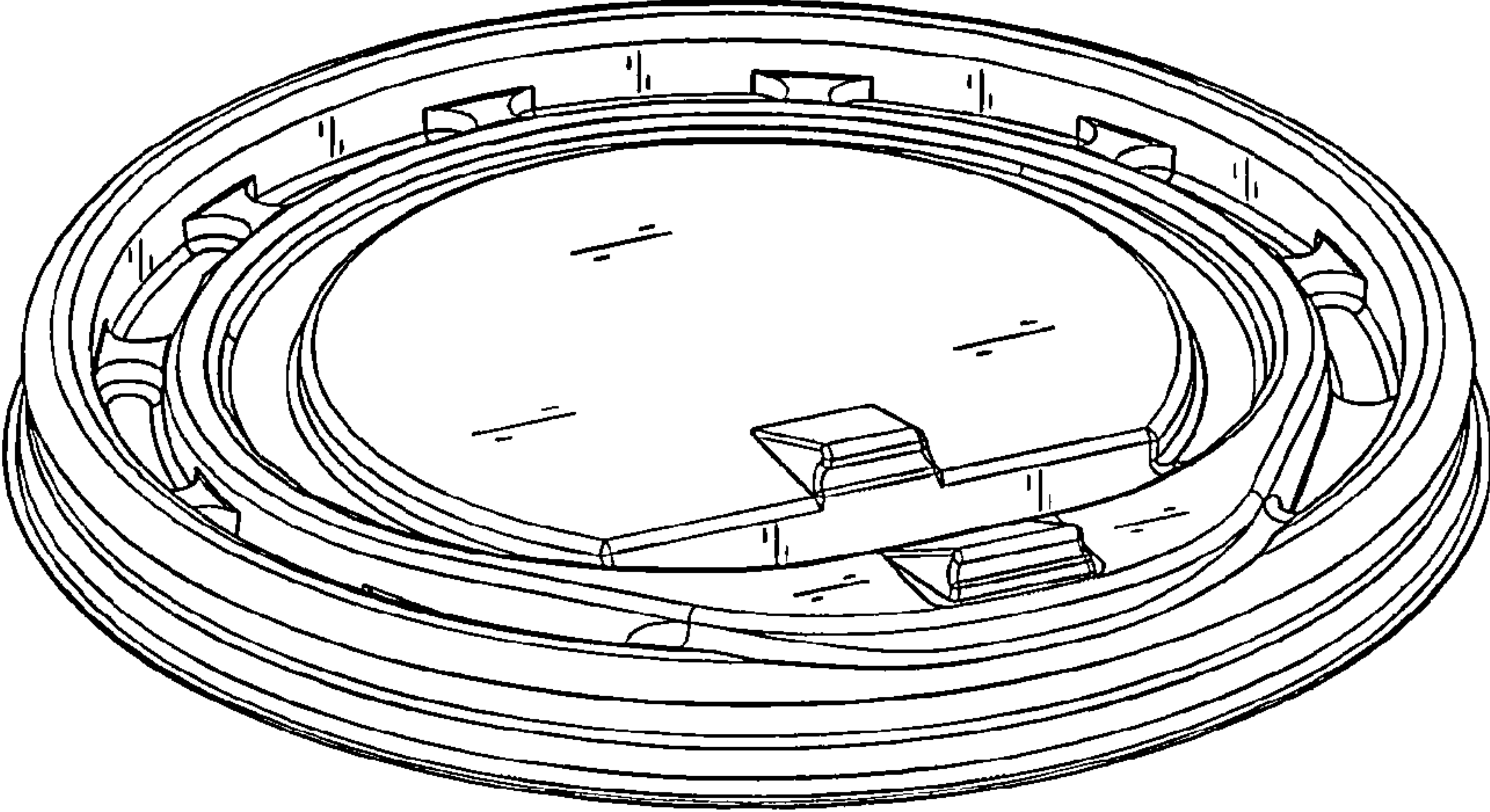


FIG.1

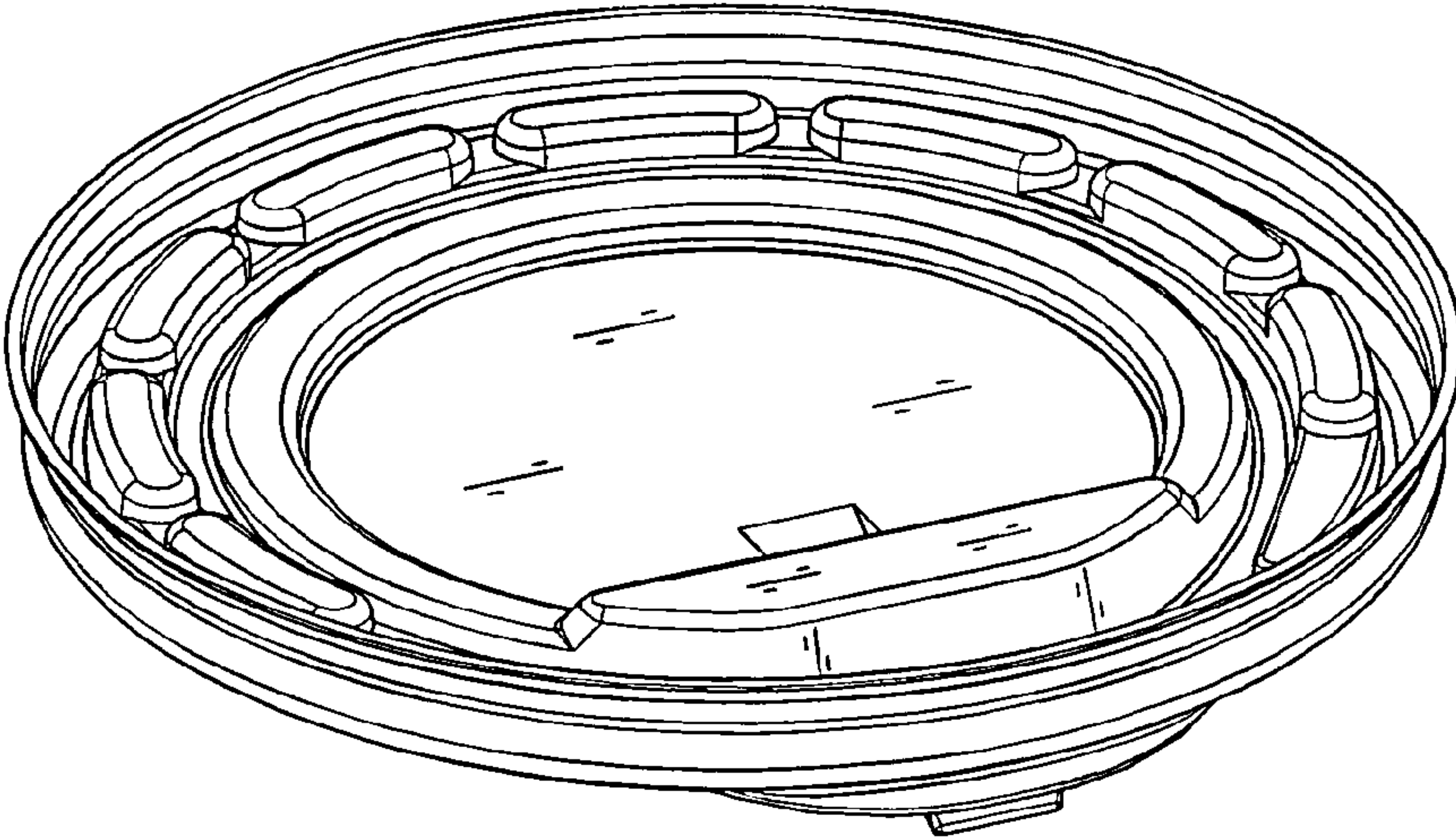


FIG.2

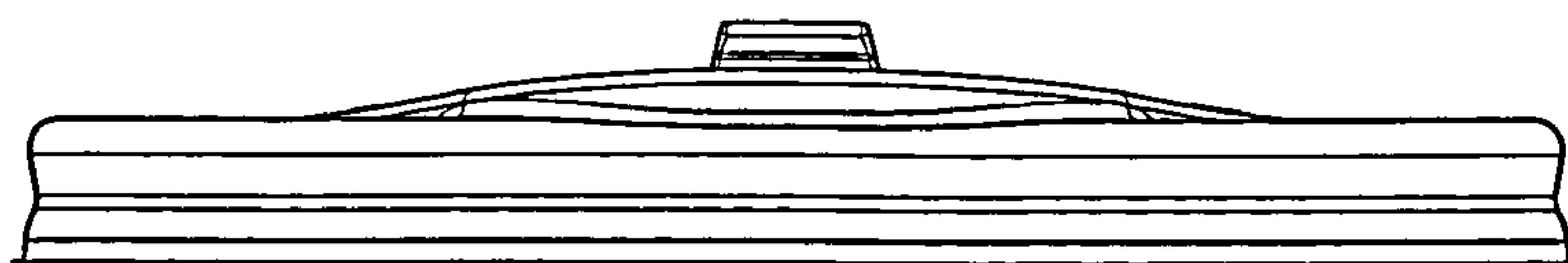


FIG.3

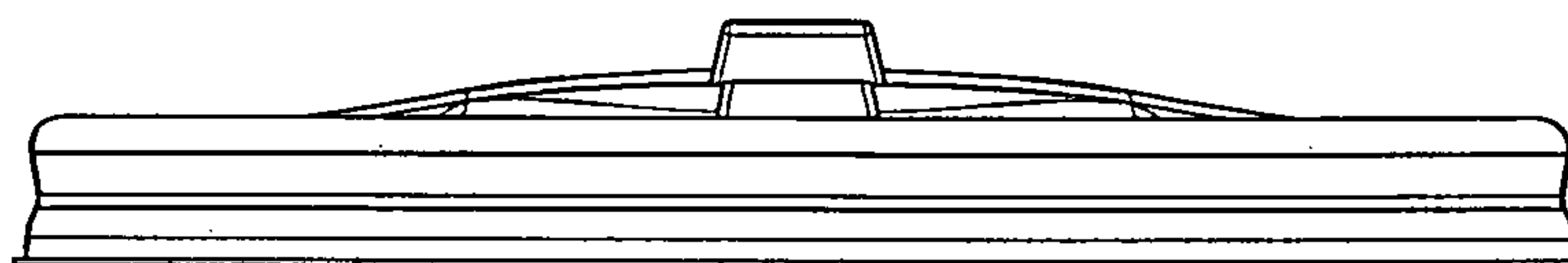


FIG.4

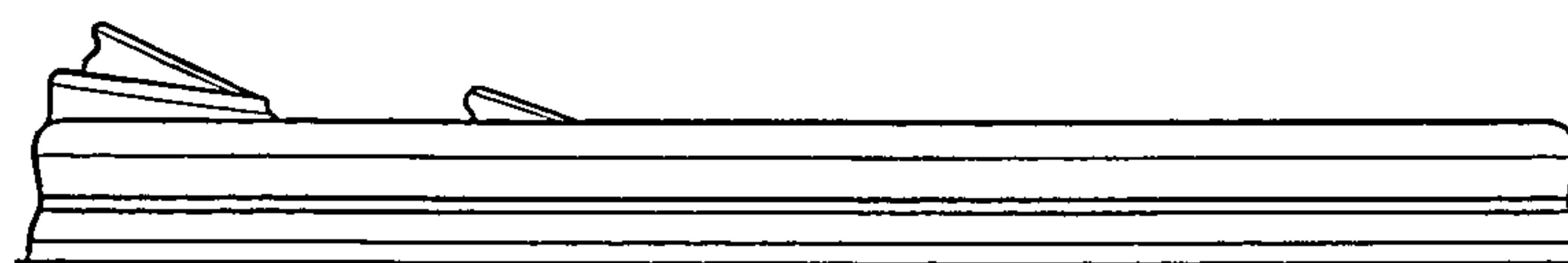


FIG.5



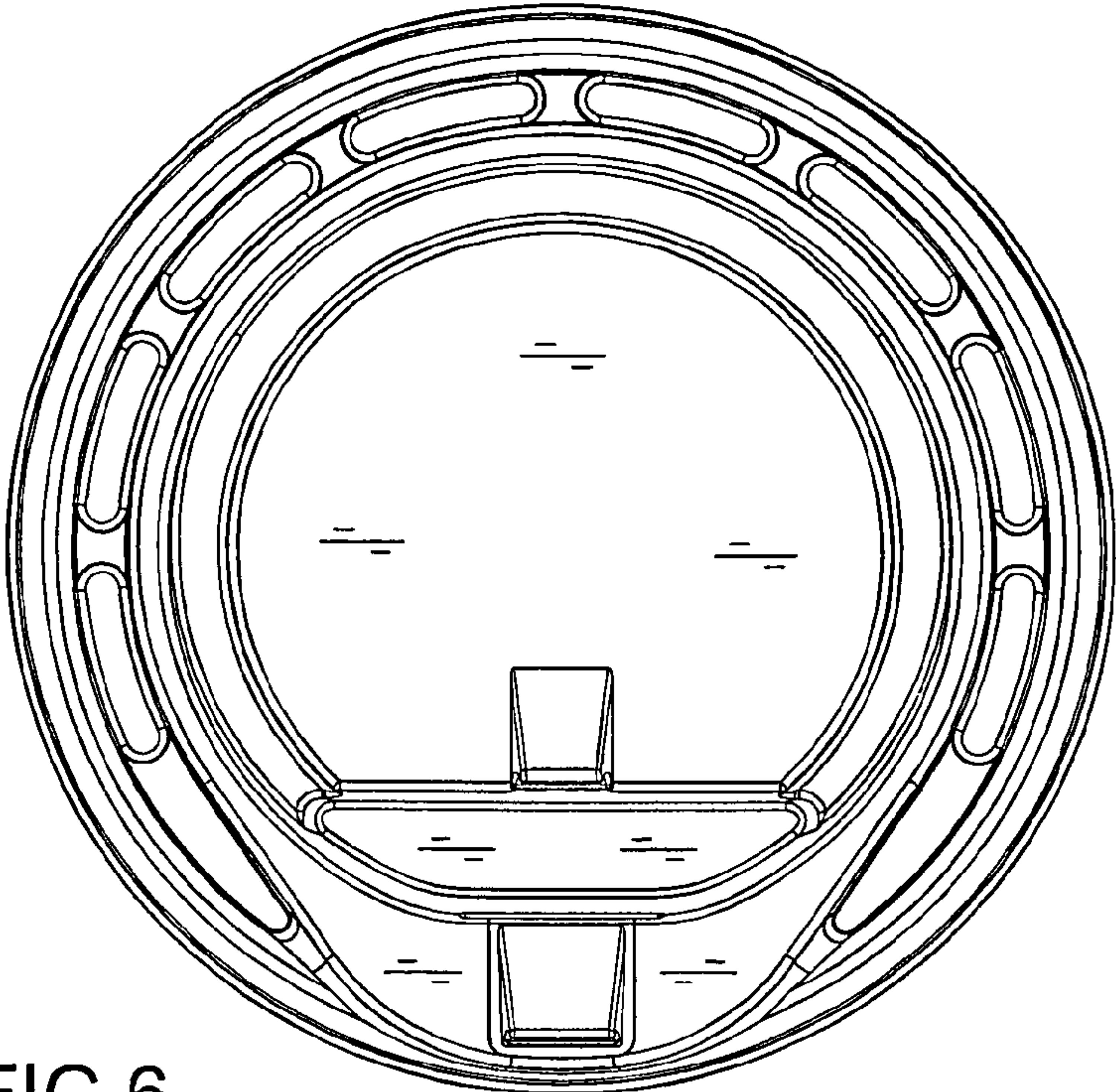


FIG. 6

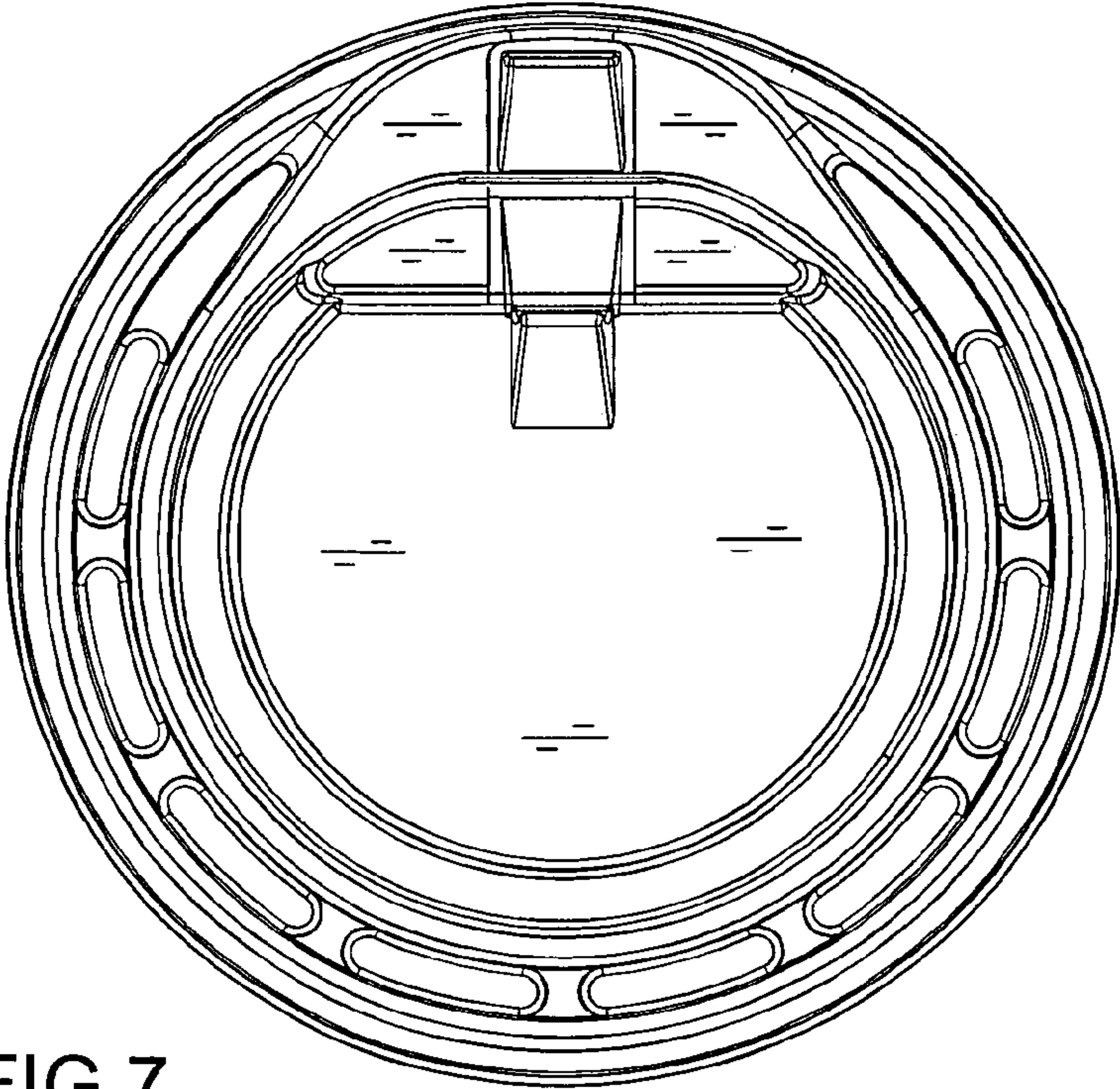


FIG. 7

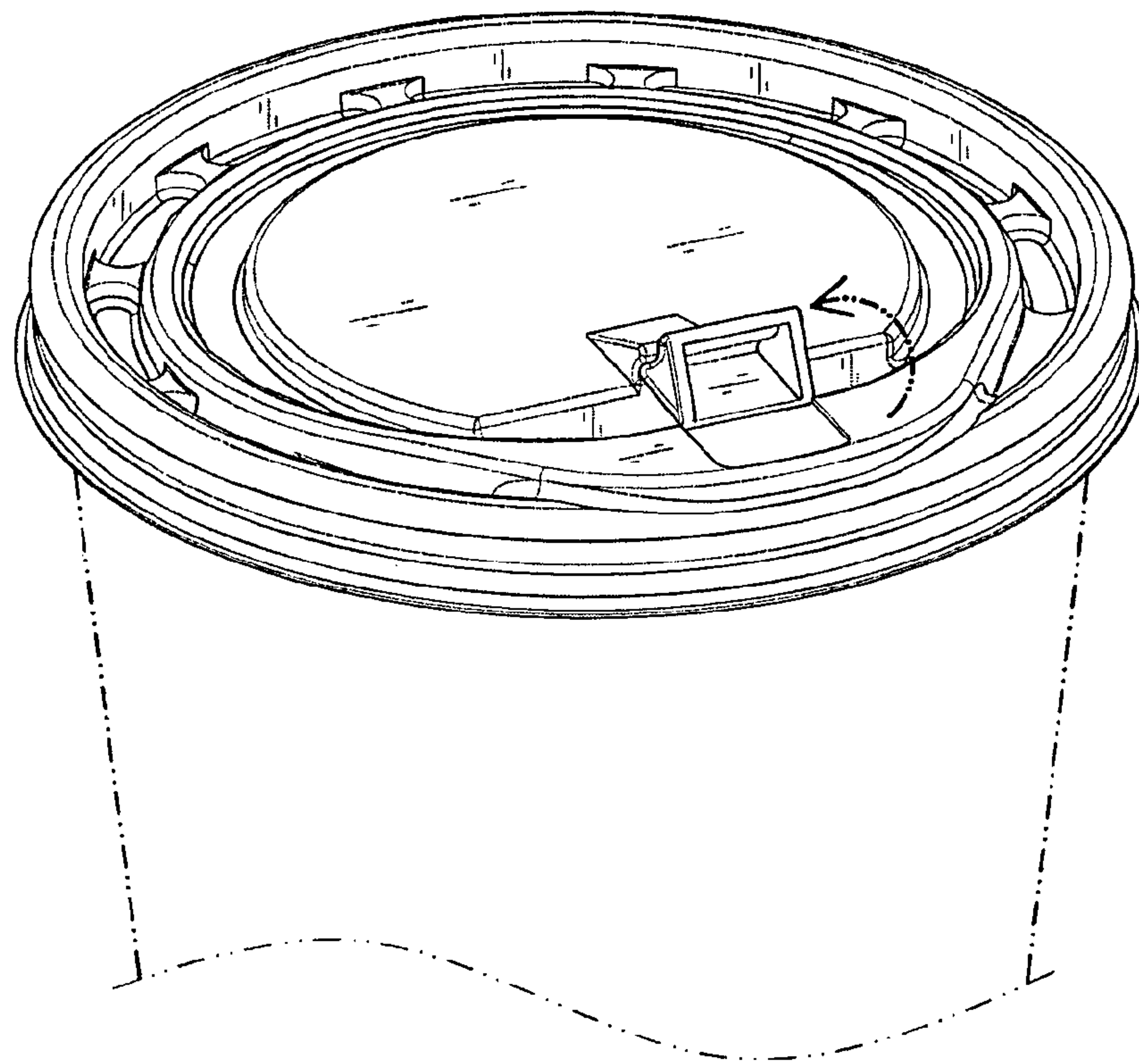


FIG.8