



US00D703043S

(12) **United States Design Patent**
Kovitz et al.

(10) **Patent No.:** **US D703,043 S**
(45) **Date of Patent:** **** Apr. 22, 2014**

- (54) **CONTAINER LID**
- (71) Applicant: **Shake N' Share LLC**, Mount Pleasant, MI (US)
- (72) Inventors: **Justin Kovitz**, Mount Pleasant, MI (US);
Ray Kovitz, Mount Pleasant, MI (US)
- (73) Assignee: **Shake N' Share LLC**, Mount Pleasant, MI (US)
- (**) Term: **14 Years**

6,116,772 A	9/2000	DiGiacomo et al.	
6,397,782 B1 *	6/2002	Cope et al.	119/452
D482,575 S *	11/2003	Mountain	D7/586
D509,106 S *	9/2005	de Groote et al.	D7/587
D512,598 S	12/2005	Shore	
D521,796 S	5/2006	Bertulis	
D523,333 S *	6/2006	Moretti	D9/444
D577,288 S	9/2008	Wilson et al.	
D615,797 S	5/2010	Berge et al.	
D626,790 S	11/2010	Gibson et al.	
D641,215 S *	7/2011	Heiberg et al.	D7/667
D643,285 S *	8/2011	Zomorodi et al.	D9/429
D651,865 S *	1/2012	Smyers	D7/630

(Continued)

- (21) Appl. No.: **29/444,823**
- (22) Filed: **Feb. 4, 2013**
- (51) **LOC (10) Cl.** **09-07**
- (52) **U.S. Cl.**
USPC **D9/435**
- (58) **Field of Classification Search**
USPC D7/323, 325, 354, 355, 356, 360, 387,
D7/543, 545, 584, 586; D9/428, 429, 435,
D9/451, 452, 500, 501, 502, 503;
D11/153; 73/427; 206/541; 220/83,
220/85 R, 90.4, 660, 694, 721, 758, 769
See application file for complete search history.

Primary Examiner — Thomas Johannes
Assistant Examiner — Leanne Thomas
 (74) *Attorney, Agent, or Firm* — Blue Filament Law PLLC;
 Avery N. Goldstein

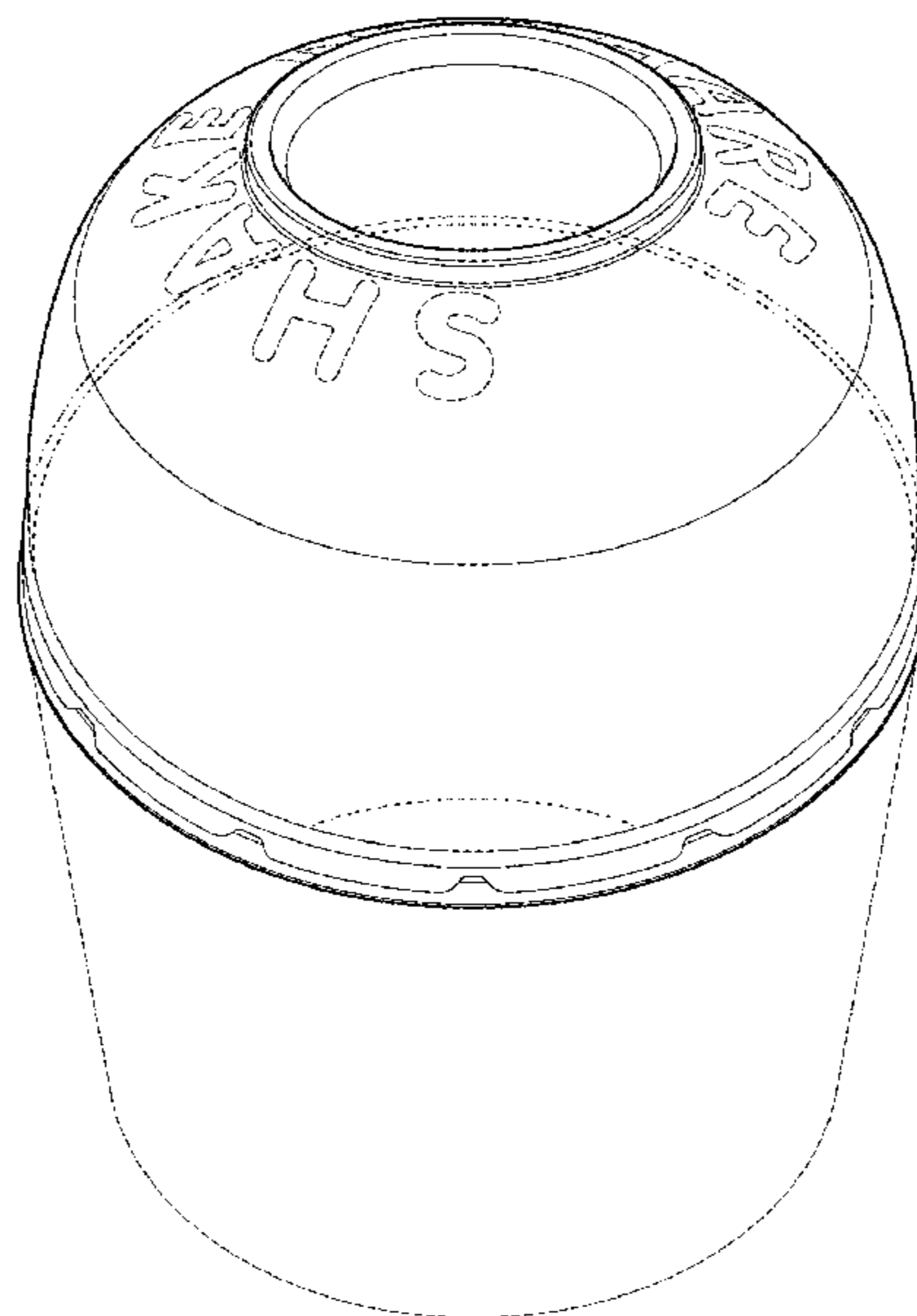
(57) **CLAIM**
 The ornamental design for a container lid, as shown and described.

DESCRIPTION

FIG. 1 is an elevated front perspective view of a container lid with a popcorn bucket shown in ghost for context, the bucket not being part of the container lid;
 FIG. 2 is a top view of the container lid depicted in FIG. 1;
 FIG. 3 is a front view of the container lid depicted in FIG. 1;
 FIG. 4 is a back view of the container lid depicted in FIG. 1;
 FIG. 5 is a side view of the container lid depicted in FIG. 1;
 FIG. 6 is an opposing side view of the container lid depicted in FIG. 1 relative to the side view depicted in FIG. 5; and,
 FIG. 7 is a bottom view of the container lid depicted in FIG. 1.
 The broken line alphanumeric characters illustrate portions of the container lid which form no part of the claimed design.

- (56) **References Cited**
 U.S. PATENT DOCUMENTS
- | | | | |
|---------------|---------|----------------------|---------|
| D48,241 S | 12/1915 | Churchill | |
| D54,981 S | 4/1920 | Churchill | |
| 2,677,947 A | 4/1950 | Van Guilder | |
| 2,673,805 A * | 3/1954 | Colman | 426/111 |
| D219,052 S | 10/1970 | Gulotta | |
| D239,999 S | 5/1976 | Christian | |
| D280,062 S * | 8/1985 | Cesaroni | D7/325 |
| 4,928,842 A | 5/1990 | Swenson | |
| 5,082,140 A | 1/1992 | Swenson | |
| D383,646 S * | 9/1997 | Jeppesen et al. | D7/584 |

1 Claim, 3 Drawing Sheets



(56)

References Cited

2011/0274804 A1 11/2011 Barrows et al.
2011/0303678 A1* 12/2011 Zomorodi et al. 220/574

U.S. PATENT DOCUMENTS

D672,236 S * 12/2012 Zomorodi et al. D9/435 * cited by examiner

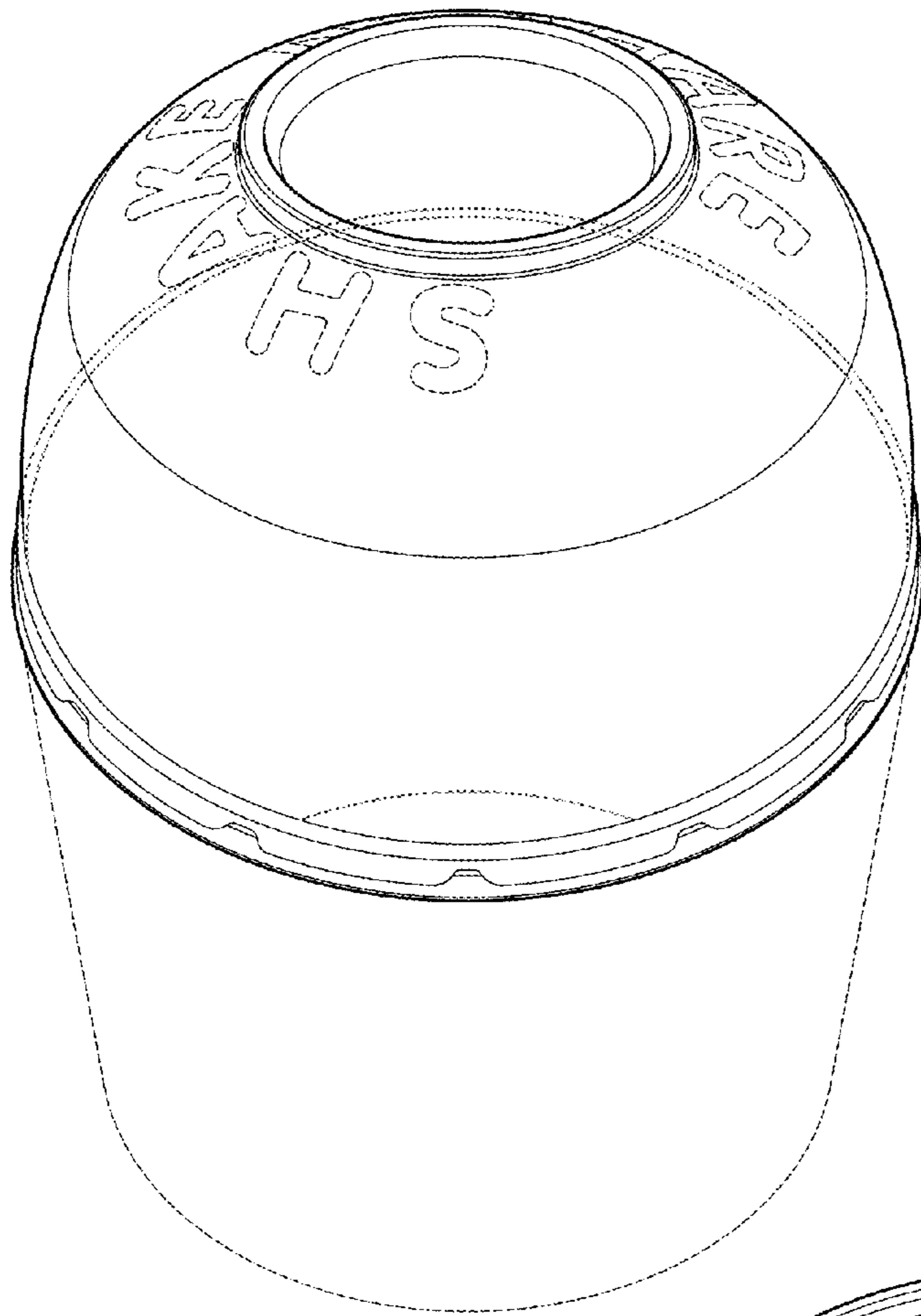


FIG. 1

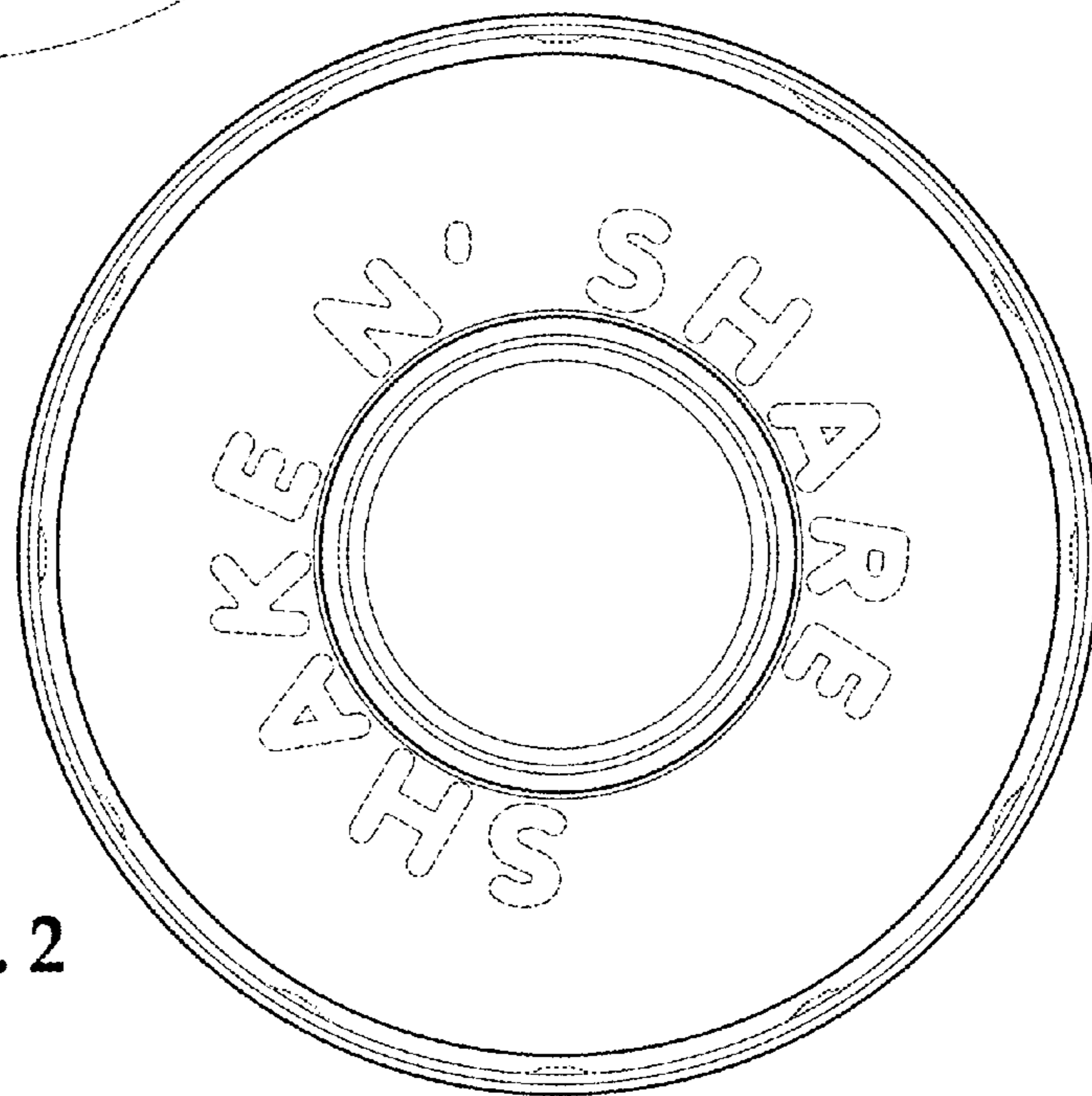


FIG. 2

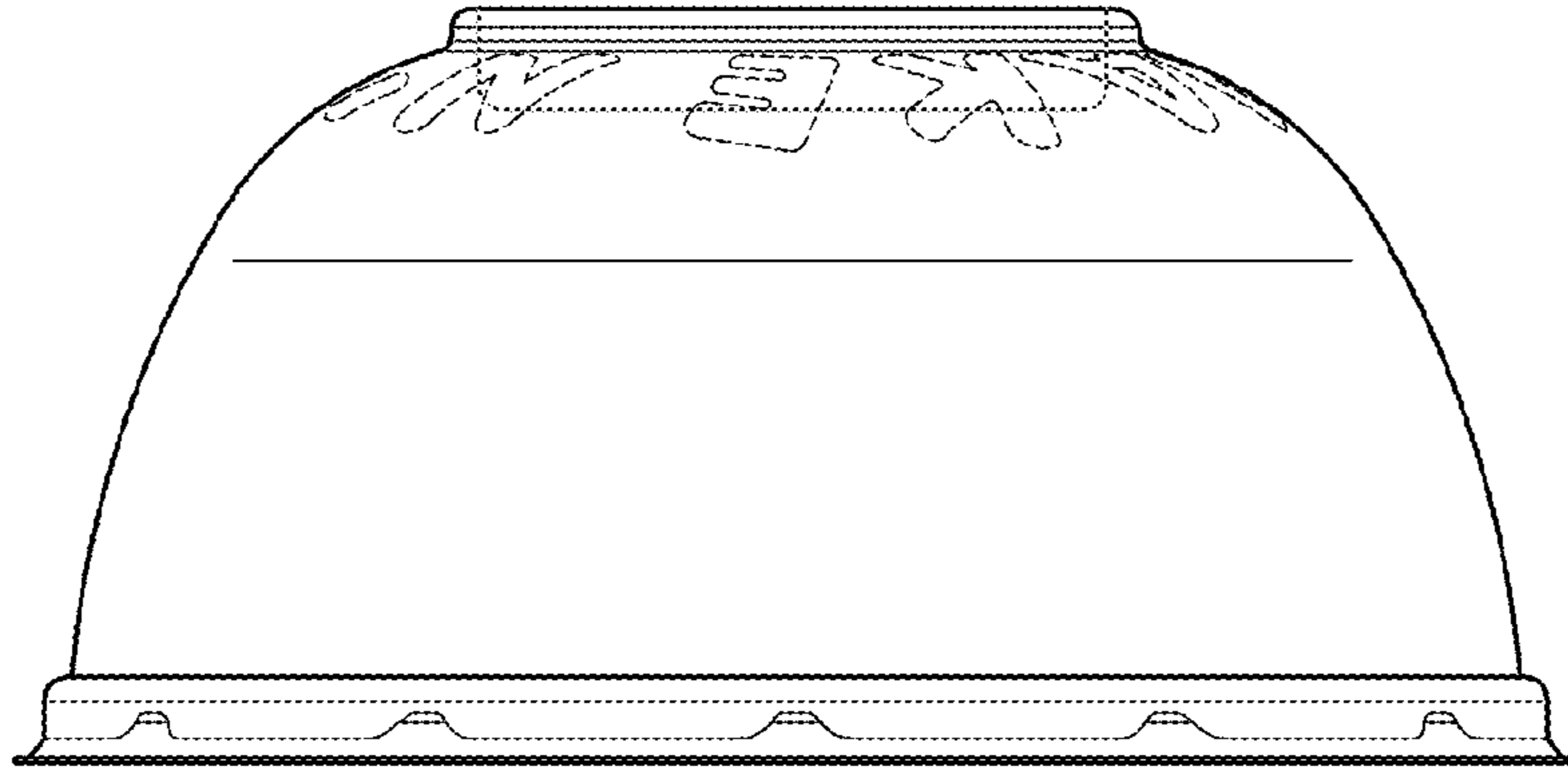


FIG. 3

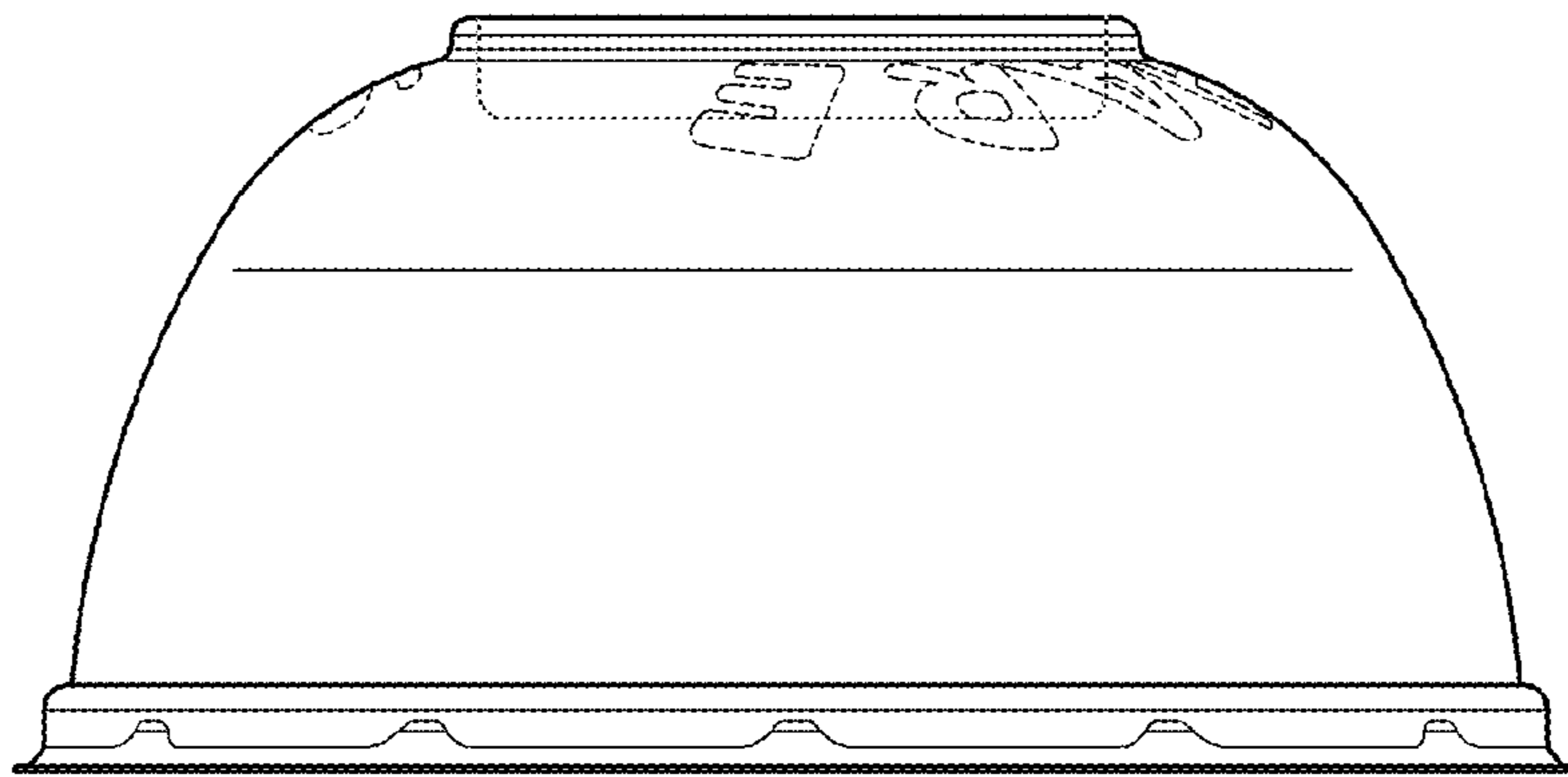


FIG. 4

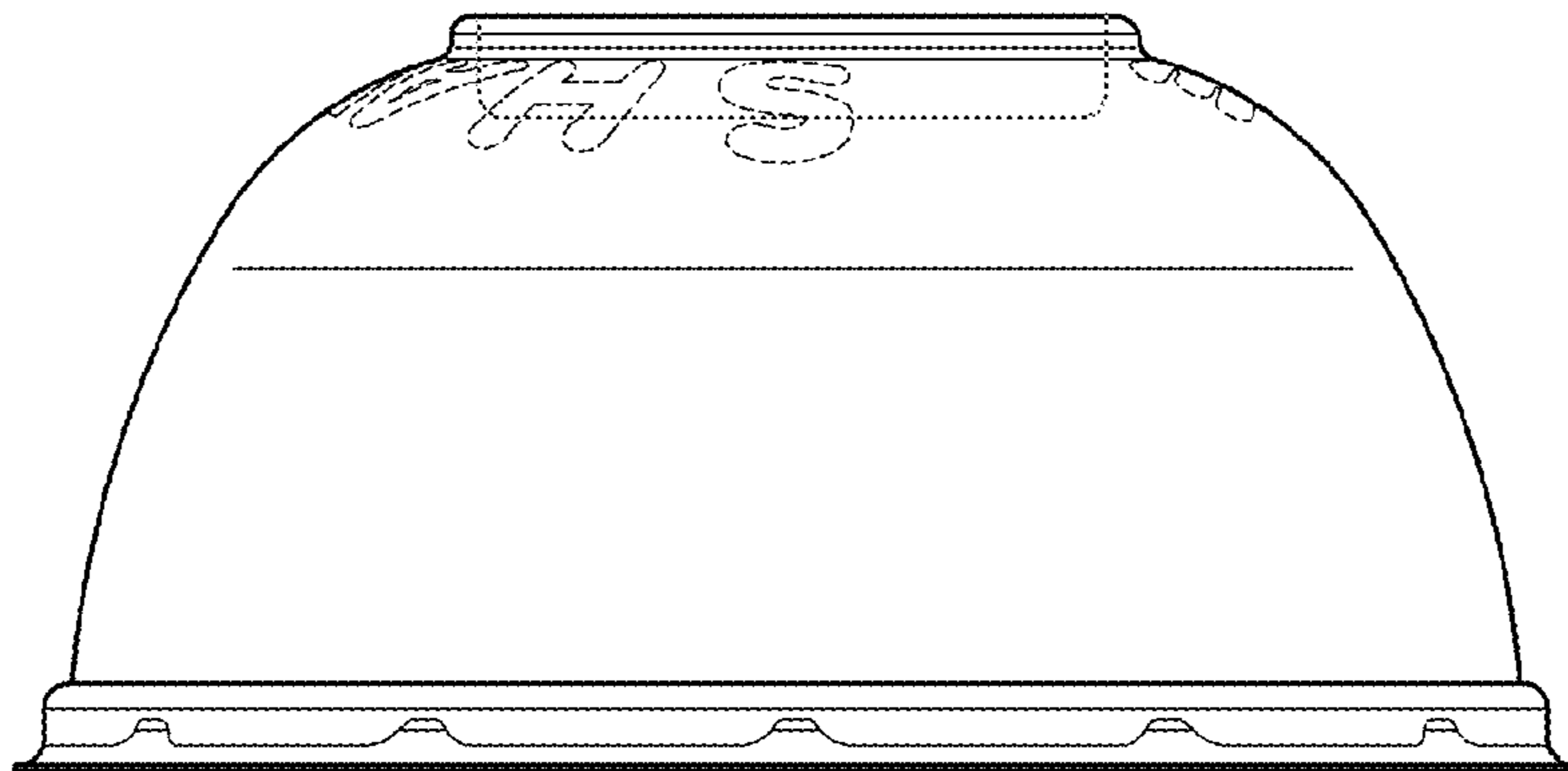


FIG. 5

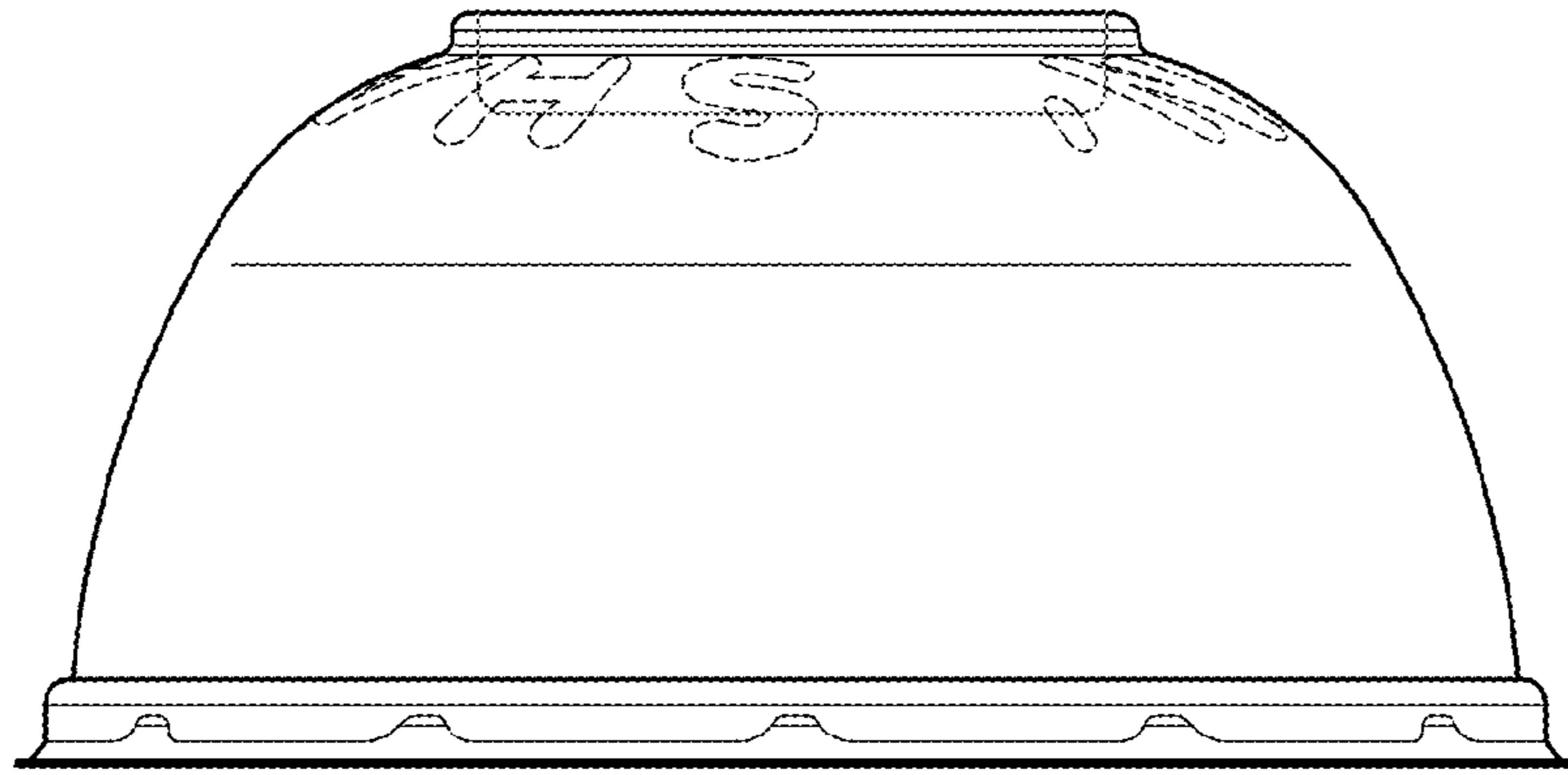


FIG. 6

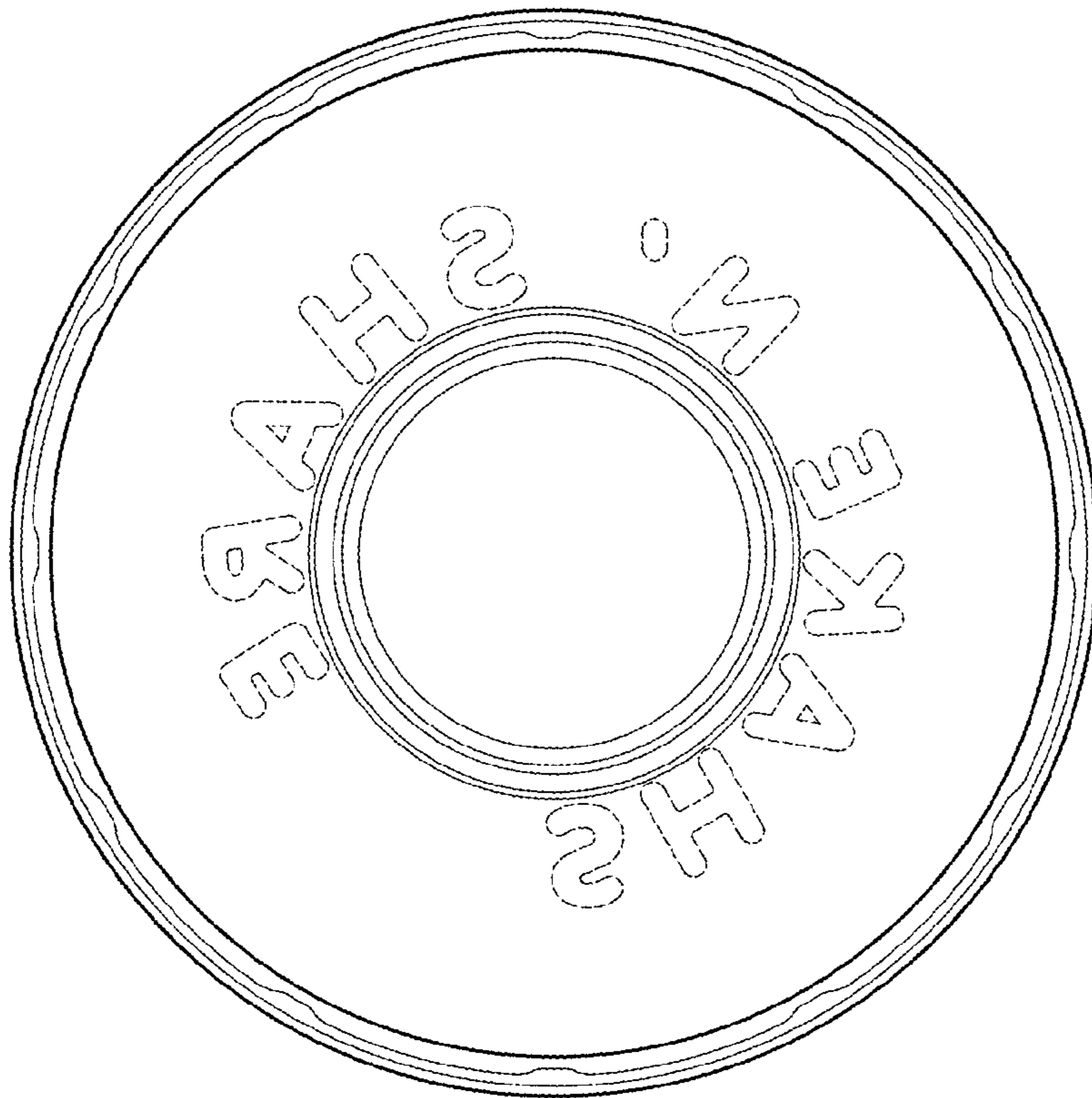


FIG. 7