



(56)

## References Cited

## U.S. PATENT DOCUMENTS

D197,313	S	1/1964	Wanderer	5,343,799	A	9/1994	Fond
3,292,527	A	12/1966	Stasse	5,347,916	A	9/1994	Fond et al.
3,336,857	A	8/1967	Knodt et al.	5,363,745	A	11/1994	Lin
3,398,836	A	8/1968	Hugentobler	5,398,595	A	3/1995	Fond et al.
3,403,617	A	10/1968	Lampe	5,398,596	A	3/1995	Fond
3,443,714	A	5/1969	Edwards	5,424,083	A	6/1995	Lotizo
3,443,715	A	5/1969	Edwards	5,440,972	A	8/1995	English
3,445,237	A	5/1969	Gidge	5,472,719	A	12/1995	Favre
D216,870	S	3/1970	Gregor	5,531,152	A	7/1996	Gardosi
D221,418	S	8/1971	Kinney	5,603,254	A	2/1997	Fond et al.
3,607,297	A	9/1971	Fasano	D379,287	S	5/1997	Carlson
3,811,373	A	5/1974	Telco	5,637,335	A	6/1997	Fond et al.
3,812,273	A	5/1974	Schmidt	5,638,741	A	6/1997	Cisaria
3,823,656	A	7/1974	Vander Veken	D381,558	S	7/1997	Schaefer et al.
3,833,740	A	9/1974	Schmidt	5,649,412	A	7/1997	Binacchi
3,878,772	A	4/1975	Nordskog	5,649,472	A	7/1997	Fond et al.
D235,246	S	6/1975	Evans et al.	5,656,311	A	8/1997	Fond
3,937,134	A	2/1976	Molenaar et al.	5,656,316	A	8/1997	Fond
3,971,305	A	7/1976	Daswick	D394,005	S	5/1998	Marijnissen
D241,228	S	8/1976	Boduch	5,762,987	A	6/1998	Fond et al.
4,075,107	A	2/1978	Smith	5,776,527	A	7/1998	Blanc
4,094,234	A	6/1978	Olney et al.	5,794,519	A	8/1998	Fischer
D248,358	S	7/1978	Thomas	5,826,492	A	10/1998	Fond et al.
4,098,177	A	7/1978	Olney et al.	5,840,189	A	11/1998	Sylvan et al.
4,133,769	A	1/1979	Morgan	D408,679	S	4/1999	Potts et al.
4,136,202	A	1/1979	Favre	5,895,672	A	4/1999	Cooper
D255,529	S	6/1980	Dziekonski	5,897,899	A	4/1999	Fond
4,206,694	A	6/1980	Moskowitz et al.	5,899,137	A	5/1999	Miller et al.
D260,243	S	8/1981	Dogliotti	5,906,844	A	5/1999	Stahli et al.
4,306,492	A	12/1981	Zimmermann	5,921,168	A	7/1999	Nello
4,321,139	A	3/1982	Auclair	5,948,455	A	9/1999	Schaeffer et al.
4,334,640	A	6/1982	van Overbruggen et al.	5,952,028	A	9/1999	Lesser
4,362,623	A	12/1982	Holopainen	D415,024	S	10/1999	McCann
4,382,402	A	5/1983	Alvarez	D415,025	S	10/1999	McCann
4,417,504	A	11/1983	Yamamoto	5,974,950	A	11/1999	King
4,452,130	A	6/1984	Klein	6,009,792	A	1/2000	Kraan
D275,179	S	8/1984	Spencer et al.	D419,821	S	2/2000	Powell et al.
4,471,689	A	9/1984	Piana	6,021,705	A	2/2000	Dijs
4,522,298	A	6/1985	Weinberger	6,024,000	A	2/2000	Goldmann, II
4,724,752	A	2/1988	Aliesch et al.	6,025,000	A	2/2000	Fond et al.
4,738,378	A	4/1988	Oakley et al.	6,062,127	A	5/2000	Klosinski et al.
4,775,048	A	10/1988	Baecchi et al.	6,068,871	A	5/2000	Fond et al.
4,800,089	A	1/1989	Scott	6,079,315	A	6/2000	Beaulieu et al.
4,818,544	A	4/1989	Seward	6,082,247	A	7/2000	Beaulicu
4,846,052	A	7/1989	Favre et al.	D429,446	S	8/2000	Toussant et al.
4,853,234	A	8/1989	Bentley et al.	6,109,168	A	8/2000	Illy et al.
4,859,337	A	8/1989	Woltermann	6,117,471	A	9/2000	King
4,867,993	A	9/1989	Nordskog	6,142,063	A	11/2000	Beaulieu et al.
4,873,915	A	10/1989	Newman et al.	6,170,386	B1	1/2001	Paul
4,875,408	A	10/1989	McGee	6,182,554	B1	2/2001	Beaulieu et al.
4,886,674	A	12/1989	Seward et al.	6,186,051	B1	2/2001	Aarts
D306,928	S	3/1990	Hanna	6,189,438	B1	2/2001	Bielfeldt et al.
D306,974	S	4/1990	Tholstrup	D438,794	S	3/2001	Miles et al.
4,920,870	A	5/1990	Newman et al.	6,240,832	B1	6/2001	Schmed et al.
4,921,712	A	5/1990	Malmquist	6,245,371	B1	6/2001	Gutwein et al.
4,975,292	A	12/1990	Loizzi	D445,674	S	7/2001	Pritchett
4,990,352	A	2/1991	Newman et al.	D445,677	S	7/2001	Lindsay et al.
5,043,172	A	8/1991	Loizzi	6,289,948	B1	9/2001	Jeannin et al.
5,072,660	A	12/1991	Helbling	D450,240	S	11/2001	Haag et al.
5,082,676	A	1/1992	Love et al.	D452,433	S	12/2001	Lazaris
5,108,768	A	4/1992	So	D452,434	S	12/2001	Sweeney
5,134,924	A	8/1992	Vicker	6,347,725	B1	2/2002	Yoakim et al.
5,150,645	A	9/1992	Schiettecatte	6,358,545	B1	3/2002	Chandler et al.
5,178,058	A	1/1993	van Dort et al.	6,405,637	B1	6/2002	Cai
5,197,374	A	3/1993	Fond	6,440,256	B1	8/2002	Gordon et al.
5,242,702	A	9/1993	Fond	D462,865	S	9/2002	Honan et al.
5,243,164	A	9/1993	Erickson et al.	D462,900	S	9/2002	Yamada et al.
5,259,295	A	11/1993	Timm	D465,154	S	11/2002	O'Brien
D342,447	S	12/1993	Aylward	6,499,388	B2	12/2002	Schmed
5,272,960	A	12/1993	Kinna	D474,110	S	5/2003	Sweeney
5,279,442	A	1/1994	Jentzsch et al.	D474,111	S	5/2003	Lazaris
5,287,797	A	2/1994	Grykiewicz et al.	6,589,577	B2	7/2003	Lazaris et al.
5,298,267	A	3/1994	Gruenbacher	6,606,938	B2	8/2003	Taylor
5,325,765	A	7/1994	Sylvan et al.	6,607,762	B2	8/2003	Lazaris et al.
5,327,815	A	7/1994	Fond et al.	6,612,224	B2	9/2003	Mercier et al.
				6,644,173	B2	11/2003	Lazaris et al.
				6,645,537	B2	11/2003	Sweeney et al.
				6,655,260	B2	12/2003	Lazaris et al.
				6,658,989	B2	12/2003	Sweeney et al.

(56)

References Cited

U.S. PATENT DOCUMENTS

6,666,130 B2	12/2003	Taylor et al.	8,168,247 B2	5/2012	Halliday et al.	
6,672,200 B2	1/2004	Duffy et al.	8,307,754 B2	11/2012	Ternite et al.	
6,698,228 B2	3/2004	Kateman et al.	8,361,527 B2	1/2013	Winkler et al.	
6,698,333 B2	3/2004	Halliday et al.	8,425,964 B2	4/2013	Dogliani Majer	
6,708,600 B2	3/2004	Winkler et al.	D682,675 S *	5/2013	Rapparini .....	D9/429
D489,215 S	5/2004	Honan et al.	D685,631 S *	7/2013	Rapparini .....	D9/429
6,740,345 B2	5/2004	Cai	D689,768 S *	9/2013	Inderbitzin .....	D9/429
6,758,130 B2	7/2004	Sargent et al.	2001/0047724 A1	12/2001	Lazaris et al.	
6,786,134 B2	9/2004	Green	2001/0048957 A1	12/2001	Lazaris et al.	
6,786,136 B2	9/2004	Cirigliano et al.	2002/0015768 A1	2/2002	Masek et al.	
6,810,788 B2	11/2004	Hale	2002/0020659 A1	2/2002	Sweeney et al.	
6,832,542 B2	12/2004	Hu et al.	2002/0023543 A1	2/2002	Schmed	
6,849,285 B2	2/2005	Masek et al.	2002/0048621 A1	4/2002	Boyd et al.	
D502,362 S	3/2005	Lazaris et al.	2002/0078831 A1	6/2002	Cai	
D506,926 S	7/2005	Halliday et al.	2002/0088807 A1	7/2002	Perkovic et al.	
6,935,222 B2	8/2005	Chen et al.	2002/0121197 A1	9/2002	Mercier et al.	
6,941,855 B2	9/2005	Denisart et al.	2002/0121198 A1	9/2002	Kollep et al.	
6,948,420 B2	9/2005	Kirschner et al.	2002/0129712 A1	9/2002	Westbrook et al.	
D510,679 S	10/2005	Smith et al.	2002/0134249 A1	9/2002	Melton	
D513,152 S	12/2005	Cahen	2002/0144603 A1	10/2002	Taylor	
D513,572 S	1/2006	Schaffeld et al.	2002/0144604 A1	10/2002	Winkler et al.	
D520,185 S	5/2006	Zeng et al.	2002/0148356 A1	10/2002	Lazaris et al.	
7,063,238 B2	6/2006	Hale	2002/0148357 A1	10/2002	Lazaris et al.	
7,165,488 B2	1/2007	Bragg et al.	2002/0185010 A1	12/2002	Spiteri	
D539,643 S	4/2007	Abel	2003/0005826 A1	1/2003	Sargent et al.	
7,213,506 B2	5/2007	Halliday et al.	2003/0039731 A1	2/2003	Dalton et al.	
7,219,598 B2	5/2007	Halliday et al.	2003/0056655 A1	3/2003	Kollep et al.	
D544,299 S	6/2007	Schaffeld et al.	2003/0066431 A1	4/2003	Fanzutti et al.	
7,243,598 B2	7/2007	Halliday et al.	2003/0145736 A1	8/2003	Green	
7,255,039 B2	8/2007	Halliday et al.	2003/0172813 A1	9/2003	Schifferle	
7,287,461 B2	10/2007	Halliday et al.	2003/0217643 A1	11/2003	Masek et al.	
7,308,851 B2	12/2007	Halliday et al.	2003/0222089 A1	12/2003	Hale	
7,322,277 B2	1/2008	Halliday et al.	2004/0045443 A1	3/2004	Lazaris et al.	
7,325,479 B2	2/2008	Laigneau et al.	2004/0163543 A1	8/2004	Hu et al.	
7,328,651 B2	2/2008	Halliday et al.	2004/0228955 A1	11/2004	Denisart et al.	
7,335,387 B2	2/2008	Hayes et al.	2005/0051478 A1	3/2005	Karanikos et al.	
7,347,138 B2	3/2008	Bragg et al.	2005/0150390 A1	7/2005	Schifferle	
7,360,418 B2	4/2008	Pelovitz	2005/0172822 A1	8/2005	Macchi et al.	
7,377,162 B2	5/2008	Lazaris	2005/0183581 A1	8/2005	Kirschner et al.	
7,398,726 B2	7/2008	Streeter et al.	2005/0205601 A1	9/2005	Taylor	
7,418,899 B2	9/2008	Halliday et al.	2005/0217213 A1	10/2005	Lozinski et al.	
7,444,925 B2	11/2008	Mahlich	2005/0223904 A1	10/2005	Laigneau et al.	
7,490,542 B2	2/2009	Macchi et al.	2005/0237793 A1	10/2005	Min et al.	
7,513,192 B2	4/2009	Sullivan et al.	2005/0241489 A1	11/2005	Kirschner et al.	
7,523,695 B2	4/2009	Streeter et al.	2005/0266122 A1	12/2005	Franceschi	
D592,529 S	5/2009	Friebe et al.	2005/0287251 A1	12/2005	Lazaris et al.	
7,533,603 B2	5/2009	Halliday et al.	2006/0107841 A1	5/2006	Schifferle	
7,533,604 B2	5/2009	Halliday et al.	2006/0174773 A1	8/2006	Taylor	
7,552,672 B2	6/2009	Schmed	2006/0236871 A1	10/2006	Ternite et al.	
7,604,826 B2	10/2009	Denisart et al.	2006/0292012 A1	12/2006	Brudevold et al.	
D605,502 S	12/2009	Honda et al.	2007/0186784 A1	8/2007	Liverani	
D606,363 S	12/2009	Aardenburg	2008/0095904 A1	4/2008	Sullivan et al.	
7,640,843 B2	1/2010	Halliday et al.	2008/0115674 A1	5/2008	Huang et al.	
7,640,845 B2	1/2010	Woodnorth et al.	2008/0134902 A1	6/2008	Zimmerman et al.	
7,658,141 B2	2/2010	Masek et al.	2008/0264267 A1	10/2008	Dogliani	
D621,698 S	8/2010	Cometto	2009/0007792 A1	1/2009	Glucksman	
7,793,585 B2	9/2010	Rasmussen et al.	2009/0007793 A1	1/2009	Glucksman et al.	
7,815,953 B2	10/2010	Mastropasqua et al.	2009/0175986 A1	7/2009	Majer	
D628,476 S	12/2010	Vang	2009/0220650 A1	9/2009	Ozanne	
D628,883 S	12/2010	Stephens	2010/0006205 A1	1/2010	McCowin et al.	
7,921,766 B2	4/2011	Halliday et al.	2010/0024658 A1	2/2010	Jacobs et al.	
D637,484 S	5/2011	Winkler	2010/0028495 A1	2/2010	Novak et al.	
D638,290 S	5/2011	Cimmerer et al.	2010/0043644 A1	2/2010	Suggi et al.	
D640,100 S	6/2011	Shing	2010/0043645 A1	2/2010	Suggi et al.	
D640,547 S	6/2011	Guillemin et al.	2010/0064899 A1	3/2010	Aardenburg	
D641,592 S	7/2011	Davis	2010/0072268 A1	3/2010	Johnson et al.	
D642,454 S	8/2011	Santoiemmo	2010/0239733 A1	9/2010	Yoakim et al.	
D645,340 S	9/2011	Menard et al.	2010/0288131 A1	11/2010	Kilber et al.	
8,025,210 B2	9/2011	Johnson et al.	2010/0303964 A1	12/2010	Beaulieu et al.	
D647,398 S	10/2011	Winkler	2011/0030563 A9	2/2011	Dogliani	
D647,399 S	10/2011	Winkler	2011/0076361 A1	3/2011	Peterson et al.	
D649,870 S	12/2011	Cometto	2011/0097450 A1	4/2011	Kruger	
8,109,200 B2	2/2012	Hansen	2011/0151075 A1	6/2011	Peterson	
8,151,694 B2	4/2012	Jacobs et al.	2011/0200726 A1	8/2011	Tinkler et al.	
D658,493 S	5/2012	Cometto	2011/0212225 A1*	9/2011	Mariller .....	426/80
			2011/0226343 A1	9/2011	Novak et al.	
			2011/0274802 A1	11/2011	Rivera	
			2012/0006205 A1	1/2012	Vanni	
			2012/0118166 A1	5/2012	Macchi	

(56)

**References Cited**

U.S. PATENT DOCUMENTS

2012/0308688 A1 12/2012 Peterson et al.  
 2012/0318810 A1 12/2012 Hodge et al.  
 2012/0321756 A1 12/2012 Estabrook et al.  
 2013/0059039 A1 3/2013 Trombetta et al.  
 2013/0101716 A1 4/2013 Beaulieu et al.

FOREIGN PATENT DOCUMENTS

CA 2701826 1/2009  
 DE 2029552 12/1971  
 DE 3432339 3/1986  
 EP 0272922 6/1988  
 EP 0334571 9/1989  
 EP 0334572 9/1989  
 EP 0451980 10/1991  
 EP 0455337 11/1991  
 EP 0524464 1/1993  
 EP 554469 8/1993  
 EP 0638486 2/1995  
 EP 1042978 10/2000  
 EP 1208782 5/2002  
 EP 1255685 11/2002  
 EP 1440644 7/2004  
 EP 1440913 7/2004  
 EP 1529739 5/2005  
 EP 1580143 9/2005  
 EP 1792849 6/2007  
 EP 2119640 11/2009  
 EP 2230195 9/2010  
 EP 2239212 10/2010  
 EP 2284102 2/2011  
 EP 2287090 2/2011  
 EP 2404844 1/2012  
 FR 2946854 12/2010  
 GB 838829 6/1960  
 GB 2023086 12/1979  
 GB 2488799 9/2012  
 GB 2489409 10/2012  
 GB 2491154 11/2012  
 JP 2000355375 12/2000  
 JP 2001061663 3/2001  
 JP 2009517158 4/2009  
 WO 0158786 8/2001  
 WO 0160219 8/2001

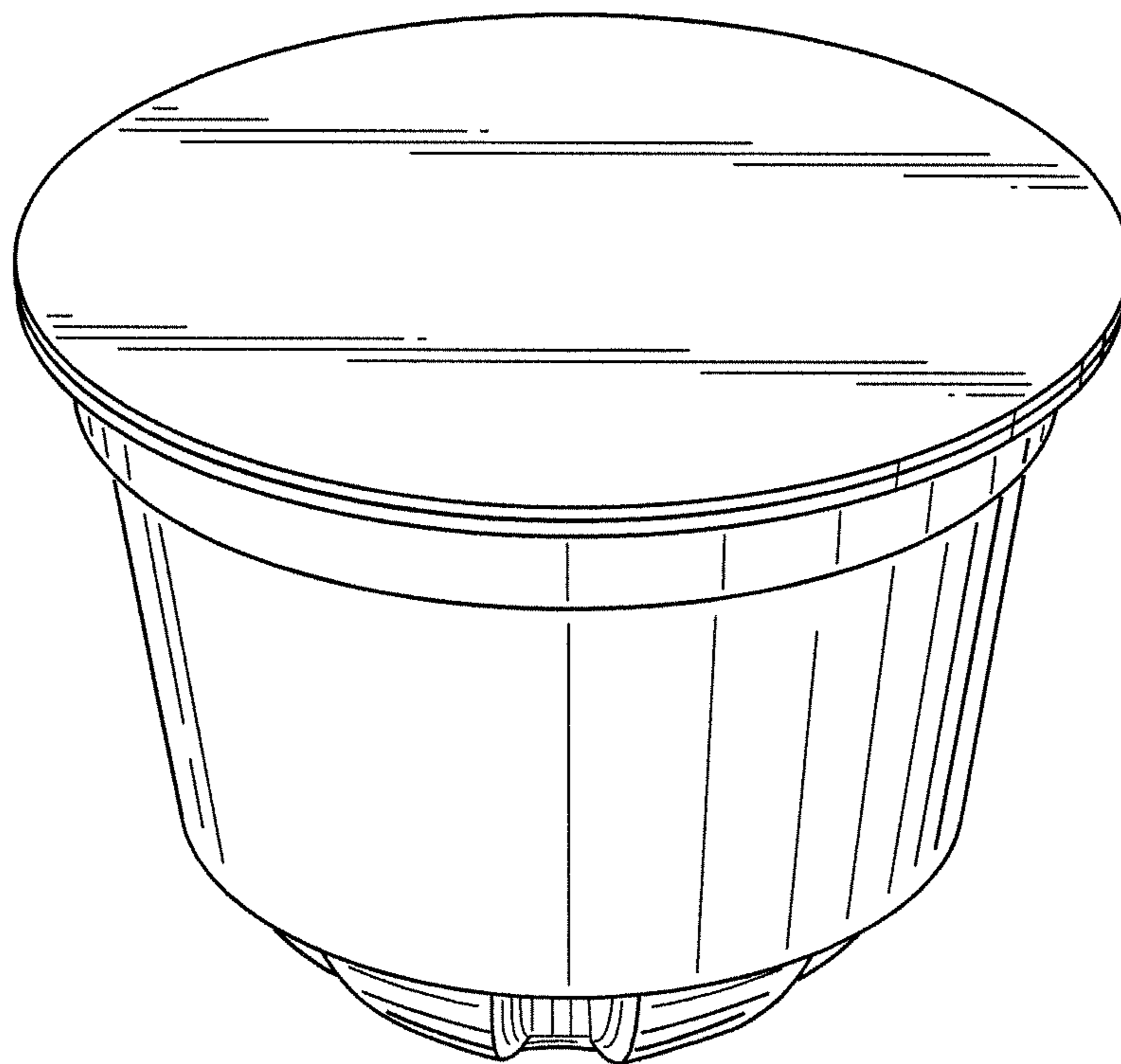
WO 0160220 8/2001  
 WO 0160712 8/2001  
 WO 02058522 8/2002  
 WO 02074143 9/2002  
 WO 02074661 9/2002  
 WO 02082962 10/2002  
 WO 03059778 7/2003  
 WO 03073896 9/2003  
 WO 2004006740 1/2004  
 WO 2004083071 9/2004  
 WO 2006008243 1/2006  
 WO 2006030461 3/2006  
 WO 2007095294 8/2007  
 WO 2007122144 11/2007  
 WO 2008116818 10/2008  
 WO 2008136026 11/2008  
 WO 2009110783 9/2009  
 WO 2009115475 9/2009  
 WO 2010138563 2/2010  
 WO 2010038213 4/2010  
 WO 2010046923 4/2010  
 WO 2010085824 5/2010  
 WO 2010093246 8/2010  
 WO 2010106516 9/2010  
 WO 2010115970 10/2010  
 WO 2010128844 11/2010  
 WO 2010134036 11/2010  
 WO 2010137952 12/2010  
 WO 2012122329 9/2012  
 WO 2012127233 9/2012  
 WO 2012160342 11/2012

OTHER PUBLICATIONS

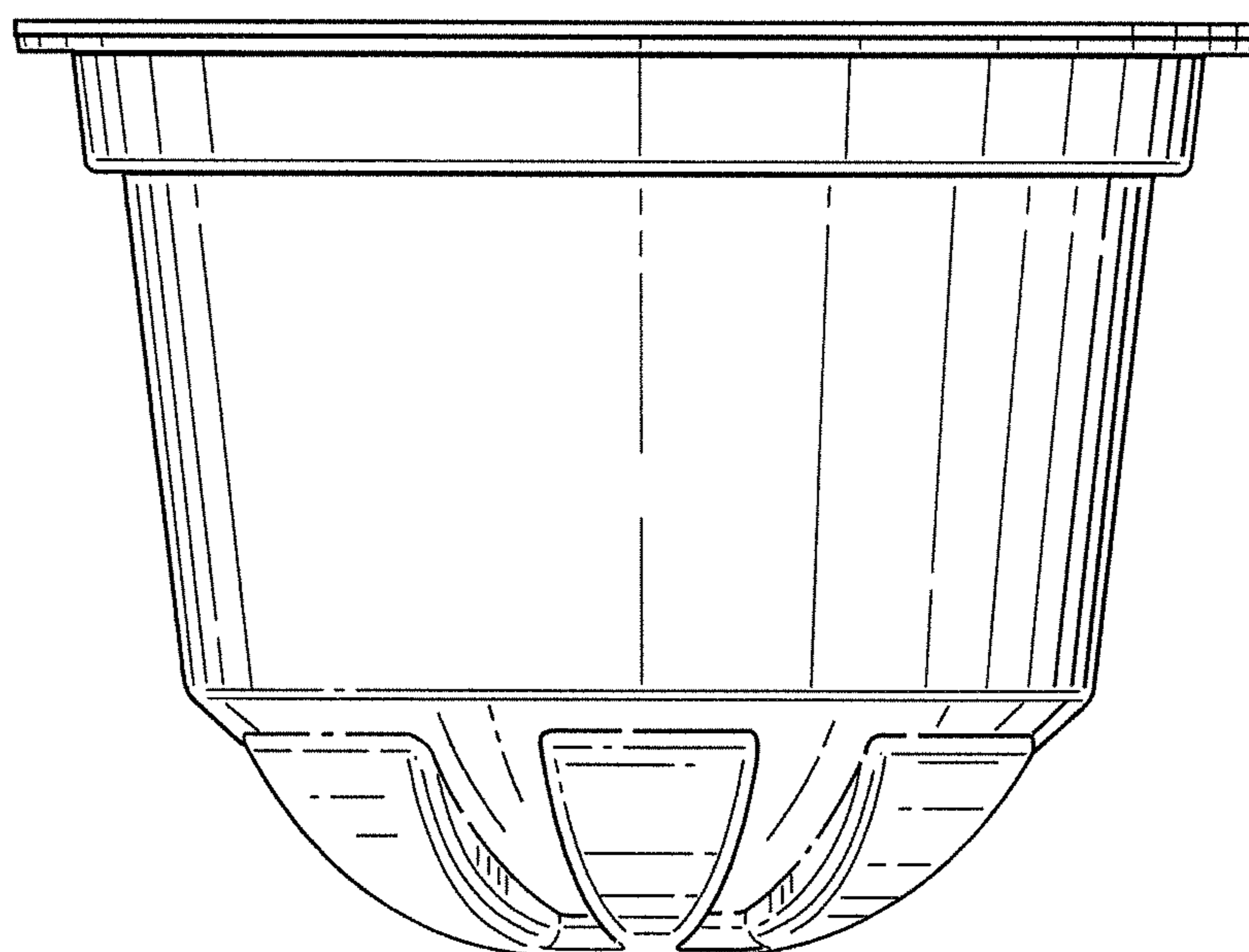
U.S. Appl. No. 13/612,487, filed Sep. 12, 2012, entitled Cartridges, Systems and Methods for Preparation of Beverages, 30 page.  
 U.S. Appl. No. 29/431,998, filed Sep. 12, 2012, entitled "Beverage Cartridge," 9 pages.  
 U.S. Appl. No. 29/431,718, filed Sep. 10, 2012, entitled "Beverage Cartridge," 18 pages.  
 U.S. Appl. No. 29/433,078, filed Sep. 25, 2012, entitled "Beverage Cartridge," 13 pages.  
 U.S. Appl. No. 29/431,716, filed Sep. 10, 2012, entitled "Beverage Cartridge," 12 pages.  
 U.S. Appl. No. 29/461,867, filed Jul. 29, 2013, entitled "Beverage Cartridge," 8 pages.

\* cited by examiner

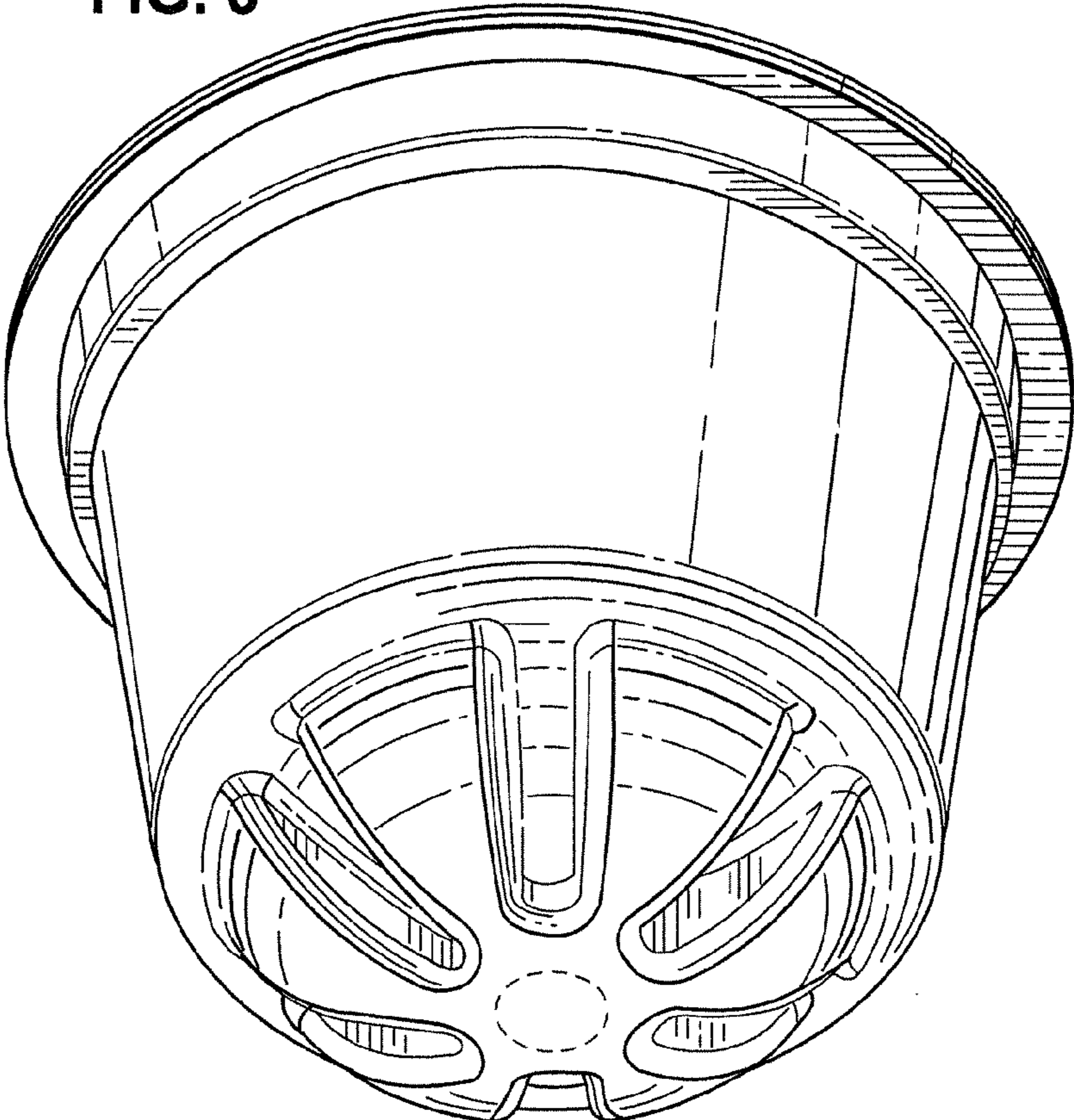
**FIG. 1**



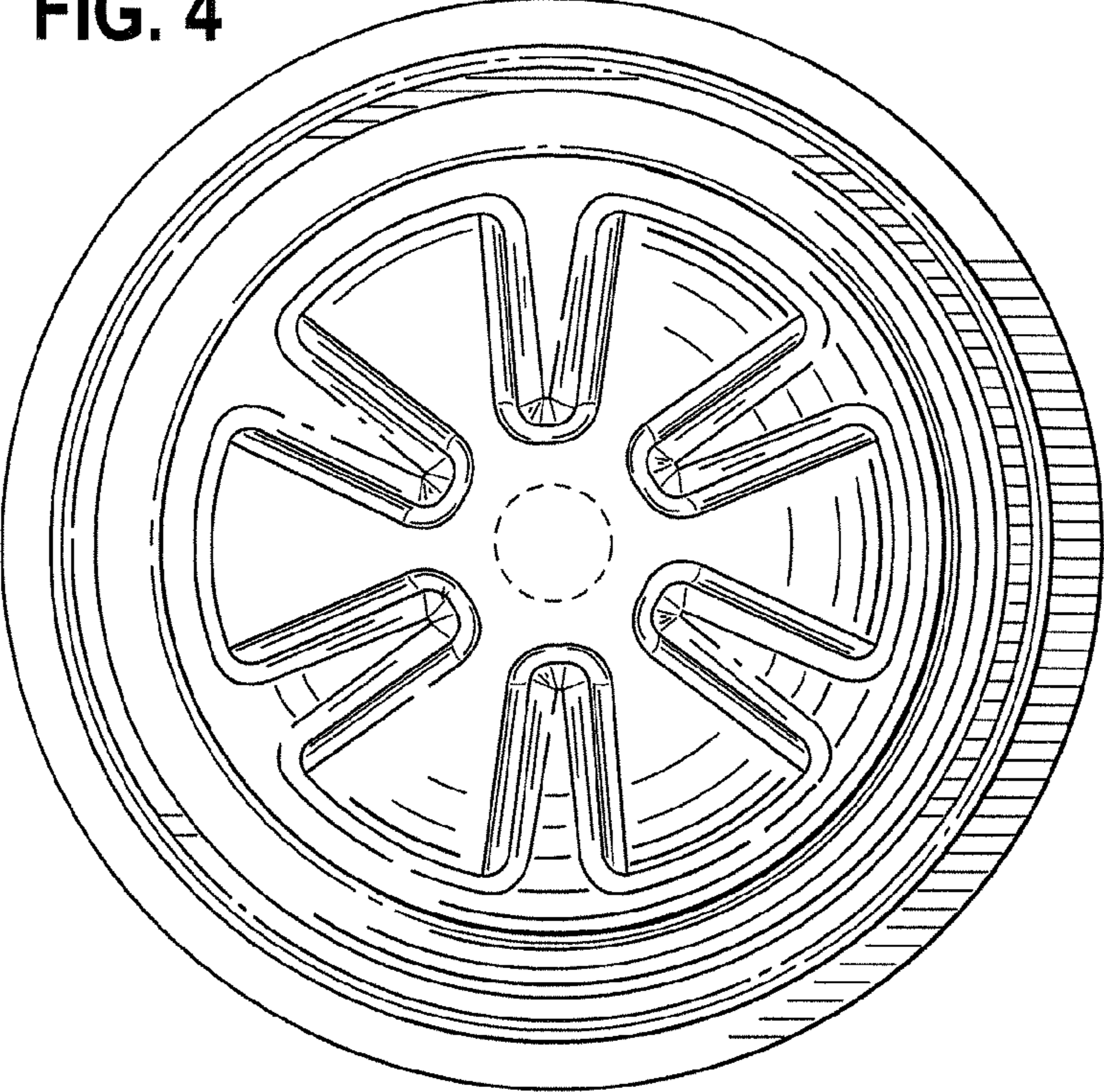
**FIG. 2**



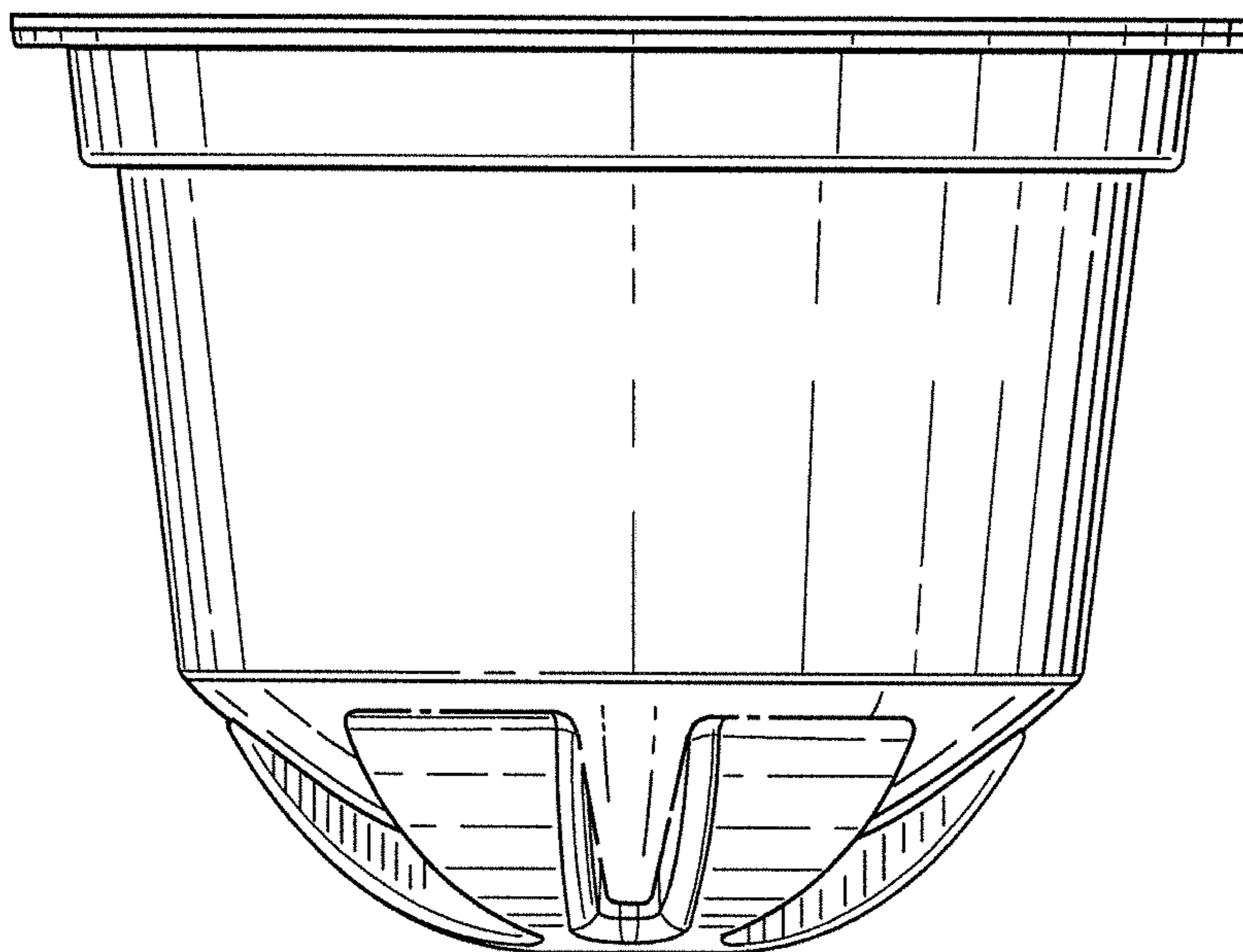
**FIG. 3**



**FIG. 4**



**FIG. 5**



**FIG. 6**

