



US00D703038S

(12) **United States Design Patent**
McAdam

(10) **Patent No.:** **US D703,038 S**
(45) **Date of Patent:** **** Apr. 22, 2014**

(54) **FOLDING RIGID BOX**

229/395, 938, 902, 409, 125.05, 116.1, 8,
229/22, 909, 241; D21/108; D11/142

(71) Applicant: **Leo Paper Bags Manufacturing (1982) Limited**, Kowloon (HK)

See application file for complete search history.

(72) Inventor: **Christine McAdam**, Redondo Beach, CA (US)

(56) **References Cited**

(73) Assignee: **Leo Paper Bags Manufacturing (1982) Limited**, Kowloon, Hong Kong (CN)

U.S. PATENT DOCUMENTS

(**) Term: **14 Years**

588,059	A *	8/1897	Frothingham	229/152
918,138	A *	4/1909	Flora	229/122.31
1,121,949	A *	12/1914	Surmann	229/122.32
D105,355	S	7/1937	Herz		
3,184,140	A *	5/1965	Peterson	229/122.21
5,516,038	A *	5/1996	Zaccarini	229/162.2
D477,217	S	7/2003	Riedi		
7,070,055	B2 *	7/2006	Lechanoine et al.	206/581
D568,733	S *	5/2008	DuBois et al.	D9/418

(21) Appl. No.: **29/468,476**

(22) Filed: **Sep. 30, 2013**

(Continued)

Related U.S. Application Data

Primary Examiner — Robert M Spear

(62) Division of application No. 29/433,427, filed on Sep. 28, 2012.

Assistant Examiner — Rhea Shields

(51) **LOC (10) Cl.** **09-03**

(74) *Attorney, Agent, or Firm* — Perkins Coie LLP

(52) **U.S. Cl.**
USPC **D9/418**

(57) **CLAIM**

(58) **Field of Classification Search**

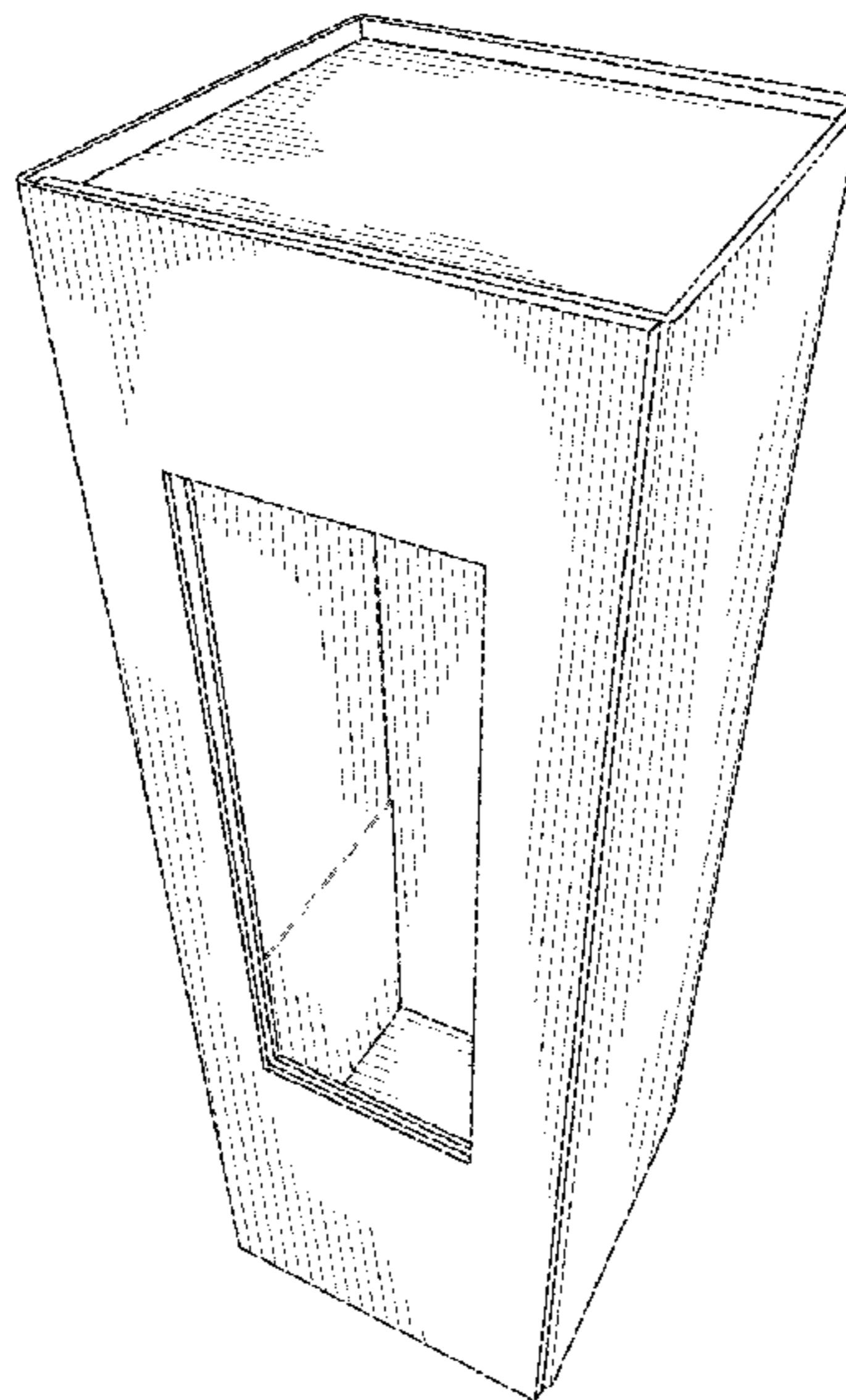
USPC D9/346, 414–418, 424, 425, 423, 428, D9/429, 431–436, 445, 452–454, 499, 500, D9/504, 516, 519, 522, 529, 535, 537, 545, D9/546, 551, 571, 672, 675, 702, 711, 712, D9/713, 715, 721, 722, 737, 748, 756, 759, D9/740, 743, 745, 749; 206/733, 757, 763, 206/766, 45.21, 476, 769, 773, 775–778, 206/395, 397–398, 223, 736, 756, 495, 349, 206/760, 541, 784; 229/87.06, 92.3, 103.2, 229/103.3, 100, 104, 114, 117, 117.08, 229/117.05, 120.1, 120.04, 120.13, 120.14, 229/120.23, 120.27, 120.29, 122.2, 122, 229/122.27, 122.31, 122.32, 161, 123, 229/125.15, 132, 131.1, 160, 172, 174, 229/185.1, 162.4, 162.1, 162.3, 162.7, 107,

The ornamental design for the folding rigid box, as shown and described.

DESCRIPTION

FIG. 1 is a front-top perspective view showing my new design in a first configuration.
FIG. 2 is a left side view thereof in the first configuration. The right side view is a mirror image thereof.
FIG. 3 is a front view thereof in the first configuration. The rear view is a mirror image thereof.
FIG. 4 is a front view thereof in a second configuration.
FIG. 5 is a rear view thereof in the second configuration.
FIG. 6 is a top view thereof in the first configuration; and, FIG. 7 is a bottom view thereof in the first configuration.
The broken line portion of the figure drawings is included to show unclaimed subject matter only and forms no part of the claimed design.

1 Claim, 5 Drawing Sheets



(56)

References Cited

U.S. PATENT DOCUMENTS

D604,602 S * 11/2009 Kohno D9/418
7,780,004 B2 * 8/2010 Carlozzi et al. 206/443

D671,401 S 11/2012 Grabes et al.
D672,640 S 12/2012 Boissinot et al.
D678,761 S 3/2013 Cooper
D689,360 S 9/2013 Adams

* cited by examiner

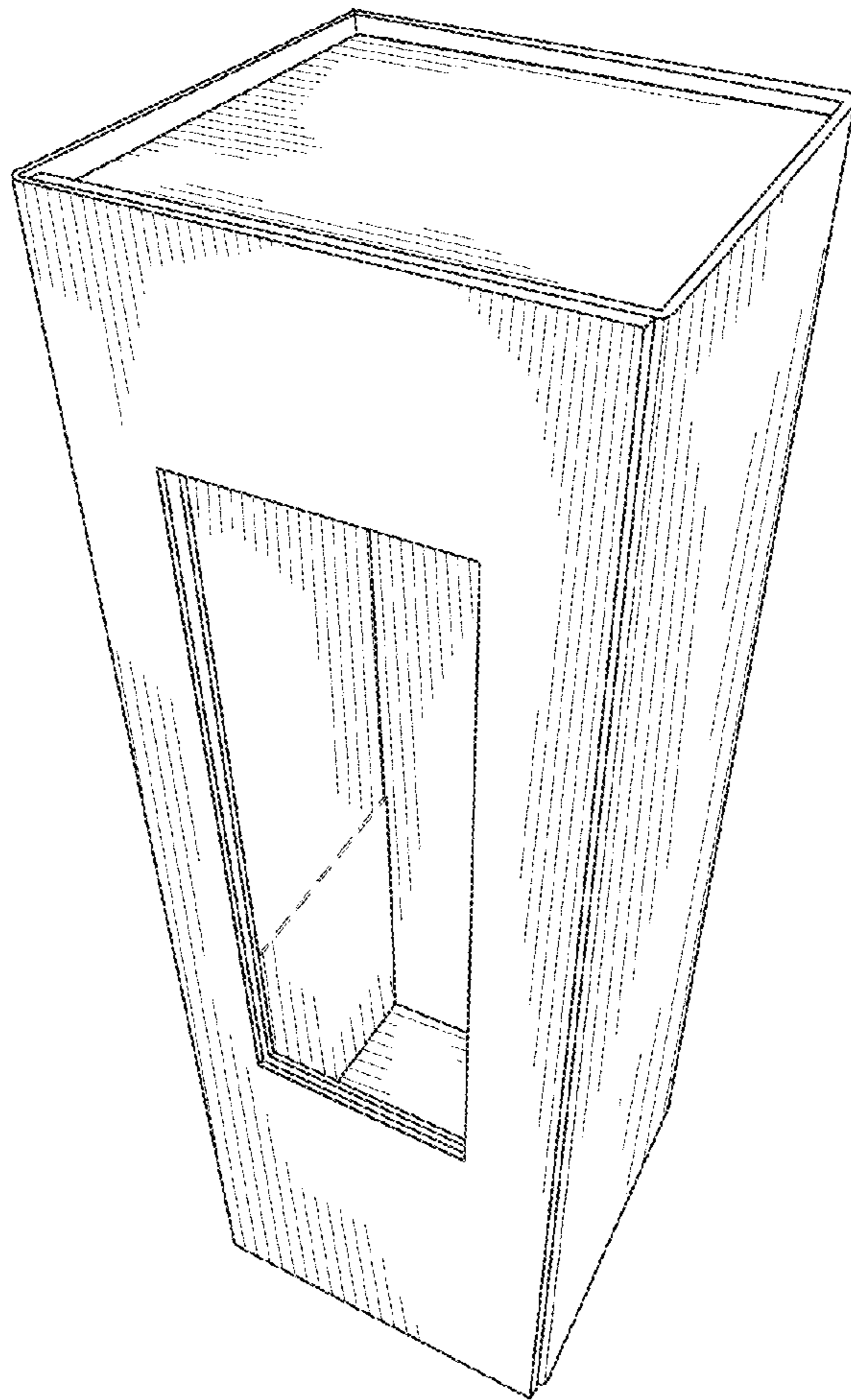


FIG. 1

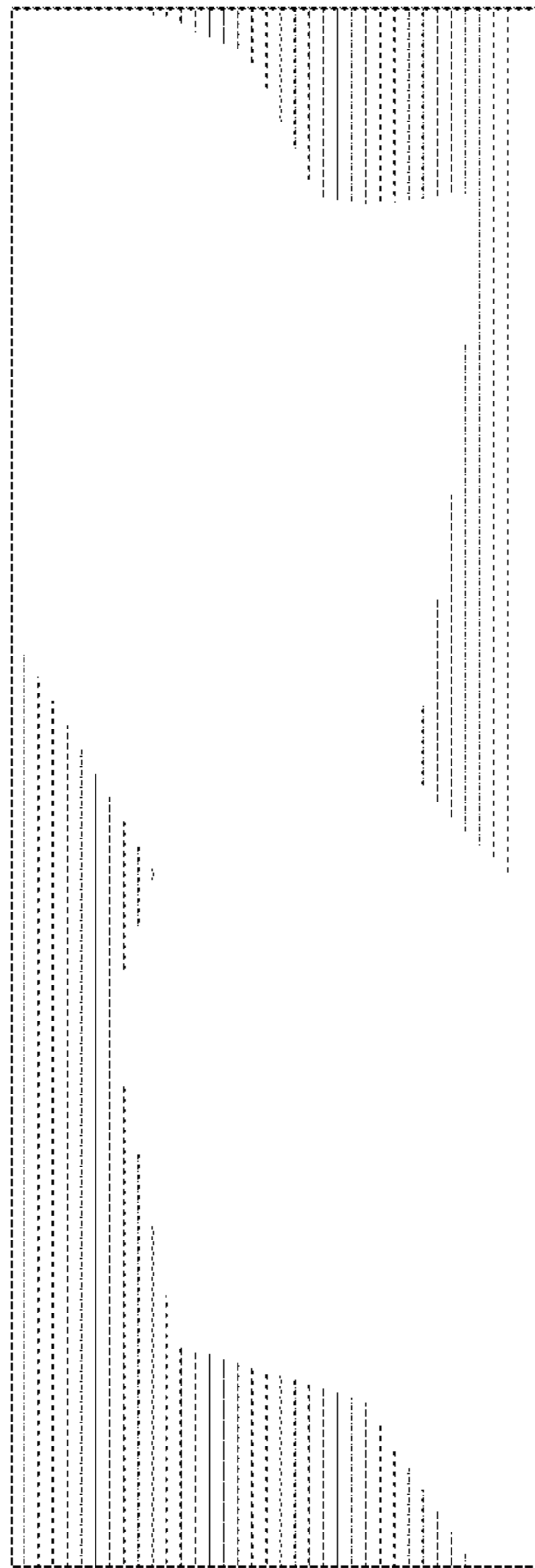


FIG. 2

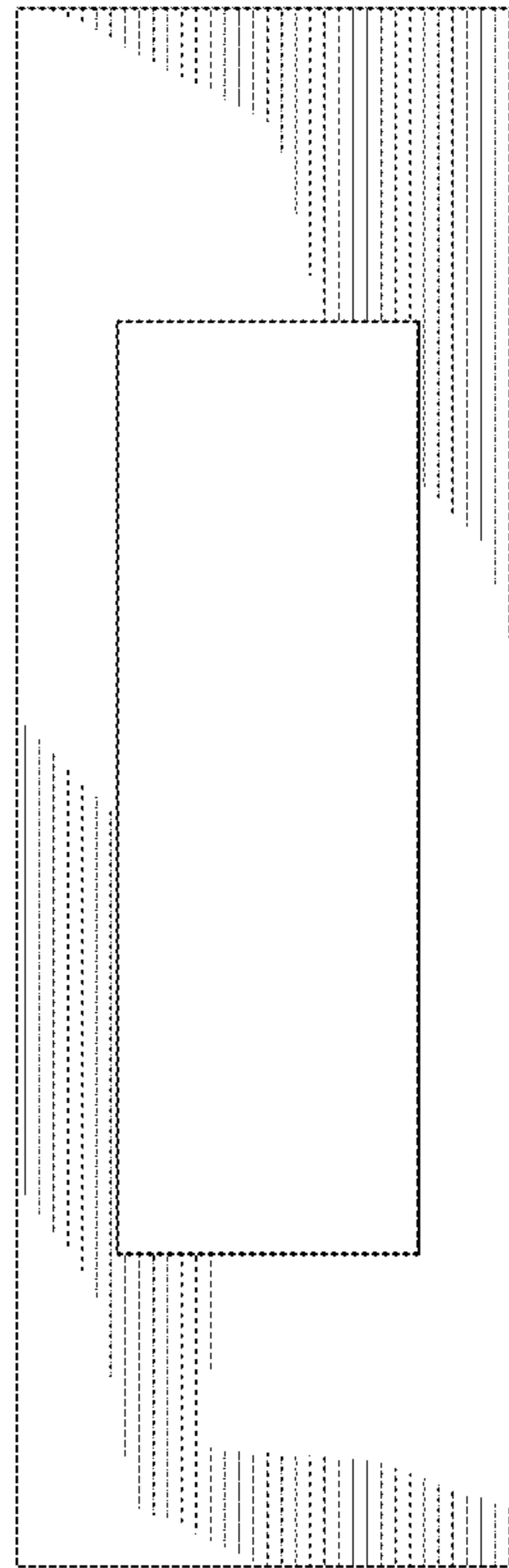


FIG. 3

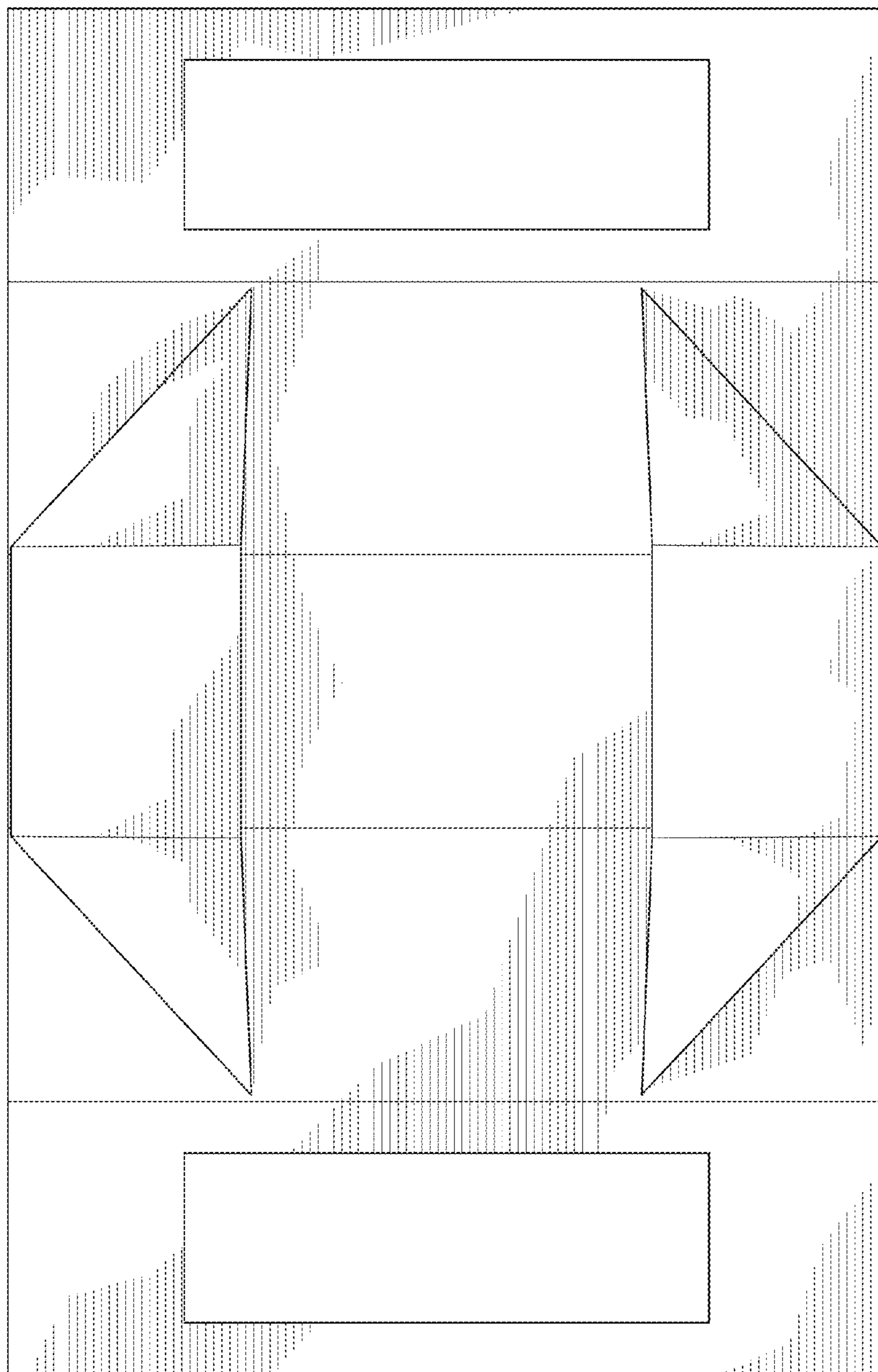


FIG. 4

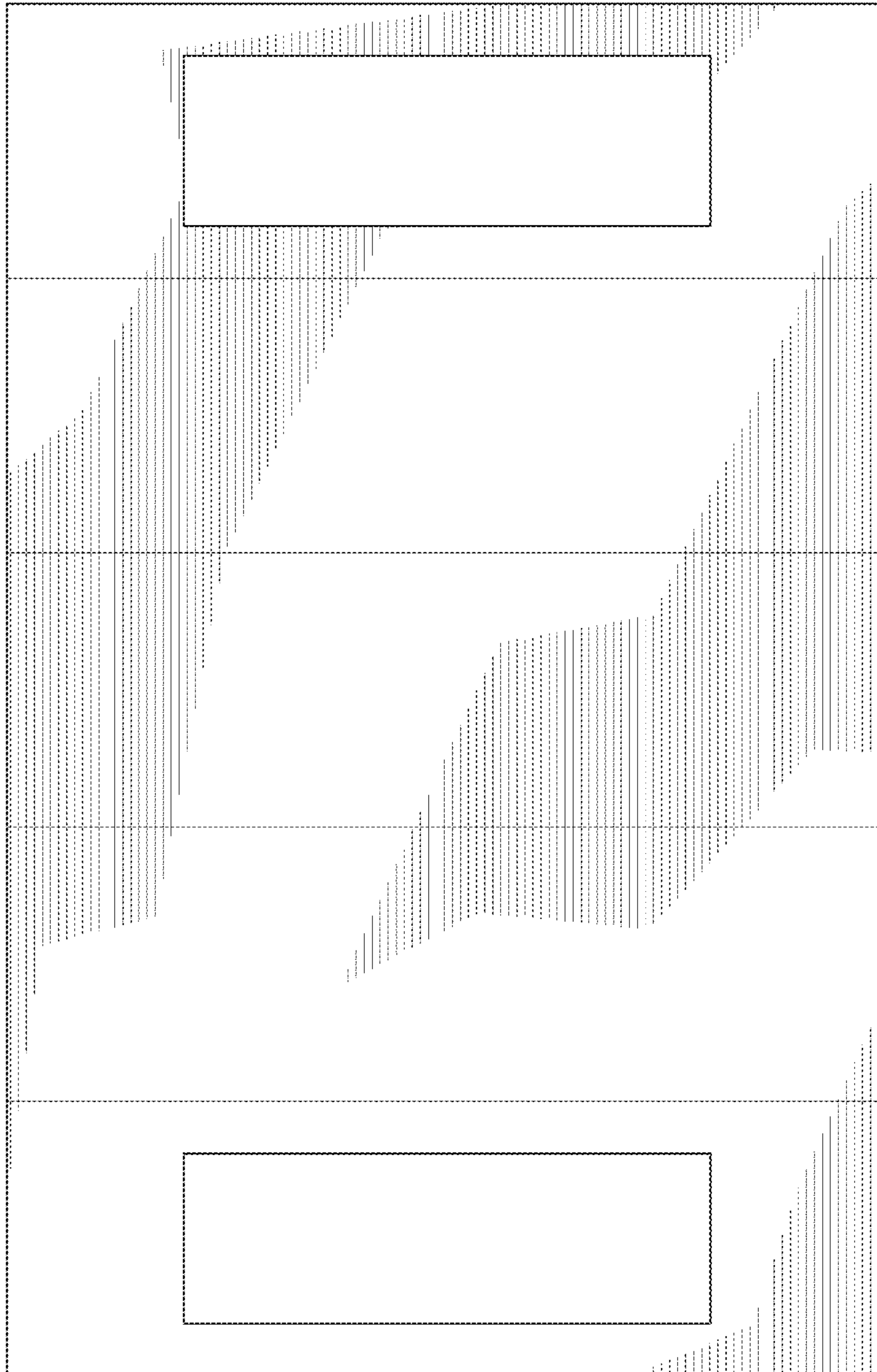


FIG. 5

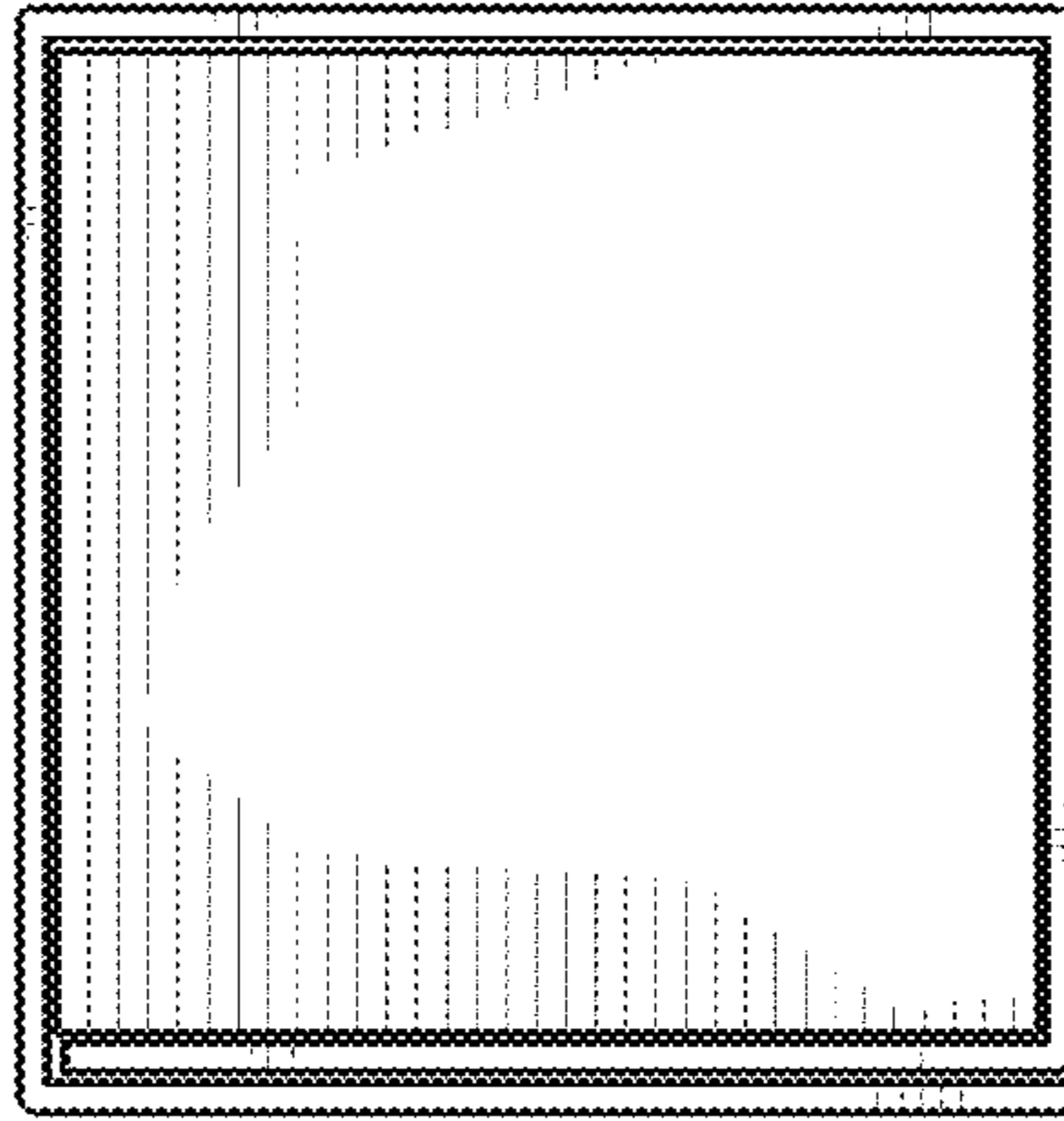


FIG. 6

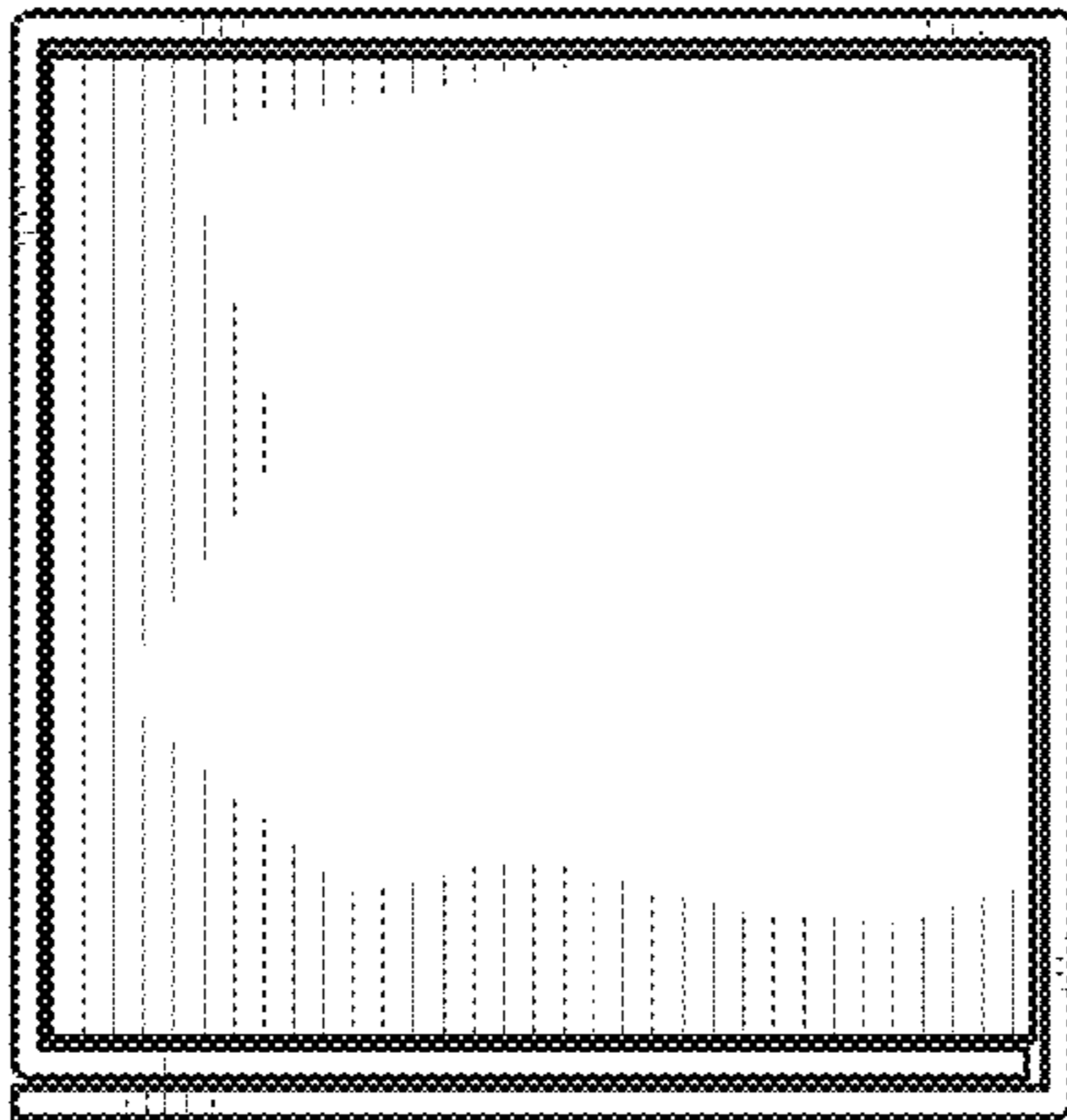


FIG. 7