



US00D703032S

(12) **United States Design Patent**
Bigdeliazari

(10) **Patent No.:** **US D703,032 S**
(45) **Date of Patent:** **** Apr. 22, 2014**

(54) **TABLE CLOTH RETAINER**
(76) Inventor: **Elaine Bigdeliazari**, Medway, MA (US)
(**) Term: **14 Years**
(21) Appl. No.: **29/399,140**
(22) Filed: **Aug. 10, 2011**
(51) **LOC (10) Cl.** **08-08**
(52) **U.S. Cl.**
USPC **D8/396**
(58) **Field of Classification Search**
USPC D8/396; D23/265; 24/274 R, 279;
285/252, 253; 220/321, 320;
292/256.69, 317, 256.65, DIG. 49;
D6/707.24
See application file for complete search history.

5,713,482 A * 2/1998 Bordner et al. 220/321
D408,178 S * 4/1999 Schwartz et al. D6/491
5,947,320 A * 9/1999 Bordner et al. 220/321
6,007,120 A * 12/1999 Vogt et al. 292/256.69
6,113,453 A * 9/2000 Stuffelbeam 446/46
6,540,097 B1 * 4/2003 Beck et al. 220/321
6,915,537 B2 * 7/2005 Le Gette et al. 5/417
7,127,754 B2 * 10/2006 Le Gette et al. 5/417
7,243,962 B2 * 7/2007 Stolzman 292/256.69
7,467,589 B2 * 12/2008 Arias 108/90
D647,394 S * 10/2011 Taylor D8/396
8,241,153 B2 * 8/2012 Williams 473/505
8,262,039 B2 * 9/2012 Royka 248/205.3
2006/0220395 A1 * 10/2006 Kuzelka 292/256.69
2007/0138198 A1 * 6/2007 Levy 221/45
2008/0079265 A1 * 4/2008 Baughman et al. 292/256.65
2009/0294449 A1 * 12/2009 Taylor 220/321

* cited by examiner

Primary Examiner — John Windmuller
(74) *Attorney, Agent, or Firm* — Bay State IP, LLC

(56) **References Cited**
U.S. PATENT DOCUMENTS

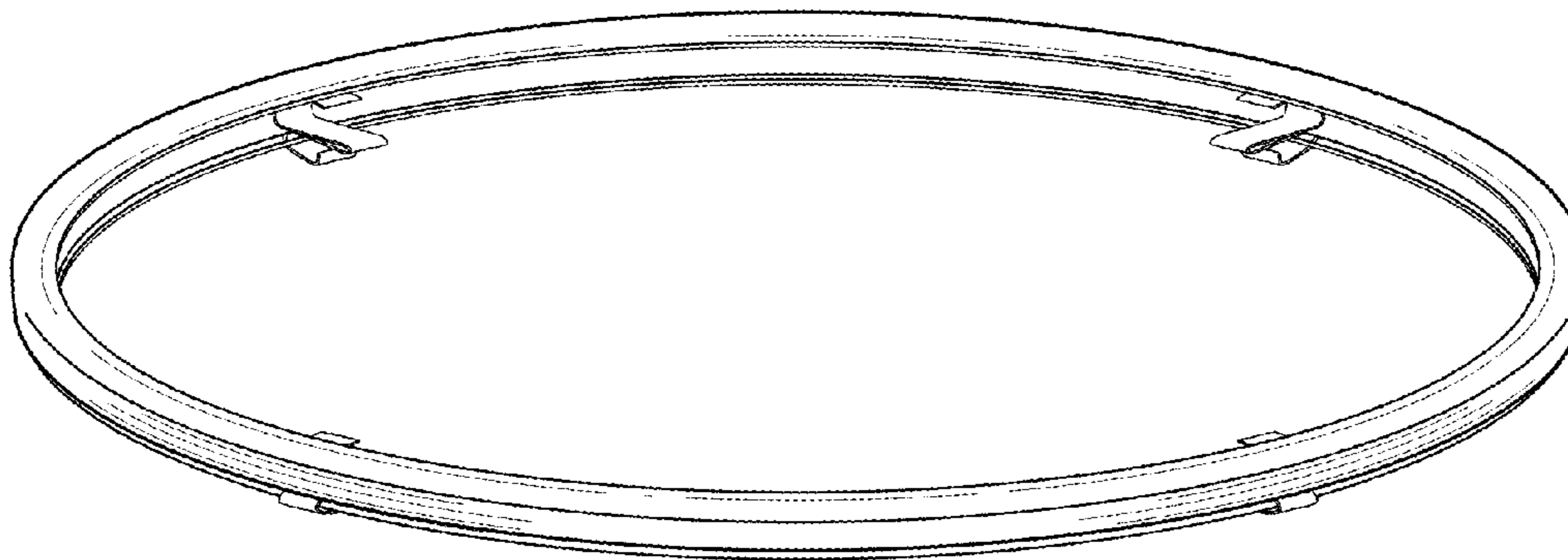
1,740,957 A * 12/1929 Phillips 362/440
3,368,601 A * 2/1968 Gantert-Merz 108/90
3,765,122 A * 10/1973 English 446/48
RE29,979 E * 5/1979 Guebert et al. 160/330
4,503,635 A * 3/1985 Harrington 446/46
4,678,216 A * 7/1987 Gregory 292/256.69
5,020,839 A * 6/1991 Kalb 292/256.69
5,060,712 A * 10/1991 Ehrlich 160/330
5,116,273 A * 5/1992 Chan 160/370.21
5,129,537 A * 7/1992 Bordner et al. 220/321
5,219,088 A * 6/1993 Reina 220/321
5,261,846 A * 11/1993 Hanna 446/46
5,295,604 A * 3/1994 Van Ryswyk 220/321
5,356,132 A * 10/1994 McEwan et al. 473/411
5,490,806 A * 2/1996 Spector 446/48
5,619,759 A * 4/1997 Hansen et al. 4/498

(57) **CLAIM**
The ornamental design for a table cloth retainer, as shown and described.

DESCRIPTION

FIG. 1 is a perspective view of a table cloth retainer, showing my new design;
FIG. 2 is a top perspective view thereof;
FIG. 3 is a bottom perspective view thereof;
FIG. 4 is a right perspective view thereof;
FIG. 5 is a left perspective view thereof; and,
FIG. 6 is a front perspective view of the table cloth retainer deployed.

1 Claim, 3 Drawing Sheets



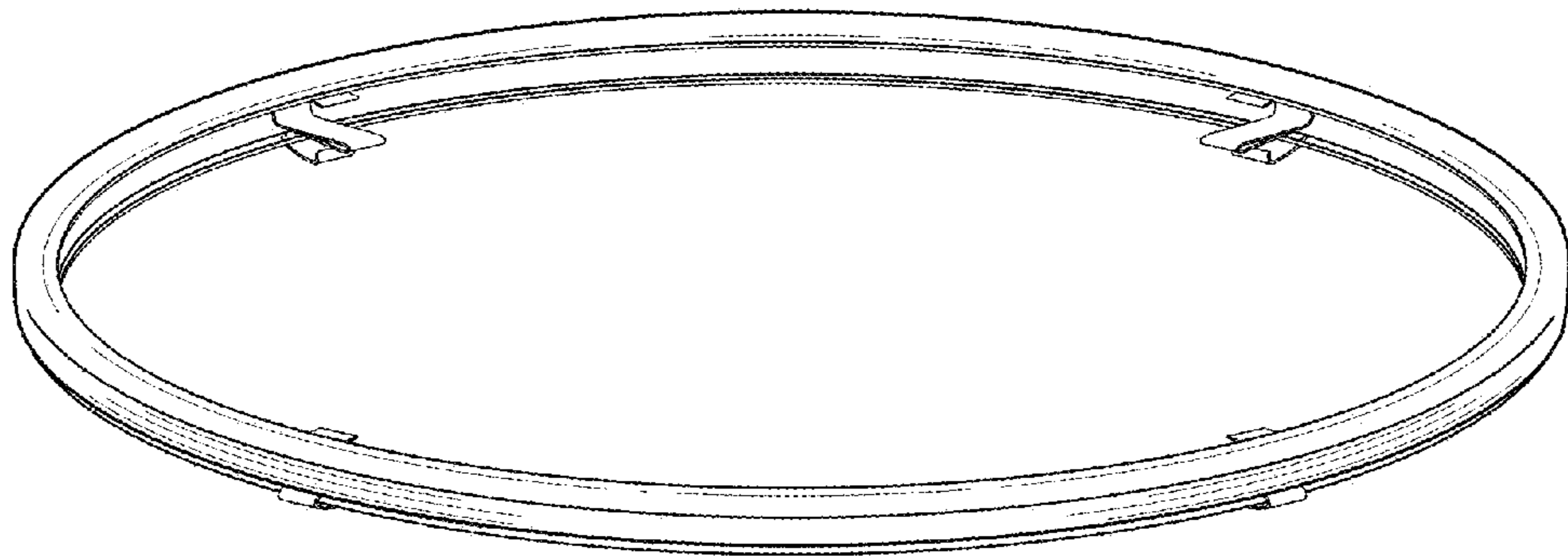


Fig. 1

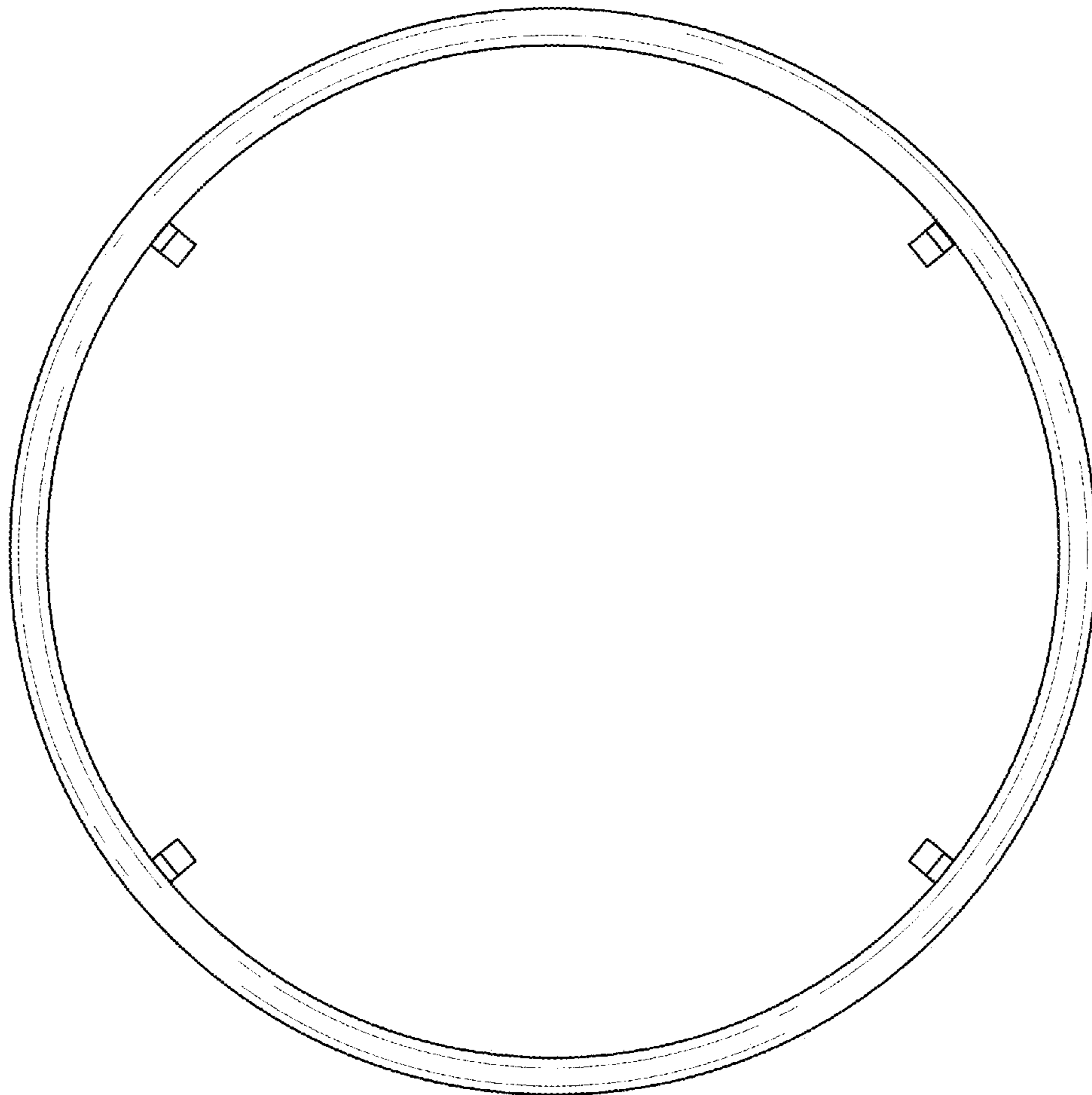


Fig. 2

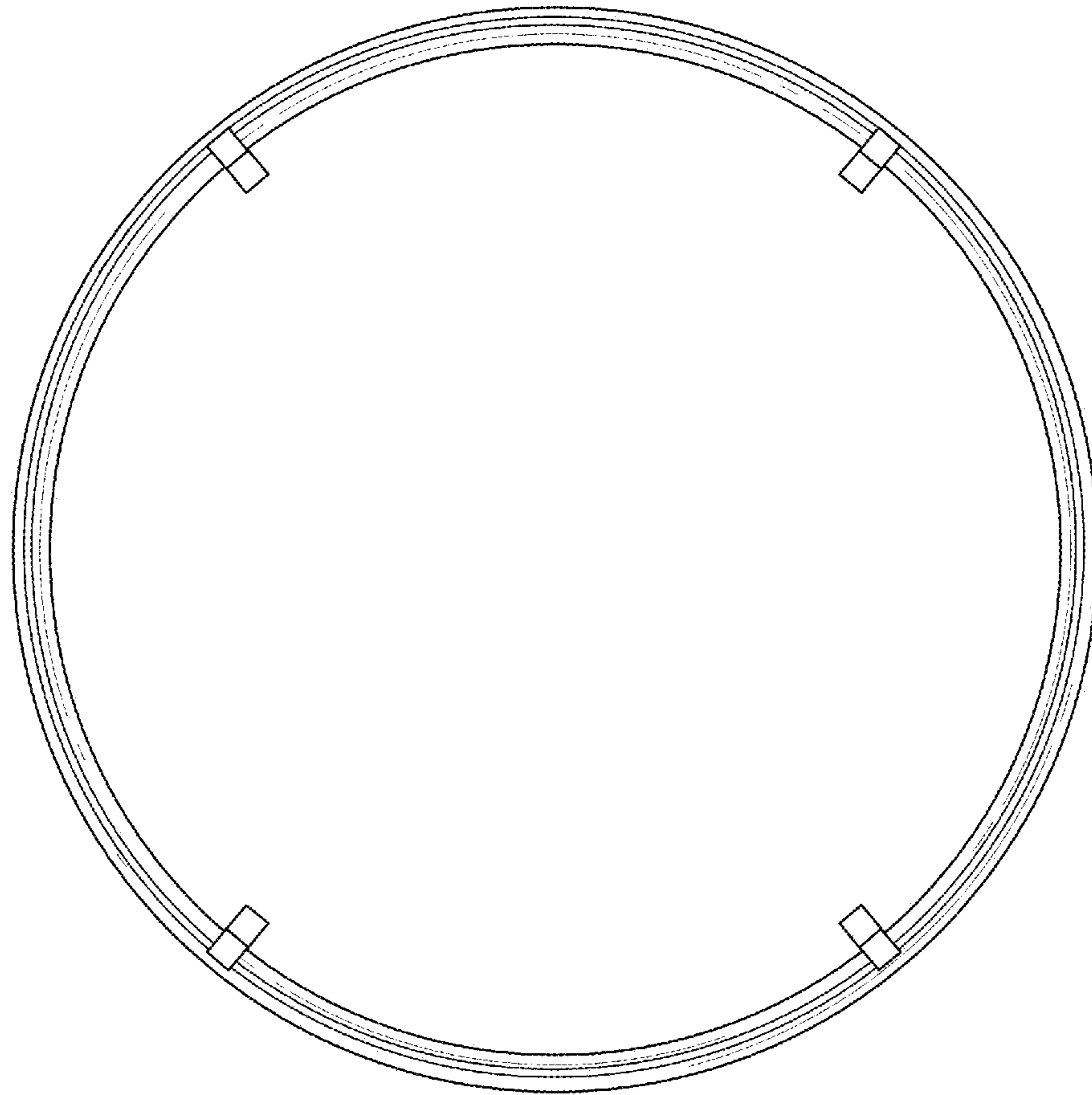


Fig. 3

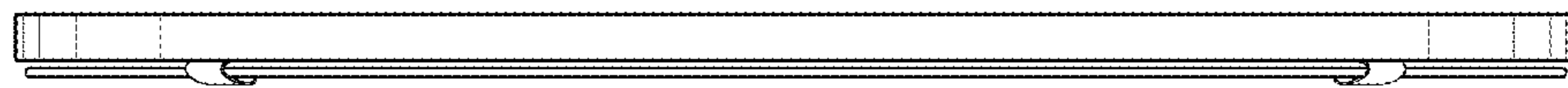


Fig. 4



Fig. 5

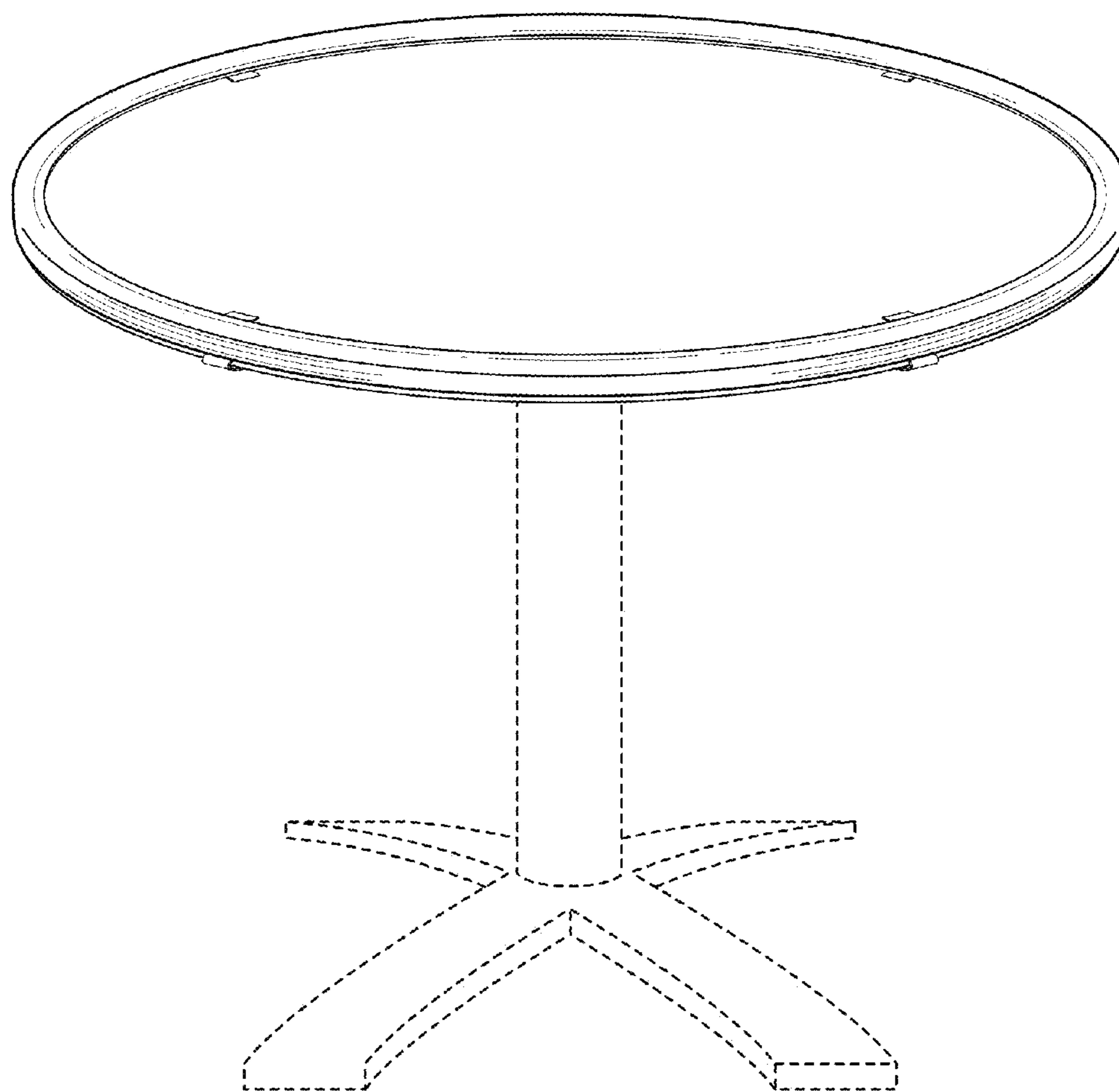


Fig. 6