



US00D703030S

(12) **United States Design Patent**
Seehoff et al.

(10) **Patent No.:** **US D703,030 S**

(45) **Date of Patent:** **** Apr. 22, 2014**

(54) **BED RISER**

(75) Inventors: **Gary Stanley Seehoff**, Encino, CA
(US); **Huy Kha Nguyen**, Anaheim, CA
(US)

(73) Assignee: **Evrholder Products, LLC**, Anaheim,
CA (US)

(**) Term: **14 Years**

(21) Appl. No.: **29/383,508**

(22) Filed: **Jan. 19, 2011**

(51) **LOC (10) Cl.** **08-15**

(52) **U.S. Cl.**
USPC **D8/374**

(58) **Field of Classification Search**
USPC D8/374; D13/199; D25/199; 248/127,
248/188.2, 346.11, 346.5, 676, 678
See application file for complete search history.

(56) **References Cited**

U.S. PATENT DOCUMENTS

D30,425	S	*	3/1899	Watt	D8/374
2,893,164	A	*	7/1959	Manatt	248/188.2
3,317,069	A	*	5/1967	Chin	215/353
D377,448	S	*	1/1997	Nakamura	D8/374
5,615,429	A	*	4/1997	Williams	5/509.1
5,647,286	A	*	7/1997	Dunn	108/147.21

D404,992	S	*	2/1999	Sittig	D8/374
5,878,984	A	*	3/1999	Grieser et al.	248/188.8
D423,340	S	*	4/2000	Sittig	D8/374
D493,095	S	*	7/2004	Sittig	D8/374
D596,481	S	*	7/2009	Yamamoto et al.	D8/374
D629,533	S	*	12/2010	Ward et al.	D25/199

* cited by examiner

Primary Examiner — Robert M Spear
Assistant Examiner — Rashida C McCoy

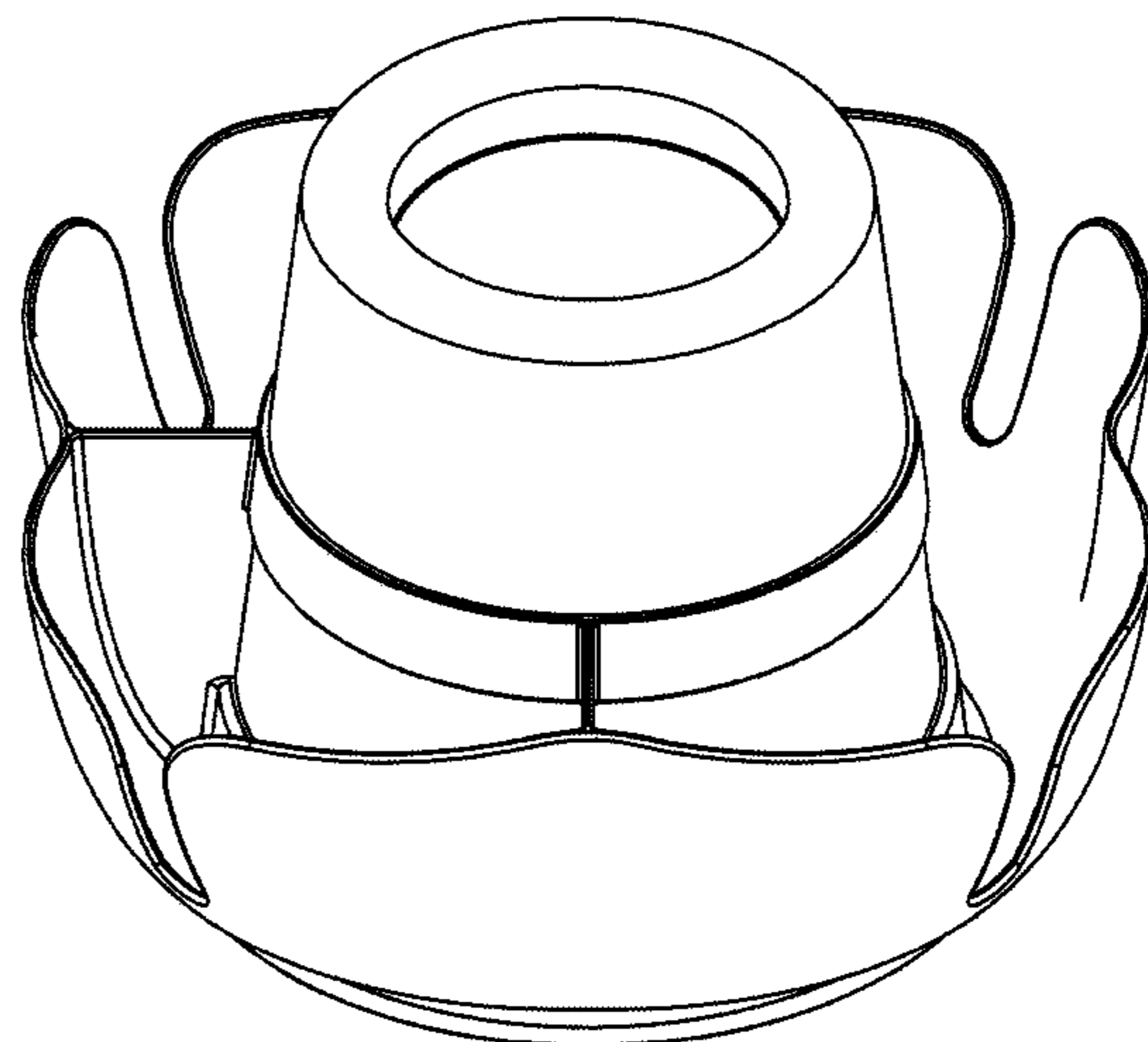
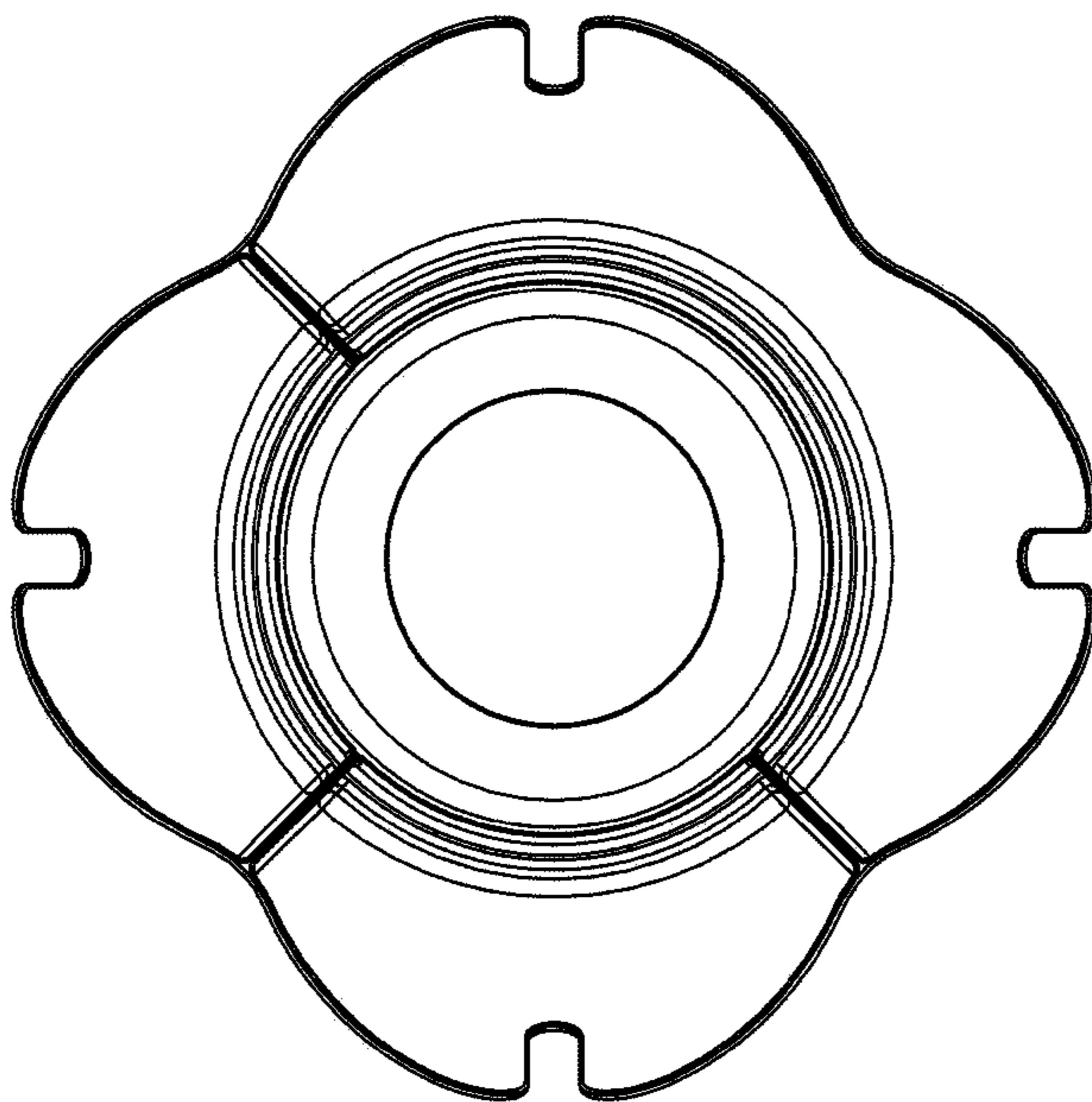
(57) **CLAIM**

The ornamental design for a bed riser, as shown and described.

DESCRIPTION

FIG. 1 illustrates a top view of the claimed design for a bed riser;
FIG. 2 illustrates a front view thereof;
FIG. 3 illustrates a left-side view thereof;
FIG. 4 illustrates a right-side view thereof;
FIG. 5 illustrates a rear view thereof;
FIG. 6 illustrates a bottom view thereof;
FIG. 7 illustrates a cross-sectional view thereof, taken along line 7-7 of FIG. 2; and,
FIG. 8 illustrates a perspective view thereof.
The broken lines in the drawings represent unclaimed environmental subject matter and form no part of the claim.

1 Claim, 8 Drawing Sheets



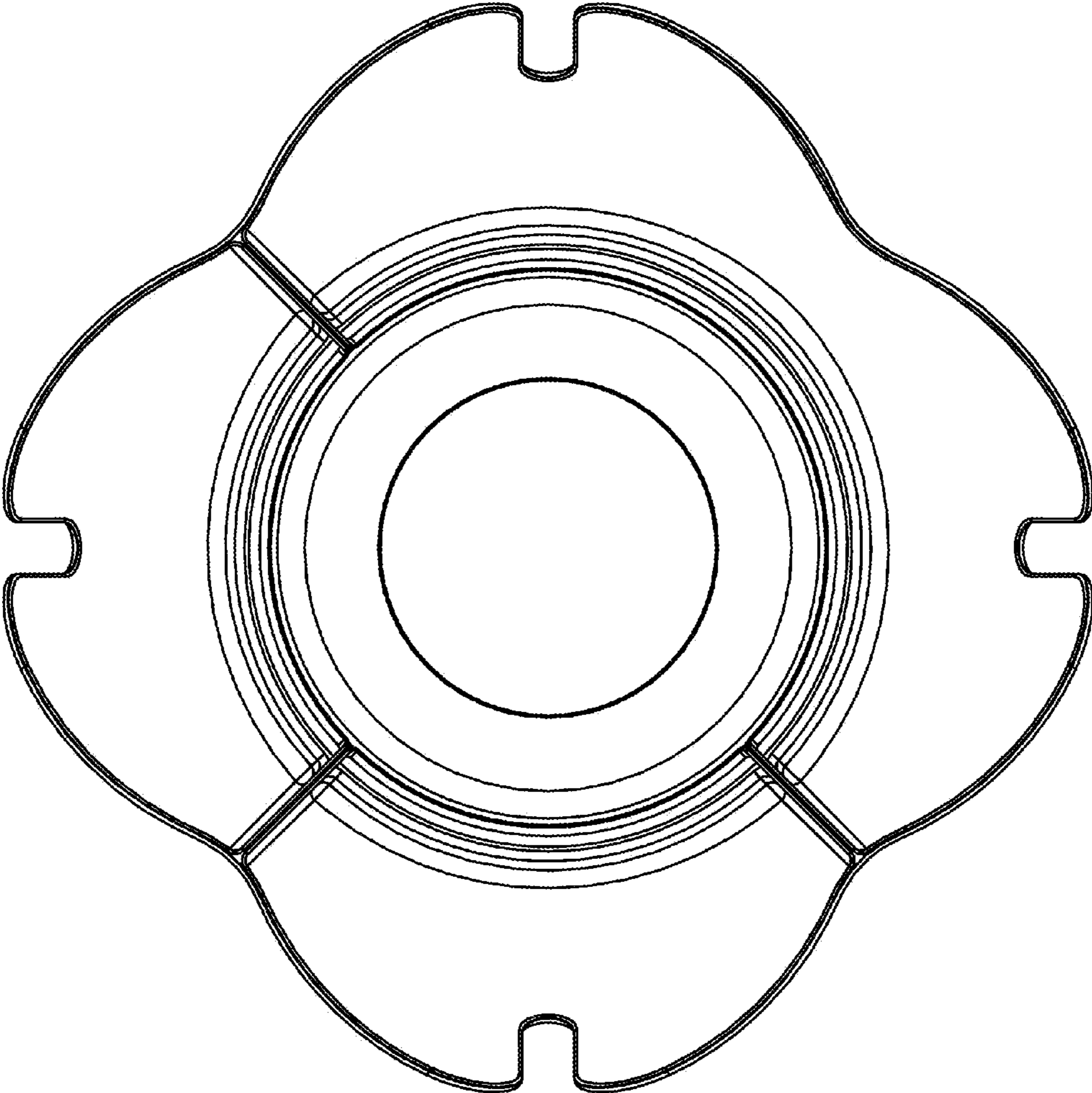


FIG. 1

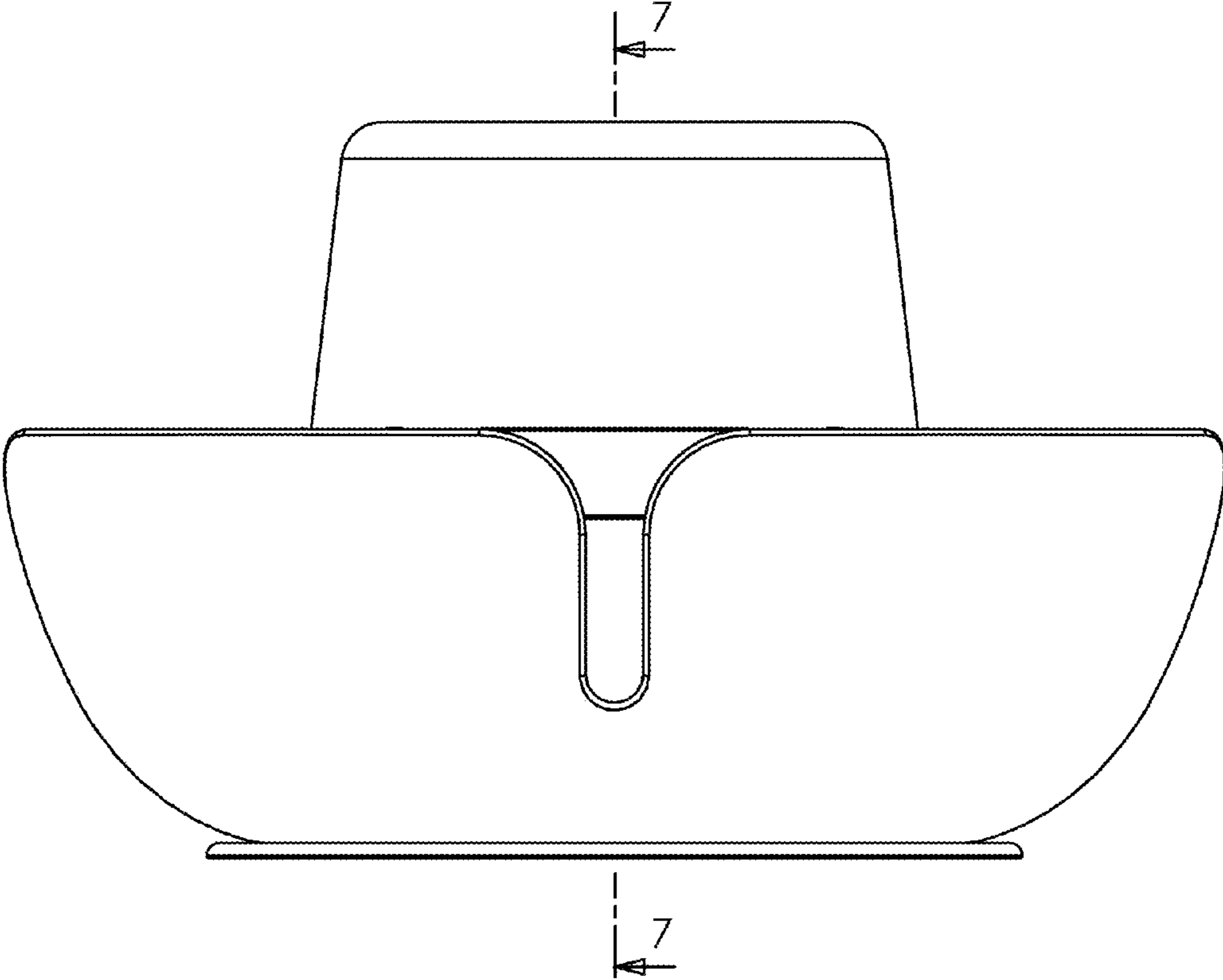


FIG. 2

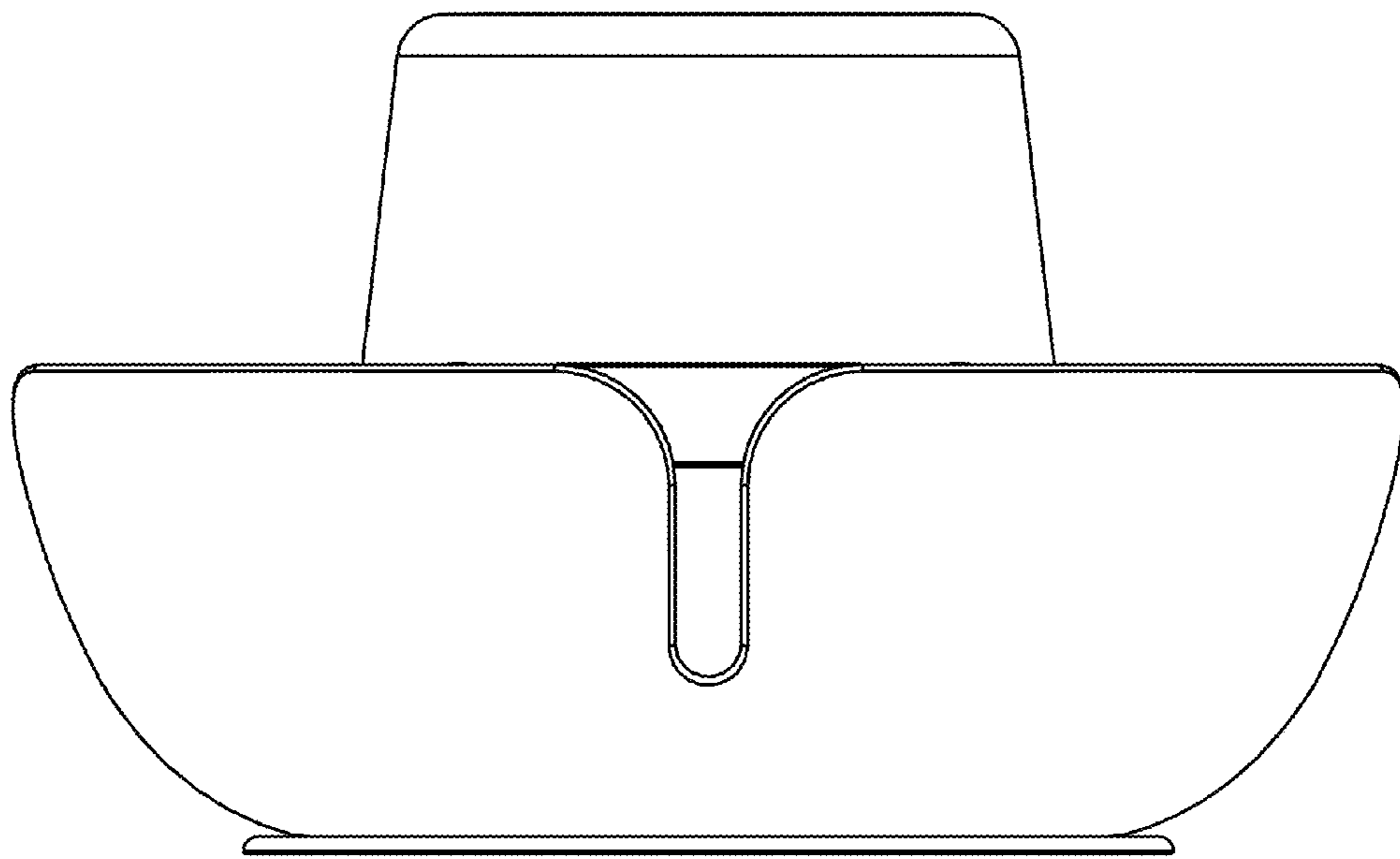


FIG. 3

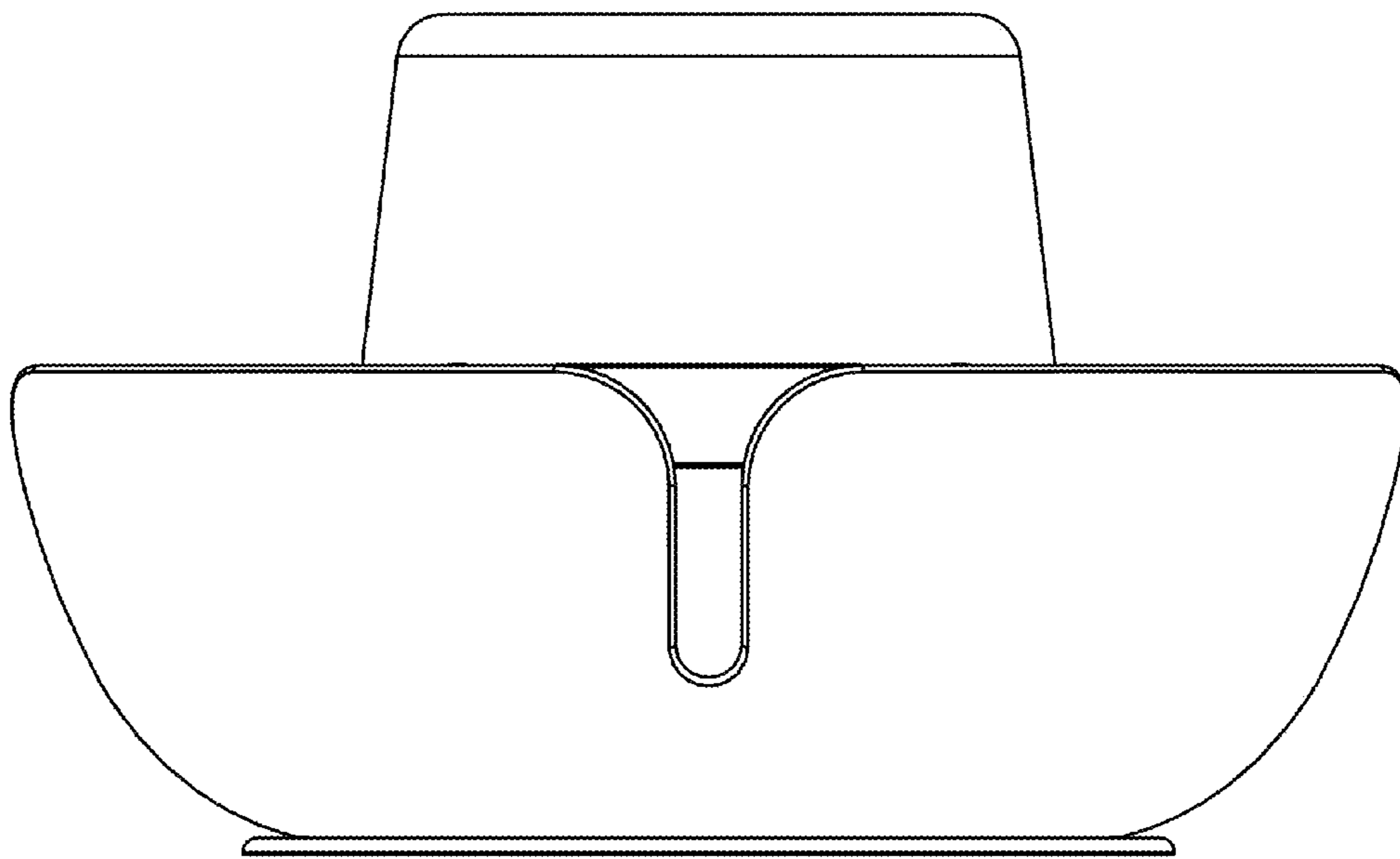


FIG. 4

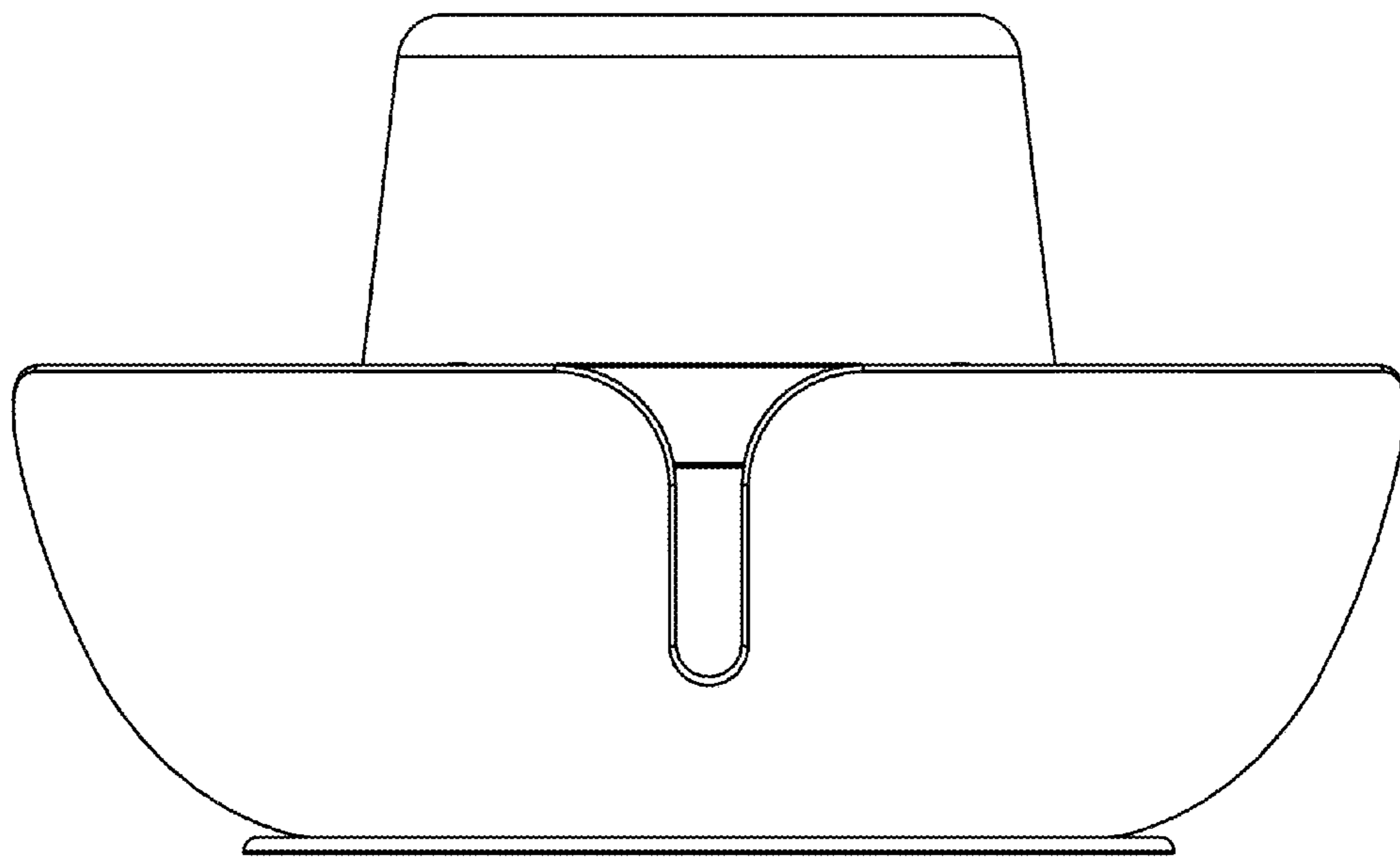


FIG. 5

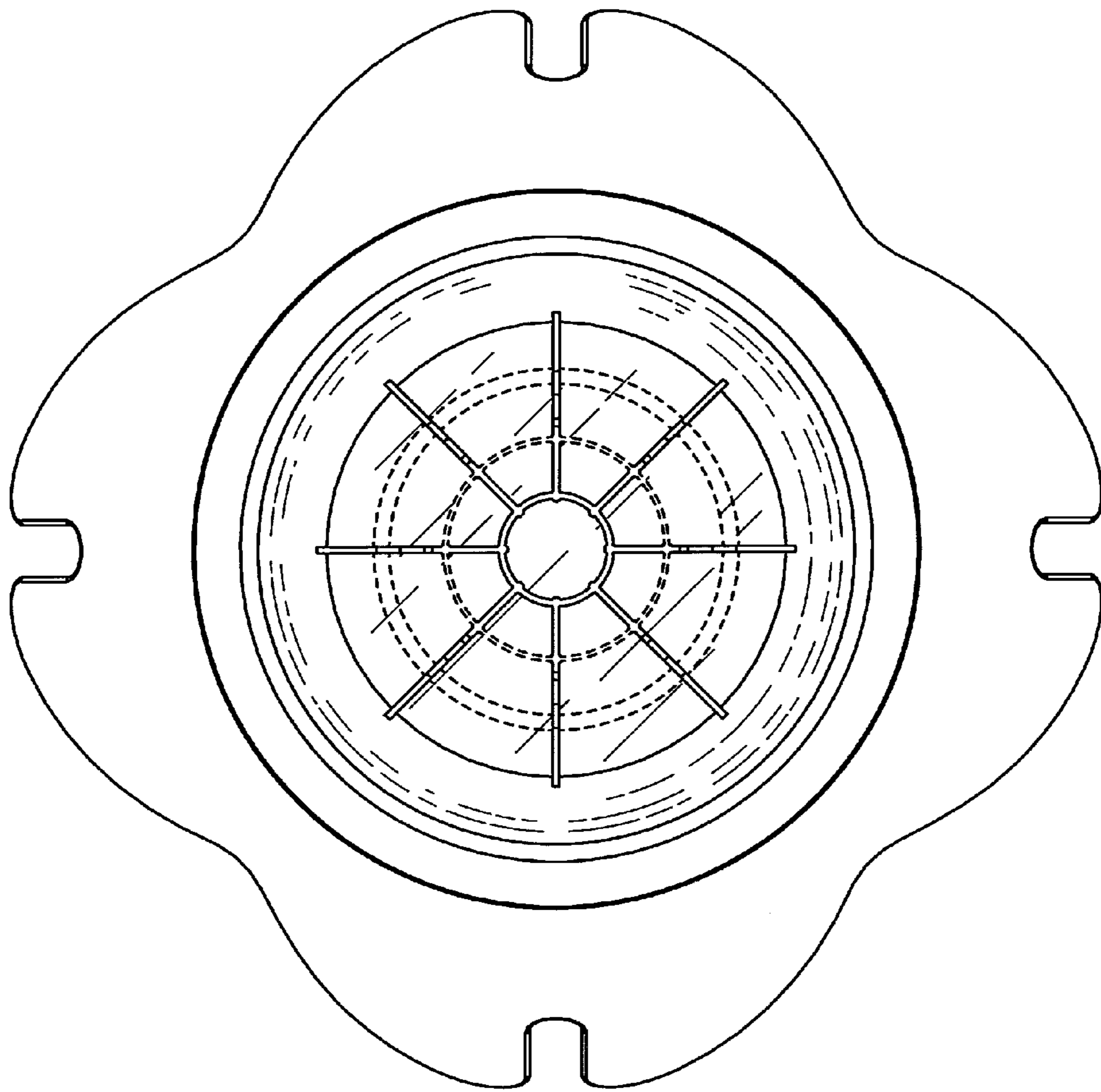


FIG. 6

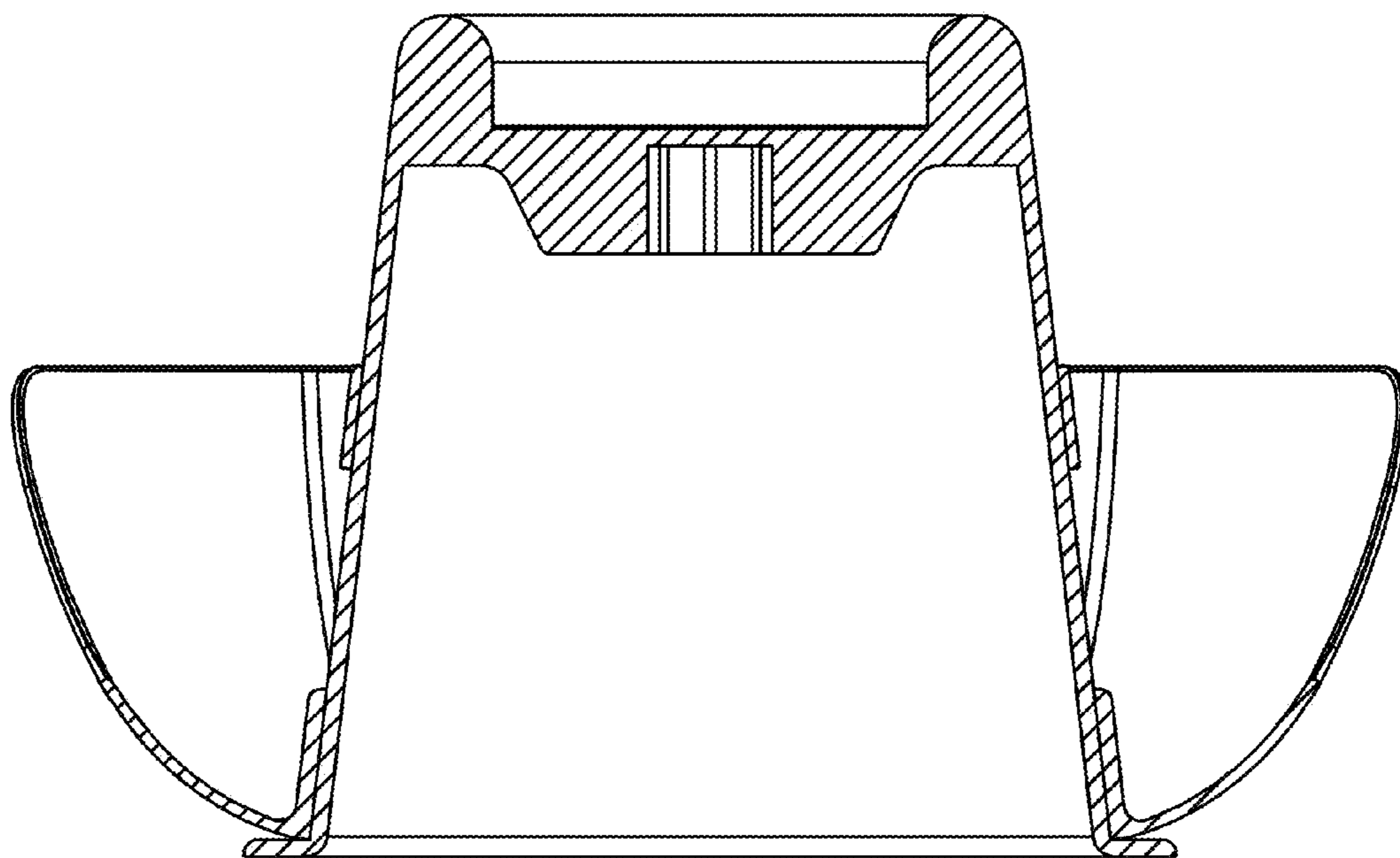


FIG. 7

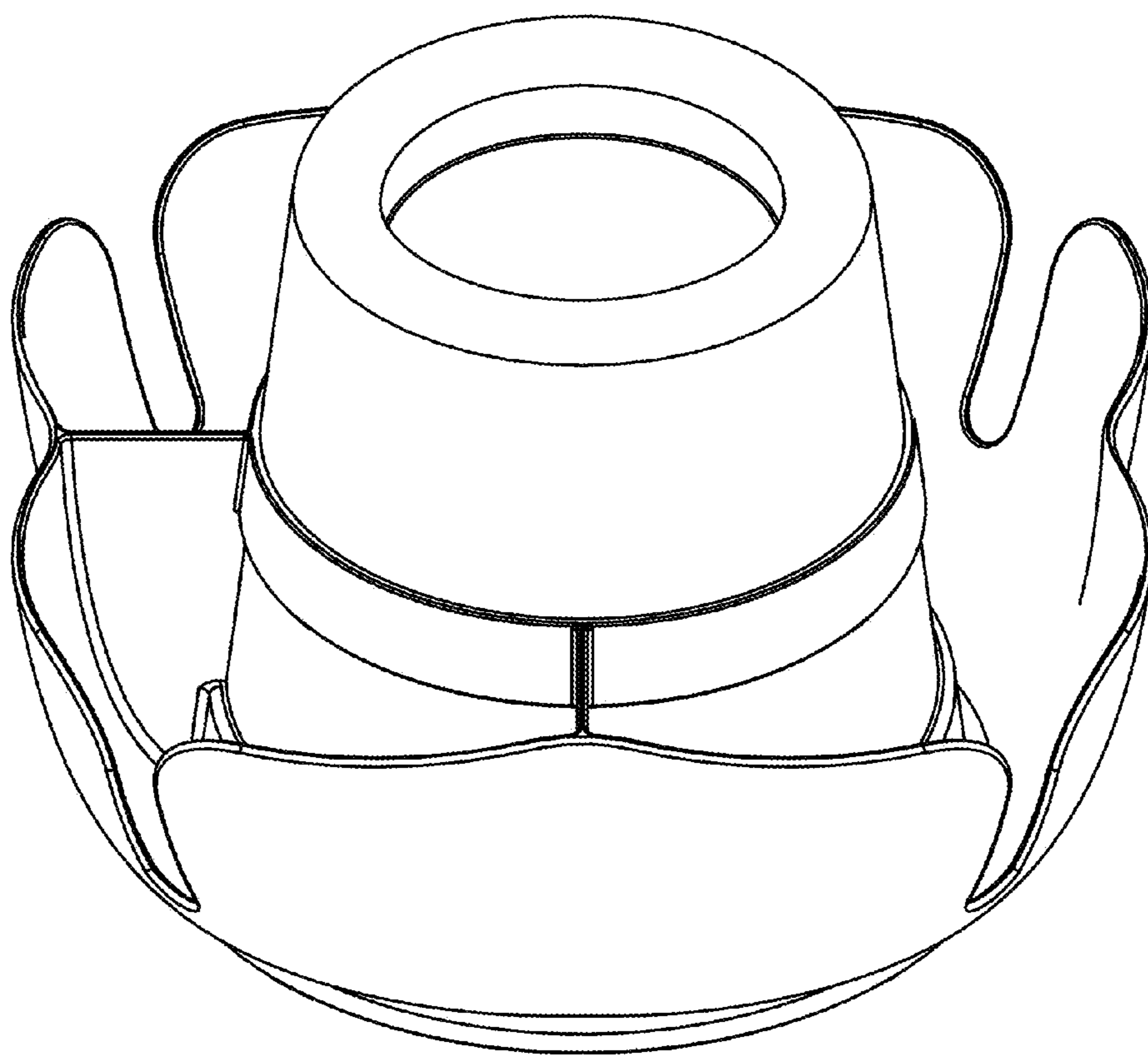


FIG. 8