



US00D703029S

(12) **United States Design Patent**
Fox

(10) **Patent No.:** **US D703,029 S**
(45) **Date of Patent:** **** Apr. 22, 2014**

(54) **ANCHOR DEVICE FOR WOODEN POST**

(71) Applicant: **Fox Hardwood Lumber**, Franklin, TN (US)

(72) Inventor: **Tommy Fox**, Franklin, TN (US)

(73) Assignee: **Fox Hardwood Lumber Company, L.L.C.**, Franklin, TN (US)

(**) Term: **14 Years**

(21) Appl. No.: **29/433,731**

(22) Filed: **Oct. 4, 2012**

(51) **LOC (10) Cl.** **08-05**

(52) **U.S. Cl.**
USPC **D8/373**

(58) **Field of Classification Search**
USPC D8/349, 354, 373; 248/300; 52/295; D25/133
See application file for complete search history.

(56) **References Cited**

U.S. PATENT DOCUMENTS

1,431,662 A * 10/1922 Horning 248/300
D445,019 S * 7/2001 Vitetta D8/366
6,666,414 B2 * 12/2003 Dean et al. 248/27.3

D547,463 S * 7/2007 Gross et al. D25/133
7,454,872 B2 * 11/2008 Cutforth 52/295
D610,718 S * 2/2010 Ringus et al. D25/133
D628,539 S * 12/2010 Tezak et al. D13/152
7,854,419 B2 * 12/2010 Ng et al. 248/269

* cited by examiner

Primary Examiner — Holly H. Baynham

(74) *Attorney, Agent, or Firm* — Phillip E. Walker; Waddey Patterson

(57) **CLAIM**

What is claimed is the ornamental design for an anchor device for wooden post, as shown and described.

DESCRIPTION

FIG. 1 is a front perspective view showing the anchor device for wooden post of Applicant's invention.
FIG. 2 is a front elevation of the anchor device for wooden post of Applicant's invention.
FIG. 3 is a side elevation of the anchor device for wooden post of Applicant's invention, both sides being identical.
FIG. 4 is a top view of the anchor device for wooden post of Applicant's invention; and,
FIG. 5 is a bottom view of the anchor device for wooden post of Applicant's invention.

1 Claim, 5 Drawing Sheets

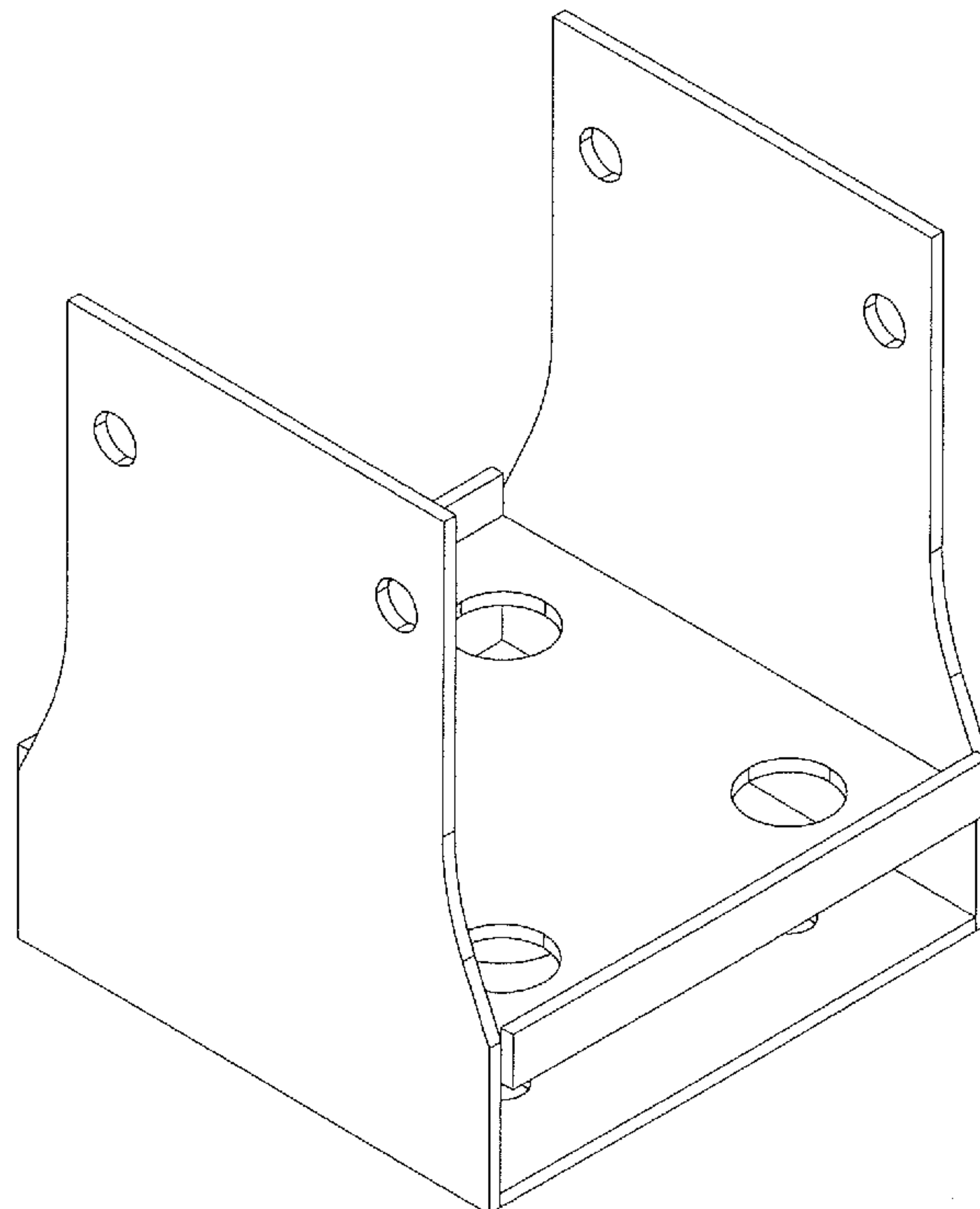


FIG. 1

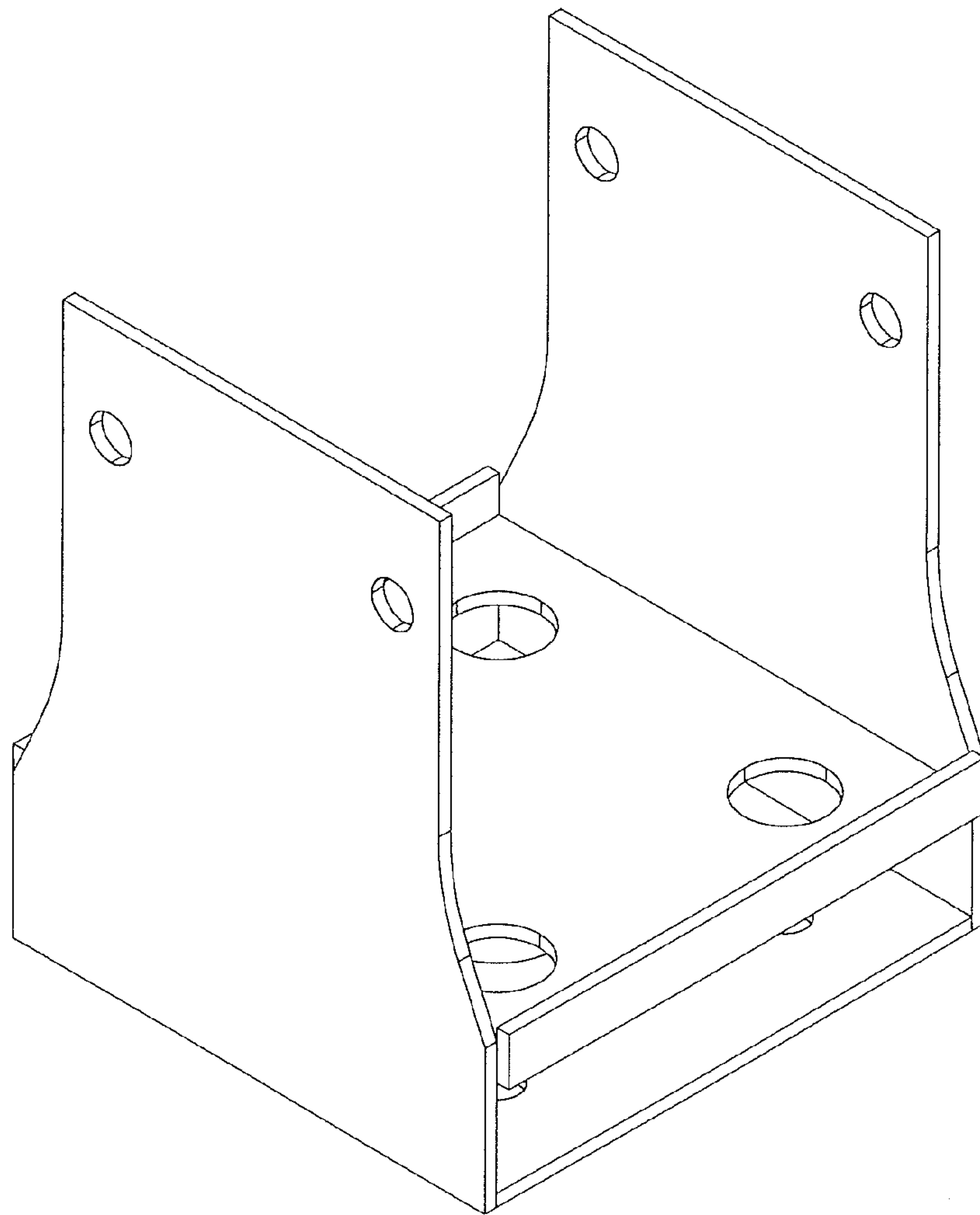


FIG. 2

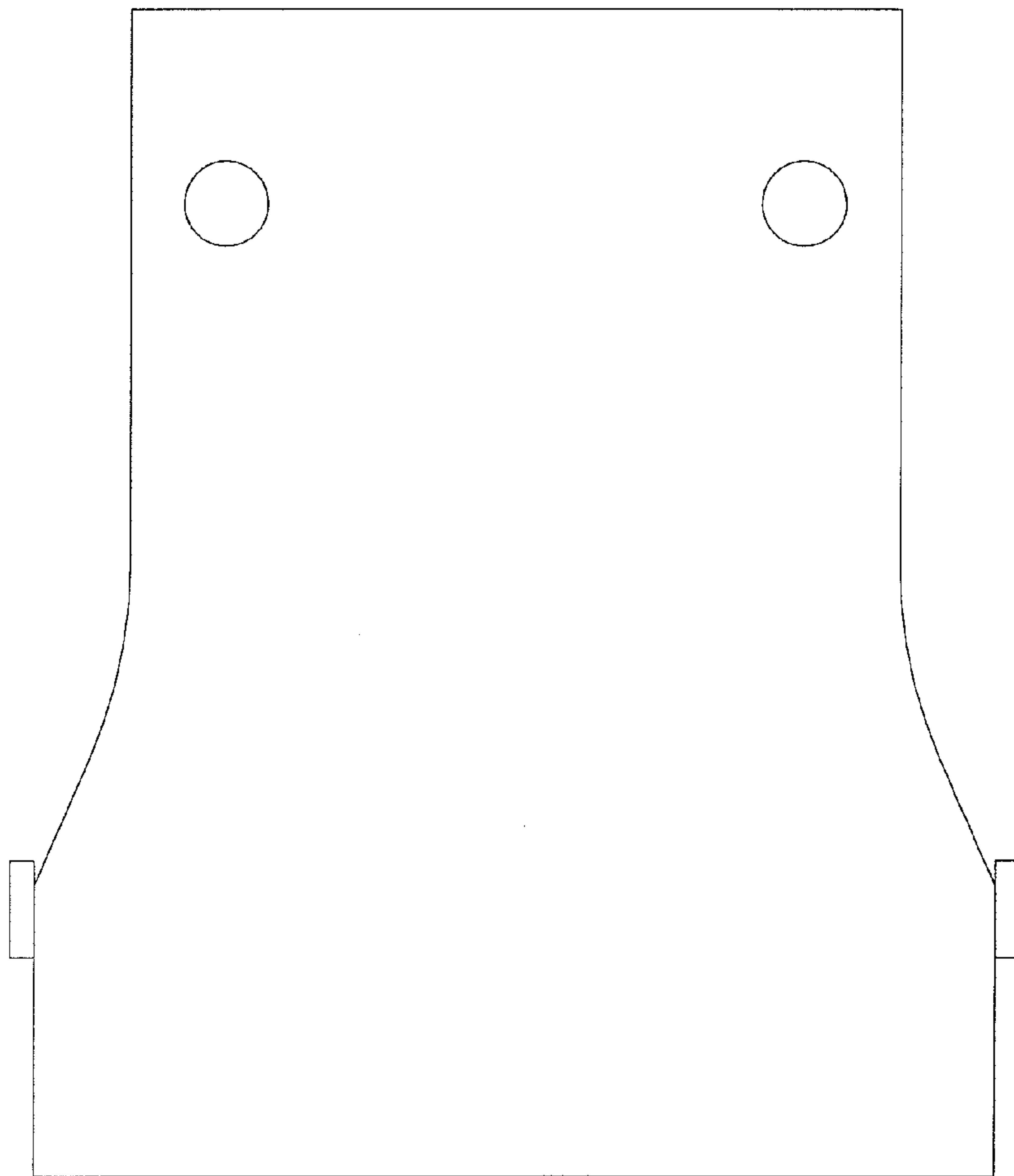


FIG. 3

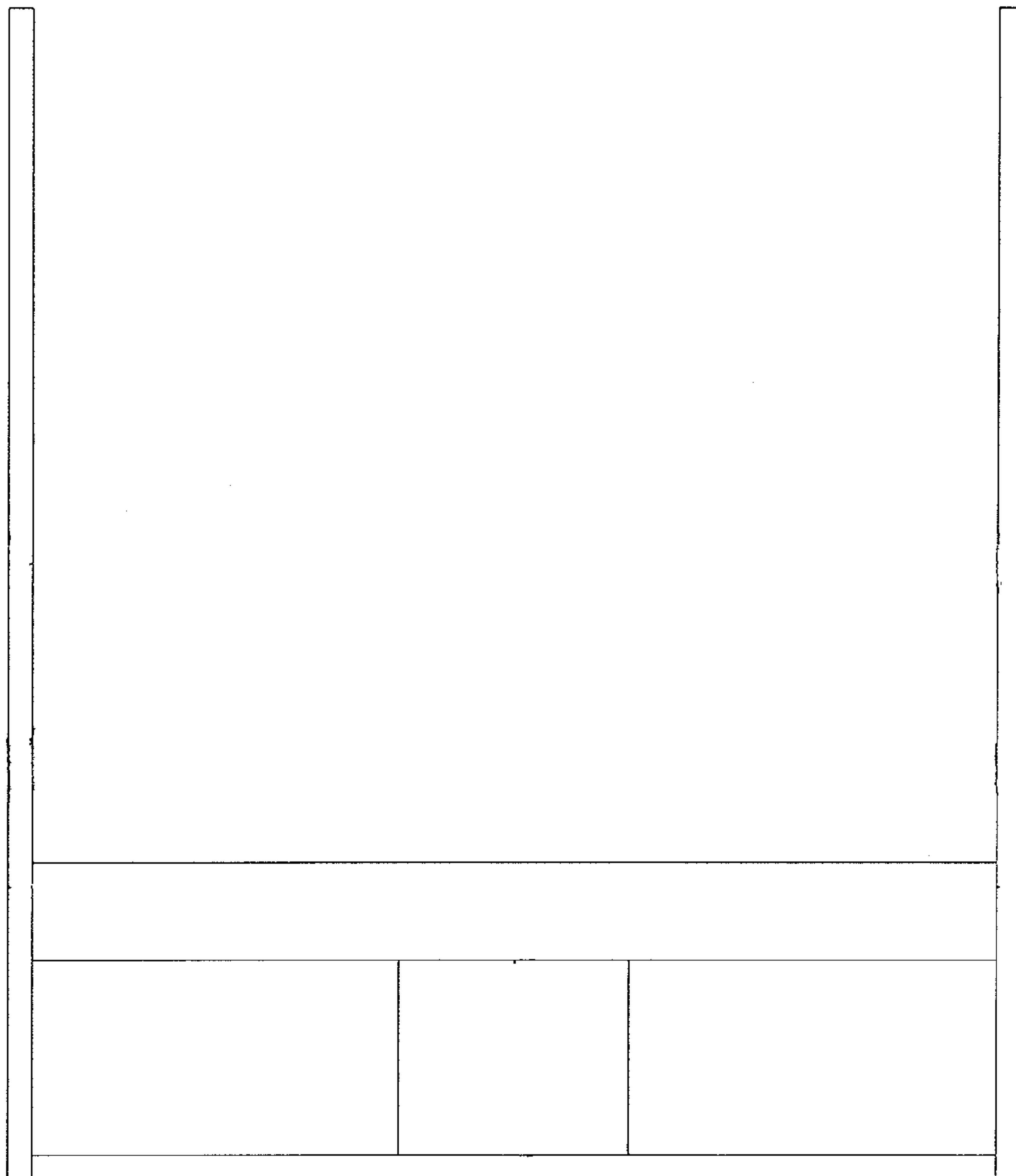


FIG. 4

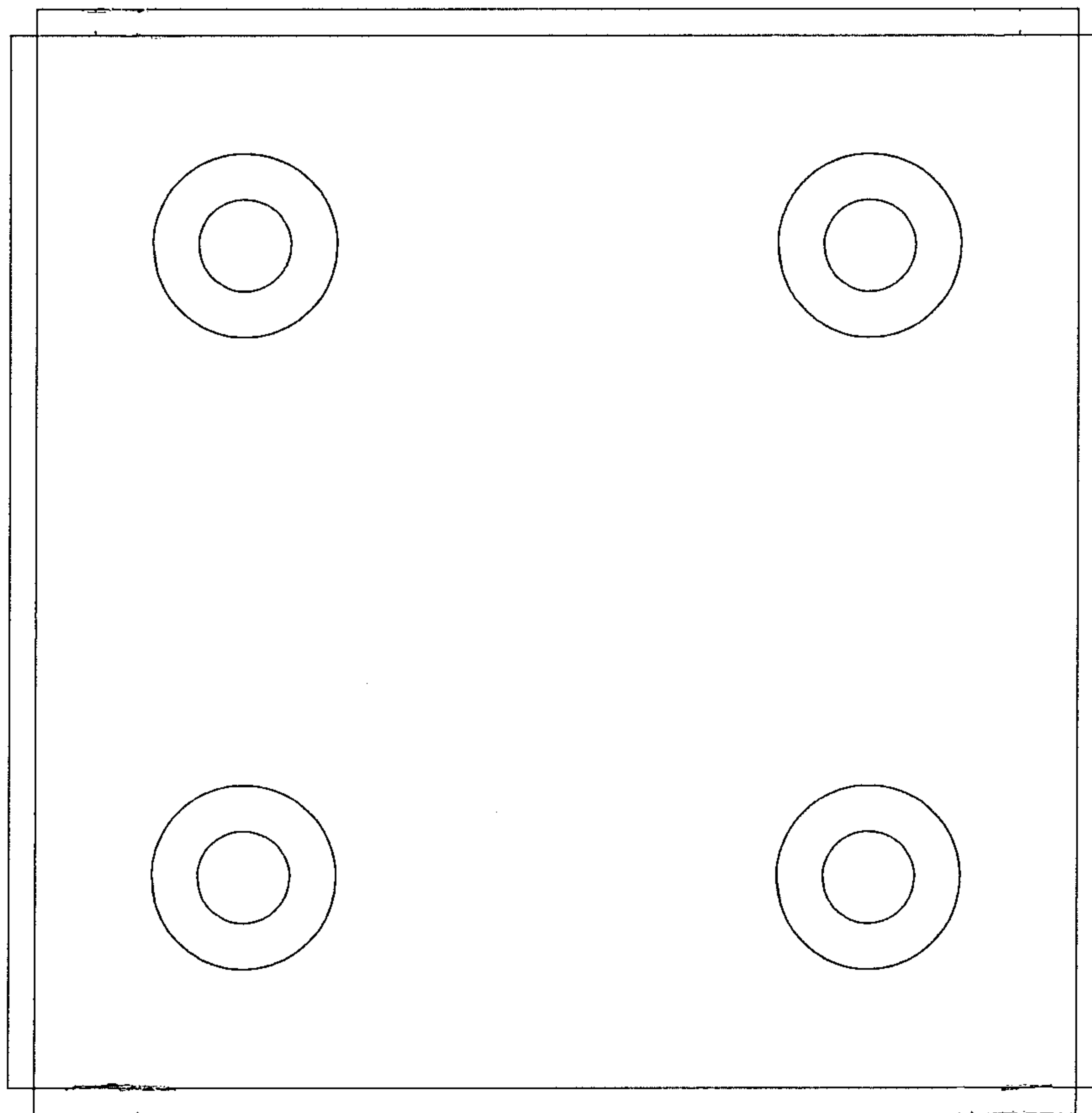


FIG. 5

