



US00D703025S

(12) **United States Design Patent**
Stevens

(10) **Patent No.:** **US D703,025 S**

(45) **Date of Patent:** **** Apr. 22, 2014**

(54) **LOCK**

1,276,633 A 8/1918 Forbes
D59,734 S 11/1921 Fisher
1,423,691 A 7/1922 Sokolov

(71) Applicant: **Master Lock Company LLC**, Oak Creek, WI (US)

(Continued)

(72) Inventor: **Scott B. Stevens**, St. Francis, WI (US)

FOREIGN PATENT DOCUMENTS

(73) Assignee: **Master Lock Company LLC**, Oak Creek, WI (US)

EP 001115059-0001 3/2009
GB 1497979 1/1978

(Continued)

(**) Term: **14 Years**

OTHER PUBLICATIONS

(21) Appl. No.: **29/462,988**

International Search Report and Written Opinion from International Application No. PCT/US2010/049615, date of mailing Nov. 4, 2010.

(22) Filed: **Aug. 12, 2013**

(Continued)

Related U.S. Application Data

(62) Division of application No. 29/418,857, filed on Apr. 23, 2012, now Pat. No. Des. 692,745.

(51) **LOC (10) Cl.** **08-07**

(52) **U.S. Cl.**
USPC **D8/334**

(58) **Field of Classification Search**

USPC D8/330, 331, 343, 346, 398, 394, 449;
70/57, 57.1, 51-56, 416, 485, 486,
70/445, 419, 431, 422, 158, DIG. 26;
220/280, 265, 277

See application file for complete search history.

(56) **References Cited**

U.S. PATENT DOCUMENTS

656,157 A 8/1900 Alm
1,085,894 A 2/1914 Eagle
1,092,733 A 4/1914 McCarthy
1,185,468 A 5/1916 Borg

Primary Examiner — Prabhakar Deshmukh

(74) *Attorney, Agent, or Firm* — Calfee, Halter & Griswold LLP

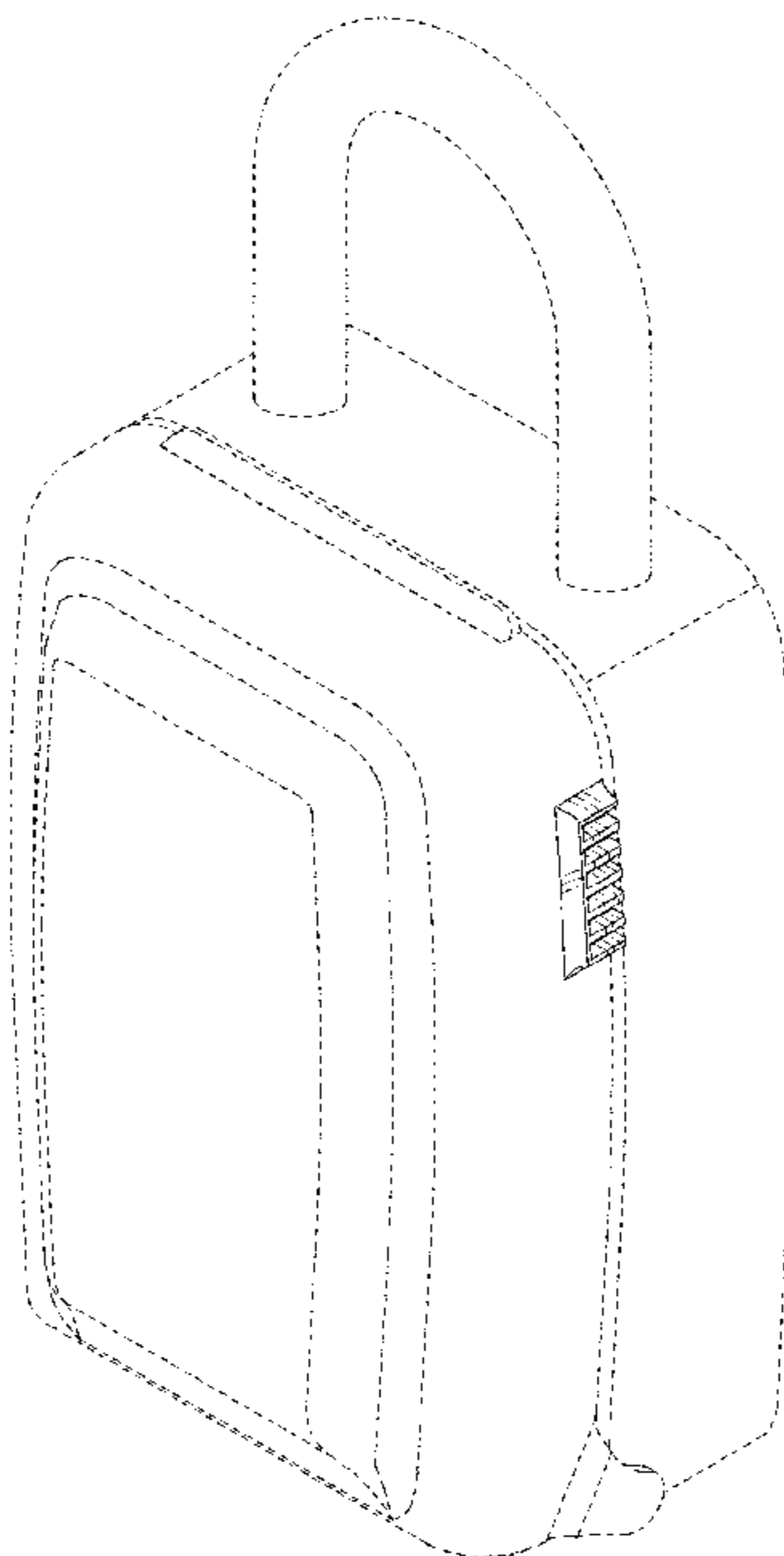
(57) **CLAIM**

I claim the ornamental design for a lock, as shown and described.

DESCRIPTION

FIG. 1 is a front perspective view of a lock of the new design; FIG. 2 is a top plan view of the lock of FIG. 1; FIG. 3 is a bottom plan view of the lock of FIG. 1; FIG. 4 is a front elevational view of the lock of FIG. 1; FIG. 5 is a rear elevational view of the lock of FIG. 1; FIG. 6 is a right side elevational view of the lock of FIG. 1; and, FIG. 7 is a left side elevational view of the lock of FIG. 1. The portions of the Figures shown in broken lines are for illustrative purpose only and form no part of the claimed design.

1 Claim, 5 Drawing Sheets



(56)

References Cited

U.S. PATENT DOCUMENTS

1,480,760 A	1/1924	Hill	D365,430 S	12/1995	Riboli	
1,634,884 A	7/1927	Peer	5,638,707 A	6/1997	Gould	
1,955,809 A	4/1934	Hobbs	D380,793 S	7/1997	Conwell	
2,029,080 A	1/1936	Mills	5,720,193 A	2/1998	Dick	
2,109,264 A	2/1938	Elbaum	5,737,947 A	4/1998	Ling	
2,165,067 A	7/1939	Pfendner	5,738,020 A	4/1998	Correia	
2,529,119 A	11/1950	Wallach et al.	5,758,522 A	6/1998	York	
2,536,429 A	1/1951	Dury	5,765,409 A *	6/1998	Yang	70/28
2,628,490 A	2/1953	Klein	5,768,921 A	6/1998	Hill	
2,640,346 A	6/1953	Giffin	D407,184 S	3/1999	Endelson	
2,665,577 A	1/1954	Sanowskis	D411,949 S	7/1999	Hill	
2,706,393 A	4/1955	Jamieson et al.	5,927,114 A	7/1999	Berry	
D175,369 S	8/1955	Sciacero	D417,604 S	12/1999	Wasson et al.	
2,755,748 A	7/1956	Abell, Jr.	6,000,254 A	12/1999	Raybary	
2,785,564 A	3/1957	Rossi	6,026,665 A	2/2000	Raybary	
D181,025 S	9/1957	Sederquist et al.	6,085,671 A	7/2000	Kerr et al.	
D183,094 S	6/1958	Heath	D432,755 S	10/2000	Perkitny et al.	
3,009,346 A	11/1961	Check	6,145,355 A	11/2000	Burleigh et al.	
3,026,704 A	3/1962	Baker	6,272,889 B1	8/2001	Burleigh et al.	
3,040,556 A	6/1962	Rosenhagen	6,298,698 B1	10/2001	Nakajima et al.	
3,084,532 A	4/1963	Williams	6,334,346 B1	1/2002	Wang	
3,099,150 A	7/1963	Check	6,363,758 B1 *	4/2002	Ling	70/30
3,115,028 A	12/1963	Windle	D462,517 S	9/2002	Knox et al.	
3,115,765 A	12/1963	Fengler	6,484,545 B1	11/2002	Peter et al.	
3,146,739 A	9/1964	Furman	6,487,803 B1	12/2002	Yu	
3,187,528 A	6/1965	Check	6,526,786 B1	3/2003	Kayoda	
3,357,216 A	12/1967	Cook	D476,216 S	6/2003	Vito	
3,379,040 A	4/1968	Shimono	6,575,004 B2	6/2003	Berton et al.	
3,412,587 A	11/1968	Sanowskis	D484,776 S	1/2004	Ruan	
3,462,981 A	8/1969	Leblanc	D488,048 S	4/2004	Wasson et al.	
3,667,261 A	6/1972	McGourty	6,755,059 B1	6/2004	Nall	
3,742,741 A	7/1973	Cahan	D495,234 S	8/2004	Fisher et al.	
3,750,431 A	8/1973	Atkinson	6,813,912 B1	11/2004	Ng et al.	
D231,895 S	6/1974	Stolarz	6,834,519 B1	12/2004	Yang	
3,910,078 A	10/1975	Schulz	6,874,339 B2	4/2005	Segawa	
3,934,434 A	1/1976	Law	D518,357 S *	4/2006	Kearns et al.	D8/334
3,937,046 A	2/1976	Wang	7,036,950 B1	5/2006	Freeman et al.	
4,014,194 A	3/1977	Hartman	7,043,948 B1	5/2006	Wang	
4,027,508 A	6/1977	McGourty	7,057,660 B1	6/2006	Okuda	
4,070,881 A	1/1978	Shimono	D525,112 S	7/2006	Butts et al.	
4,133,074 A	1/1979	Schack	7,152,439 B1	12/2006	Chang	
4,196,603 A	4/1980	Malacheski et al.	D534,965 S	1/2007	Chung	
4,350,031 A	9/1982	Shimono	D539,540 S	4/2007	Perlman et al.	
D271,350 S	11/1983	Robbins	D539,633 S	4/2007	Van Handel	
D273,053 S	3/1984	Hamborg	D547,161 S	7/2007	Blomstrom et al.	
D278,689 S	5/1985	Jupe	7,251,967 B2	8/2007	Yang	
D279,324 S	6/1985	Tanaka	7,299,667 B1	11/2007	Miresmaili	
4,602,491 A	7/1986	Mauer	D560,875 S	1/2008	Decarlo et al.	
4,627,250 A	12/1986	Kim	7,316,139 B2	1/2008	Nakazima et al.	
4,641,505 A	2/1987	Maurice	7,360,383 B1	4/2008	Chang	
4,651,544 A	3/1987	Hungerford	D569,227 S	5/2008	Boenisch	
4,671,084 A	6/1987	Lin	D569,609 S	5/2008	Hacker	
4,727,368 A	2/1988	Larson et al.	D575,626 S *	8/2008	Basche et al.	D8/334
4,748,833 A	6/1988	Nagasawa	7,426,841 B2	9/2008	Yang	
4,766,746 A	8/1988	Henderson	D579,174 S	10/2008	Decarlo et al.	
D298,679 S	11/1988	Casini et al.	7,434,426 B2	10/2008	Loughlin et al.	
4,794,768 A	1/1989	Moser et al.	D590,695 S	4/2009	Wu	
4,799,371 A	1/1989	Duncan	7,516,631 B2	4/2009	Hacker	
D301,682 S	6/1989	Gardenswartz	D592,485 S	5/2009	Stevens	
4,838,052 A	6/1989	Williams et al.	D592,934 S	5/2009	Yang	
4,851,652 A	7/1989	Imran	D592,935 S	5/2009	Mesh et al.	
4,866,958 A	9/1989	Bretl et al.	7,540,175 B2	6/2009	Kalous et al.	
4,872,326 A	10/1989	Aurness et al.	D614,044 S	4/2010	Mouquet	
4,936,894 A	6/1990	Larson et al.	D615,842 S	5/2010	Freeman	
D309,054 S	7/1990	Knox	D617,974 S	6/2010	Alfeld, Sr.	
D310,211 S	8/1990	Tanbe	D619,876 S	7/2010	Pastore	
4,951,577 A	8/1990	Bentley	D622,129 S	8/2010	Spivey et al.	
4,952,228 A	8/1990	Taylor et al.	D623,042 S	9/2010	Ranshaw et al.	
4,959,978 A	10/1990	Cappell	D623,824 S	9/2010	Pendleton	
5,046,339 A	9/1991	Krell	D625,577 S	10/2010	Bainter	
5,058,404 A	10/1991	Fish et al.	D630,260 S	1/2011	Cole et al.	
5,065,156 A	11/1991	Bernier	7,891,220 B2	2/2011	Yen et al.	
D350,002 S	8/1994	Viola	D634,915 S	3/2011	Nave et al.	
D351,499 S	10/1994	Gay et al.	D635,324 S	3/2011	Plato	
5,460,020 A	10/1995	Hungerford	D635,325 S	3/2011	Plato	
			7,913,526 B2	3/2011	Loughlin et al.	
			7,926,215 B2	4/2011	Riker et al.	
			D638,277 S	5/2011	Yang	
			D638,684 S	5/2011	Stevens	

(56)

References Cited

U.S. PATENT DOCUMENTS

7,934,406 B2 5/2011 Loughlin et al.
 7,946,141 B2 5/2011 Ng et al.
 D640,911 S 7/2011 Yang
 D641,535 S 7/2011 Kan
 D642,893 S 8/2011 Yang
 8,020,415 B2 9/2011 Corbin et al.
 D650,548 S 12/2011 Meekma et al.
 D654,654 S 2/2012 Meekma et al.
 D655,885 S 3/2012 Meekma et al.
 D662,395 S * 6/2012 Schmidt et al. D8/334
 D667,287 S 9/2012 Yang
 D678,037 S * 3/2013 Schmidt et al. D8/334
 D692,745 S * 11/2013 Stevens D8/334
 2003/0126896 A1 7/2003 Mori
 2003/0141959 A1 7/2003 Keogh et al.
 2003/0179075 A1 9/2003 Greenman
 2004/0226325 A1 11/2004 Ling
 2004/0261477 A1 12/2004 Wang
 2005/0086982 A1 4/2005 Nakazima et al.
 2005/0210937 A1 9/2005 Okuda
 2005/0223758 A1 10/2005 Yu
 2006/0065024 A1 3/2006 Gutierrez et al.
 2006/0137949 A1 6/2006 Levinson et al.
 2006/0213237 A1 9/2006 Yang
 2006/0266084 A1 11/2006 Kuo et al.
 2007/0144226 A1 6/2007 Miao
 2007/0175248 A1 8/2007 Wu et al.
 2007/0180873 A1 8/2007 Yen et al.
 2008/0098939 A1 5/2008 Kalous et al.

2008/0115544 A1 5/2008 Yang
 2008/0115546 A1 5/2008 Hu
 2009/0183537 A1 7/2009 Yen et al.
 2010/0242553 A1 9/2010 Yang
 2011/0210136 A1 9/2011 Wang

FOREIGN PATENT DOCUMENTS

JP 2011080253 A 4/2011
 TW 341083 9/2008
 WO 2008094137 8/2008

OTHER PUBLICATIONS

International Search Report and Written Opinion from International Application No. PCT/US2010/059217, date of mailing Feb. 8, 2011.
 International Search Report and Written Opinion from International Application No. PCT/US2007/04968 date of mailing Aug. 27, 2008.
 International Search Report and Written Opinion from International Application No. PCT/US2010/055039, date of mailing Jan. 11, 2011.
 Website printout, KeyGuard Products, Punch Button Lockbox: 222. KeyGuard-Products.com; infor@fjmsecurity.com; 2 pages, date unknown.
 Website printout, KeyGuard "Easy to Remember Words using Familiar Phone Key Pad Face," <http://keyguard-lock-boxes.com/lock,box.htm#Zero>; 2 pages, date unknown.
 Website printout; KeyGuard "Easy to Remember Words using Familiar Phone Key Pad Face." <http://keyguard-lock-boxes.com>; 2 pages, 2011.

* cited by examiner

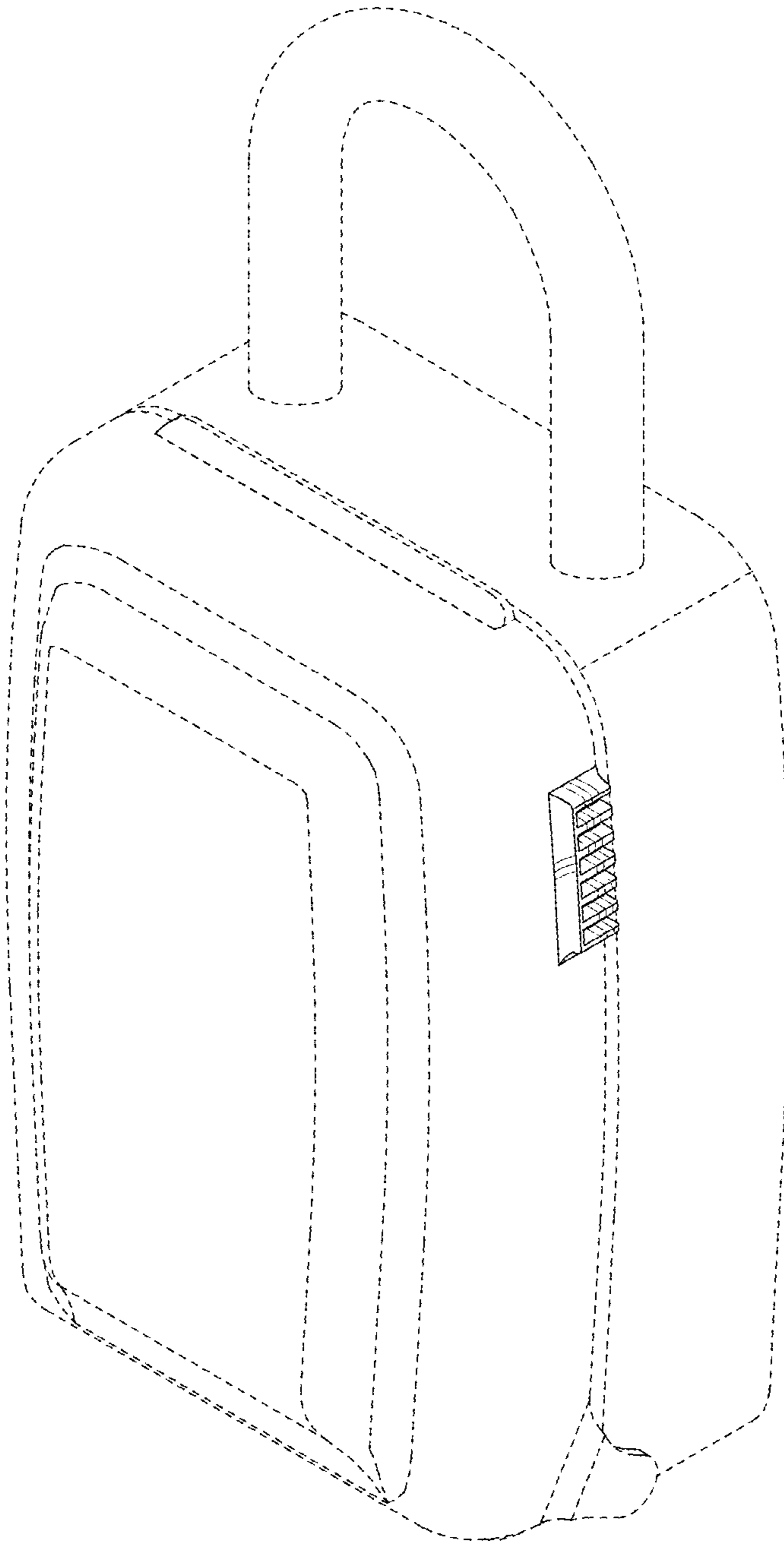


FIG. 1

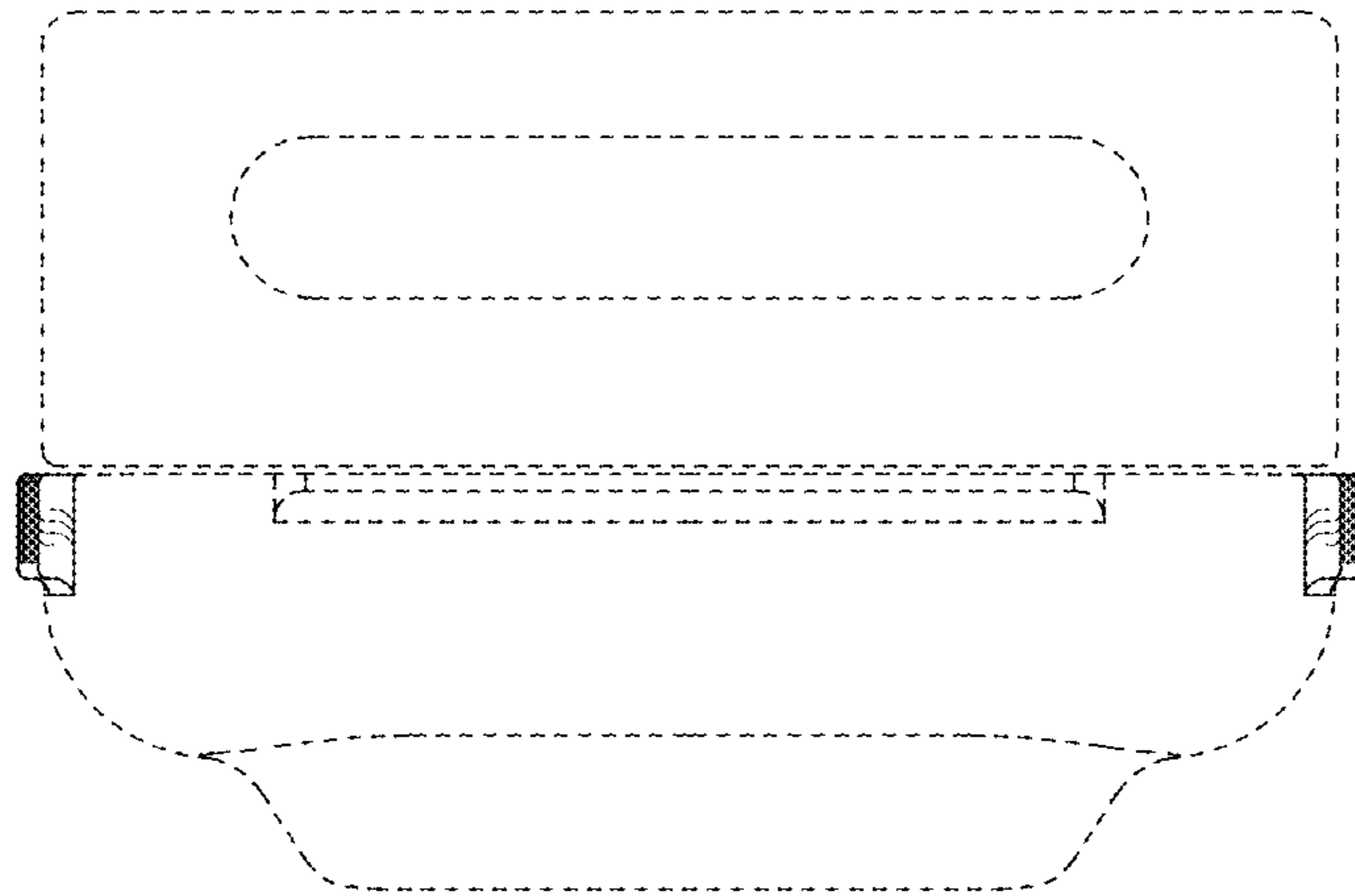


FIG. 2

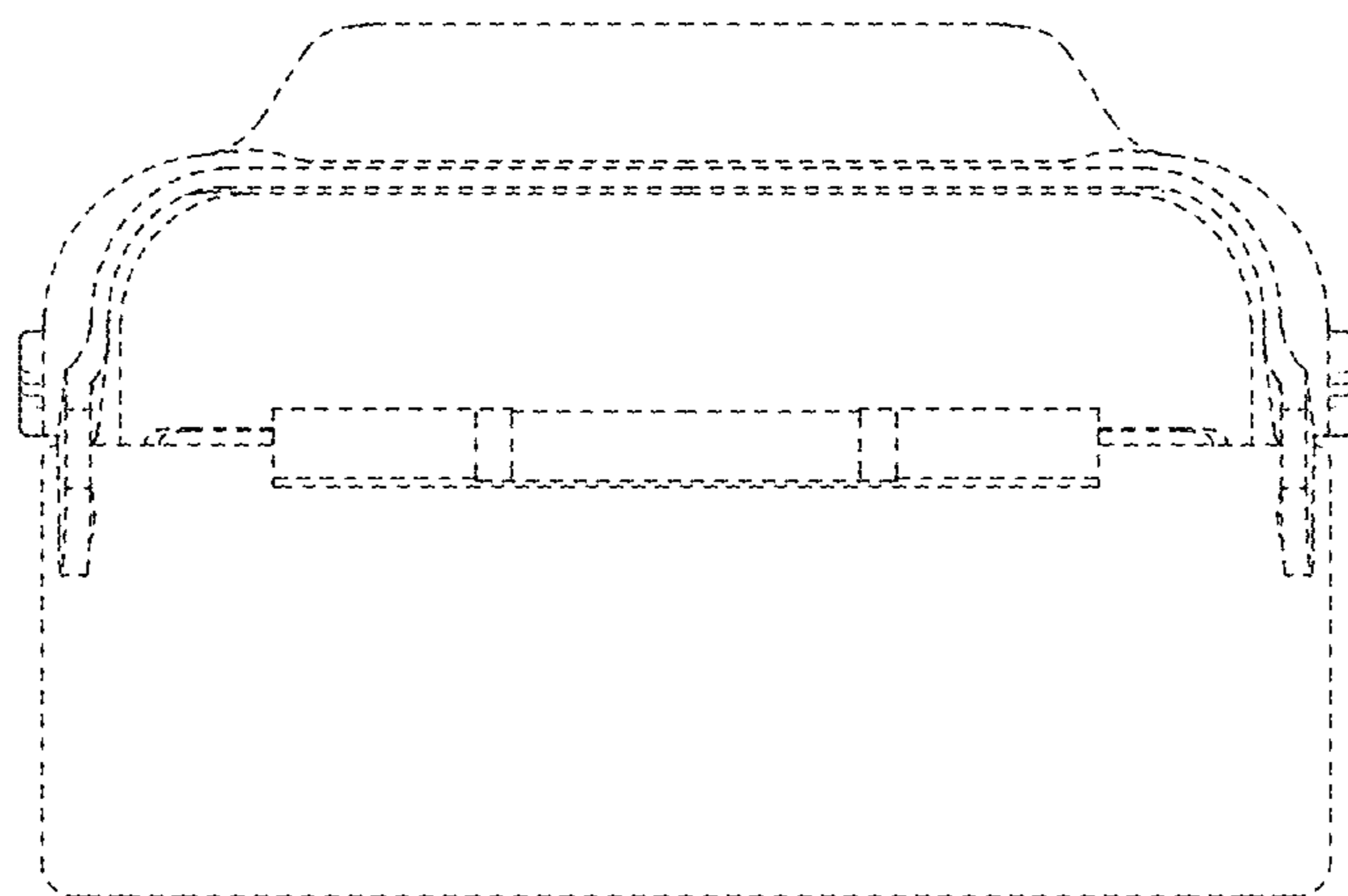


FIG. 3

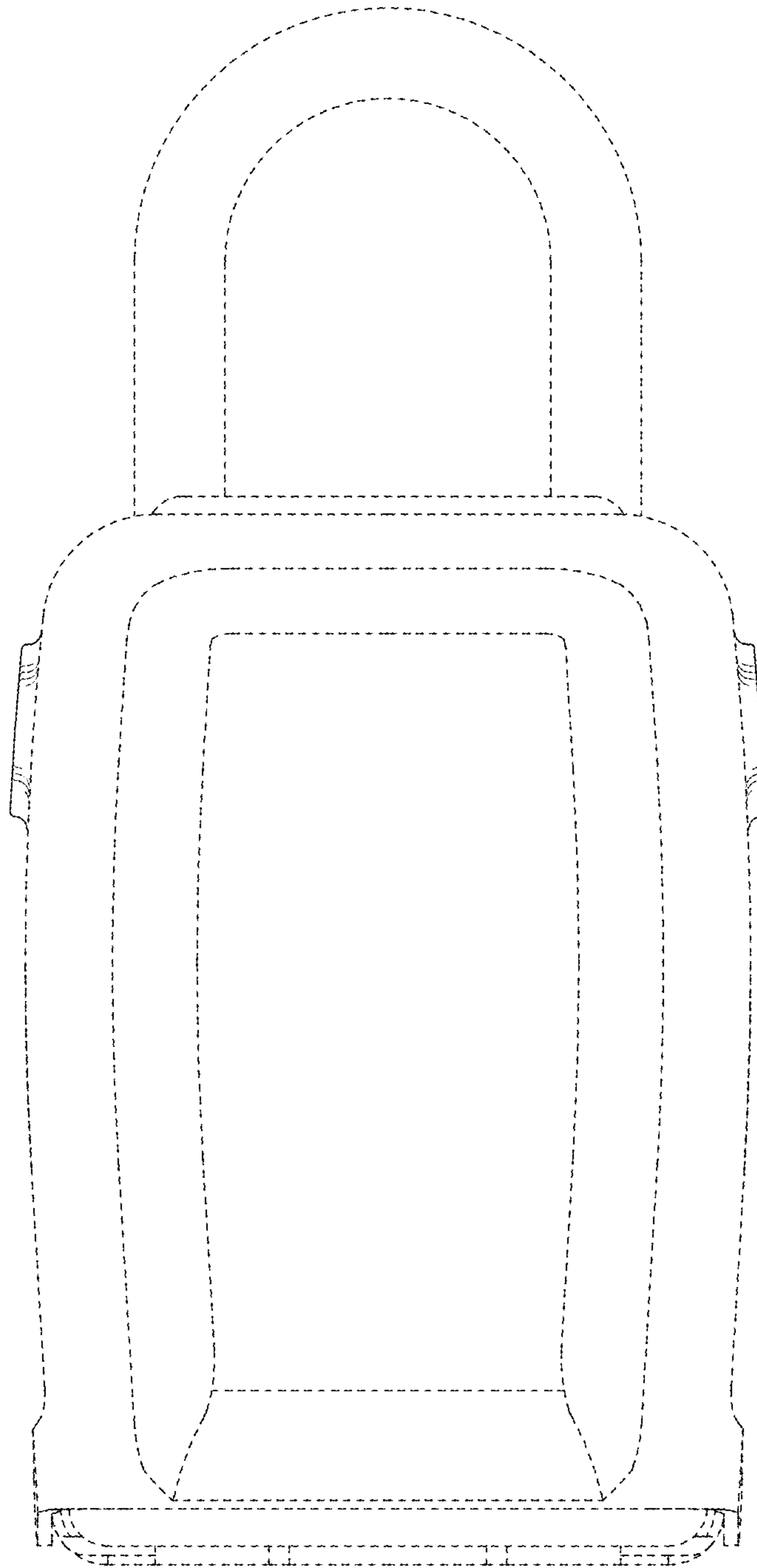


FIG. 4

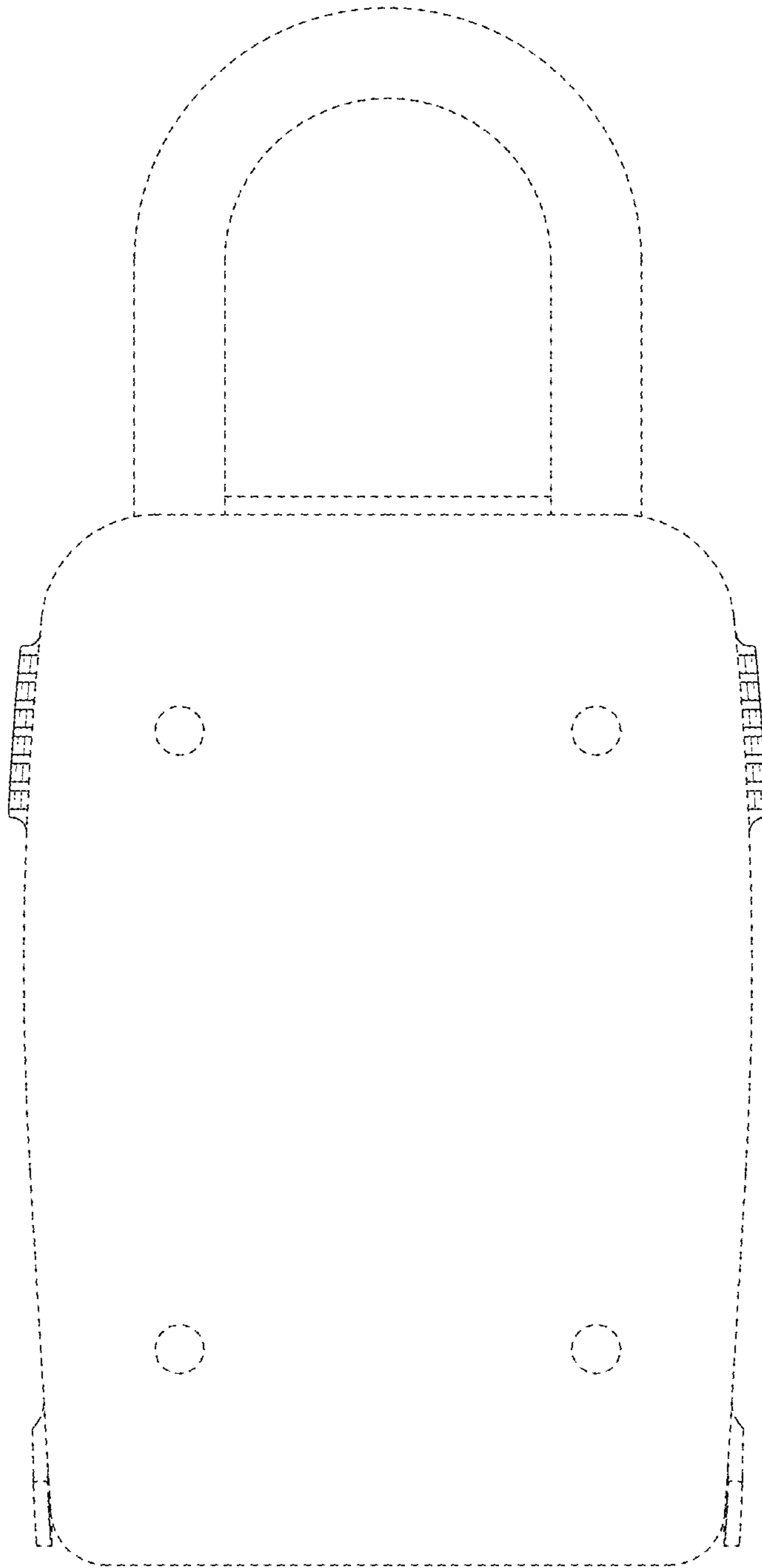


FIG. 5

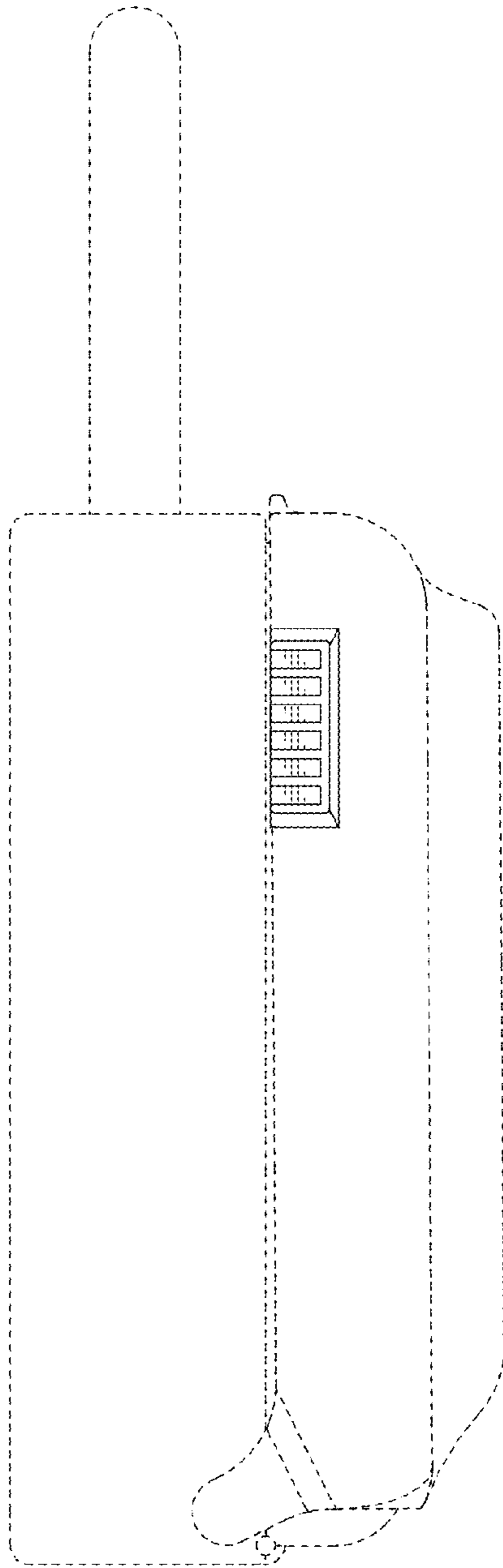


FIG. 6

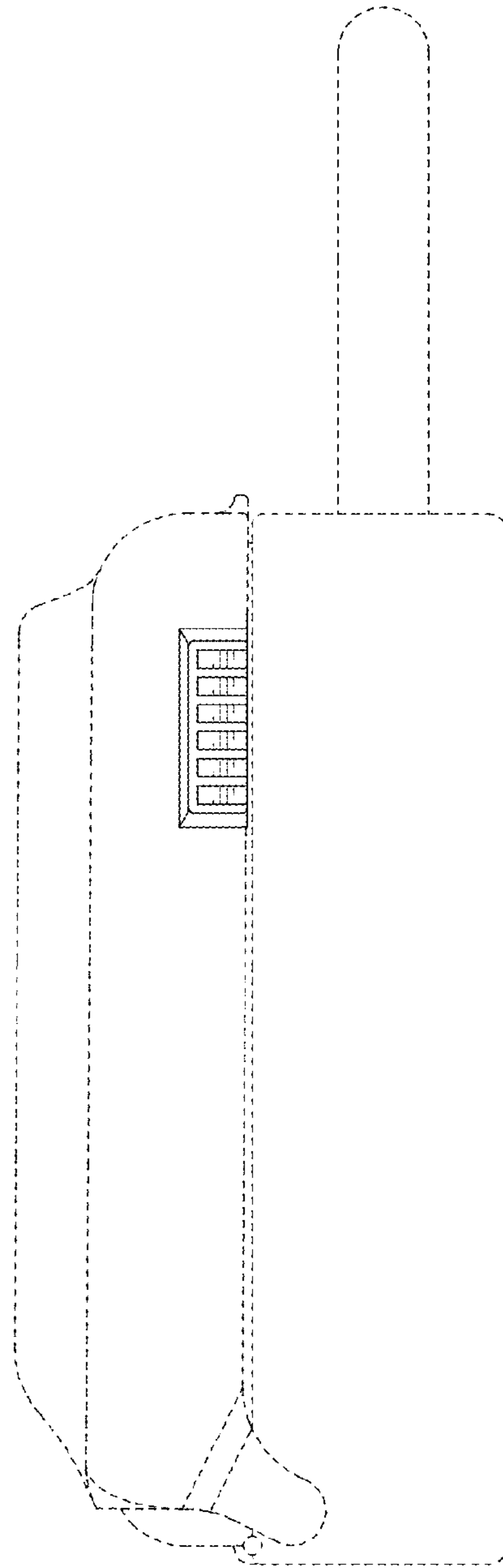


FIG. 7