



US00D703024S

(12) **United States Design Patent**  
**Paulson et al.**

(10) **Patent No.:** **US D703,024 S**  
(45) **Date of Patent:** **\*\* Apr. 22, 2014**

(54) **LOCK**  
(75) Inventors: **Dean A. Paulson**, Milwaukee, WI (US);  
**Scott B. Stevens**, St. Francis, WI (US);  
**Lea Marie Plato**, Shorewood, WI (US)  
(73) Assignee: **Master Lock Company LLC**, Oak  
Creek, WI (US)

D149,246 S \* 4/1948 Soref ..... D5/14  
3,395,555 A 8/1968 Hickman  
D212,170 S 9/1968 Owen et al.  
3,453,758 A 7/1969 Soref  
3,626,729 A 12/1971 Fane  
3,750,431 A 8/1973 Atkinson  
3,830,085 A 8/1974 Gerlach  
3,835,767 A 9/1974 Peterson  
3,983,725 A 10/1976 Manuel  
4,224,813 A 9/1980 Hampton

(\*\*) Term: **14 Years**

(Continued)

(21) Appl. No.: **29/430,637**

**OTHER PUBLICATIONS**

(22) Filed: **Aug. 28, 2012**

Master Lock No. 1 Padlocks Product Description, Master Lock web site, 2003, 2 pages.

(51) **LOC (10) Cl.** ..... **08-07**

(Continued)

(52) **U.S. Cl.**

USPC ..... **D8/334**

(58) **Field of Classification Search**

USPC ..... D8/330, 331, 334, 338, 336, 345, 339;  
70/14, 18, 20, 24, 25, 31, 35, 38 R,  
70/38 A, 38 B, 38 C, 51-56, 91, 141,  
70/DIG. 3, DIG. 4, DIG. 43, DIG. 56

*Primary Examiner* — Prabhakar Deshmukh

(74) *Attorney, Agent, or Firm* — Calfee, Halter & Griswold LLP

See application file for complete search history.

(57)

**CLAIM**

We claim the ornamental design for a lock, as shown and described.

(56) **References Cited**

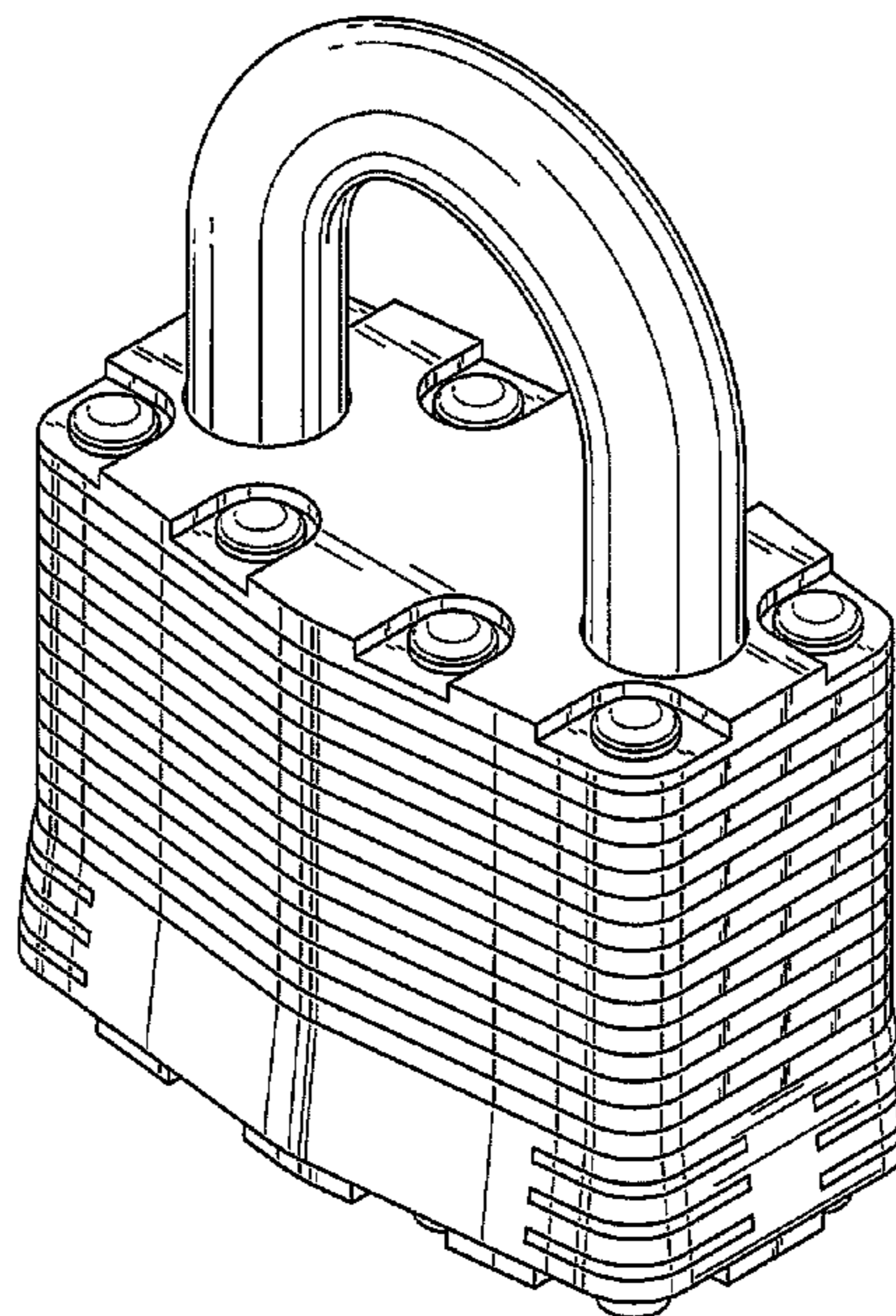
**DESCRIPTION**

**U.S. PATENT DOCUMENTS**

526,740 A 10/1894 Rapaport  
568,701 A 9/1896 Roberts  
D32,638 S 5/1900 Voight  
661,560 A 11/1900 Stall  
666,231 A 1/1901 Lawson  
767,004 A 8/1904 Muchowicz  
1,016,455 A 2/1912 Stone  
1,455,770 A 5/1923 Anderson  
1,490,987 A \* 4/1924 Soref ..... 70/52  
1,629,388 A 5/1927 Jackson  
1,777,424 A 10/1930 Thomas

FIG. 1 is a perspective view of a lock showing our new design; FIG. 2 is a front elevational view of the lock of FIG. 1; FIG. 3 is a rear elevational view of the lock of FIG. 1; FIG. 4 is a right side elevational view of the lock of FIG. 1; FIG. 5 is a left side elevational view of the lock of FIG. 1; FIG. 6 is a top plan view of the lock of FIG. 1; and, FIG. 7 is a bottom plan view of the lock of FIG. 1. The broken lines are for illustrative purpose only and form no part of the claimed design.

**1 Claim, 5 Drawing Sheets**



(56)

References Cited

U.S. PATENT DOCUMENTS

4,226,100 A \* 10/1980 Hampton et al. .... 70/51  
 4,317,344 A 3/1982 Barnard  
 5,253,496 A 10/1993 Wang  
 D352,223 S 11/1994 Shieh  
 5,372,019 A 12/1994 Hsiao  
 D360,125 S 7/1995 Taylor  
 D392,540 S 3/1998 McDaid  
 5,727,405 A 3/1998 Cromwell  
 D395,224 S 6/1998 Turner  
 5,761,935 A \* 6/1998 Adelmeyer ..... 70/55  
 D400,078 S 10/1998 Adelmeyer  
 D402,532 S 12/1998 Turner  
 D406,044 S 2/1999 Turner  
 D408,252 S 4/1999 Holland-Letz  
 D408,261 S 4/1999 Gregory  
 D408,262 S \* 4/1999 Liu ..... D8/334  
 D423,324 S 4/2000 Liu  
 D423,908 S 5/2000 Liu  
 D433,310 S 11/2000 Luquire  
 D433,311 S 11/2000 Luquire  
 D442,059 S 5/2001 Turner  
 D449,509 S 10/2001 Liu  
 D454,486 S 3/2002 Streibel  
 6,530,248 B1 3/2003 Parker  
 6,539,754 B1 \* 4/2003 Fang ..... 70/52  
 D484,391 S 12/2003 Hackbarth et al.  
 D484,777 S 1/2004 Ruan  
 D486,721 S 2/2004 Ling  
 6,705,134 B2 3/2004 Miranda  
 6,708,533 B2 3/2004 Lavikainen et al.  
 D489,244 S 5/2004 Vito  
 D491,044 S 6/2004 Vito  
 6,766,673 B2 7/2004 Gast et al.  
 6,769,277 B1 8/2004 Chang  
 6,813,914 B2 11/2004 Chen  
 D516,896 S 3/2006 Kearns et al.

D520,339 S 5/2006 Heppner  
 D524,145 S 7/2006 Heppner  
 D528,401 S 9/2006 Ruan  
 D528,402 S 9/2006 Ruan  
 D529,368 S 10/2006 Ruan  
 D529,369 S 10/2006 Ruan  
 D529,786 S 10/2006 Heppner  
 D533,764 S 12/2006 Heppner  
 D537,320 S \* 2/2007 Kearns et al. .... D8/334  
 D537,703 S \* 3/2007 Kearns et al. .... D8/334  
 D541,631 S 5/2007 Heppner  
 D547,161 S 7/2007 Blomstrom et al.  
 D558,025 S 12/2007 Rohde et al.  
 D578,864 S \* 10/2008 Rohde et al. .... D8/334  
 D587,985 S 3/2009 Zorc et al.  
 D587,986 S 3/2009 Zorc et al.  
 7,533,649 B2 5/2009 Kemnitz et al.  
 D605,928 S 12/2009 Stevens et al.  
 D606,382 S \* 12/2009 Stevens ..... D8/334  
 D606,842 S 12/2009 Stevens et al.  
 D638,684 S \* 5/2011 Stevens ..... D8/334  
 D646,148 S \* 10/2011 Good et al. .... D8/334

OTHER PUBLICATIONS

Master Lock No. 5 Padlocks Product Description, Master Lock web site, 2003, 2 pages.  
 Master Lock No. 15 Padlocks Product Description, Master Lock web site, 2003, 1 page.  
 Master Lock, Laminated Padlocks—No. MIXD, Product Description, Master Lock web site, 2012, 3 pages.  
 Master Lock, Laminated Padlocks—No. 3UP, Product Description, Master Lock web site, 2012, 3 pages.  
 Lokleg Catalog, 1995, front page.  
 New Zealand Search Report, Application No. 408162, dated Oct. 5, 2006, pp. 2.  
 RCD Information on OHIM 00007244-0002, dated Nov. 30, 2006, <http://oamieurope.eu/RDCOOnline/Request Manager>, pp. 4.

\* cited by examiner

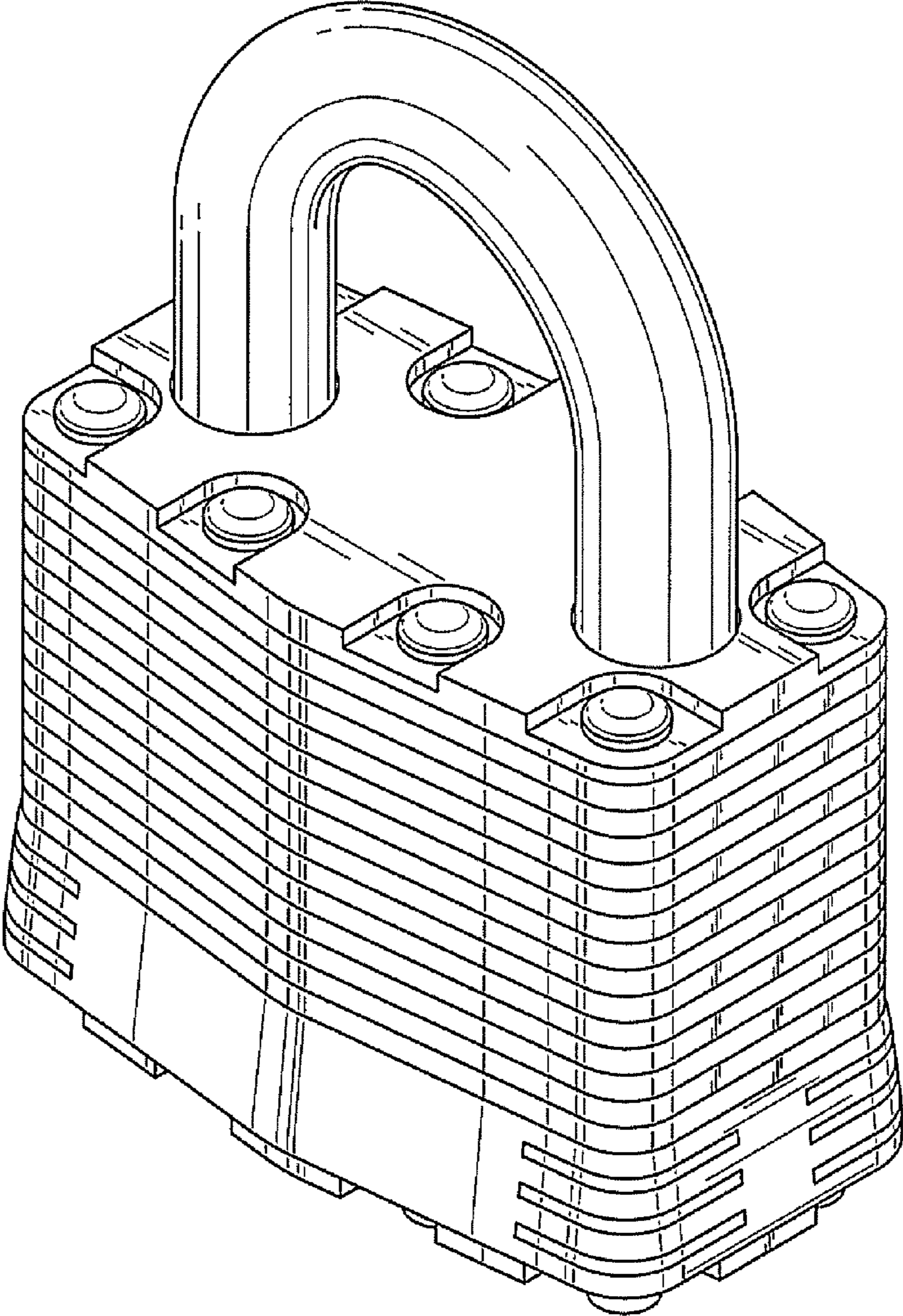


FIG. 1



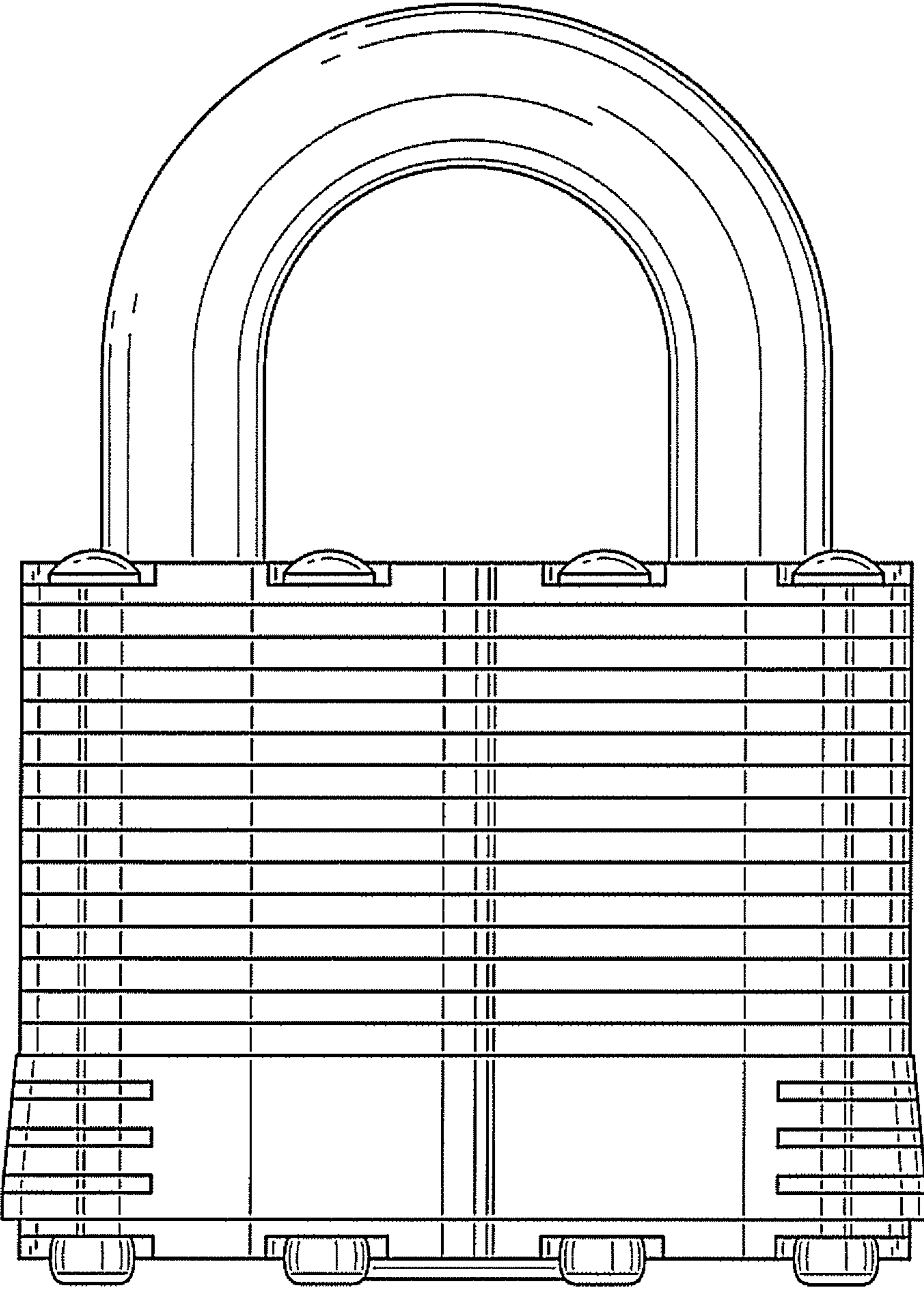


FIG. 2

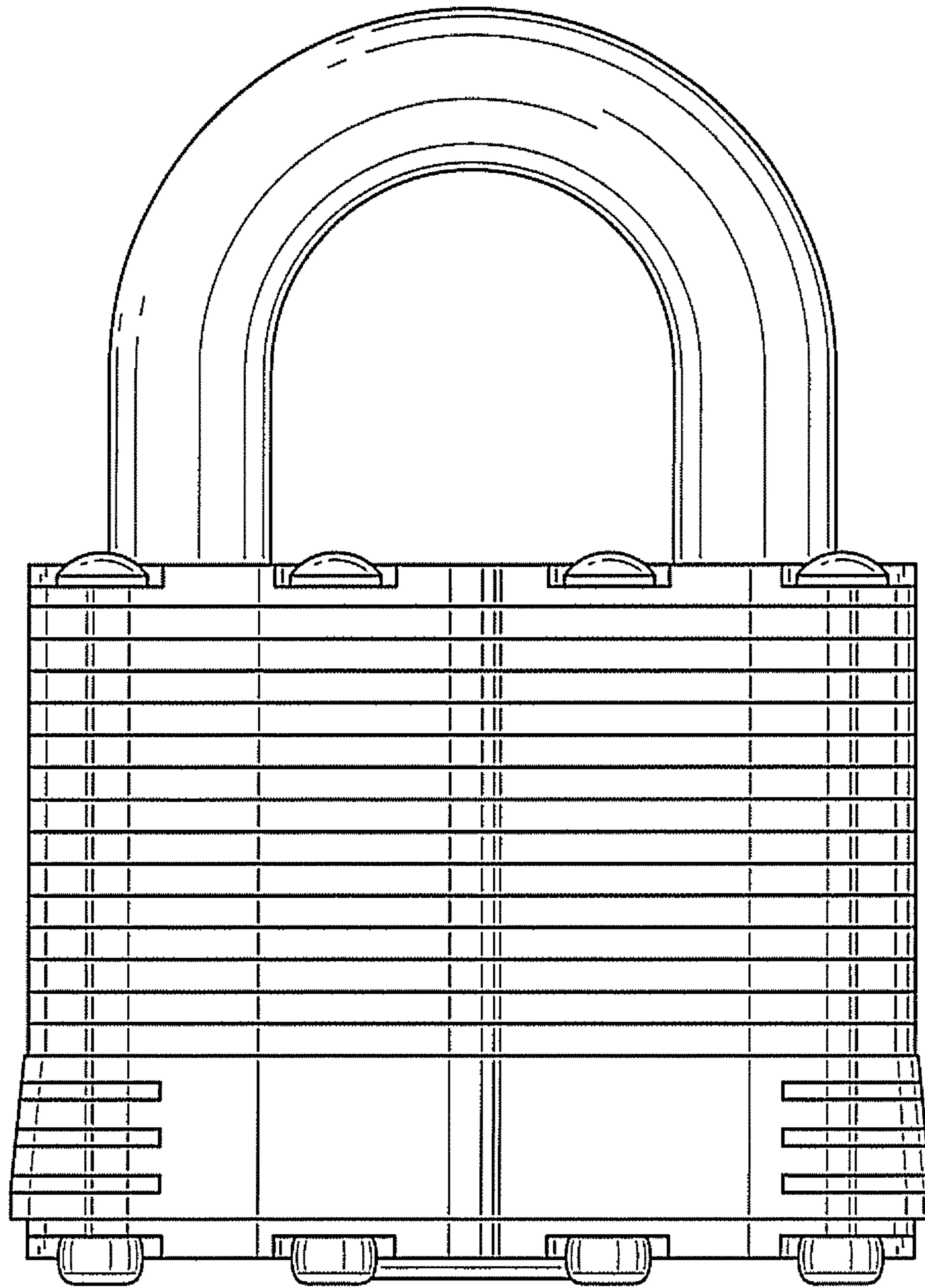


FIG. 3

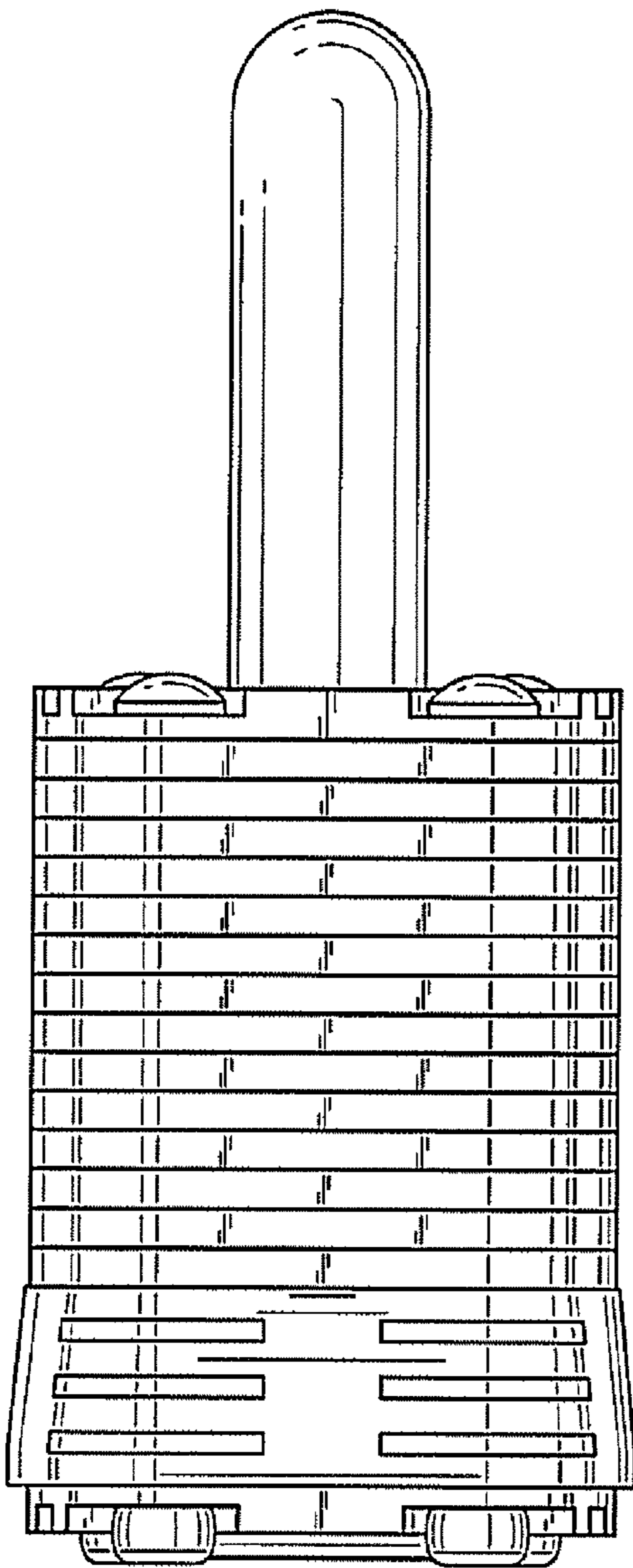


FIG. 4

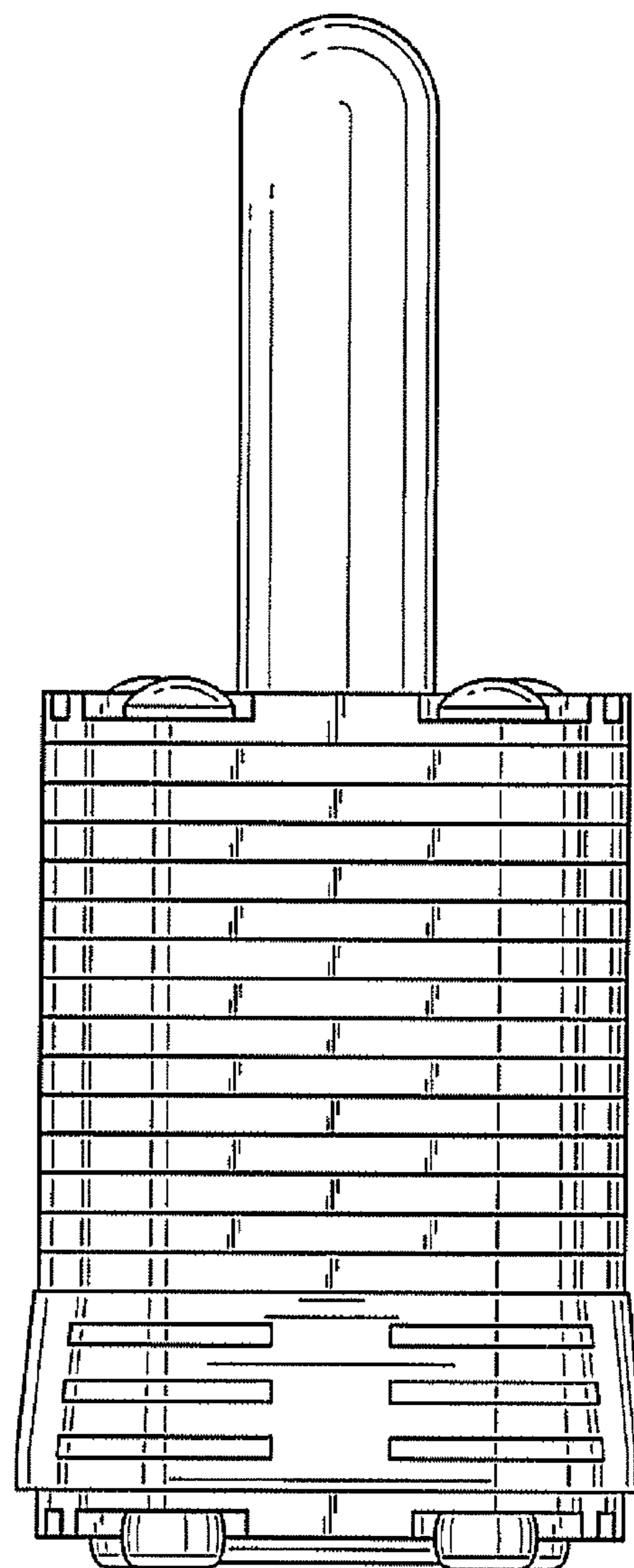


FIG. 5

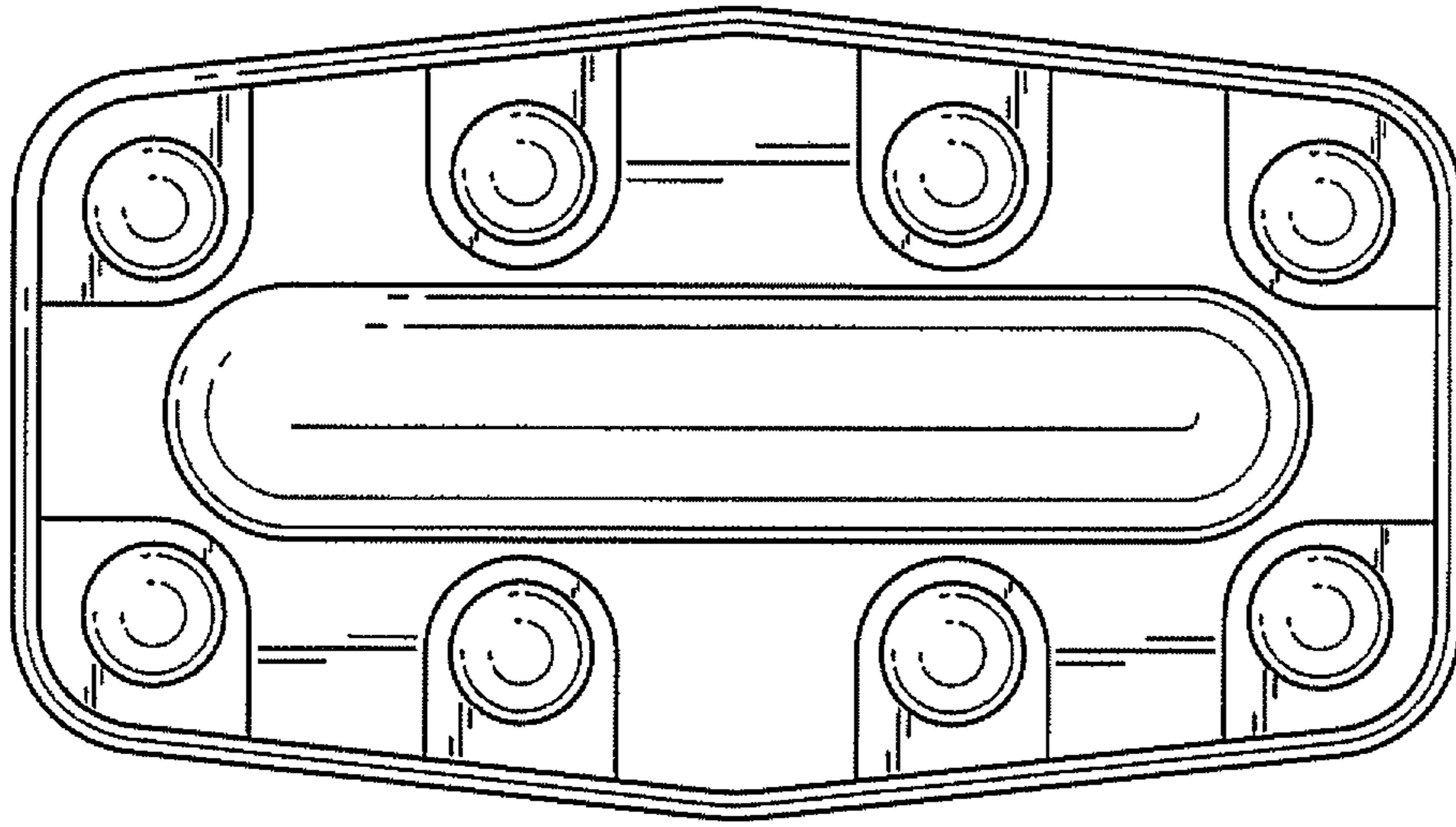


FIG. 6

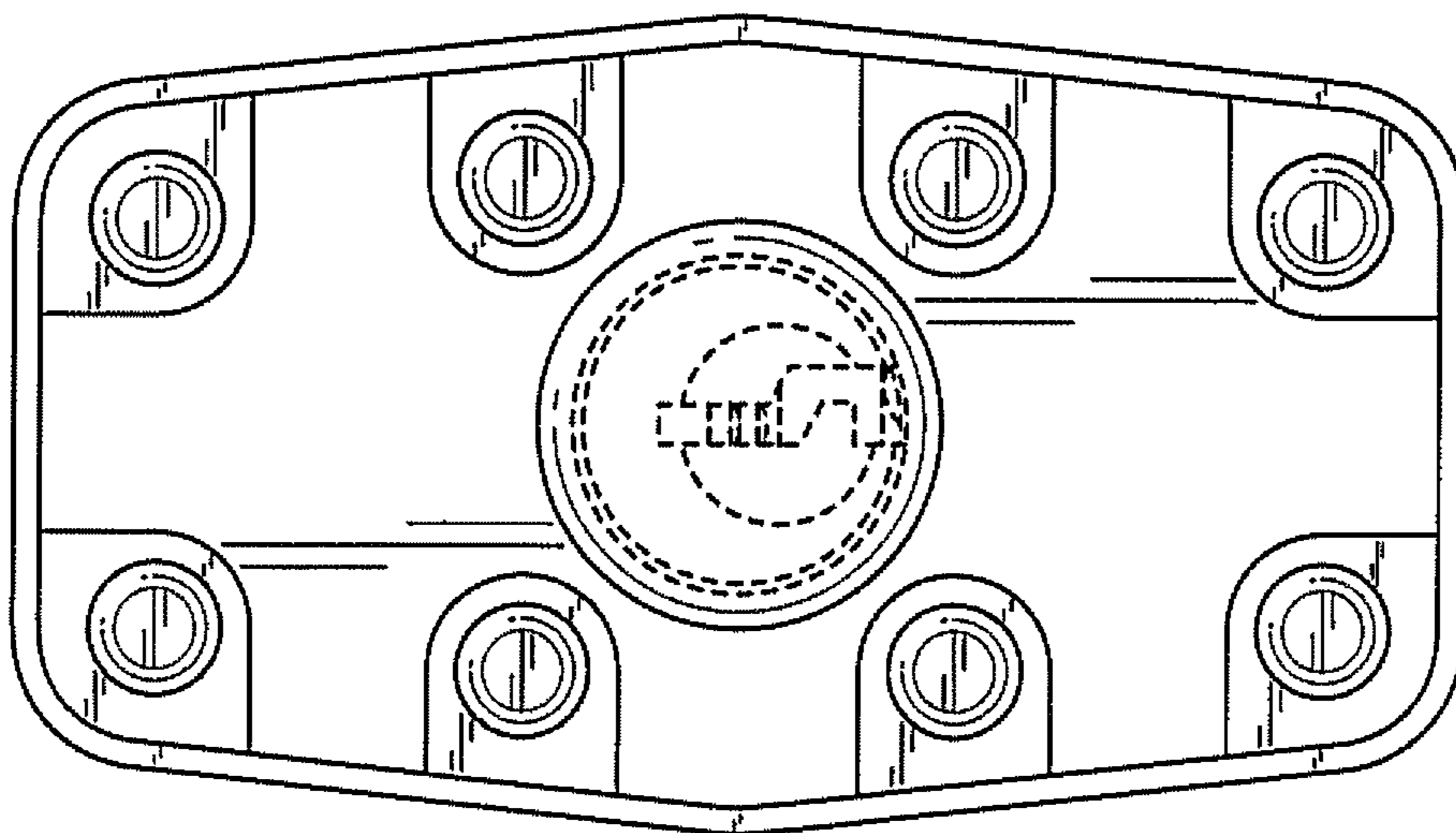


FIG. 7