



US00D703021S

(12) **United States Design Patent**
Thomas et al.

(10) **Patent No.:** **US D703,021 S**
(45) **Date of Patent:** **** Apr. 22, 2014**

- (54) **KNIFE**
- (71) Applicant: **Fiskars Brands, Inc.**, Madison, WI (US)
- (72) Inventors: **Kyle Thomas**, Bellingham, WA (US);
Patrick Vaiden Hunt, Carlton, OR (US)
- (73) Assignee: **Fisksars Brands, Inc.**, Madison, WI (US)
- (**) Term: **14 Years**
- (21) Appl. No.: **29/432,846**
- (22) Filed: **Sep. 21, 2012**
- (51) **LOC (10) Cl.** **08-03**
- (52) **U.S. Cl.**
USPC **D8/99**
- (58) **Field of Classification Search**
USPC D8/1, 20, 95, 97-100, 105; D22/118;
D7/649, 650, 652; 7/118; 30/155,
30/158-161, 346, 351, 352, 355-357
See application file for complete search history.

(56) **References Cited**

U.S. PATENT DOCUMENTS

4,730,394	A	*	3/1988	Sonner, Jr.	30/161
D361,254	S	*	8/1995	Silberstein	D8/99
D373,062	S	*	8/1996	Neron	D8/99
D383,370	S		9/1997	Chen et al.	
D413,503	S	*	9/1999	Dugdale	D8/99
5,964,036	A	*	10/1999	Centofante	30/161
D429,986	S	*	8/2000	Cheng	D8/99
D464,553	S	*	10/2002	Brown	D8/99
D492,568	S	*	7/2004	Allen	D8/99
D519,798	S		5/2006	Dallas	
D553,468	S		10/2007	Freeman	
D558,022	S	*	12/2007	McLean et al.	D8/99
D581,241	S		11/2008	Freeman	

D582,243	S		12/2008	Freeman et al.	
D582,747	S		12/2008	Freeman et al.	
D610,646	S		2/2010	Harsey, Jr. et al.	
D614,473	S	*	4/2010	Freeman et al.	D8/107
D614,933	S		5/2010	Freeman et al.	
D623,040	S	*	9/2010	Freeman et al.	D8/107
D636,051	S		4/2011	Freeman et al.	

(Continued)

OTHER PUBLICATIONS

U.S. Appl. No. 29/432,847, filed Sep. 21, 2012, Thomas et al.

(Continued)

Primary Examiner — Philip S Hyder

Assistant Examiner — Roselynn Cody

(74) *Attorney, Agent, or Firm* — Foley & Lardner LLP

(57) **CLAIM**

We claim the ornamental design for a knife, as shown and described.

DESCRIPTION

FIG. 1 is a rear top perspective view of the claimed design.

FIG. 2 is a rear bottom perspective view thereof.

FIG. 3 is a left side view thereof.

FIG. 4 is a right side view thereof.

FIG. 5 is a front view thereof.

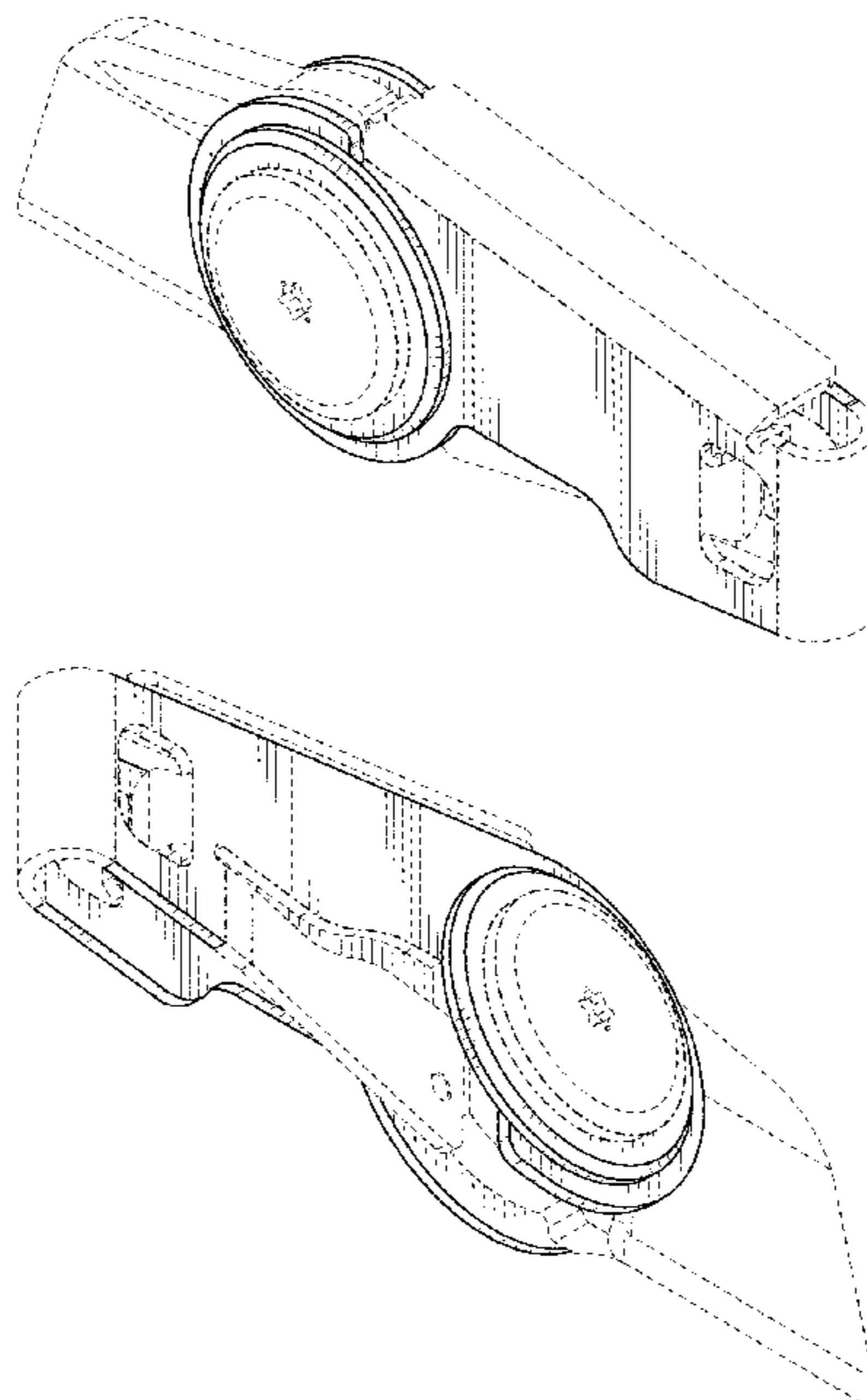
FIG. 6 is a rear view thereof.

FIG. 7 is top view thereof; and,

FIG. 8 is a bottom view thereof.

The broken lines in the drawings are for illustrative purposes only and form no part of the claimed design. Broken lines formed by equal length dashes show unclaimed portions of the design. Broken lines formed of unequal length dashes (i.e., dash-dot) show boundaries between claimed and unclaimed portions of the design.

1 Claim, 3 Drawing Sheets



(56)

References Cited

U.S. PATENT DOCUMENTS

D636,052 S	4/2011	Freeman et al.	
D636,053 S	4/2011	Freeman et al.	
D638,904 S	5/2011	Freeman et al.	
D639,632 S	6/2011	Freeman et al.	
D661,367 S	6/2012	Seeds et al.	
D664,826 S *	8/2012	Lebeau	D8/99
D664,827 S *	8/2012	Lebeau	D8/99
2010/0299934 A1 *	12/2010	VanHoy	30/161

OTHER PUBLICATIONS

U.S. Appl. No. 29/432,848, filed Sep. 21, 2012, Thomas et al.
U.S. Appl. No. 29/391,770, filed May 12, 2011, Seeds et al.
U.S. Appl. No. 29/428,036, filed Jul. 27, 2012, Cagampang.
U.S. Appl. No. 29/428,262, filed Jul. 25, 2012, Freeman et al.
U.S. Appl. No. 29/431,026, filed Aug. 31, 2012, Seeds.

* cited by examiner

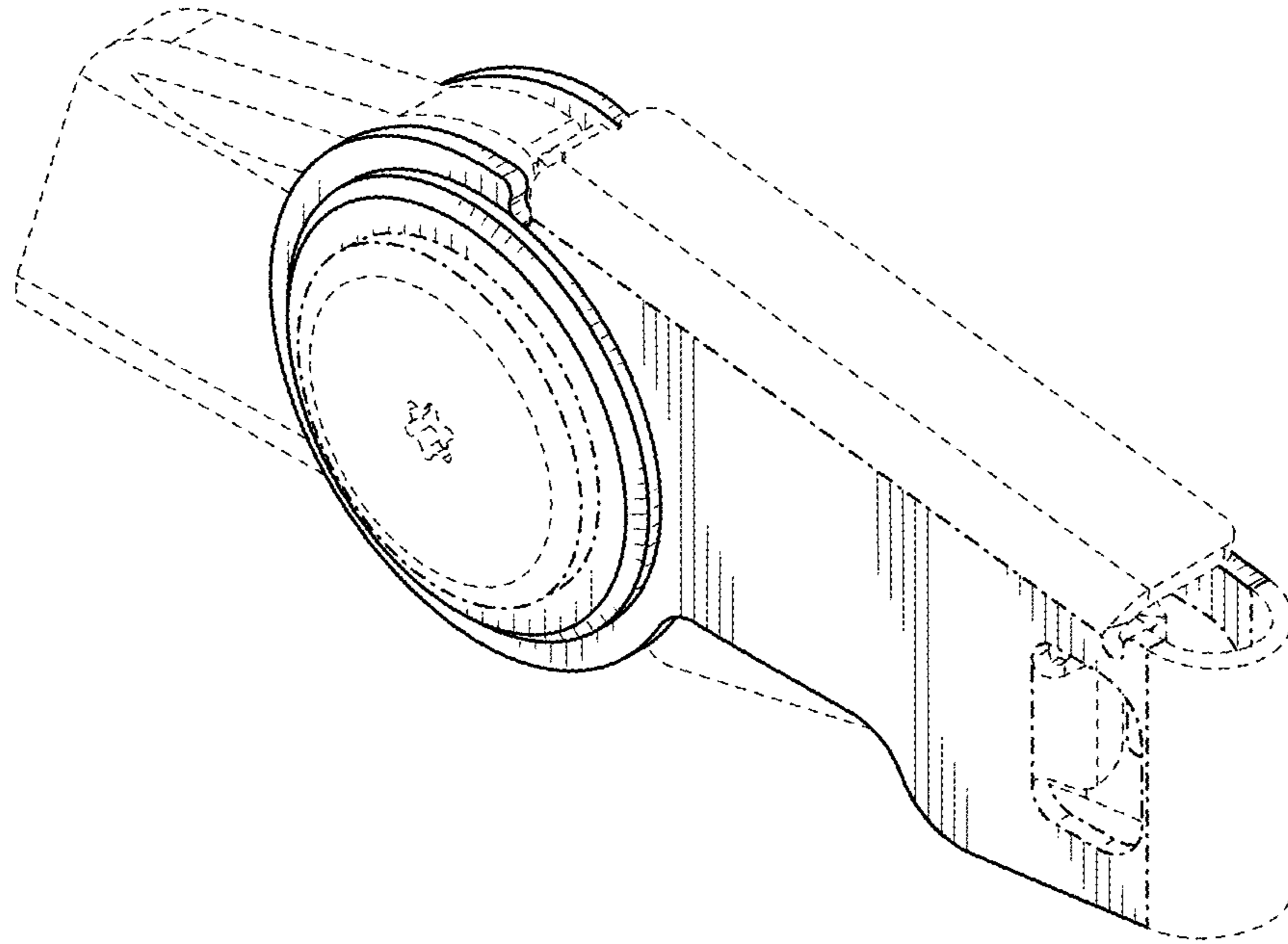


FIG. 1

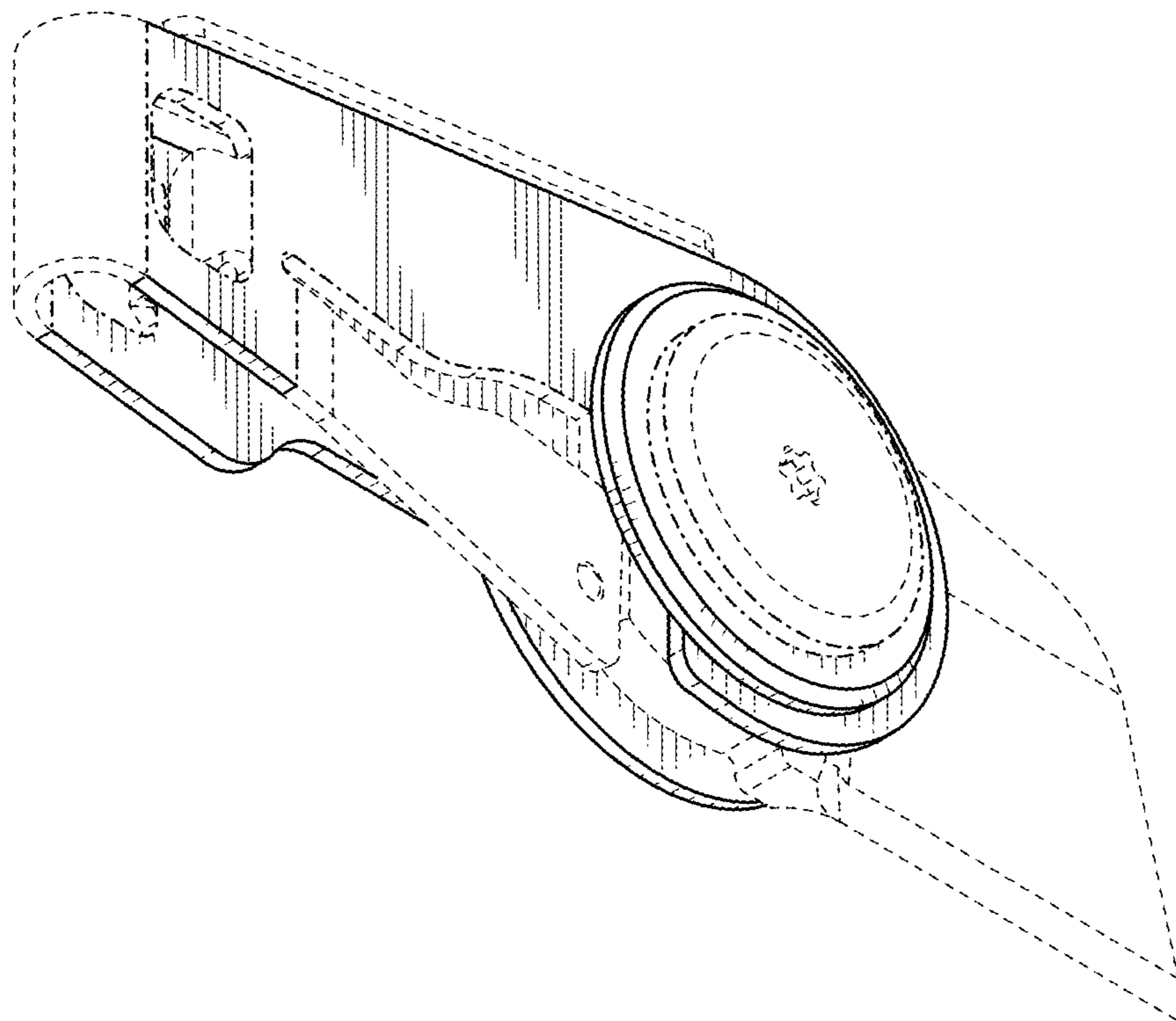


FIG. 2

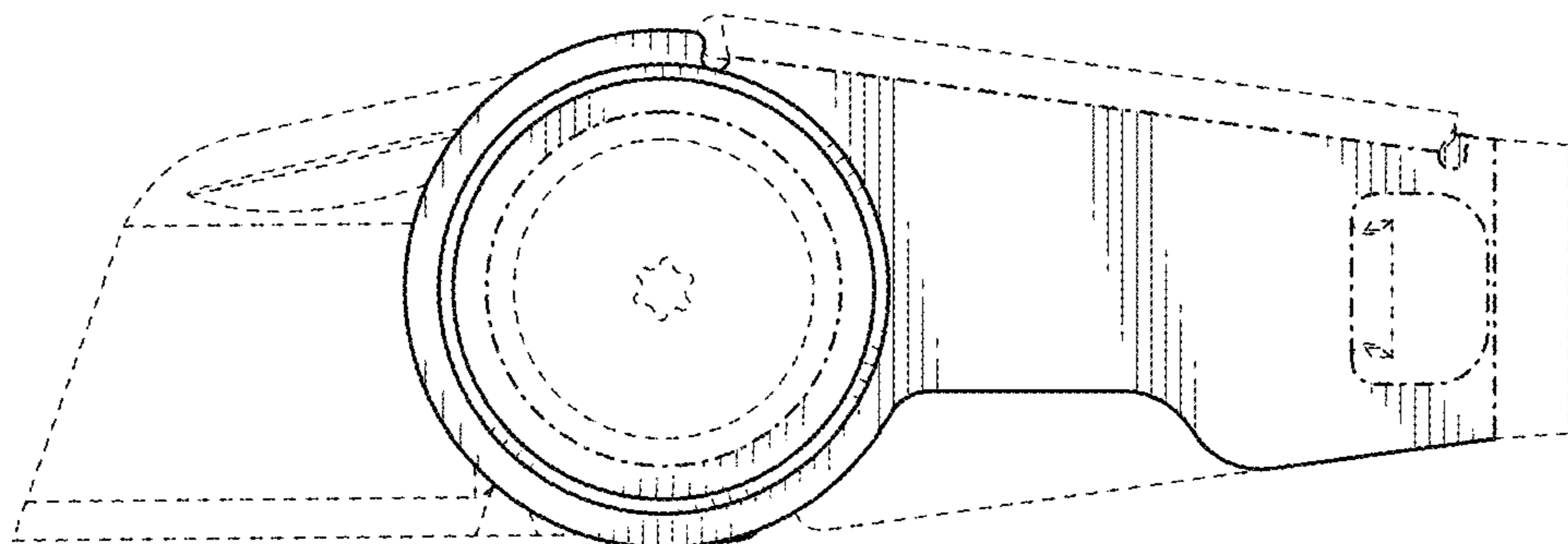


FIG. 3

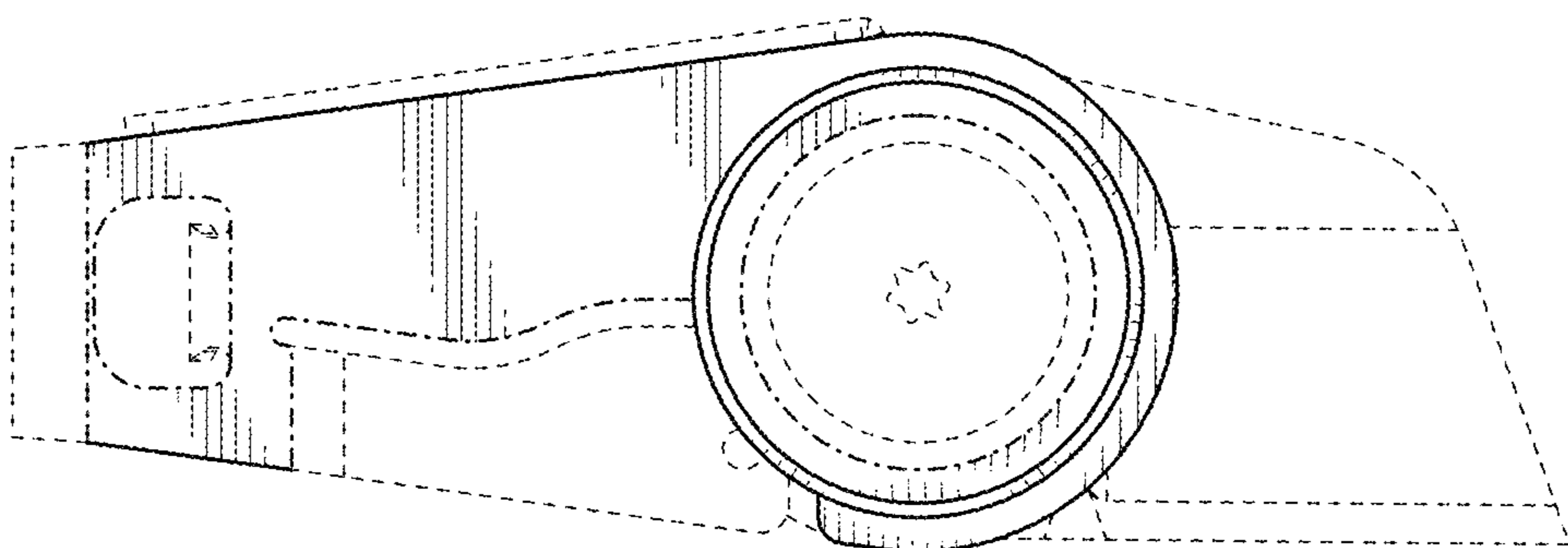


FIG. 4

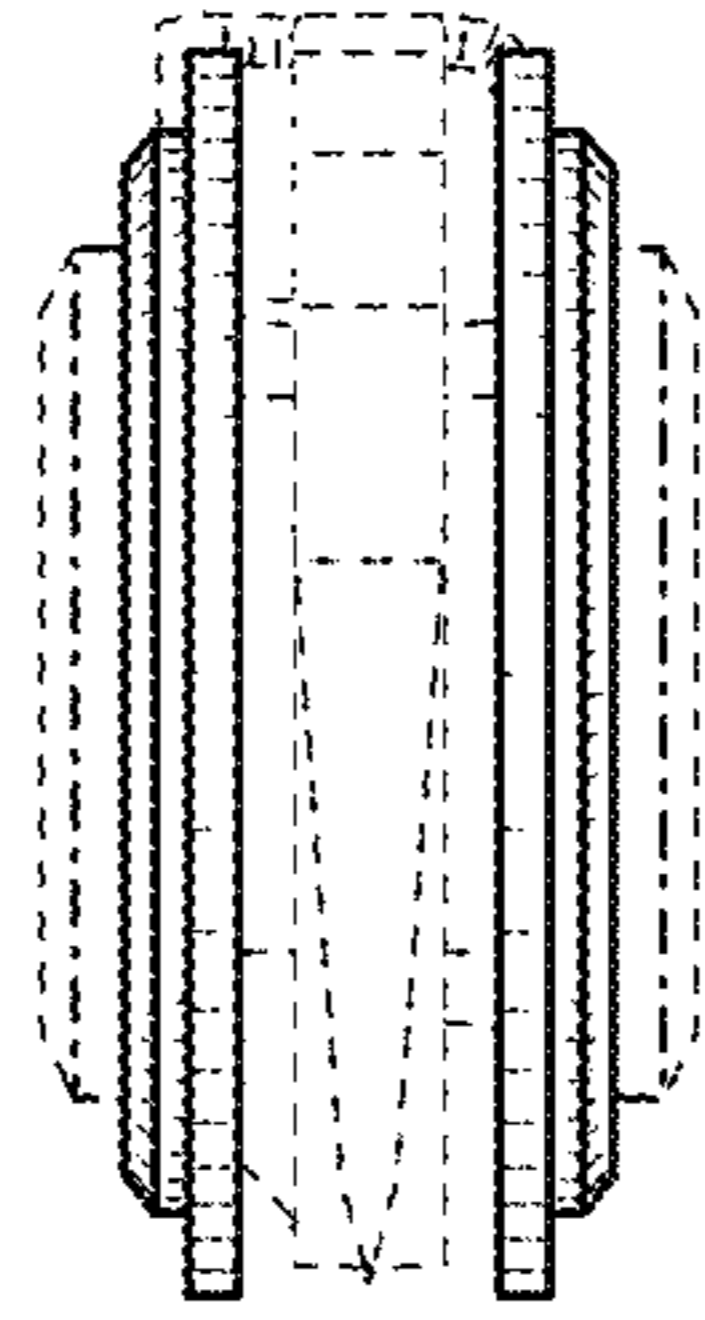


FIG. 5

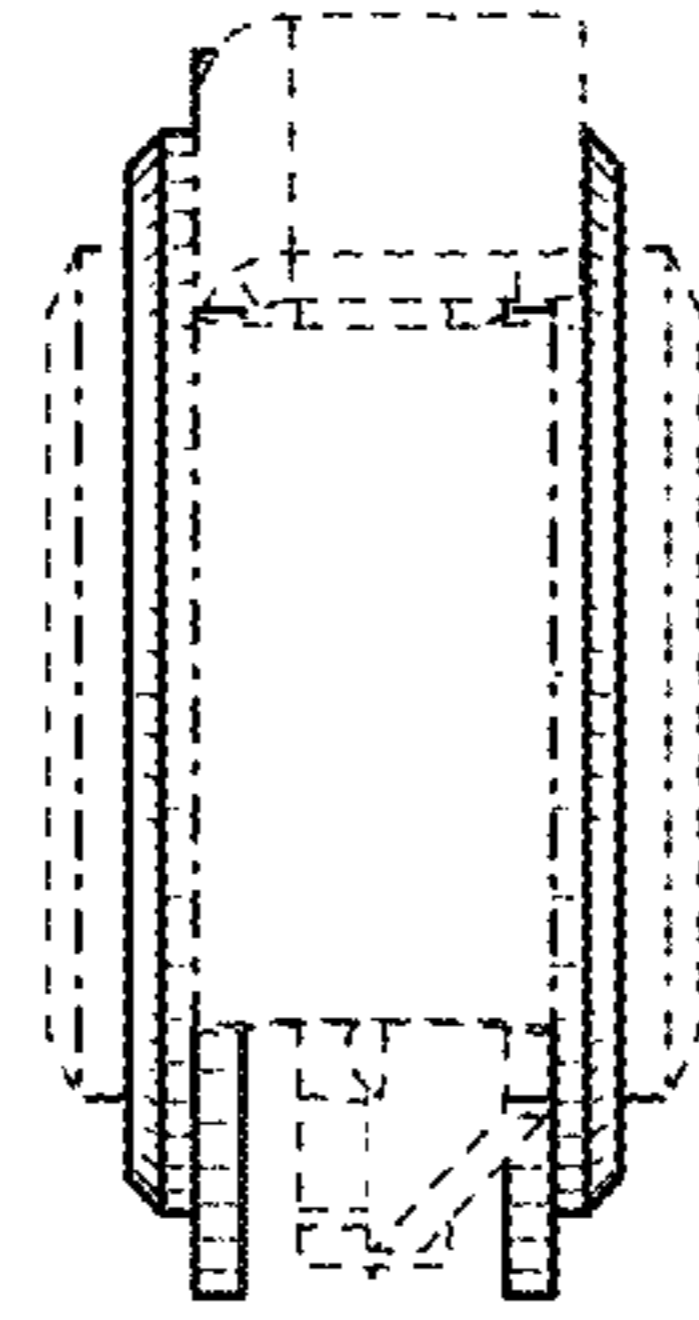


FIG. 6

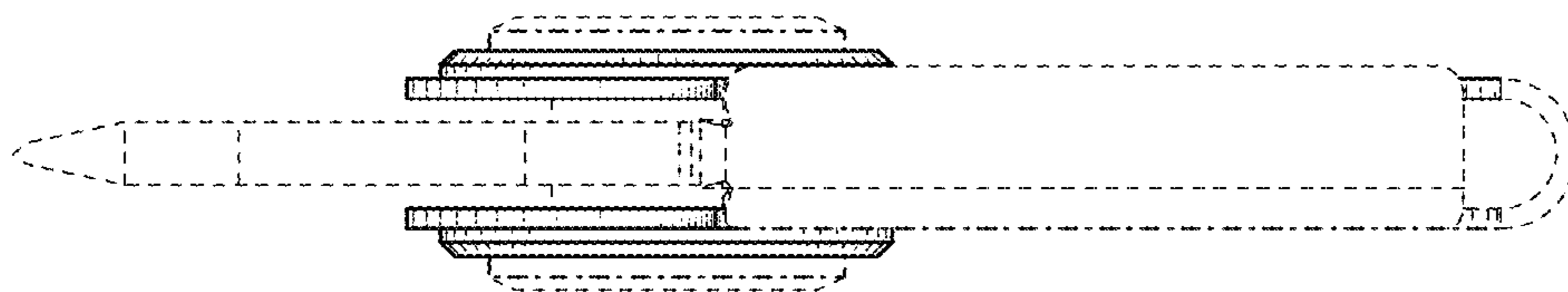


FIG. 7

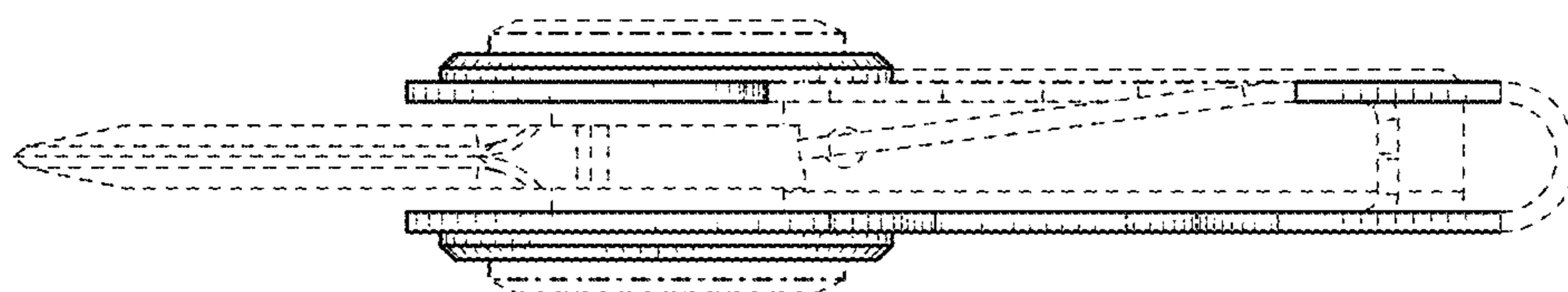


FIG. 8