



US00D703020S

(12) **United States Design Patent**
Zhu et al.

(10) **Patent No.:** **US D703,020 S**
(45) **Date of Patent:** **** Apr. 22, 2014**

(54) **ADHESIVE GUN**

D619,438 S * 7/2010 Lee D8/68
8,011,538 B2 * 9/2011 Herman et al. 222/326
D677,136 S 3/2013 Davis

(71) Applicant: **Ingersoll-Rand Company**, Davidson,
NC (US)

(72) Inventors: **Juanjuan Zhu**, Shanghai (CN);
Jinzhong Yang, Suzhou (CN)

(73) Assignee: **Ingersoll-Rand Company**, Davidson,
NC (US)

(**) Term: **14 Years**

(21) Appl. No.: **29/448,516**

(22) Filed: **Mar. 13, 2013**

(51) **LOC (10) Cl.** **08-04**

(52) **U.S. Cl.**
USPC **D8/68**

(58) **Field of Classification Search**
USPC D8/14, 14.1, 29.1, 51, 61, 67, 68, 69,
D8/70; 89/7; 124/74; 222/325, 326, 327,
222/330, 333; 227/9

See application file for complete search history.

(56) **References Cited**

U.S. PATENT DOCUMENTS

D245,474 S * 8/1977 Scholl D8/30
D289,968 S * 5/1987 Somers D8/68
D367,727 S * 3/1996 Rittenhouse et al. D28/13
D446,434 S * 8/2001 Ashbaugh et al. D8/68
D487,219 S * 3/2004 Chudy et al. D8/68
D537,565 S * 2/2007 Shin D28/13
D571,177 S 6/2008 Price et al.
D573,425 S * 7/2008 Post et al. D8/14.1
D592,479 S 5/2009 Price et al.
D608,176 S * 1/2010 Heidelberger D8/68

OTHER PUBLICATIONS

18 Volt One+™ Power Caulk & Adhesive Gun. Oct. 30, 2004
[online], [retrieved on Nov. 20, 2013]. Retrieved from the Internet
<URL: http://www.ryobitools.com/catalog/power_tools/specialty_tools/P310>.*

Milwaukee. M12™ 10oz. Caulk and Adhesive Gun. Operations
Manual. Jul. 6, 2012 [online], [retrieved on Nov. 20, 2013]. Retrieved
from the Internet <URL: <http://documents.milwaukeeetool.com/58-14-2441d2.pdf>>.*

(Continued)

Primary Examiner — Philip S Hyder

Assistant Examiner — Darlington Ly

(74) *Attorney, Agent, or Firm* — Barnes & Thornburg LLP

(57) **CLAIM**

The ornamental design for an adhesive gun, as shown and
described.

DESCRIPTION

FIG. 1 is a front perspective view of a design of an adhesive
gun;

FIG. 2 is a front elevation view of the adhesive gun of FIG. 1;

FIG. 3 is a rear elevation view of the adhesive gun of FIG. 1;

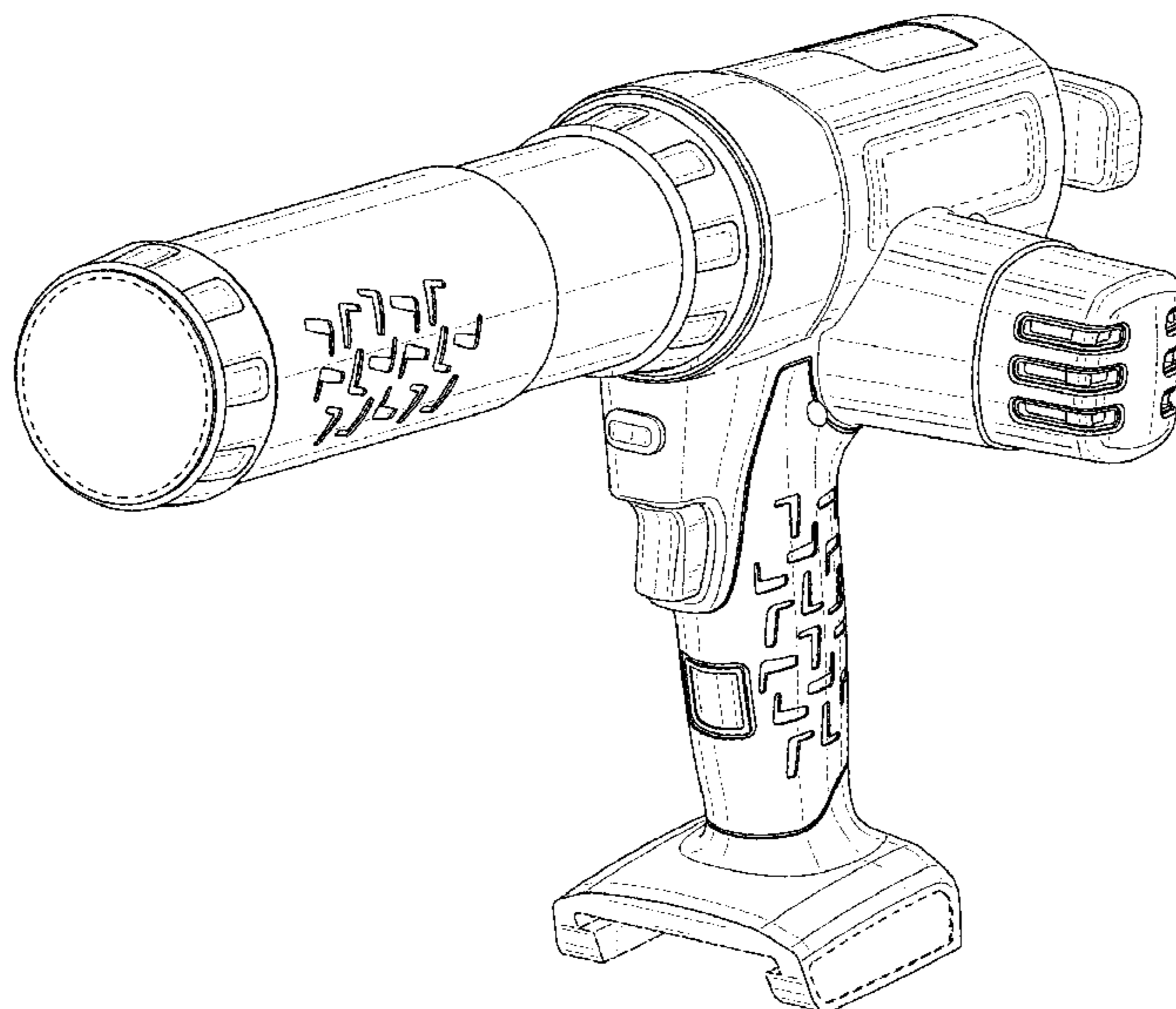
FIG. 4 is a right side elevation view of the adhesive gun of
FIG. 1;

FIG. 5 is a left side elevation view of the adhesive gun of FIG.
1;

FIG. 6 is a top plan view of the adhesive gun of FIG. 1; and,
FIG. 7 is a bottom plan view of the adhesive gun of FIG. 1.

The broken lines shown in the drawings illustrate portions of
the adhesive gun that forms no part of claimed design.

1 Claim, 7 Drawing Sheets



(56)

References Cited

OTHER PUBLICATIONS

Steven Rupp. 4th Gen Camaro Roof Panel Replacement—Unintended Consequences Photo Gallery. Apr. 1, 2013 [online], [retrieved on Nov. 20, 2013]. Retrieved from the Internet <URL: http://www.camaroperformers.com/camaro-tech/paint-and-body/camp-1304-4th-gen-camaro-roof-panel-replacement/photo_15.html>.*

Techway Industrial Co., “7.2V Cordless Caulking Gun & Sealing Gun,” available at http://www.techway.com.tw/product/5641_P11825800787031795/7.2v-cordless-caulking-gun.html, 2 pages.

Knighton Tool Supplies, “Silicone Sealant Guns Cordless,” available at http://www.knighton-tools.co.uk/acatalog/Silicone_Sealant_Guns_Cordless.html, 13 pages.

Albion Engineering, “20oz Core Cordless Sausage Gun 14.4 Volt,” available at <http://www.albioneng.com/home/products/sausage-guns.aspx?d=6535>, 1 page.

Milwaukee Electric Tool Corp., “18-Volt Cordless 20-oz Aluminum Barrel Caulk and Adhesive Gun Kit,” available at <http://www.milwaukeetool.com/power-tools/cordless/2642-21ct>, 2 pages.

Cox North America, Inc., “Volten 600,” available at http://www.cox-applicators.com/our-products/view_all/detail/volten_600, 2 pages.

Techway Industrial Co., “Products Index—Caulking Gun,” available at http://www.techway.com.tw/products/products_list.php?cid=70, 2 pages.

Dewalt Industrial Tool Co., “DC545K 18V Cordless Adhesive Dispenser—10oz,” available at <http://www.dewalt.com/tools/cordless-specialty-cordless-adhesive-dispensers-dc545k.aspx>, 1 page.

* cited by examiner

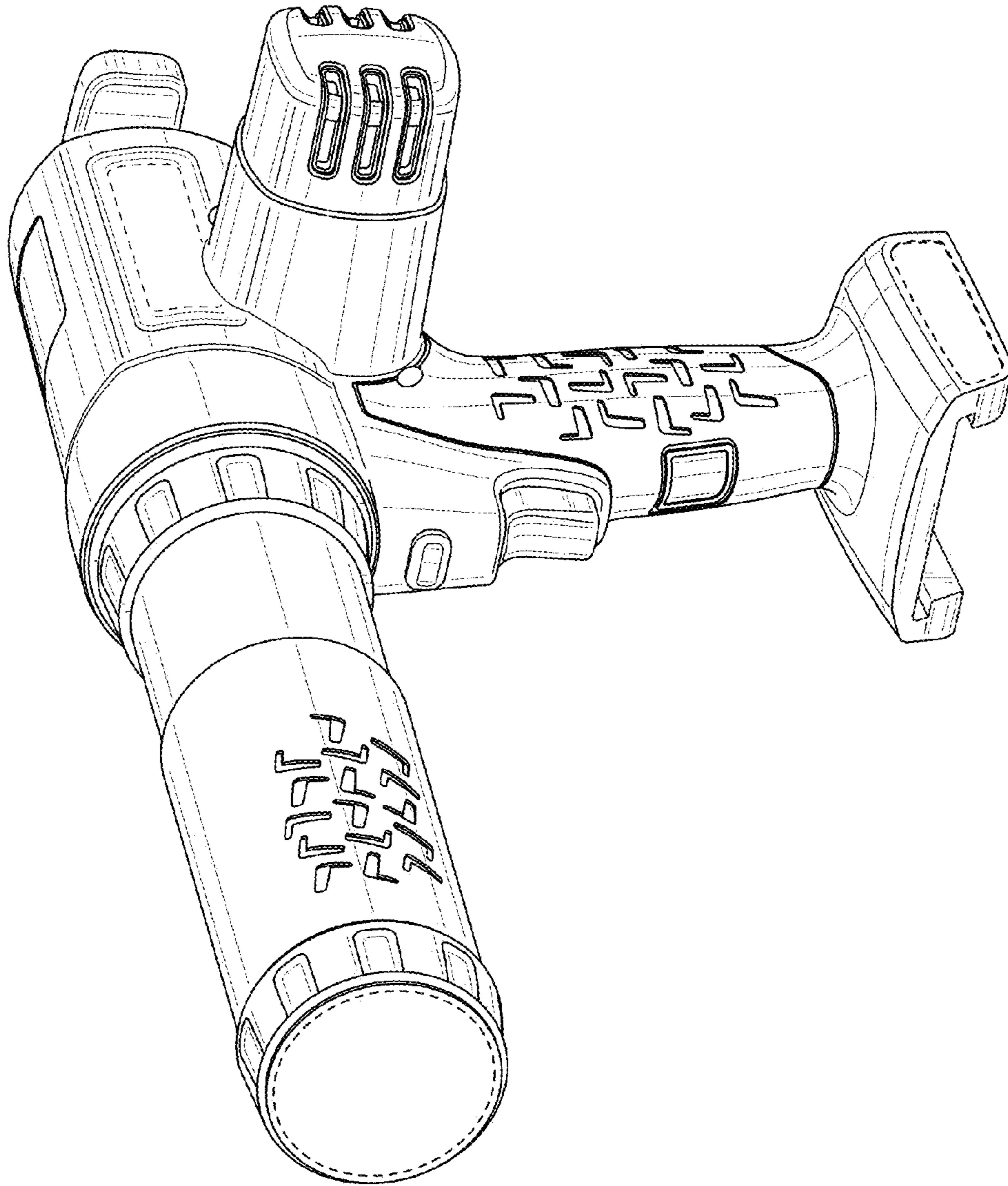


FIG. 1

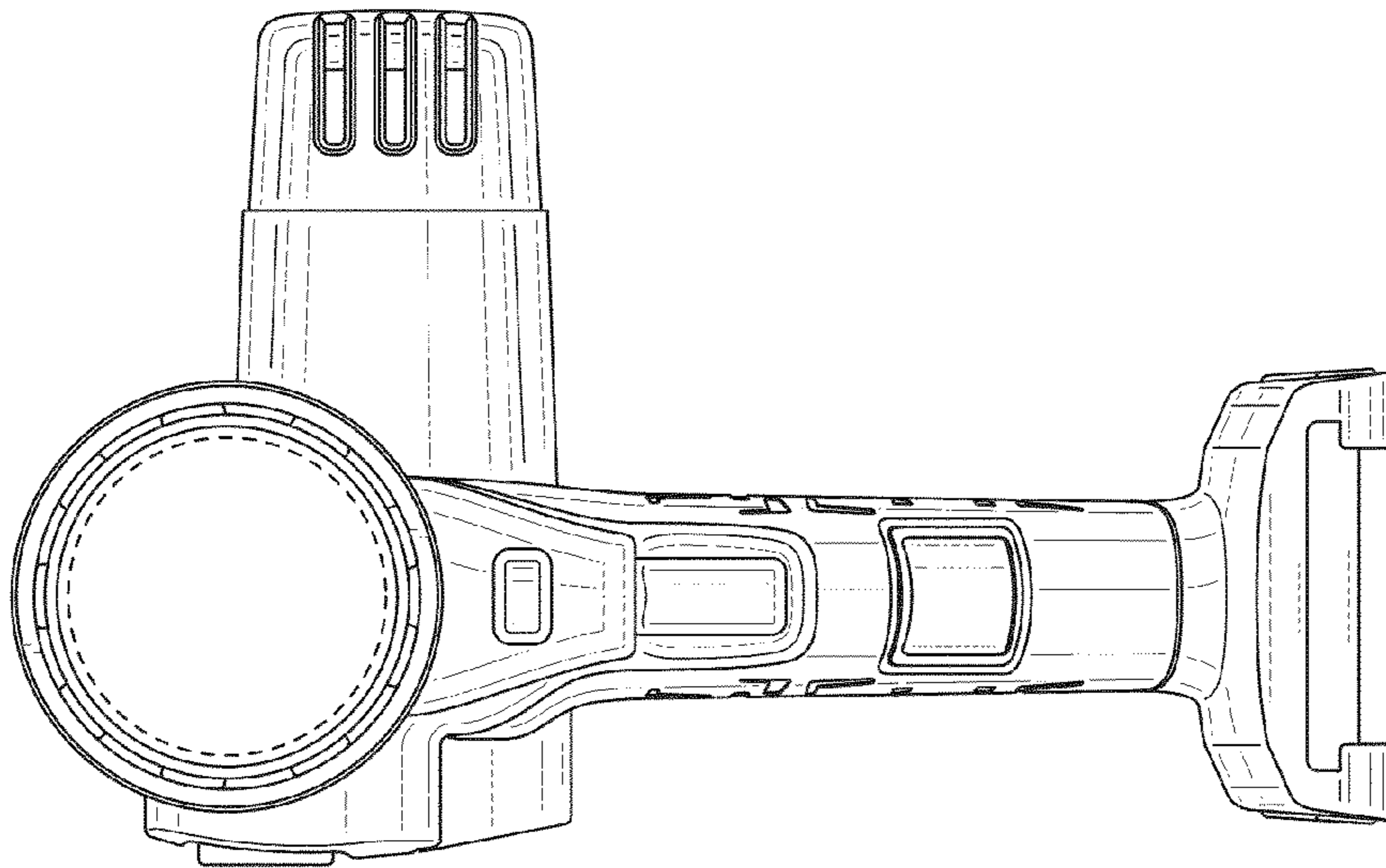


FIG. 2

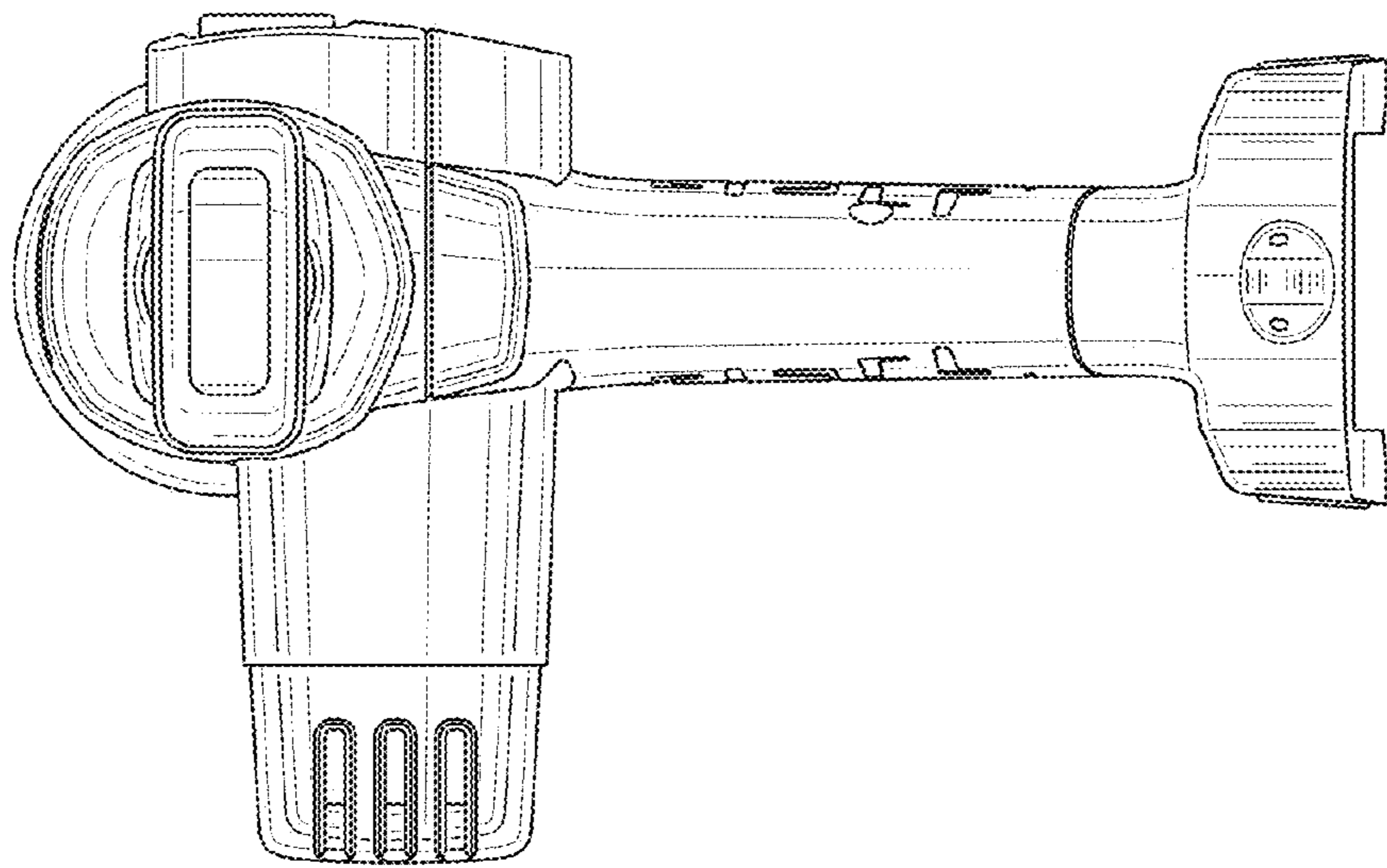


FIG. 3

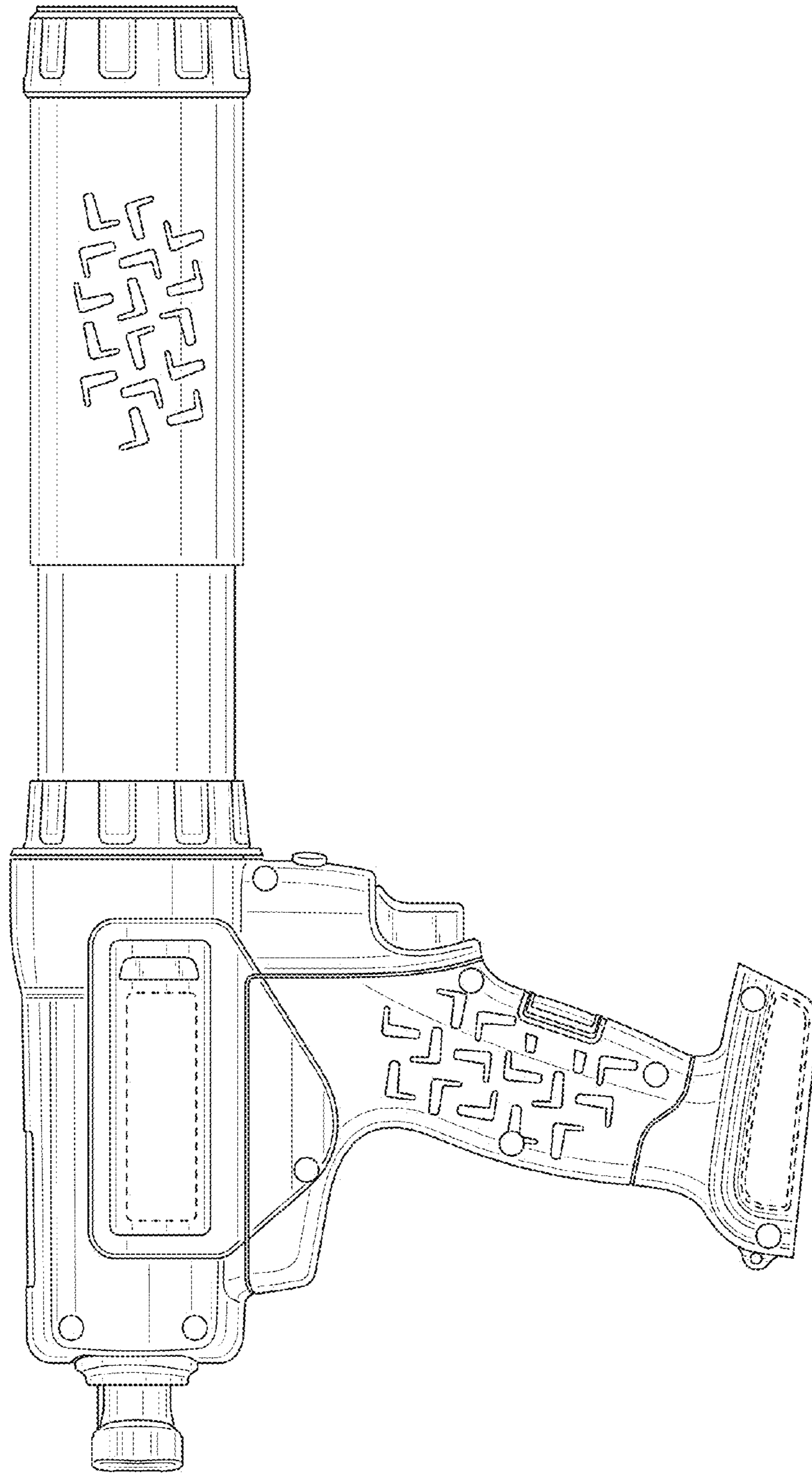


FIG. 4

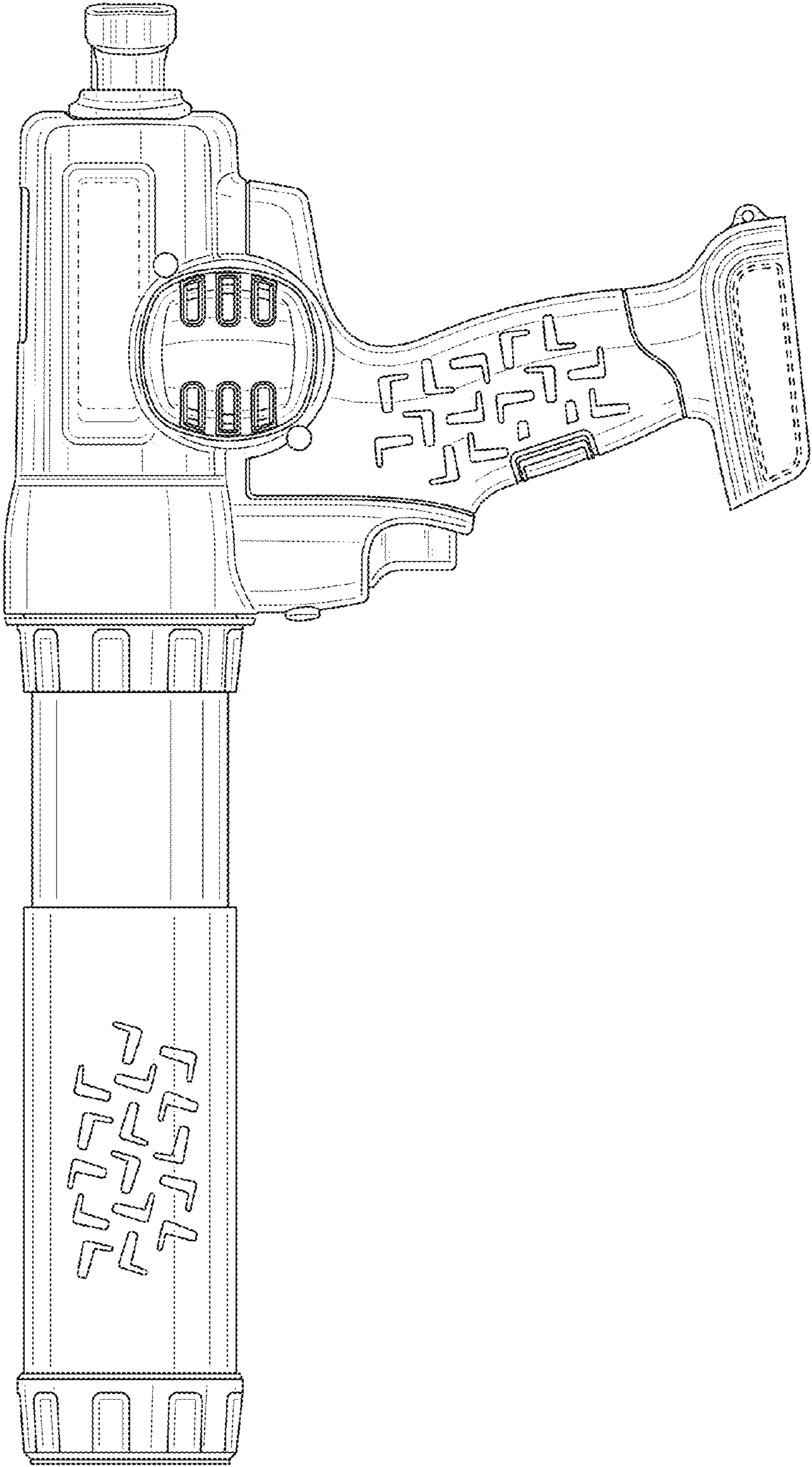


FIG. 5

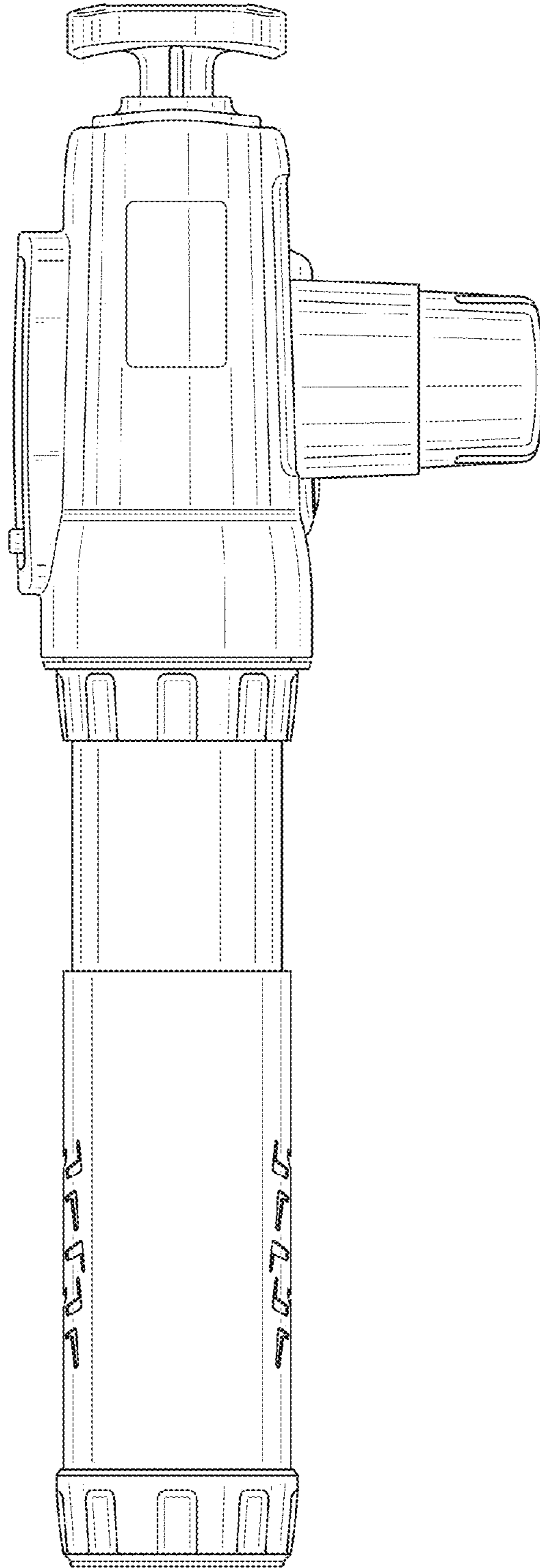


FIG. 6

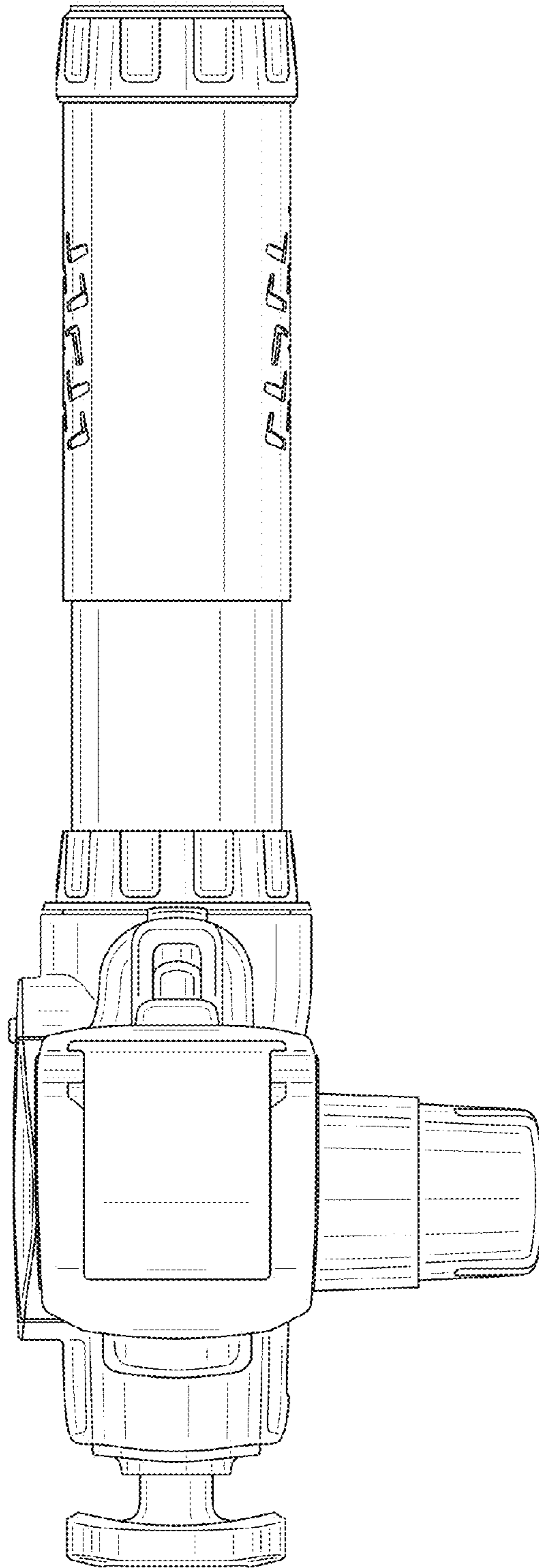


FIG. 7