



US00D703019S

(12) **United States Design Patent**  
**Faile, Jr.**

(10) **Patent No.:** **US D703,019 S**  
(45) **Date of Patent:** **\*\* Apr. 22, 2014**

(54) **CIRCULAR SAW**

D538,124 S 3/2007 Yamamoto et al.  
D554,462 S \* 11/2007 Zhang ..... D8/66  
D555,450 S \* 11/2007 Van Wambeke ..... D8/66  
D568,705 S \* 5/2008 Lopano et al. .... D8/66

(71) Applicant: **William R. Faile, Jr.**, Alpharetta, GA  
(US)

(Continued)

(72) Inventor: **William R. Faile, Jr.**, Alpharetta, GA  
(US)

*Primary Examiner* — Austin Murphy  
(74) *Attorney, Agent, or Firm* — Culhane Meadows PLLC;  
J. Scott Anderson

(\*\*) Term: **14 Years**

(57) **CLAIM**

(21) Appl. No.: **29/467,011**

The ornamental design for a circular saw, as shown and described.

(22) Filed: **Sep. 13, 2013**

**DESCRIPTION**

(51) **LOC (10) Cl.** ..... **08-03**

(52) **U.S. Cl.**  
USPC ..... **D8/66**

(58) **Field of Classification Search**  
USPC ..... D8/69, 68, 67, 66, 64, 61, 70;  
83/698.41, 747, 166.3, 374, 373, 375,  
83/376, 391, 377, 390, 388, 389;  
125/13.01; 144/218

See application file for complete search history.

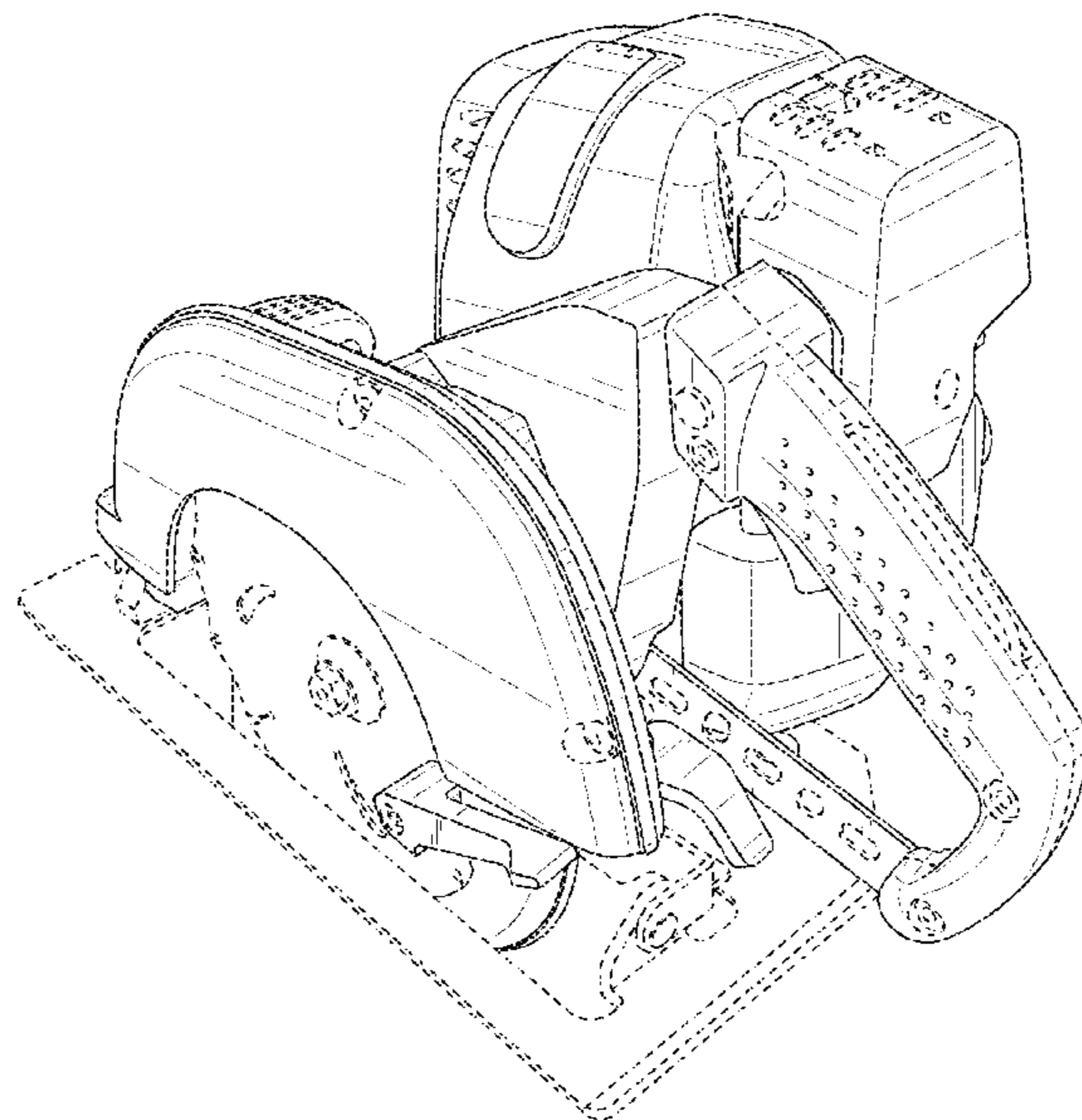
FIG. 1 is a left rear perspective view of a first embodiment of a circular saw showing my new design;  
FIG. 2 is a front elevation view of the first embodiment;  
FIG. 3 is a rear elevation view of the first embodiment;  
FIG. 4 is a right side elevation view of the first embodiment;  
FIG. 5 is a left side elevation view of the first embodiment;  
FIG. 6 is a top view of the first embodiment;  
FIG. 7 is a bottom view of the first embodiment;  
FIG. 8 is a right rear perspective view of a second embodiment of a circular saw showing my new design;  
FIG. 9 is a front elevation view of the second embodiment;  
FIG. 10 is a rear elevation view of the second embodiment;  
FIG. 11 is a right side elevation view of the second embodiment;  
FIG. 12 is a left side elevation view of the second embodiment;  
FIG. 13 is a top view of the second embodiment; and,  
FIG. 14 is a bottom view of the second embodiment.  
In FIGS. 1-14, the broken lines showing various items and parts of items including the base plate, the fasteners and fastener openings, the ventilation openings, the housings, the wires, and the saw blade are shown for illustrative purposes only and form no part of the claimed design.

(56) **References Cited**

U.S. PATENT DOCUMENTS

5,007,173 A 4/1991 Rush  
D363,656 S 10/1995 Gierke  
D408,248 S 4/1999 Zurwelle et al.  
D411,425 S 6/1999 Sugimoto et al.  
D427,872 S 7/2000 Snider  
D427,874 S 7/2000 Hayakawa et al.  
D433,300 S 11/2000 Buck  
6,260,274 B1 7/2001 Kane et al.  
D453,099 S 1/2002 Welsh  
D482,946 S 12/2003 DeBusk  
D489,591 S 5/2004 Willer et al.  
D492,564 S 7/2004 Zemlok et al.  
D500,438 S 1/2005 Andriolo  
D503,878 S \* 4/2005 Tillman et al. .... D8/66  
D520,319 S \* 5/2006 Aglassinger ..... D8/66

**1 Claim, 14 Drawing Sheets**



(56)

**References Cited**

U.S. PATENT DOCUMENTS

D578,853 S 10/2008 Gallagher et al.  
D580,249 S 11/2008 Netzler  
7,526,866 B2\* 5/2009 Schnell et al. .... 30/124  
D596,006 S 7/2009 Van Wambeke  
D631,717 S \* 2/2011 Aglassinger ..... D8/66

D632,940 S \* 2/2011 Yamamoto et al. .... D8/66  
D653,513 S 2/2012 Tirone  
D660,121 S \* 5/2012 Valk ..... D8/66  
D685,243 S \* 7/2013 Waldron ..... D8/66  
2003/0131484 A1\* 7/2003 Yoshida et al. .... 30/376  
2004/0045176 A1\* 3/2004 Koukal et al. .... 30/391  
2005/0211235 A1\* 9/2005 Governo ..... 125/13.03

\* cited by examiner

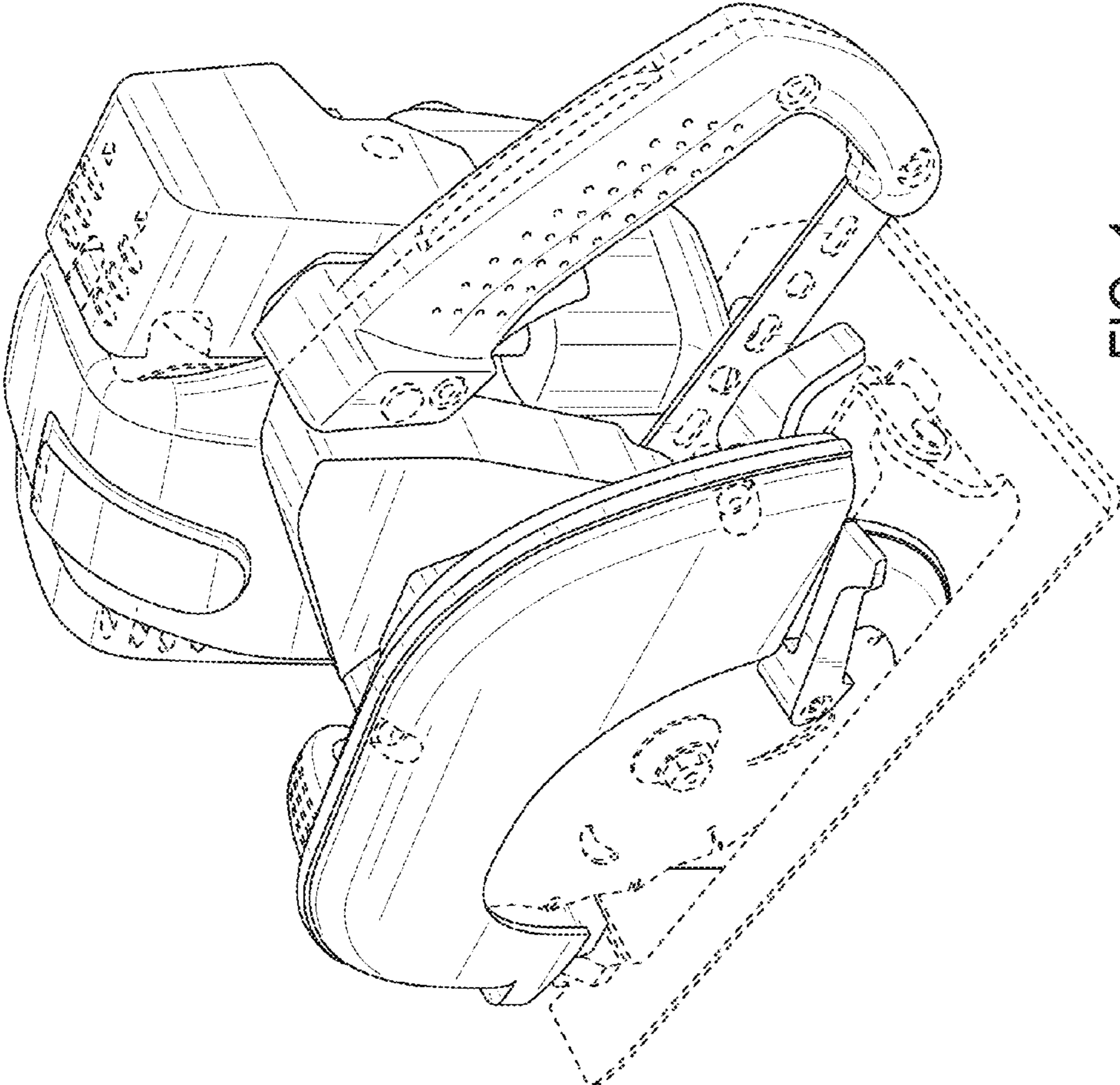


FIG. 1

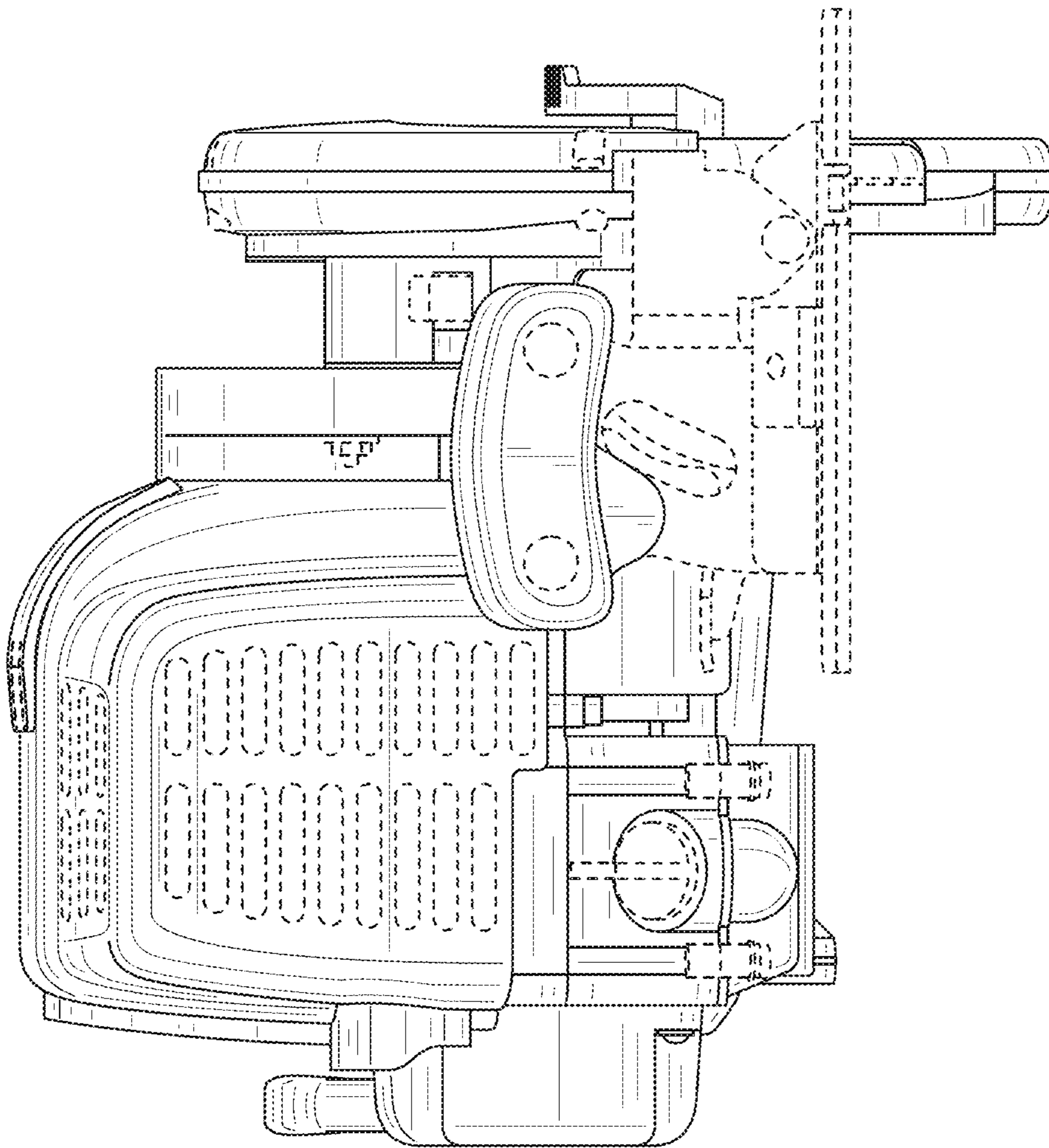


FIG. 2

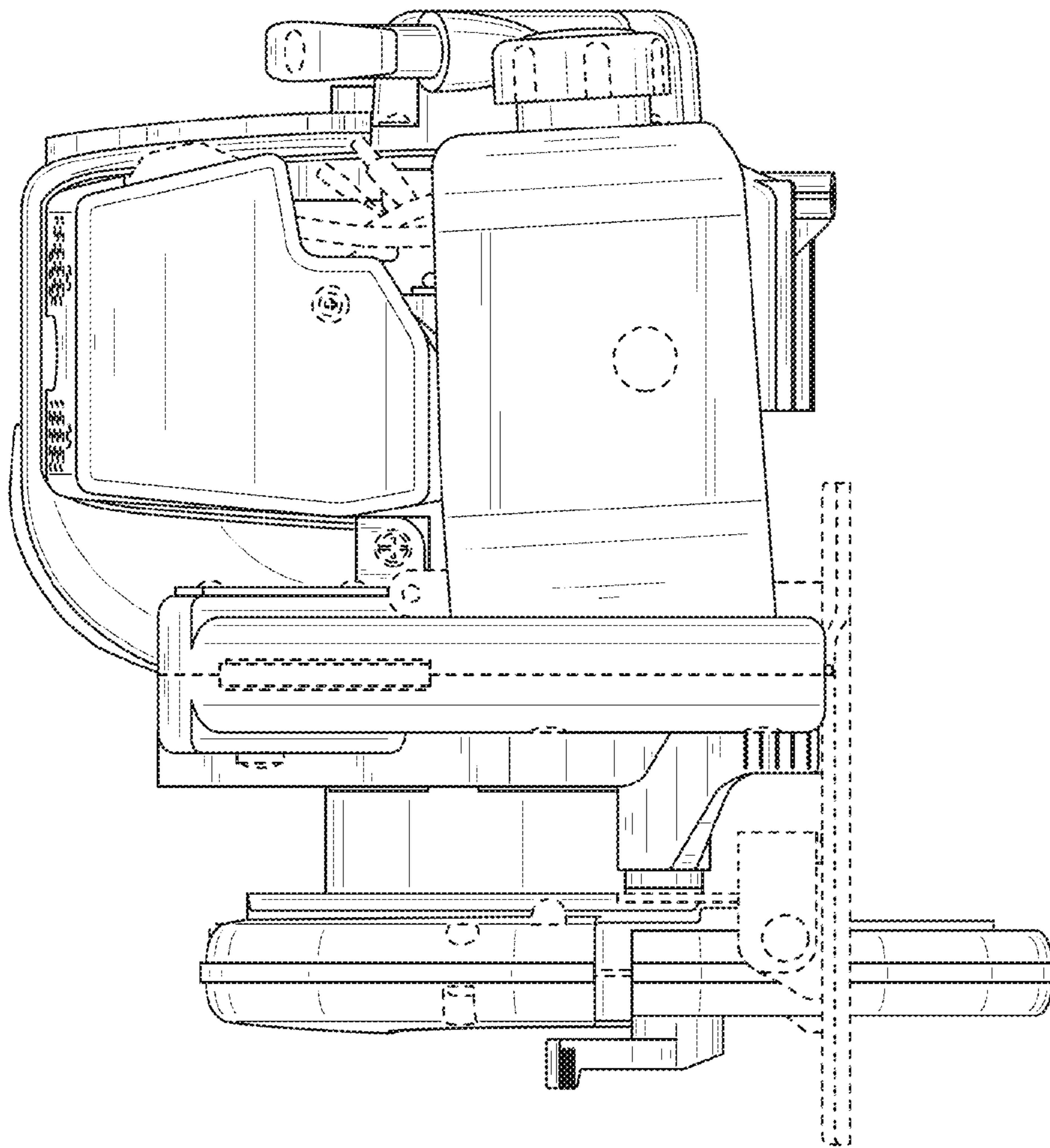


FIG. 3

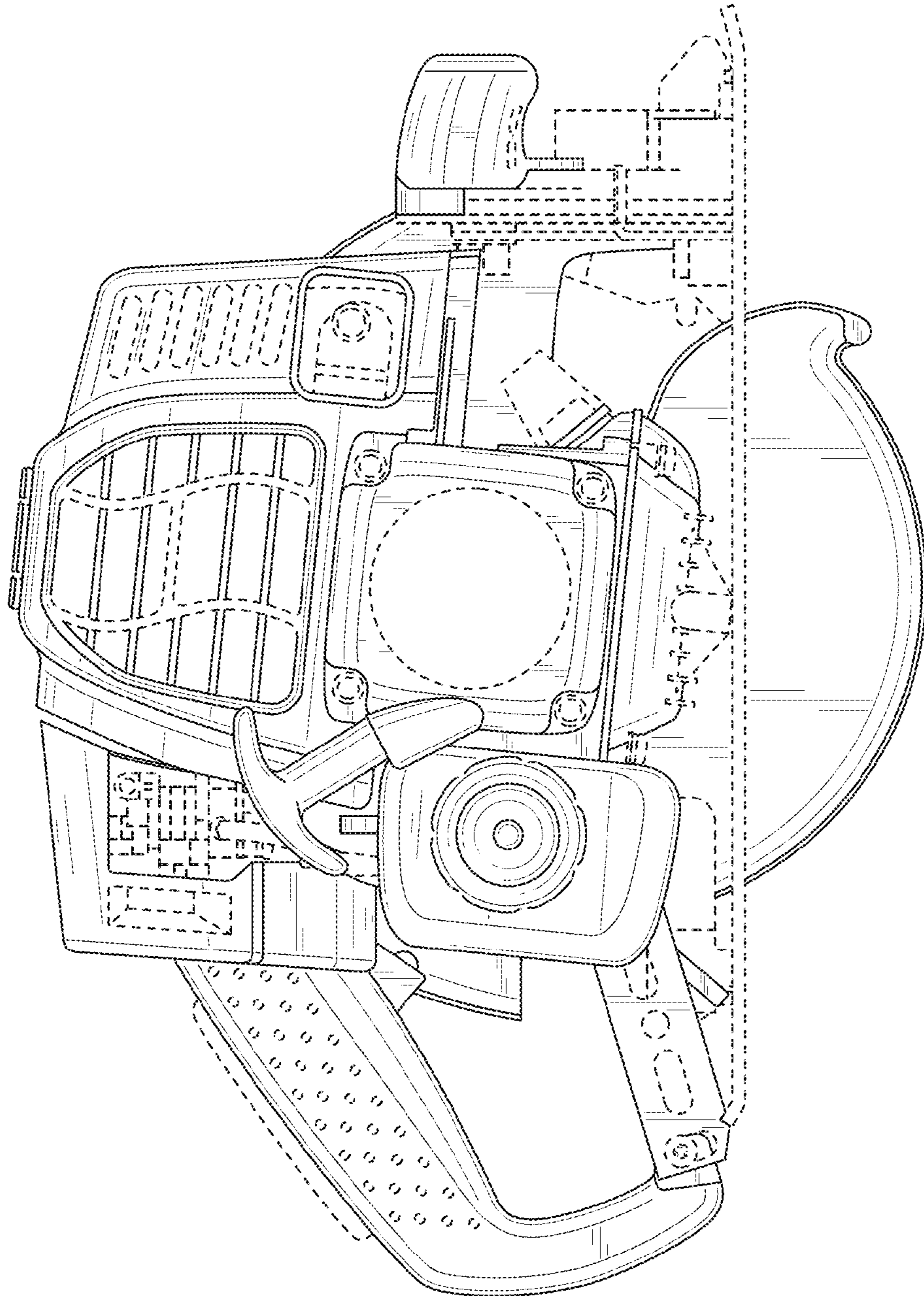


FIG. 4

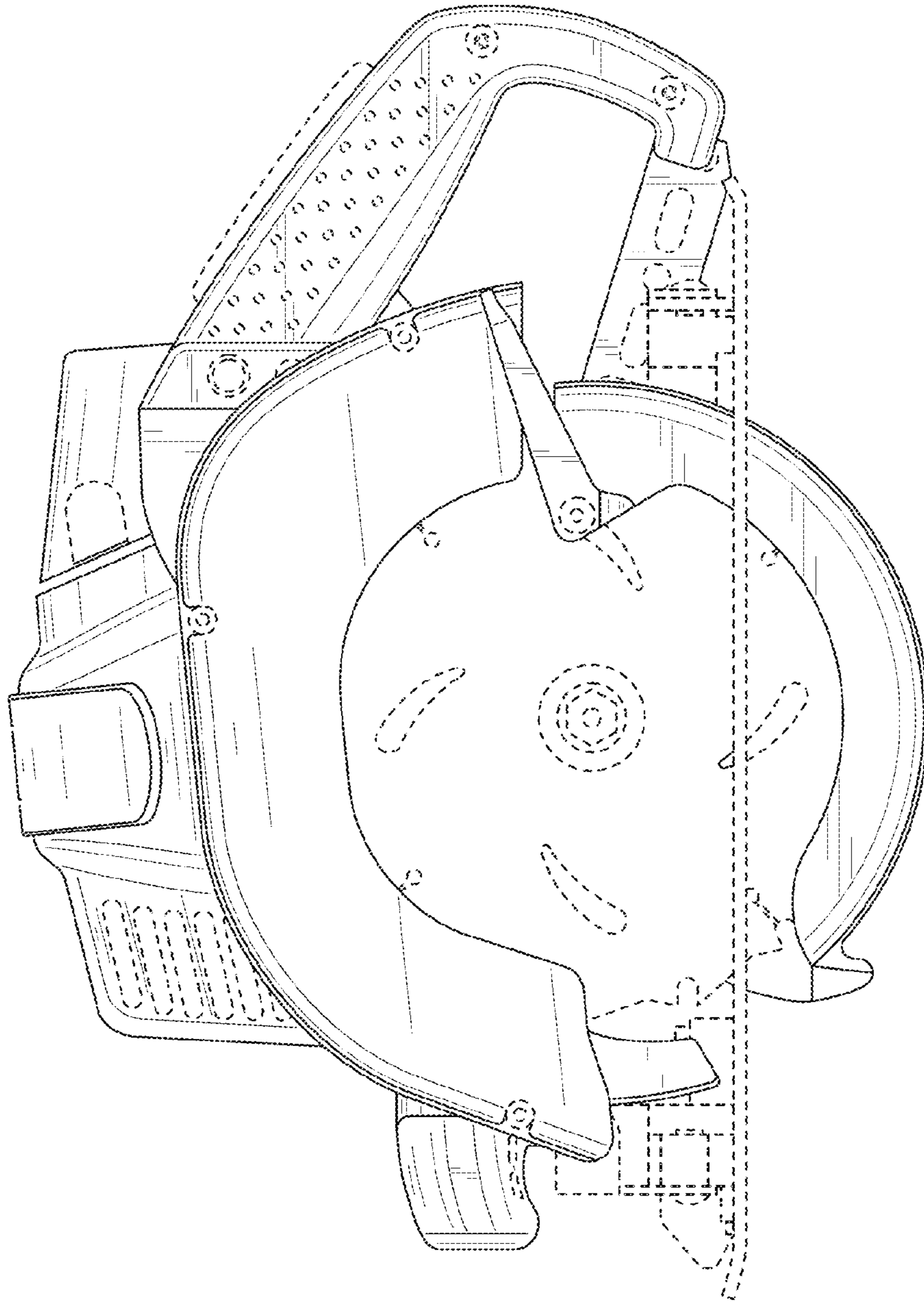


FIG. 5

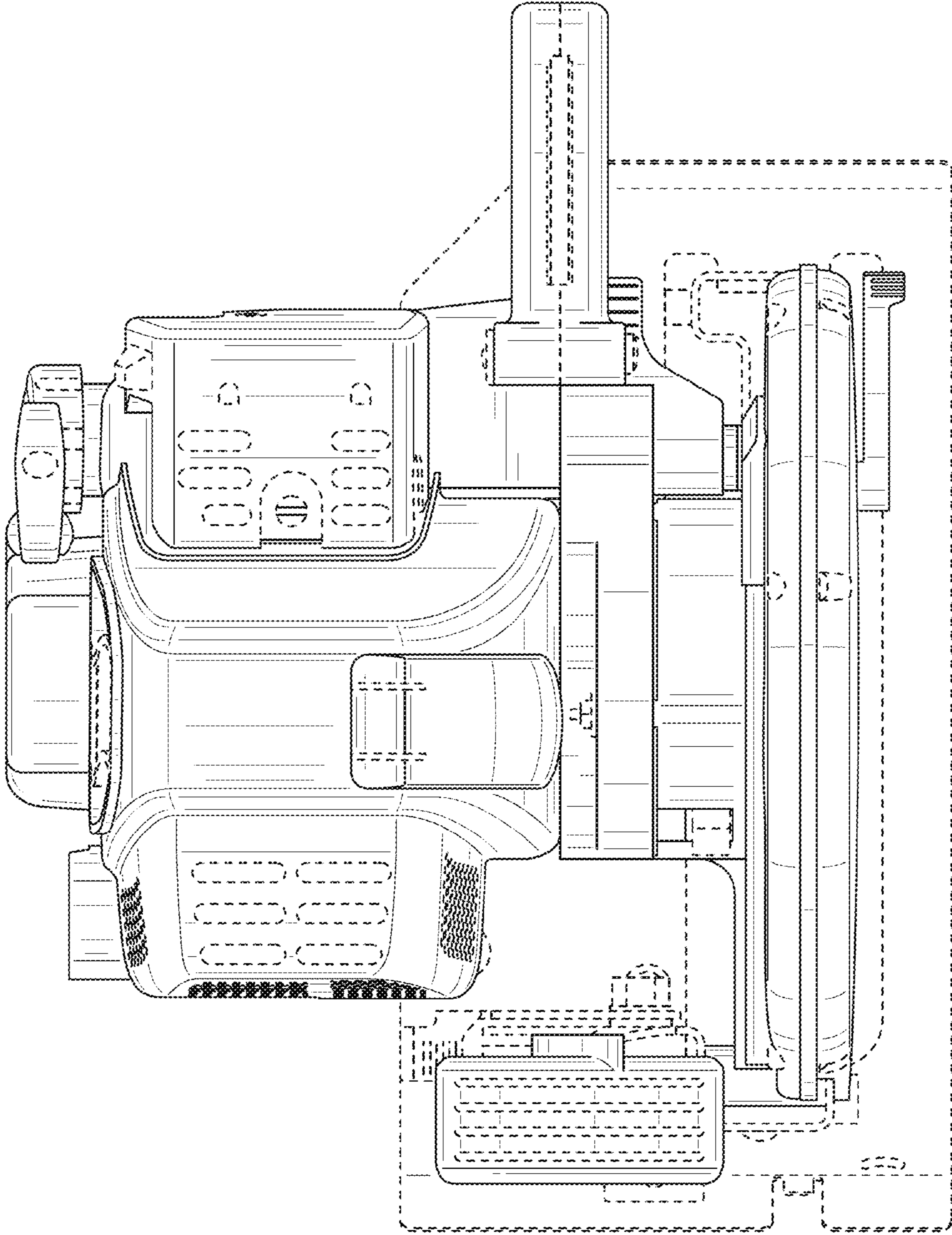


FIG. 6



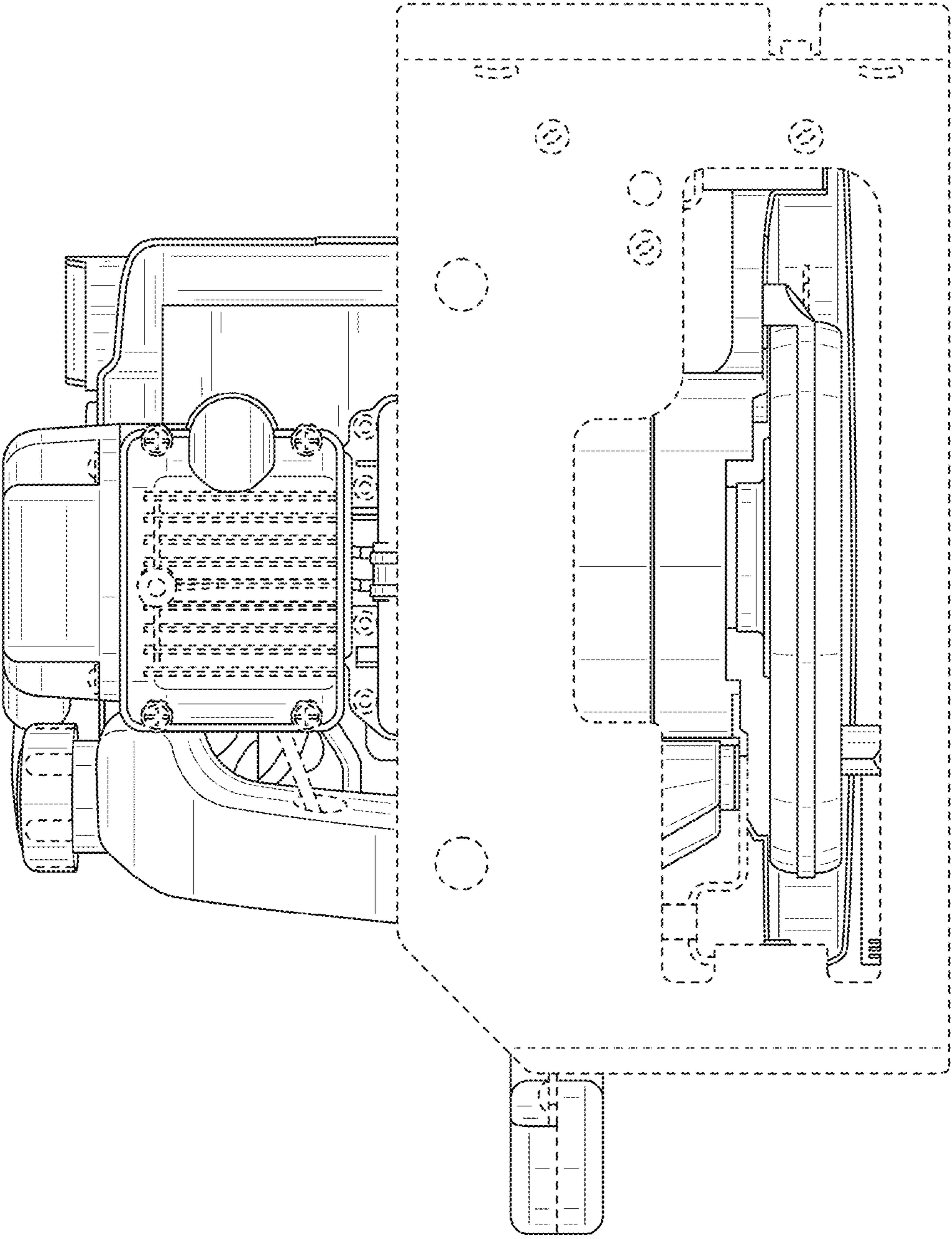


FIG. 7

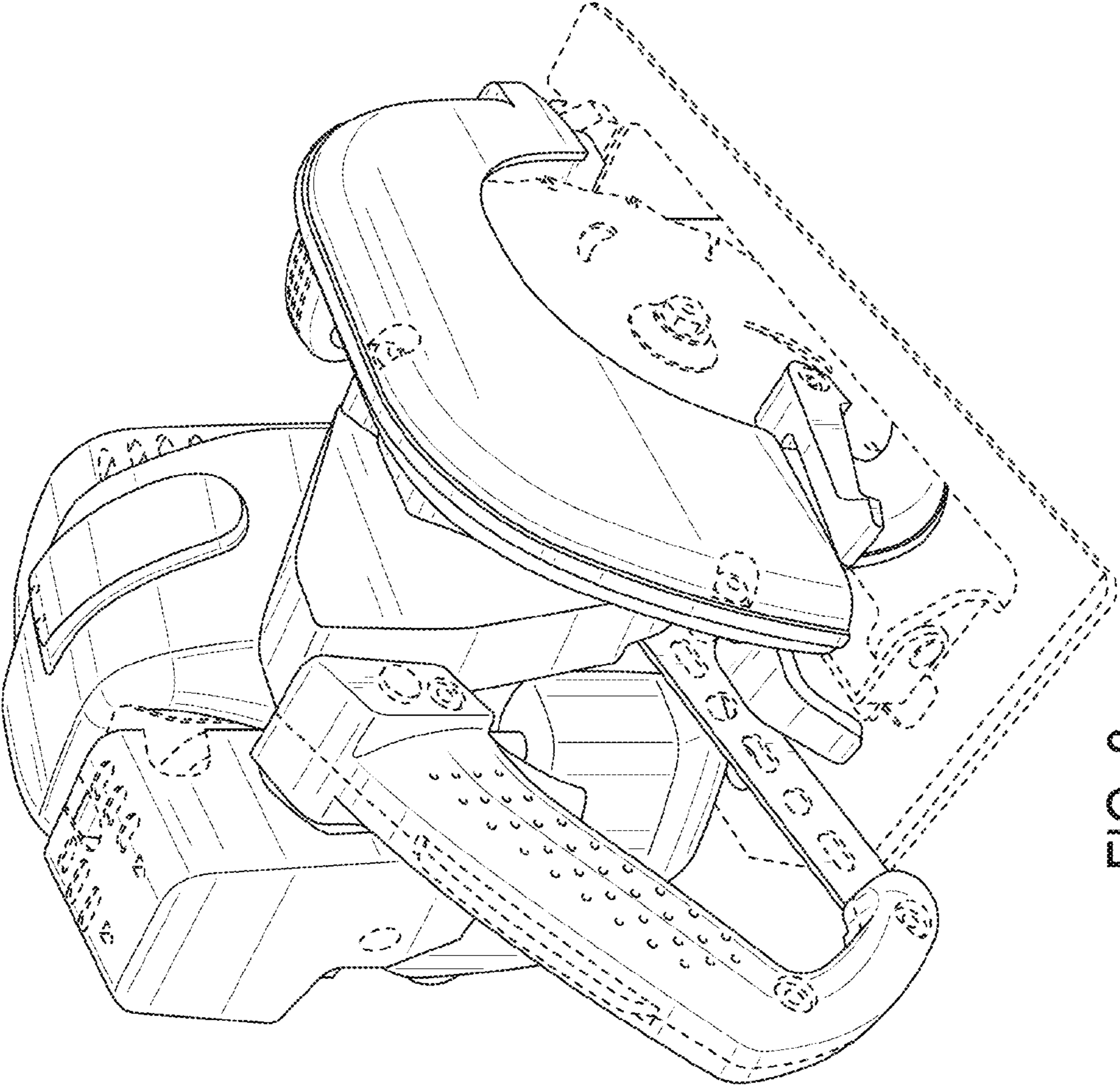


FIG. 8

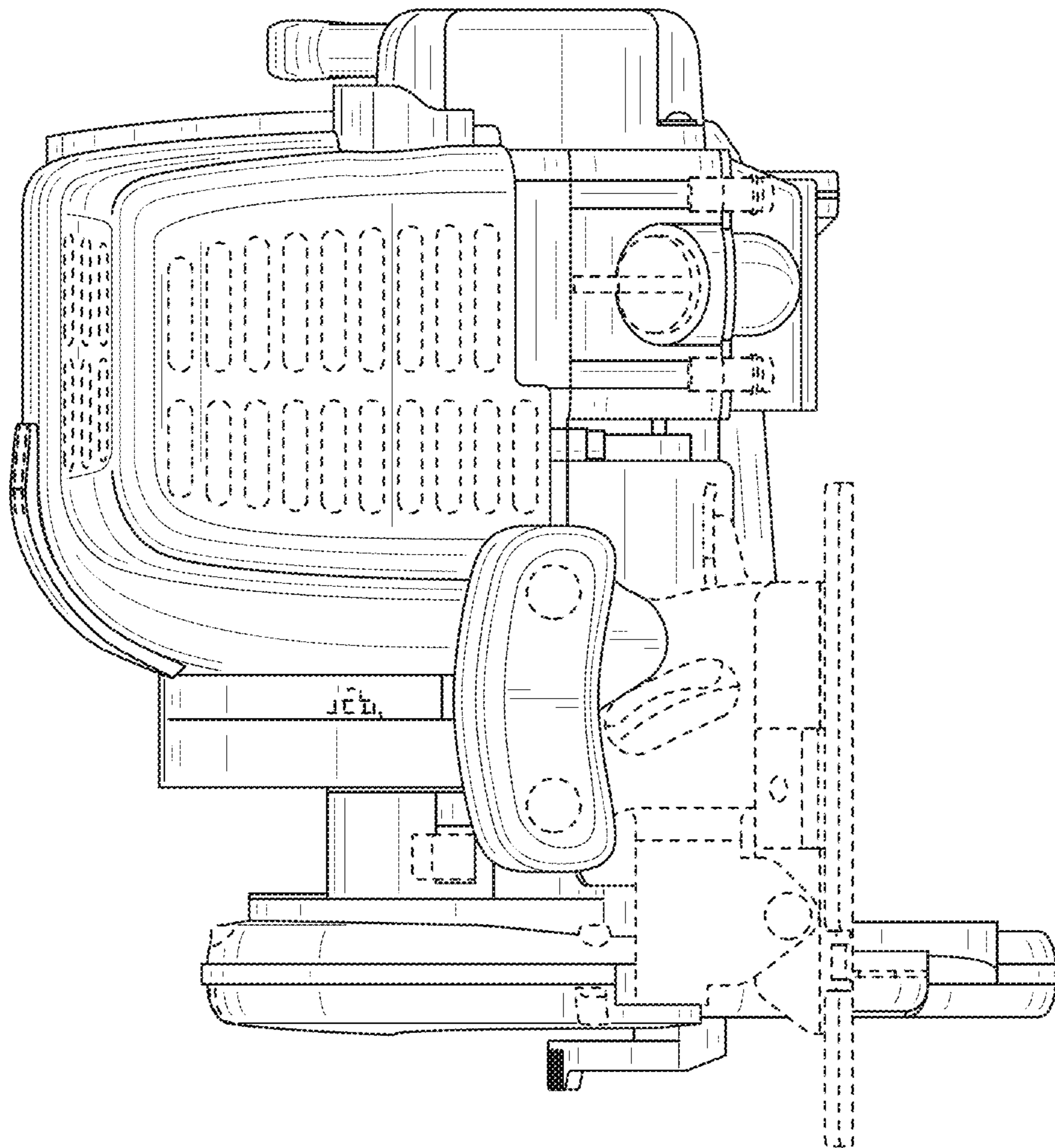


FIG. 9

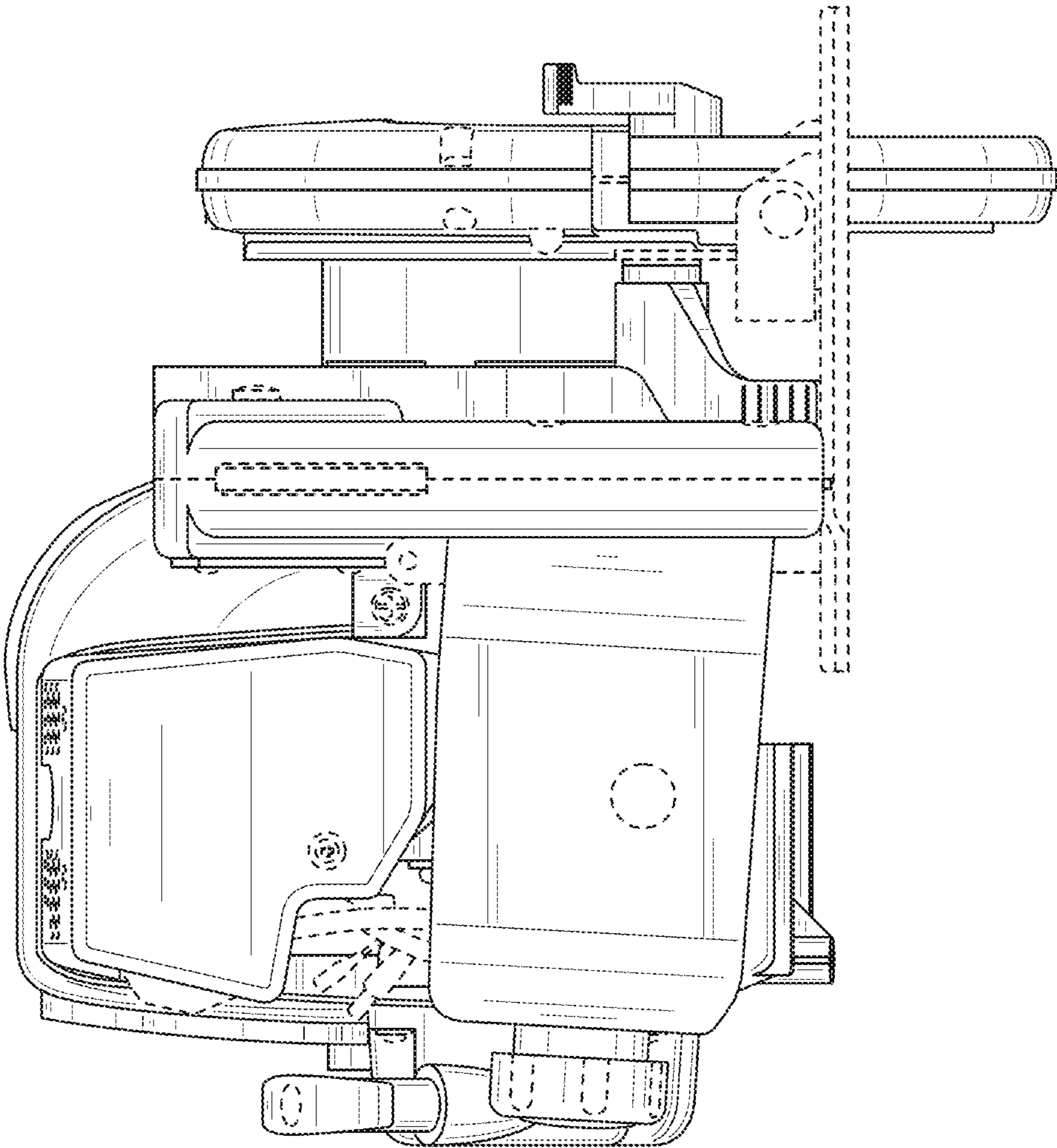


FIG. 10

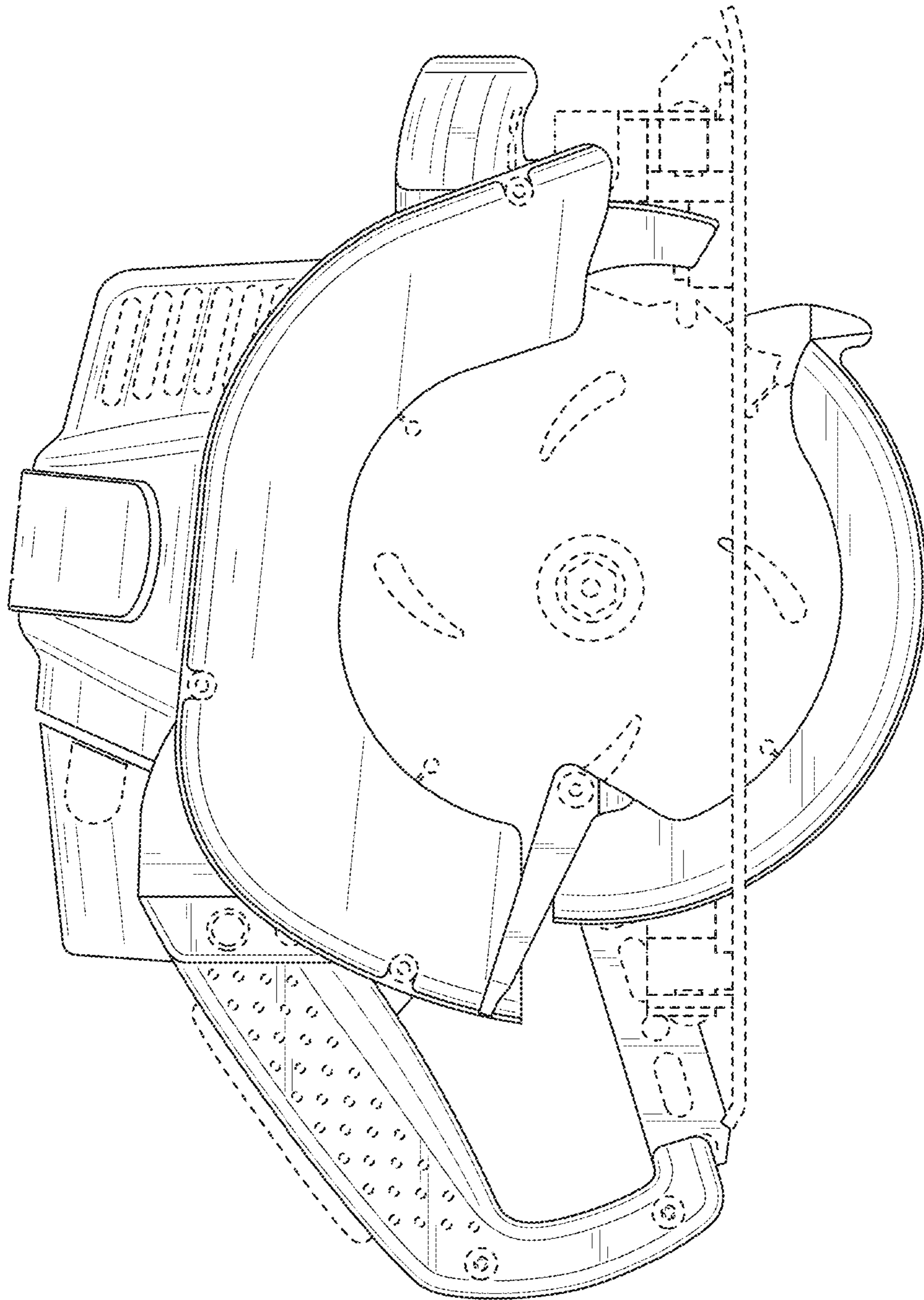


FIG. 11

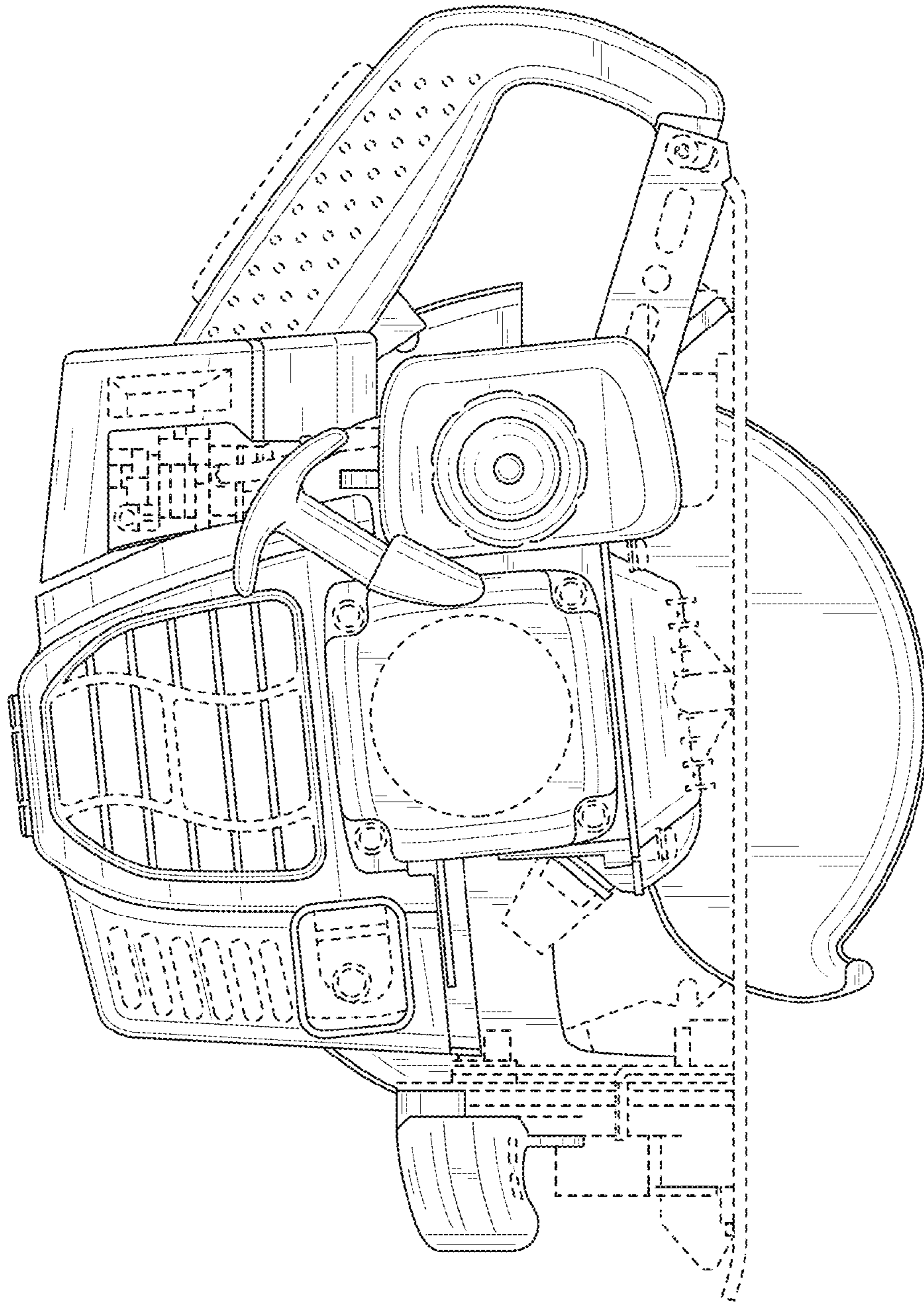


FIG. 12

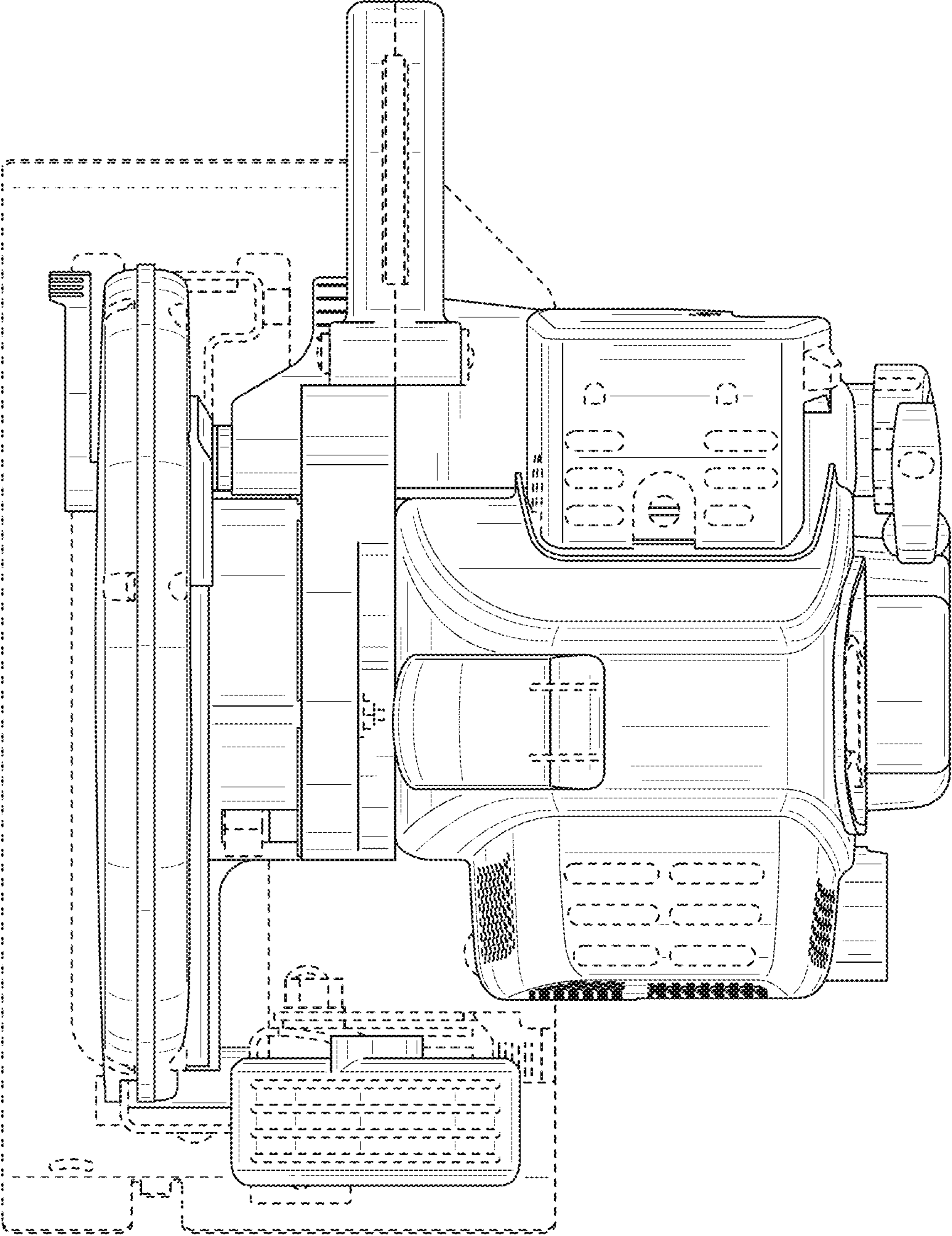


FIG. 13

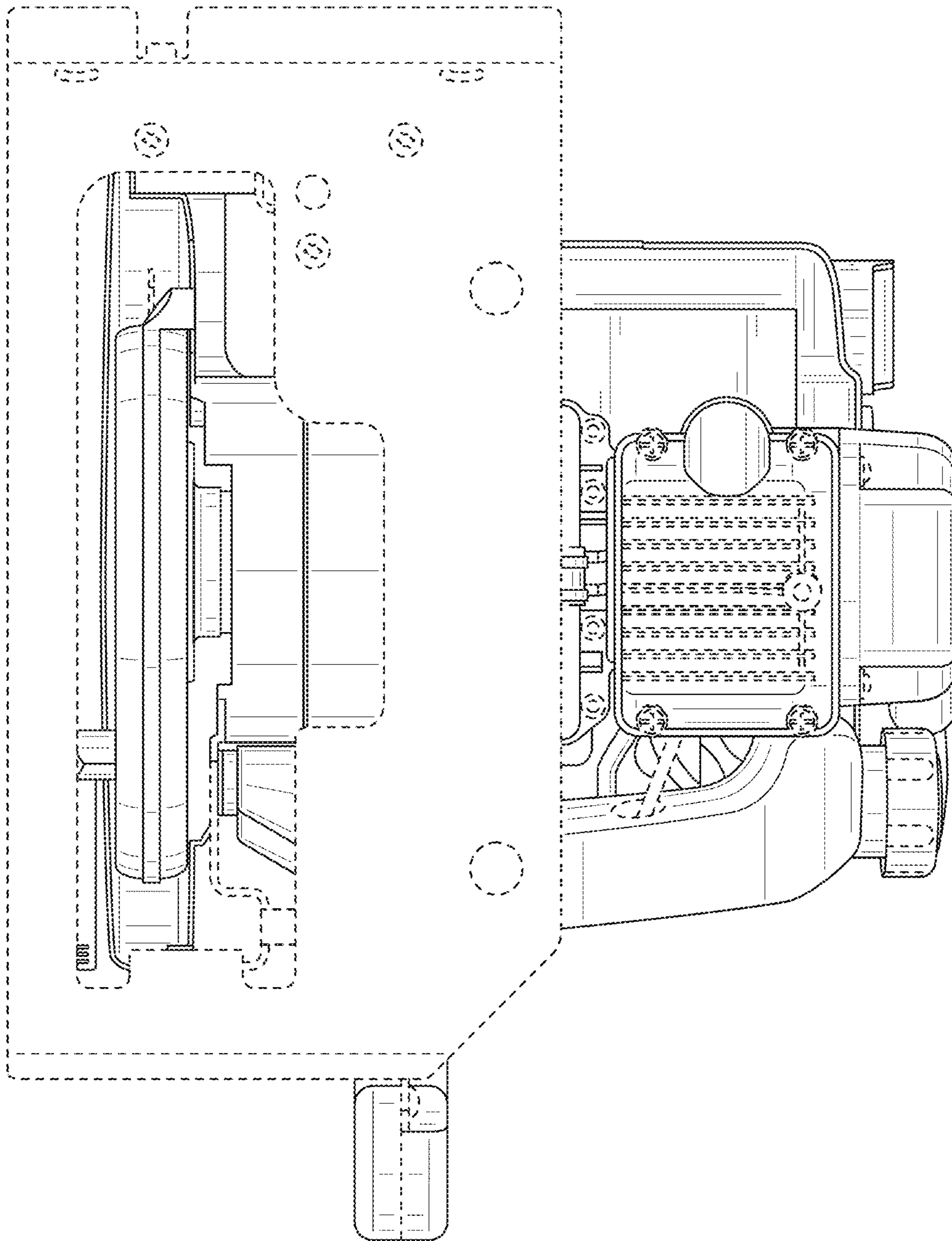


FIG. 14