



US00D703018S

(12) **United States Design Patent**
Otsuka

(10) **Patent No.:** **US D703,018 S**

(45) **Date of Patent:** **** *Apr. 22, 2014**

(54) **ELECTRIC GRINDER FOR SHARPENING KNIVES**

D605,918 S * 12/2009 Deglon D8/63
D614,009 S * 4/2010 Deglon D8/63
D620,332 S * 7/2010 Elek et al. D8/63

(75) Inventor: **Jun Otsuka**, Seki (JP)

FOREIGN PATENT DOCUMENTS

(73) Assignee: **Kai R&D Center Co., Ltd.**, Gifu (JP)

JP 10-080845 3/1998

(*) Notice: This patent is subject to a terminal disclaimer.

* cited by examiner

(**) Term: **14 Years**

Primary Examiner — Austin Murphy

(21) Appl. No.: **29/374,304**

(74) *Attorney, Agent, or Firm* — Jordan and Hamburg LLP

(22) Filed: **Jul. 26, 2011**

(57) **CLAIM**

The ornamental design for an electric grinder for sharpening knives, as shown and described.

(30) **Foreign Application Priority Data**

DESCRIPTION

Feb. 1, 2011 (JP) 2011-002126

(51) **LOC (10) Cl.** **08-05**

(52) **U.S. Cl.**
USPC **D8/63**

(58) **Field of Classification Search**
USPC D8/63, 93, 34, 91, 35; D7/698; 451/45,
451/267, 259, 198, 193, 177, 555, 132, 194,
451/241; 36/31; 76/86-89; 30/138
See application file for complete search history.

FIG. 1 is a perspective view of an electric grinder for sharpening knives showing one embodiment of my new design; FIG. 2 is a front elevational view thereof; FIG. 3 is a rear elevational view thereof; FIG. 4 is a top plan view thereof; FIG. 5 is a bottom plan view thereof; FIG. 6 is a left side elevational view thereof; and, FIG. 7 is a right side elevational view thereof.

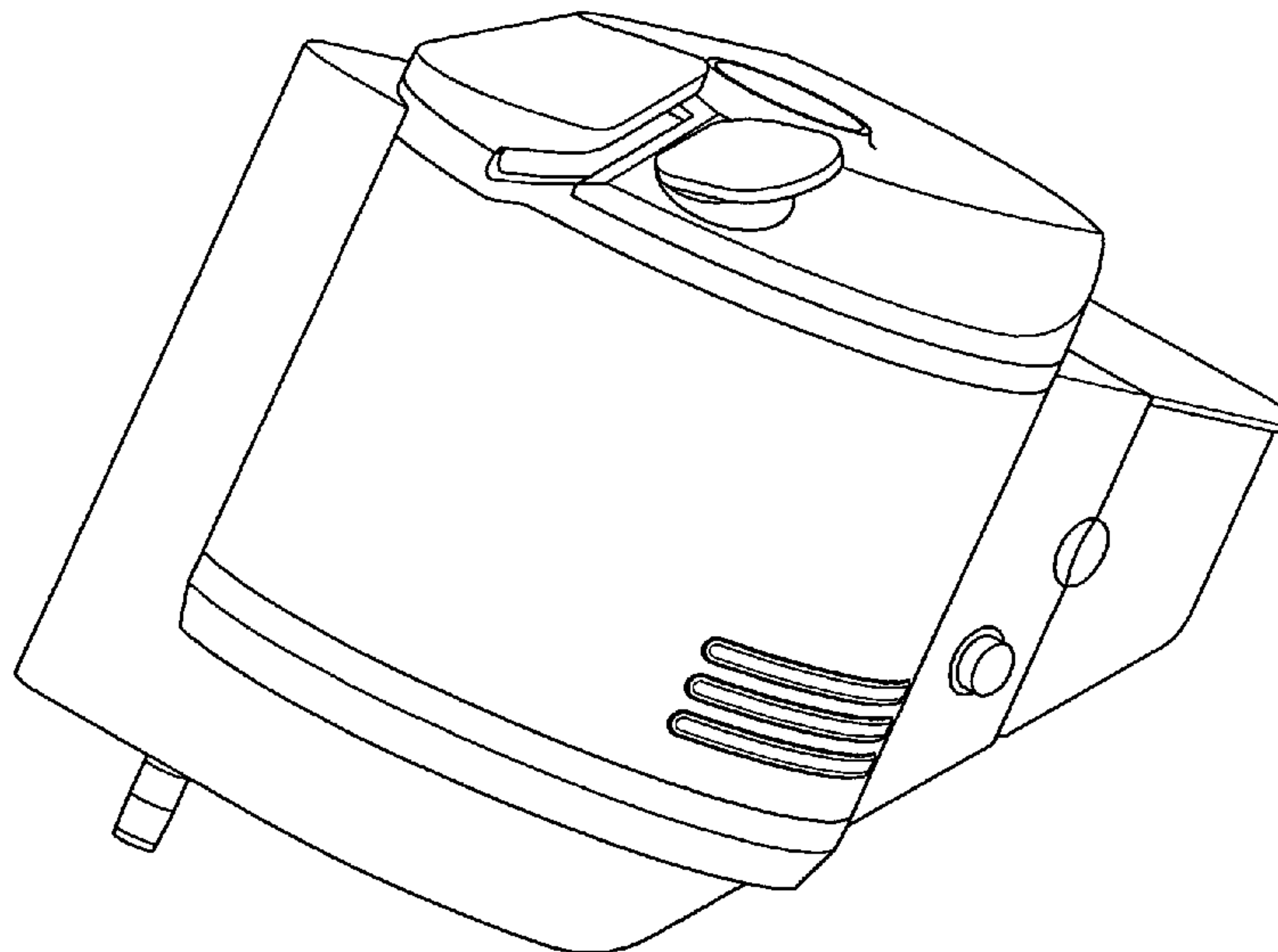
The article is an electric knife sharpener for sharpening a knife by inserting the edge of a cutting tool, such as a kitchen knife, into a groove provided in a lid attached to the top. The knife is sharpened at the peripheral surface of a truncated cone-shaped grind stone. Provided at the center of the lid is a hole formed into a wheel shape, and water is poured there-through. Unused water and water used for sharpening are accumulated in a discharge cup attached to the lateral side. The discharge cup is detachable and can be detached to allow the discharge water accumulated in the discharge cup to be discarded.

(56) **References Cited**

U.S. PATENT DOCUMENTS

2,433,512 A * 12/1947 Gorn 451/282
D175,067 S * 7/1955 Ernest D8/63
D226,059 S * 1/1973 Clason D8/63
D232,516 S * 8/1974 Smith D8/63
D491,783 S * 6/2004 Ikegaki et al. D8/63
D523,717 S * 6/2006 Guo et al. D8/63
D604,133 S * 11/2009 Smith D8/63

1 Claim, 7 Drawing Sheets



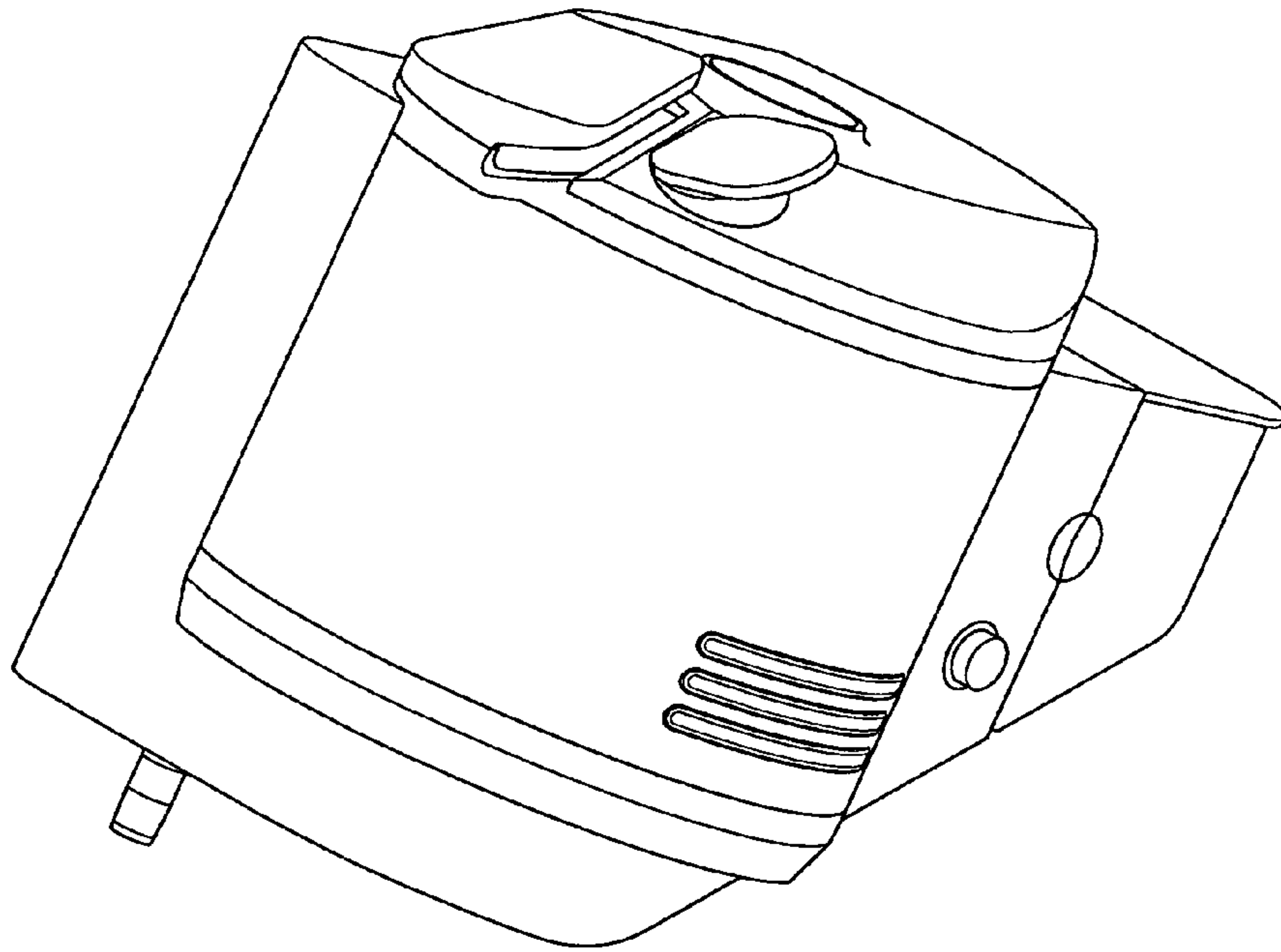


FIG. 1

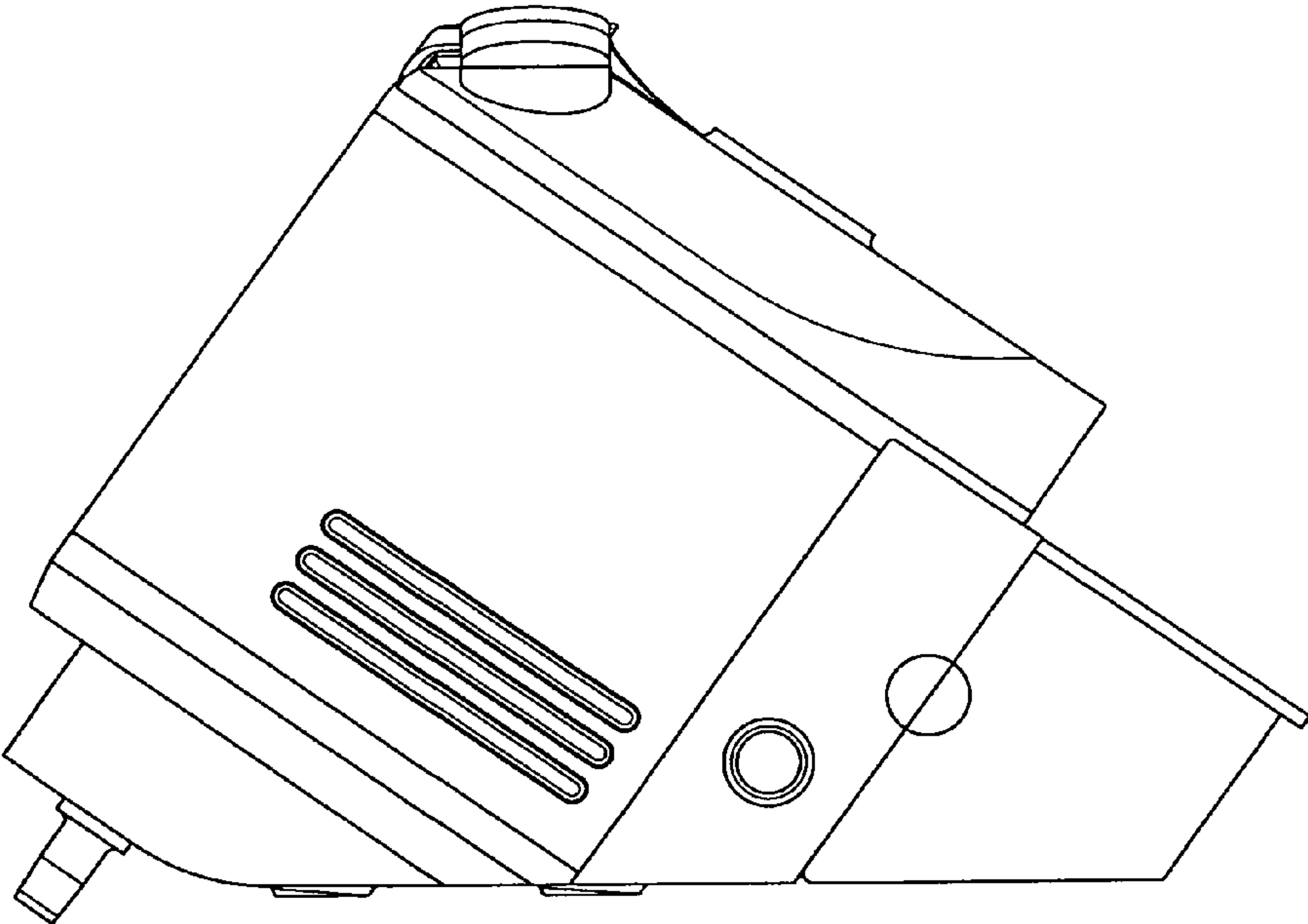


FIG. 2

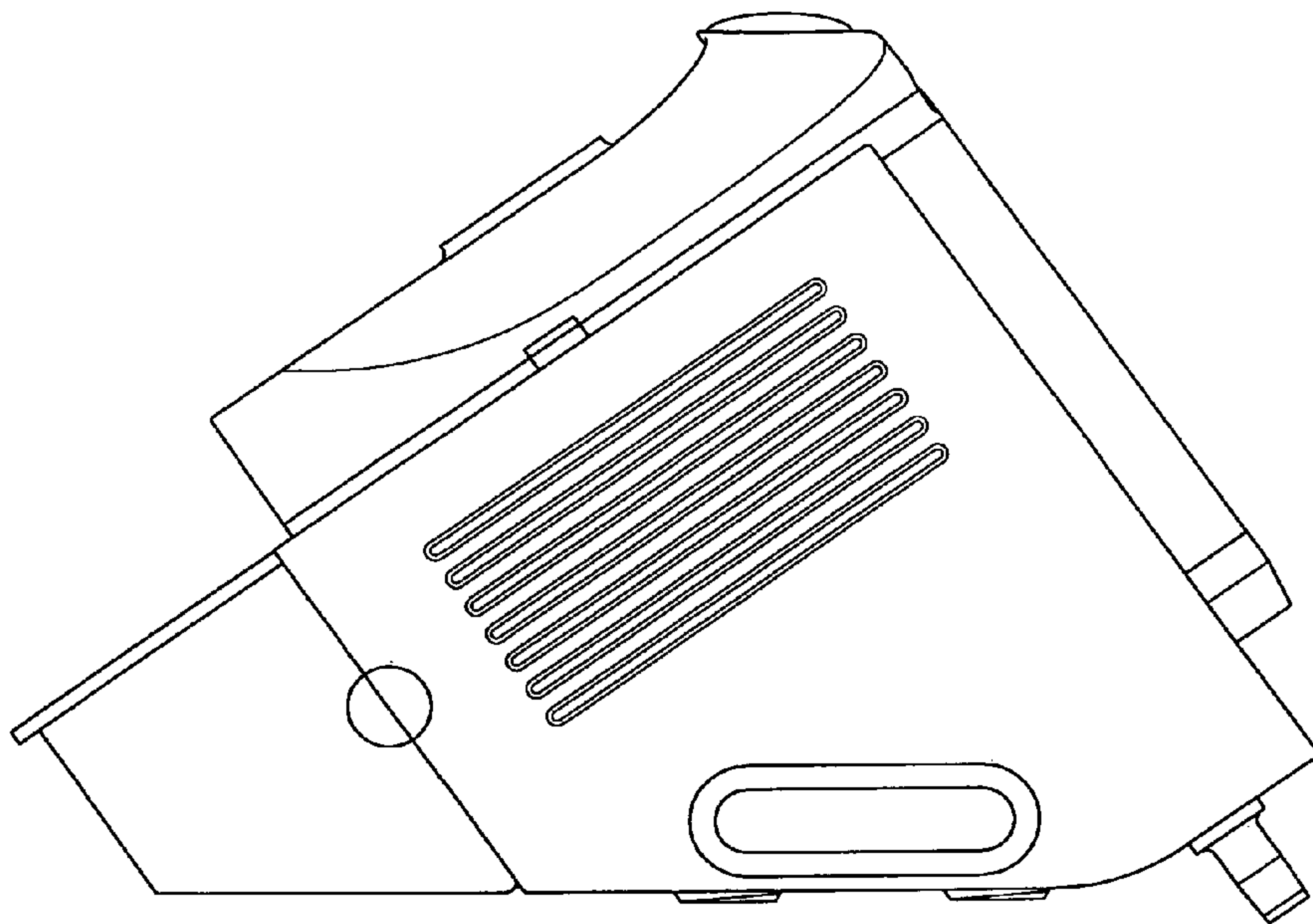


FIG. 3

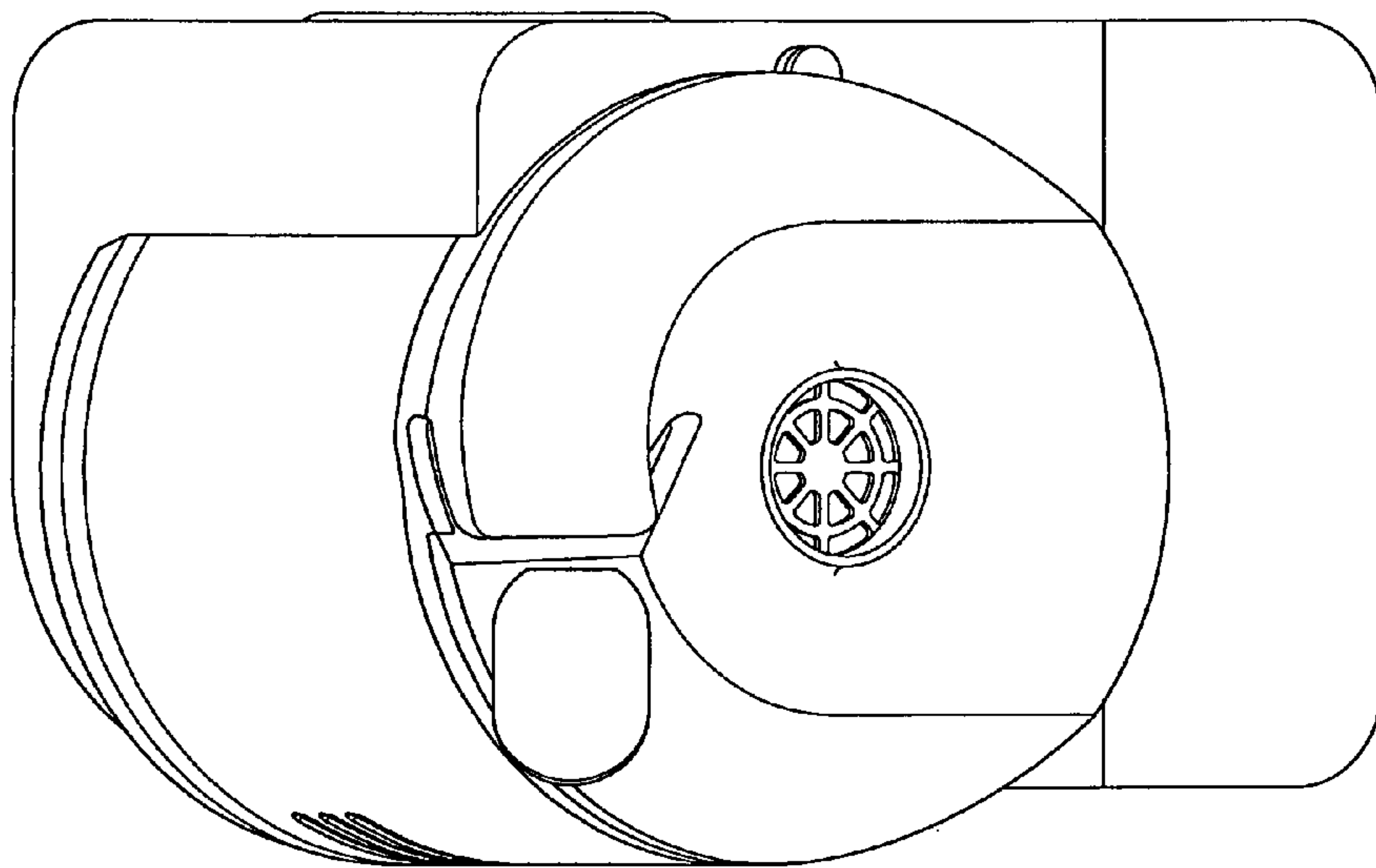


FIG. 4

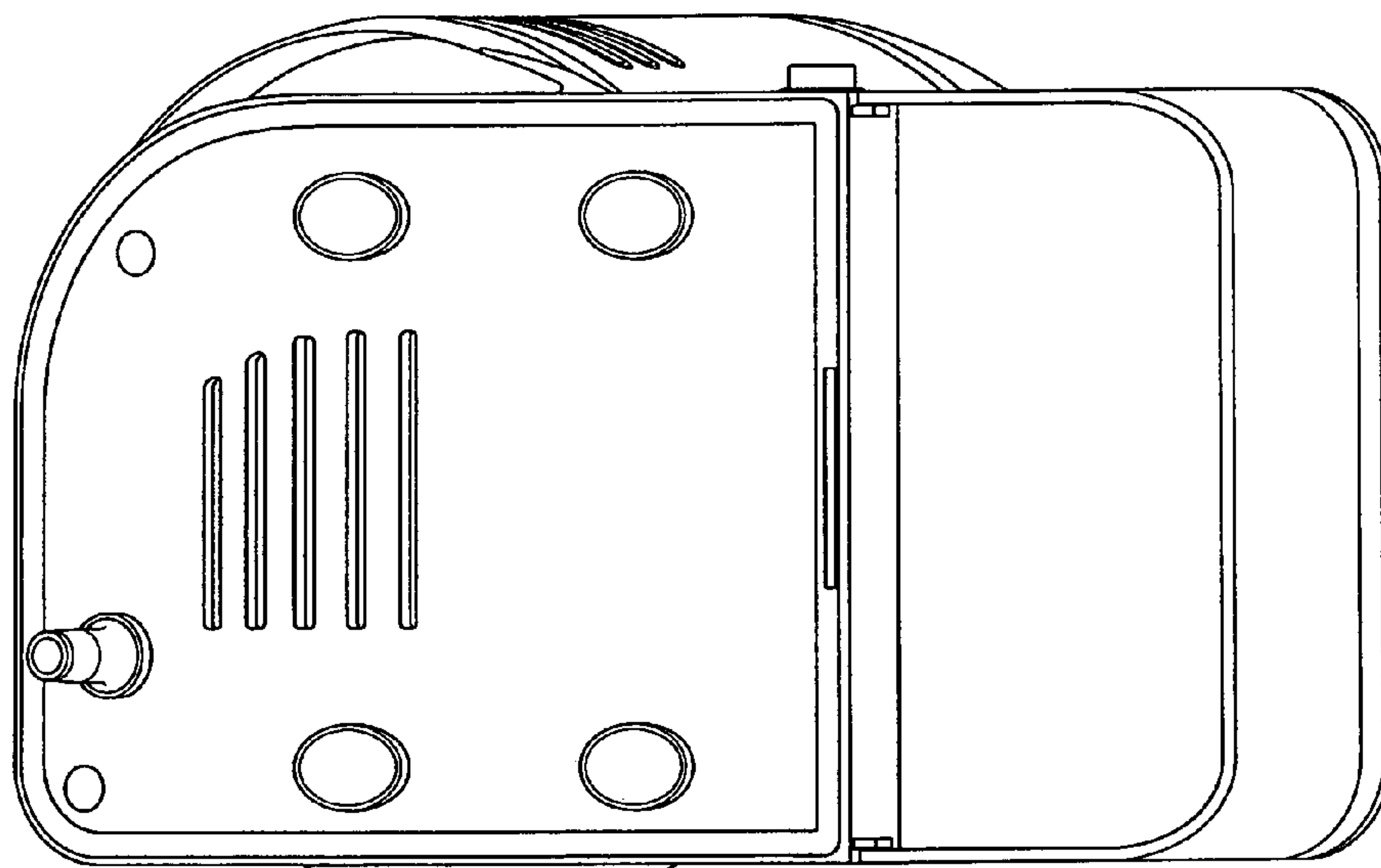


FIG. 5

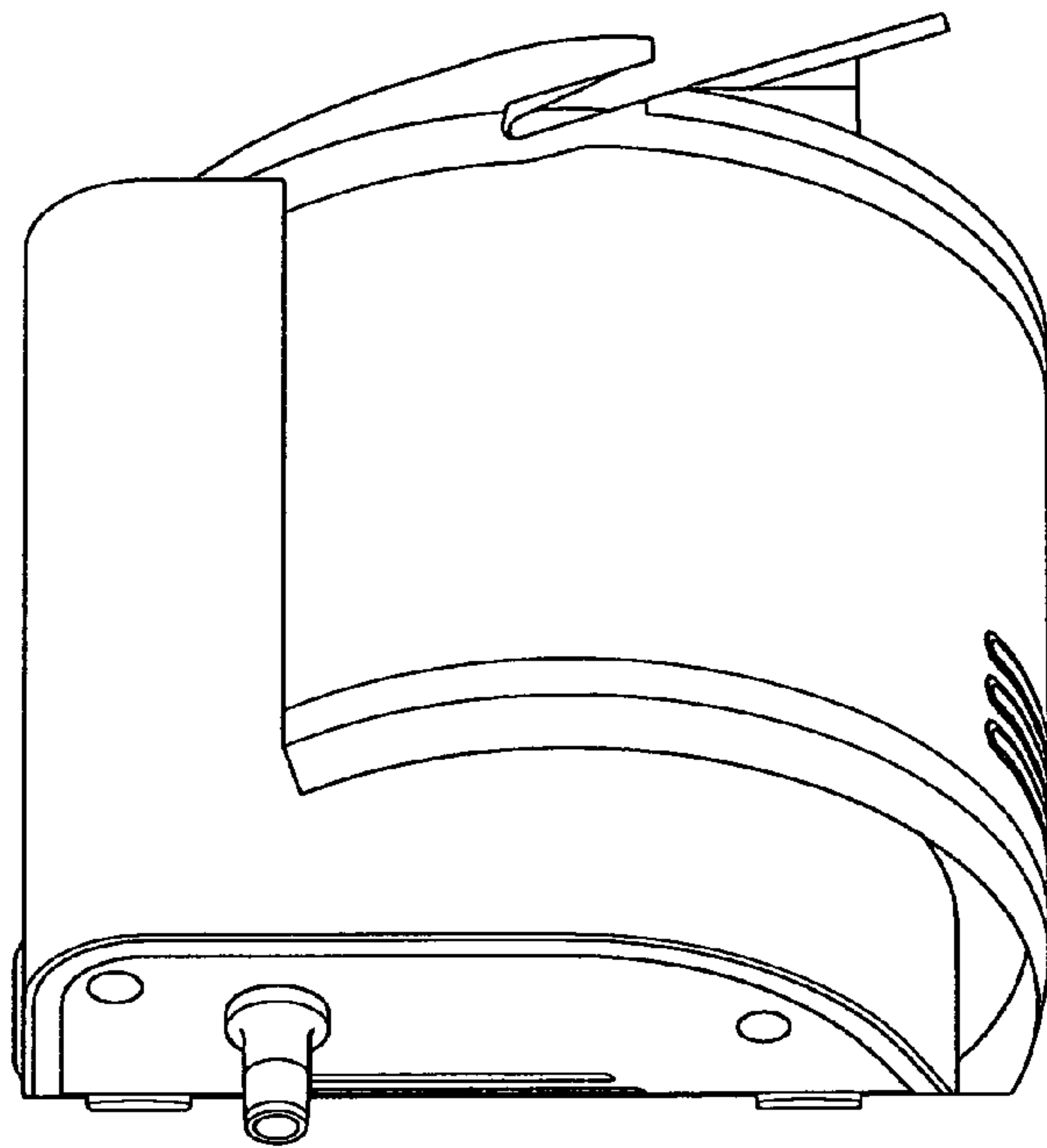


FIG. 6

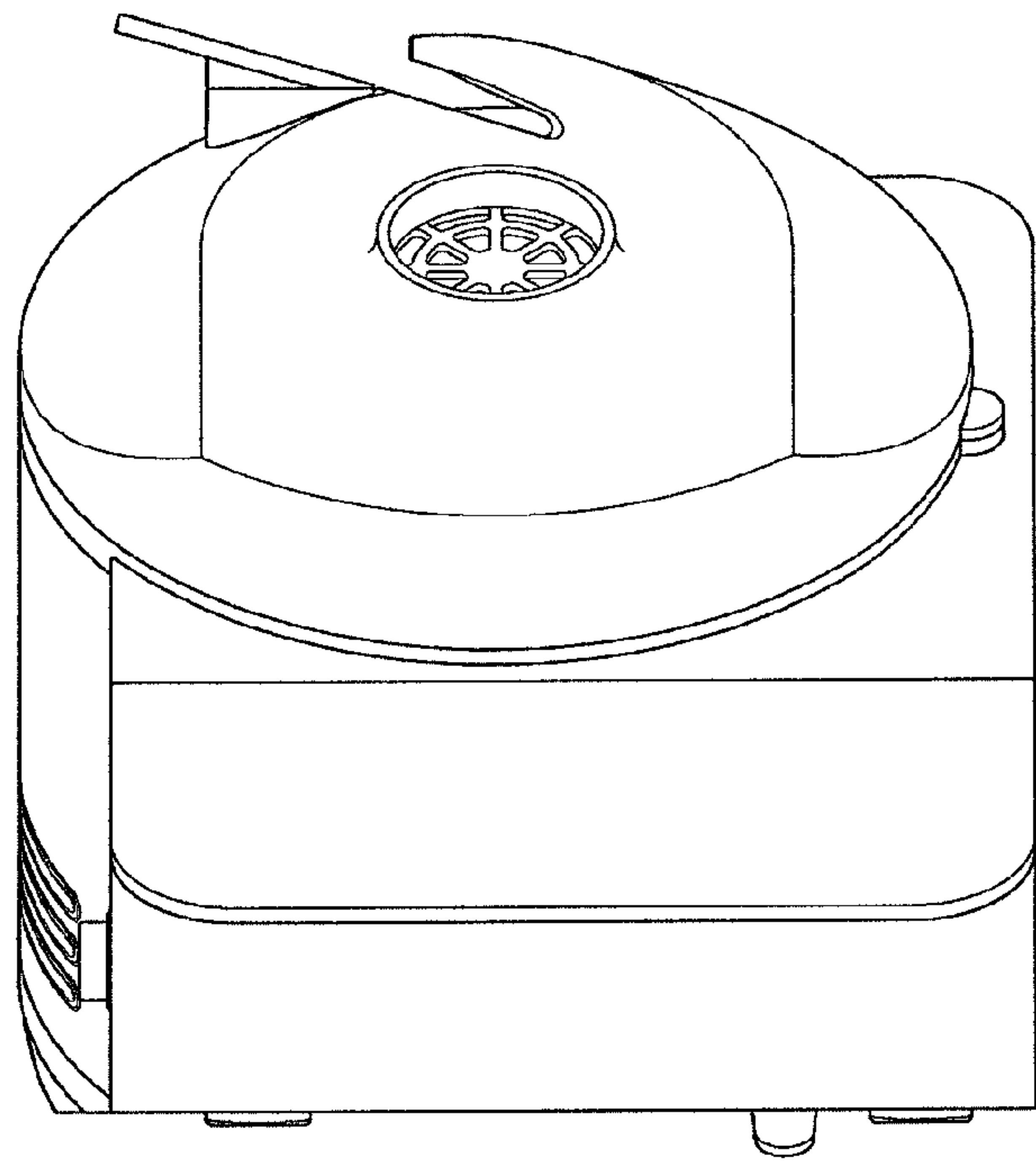


FIG. 7