



US00D703014S

(12) **United States Design Patent**
Lohmann

(10) **Patent No.:** **US D703,014 S**
(45) **Date of Patent:** **** Apr. 22, 2014**

(54) **ACORN RAKE**

(76) Inventor: **Thomas R. Lohmann**, Edina, MN (US)

(**) Term: **14 Years**

(21) Appl. No.: **29/430,618**

(22) Filed: **Aug. 28, 2012**

(51) **LOC (10) Cl.** **08-01**

(52) **U.S. Cl.**
USPC **D8/13**

(58) **Field of Classification Search**
USPC D8/1, 13; 56/400.01, 400.04, 400.07,
56/400.16, 400.12, 400.17, 400.21
See application file for complete search history.

(56) **References Cited**

U.S. PATENT DOCUMENTS

1,497,855	A	6/1924	Joneson	
2,495,947	A	1/1950	Smith	
3,408,803	A	11/1968	Vanderveer	
D220,420	S *	4/1971	Rothwell	D8/13
D232,907	S *	9/1974	Yankee	D8/13
4,150,528	A	4/1979	Rendin	
4,635,429	A	1/1987	Cornelius	
4,741,149	A *	5/1988	vom Braucke et al.	56/400.04
D298,907	S	12/1988	Bonnes	
D392,854	S *	3/1998	Gregory	D8/13
D425,384	S	5/2000	Parker	
D426,437	S	6/2000	Parker	
D439,119	S *	3/2001	Colonello	D8/13
6,381,938	B1	5/2002	Kelly	
6,463,727	B2	10/2002	Blyth	
D500,943	S *	1/2005	Orozco	D8/13
D505,304	S	5/2005	Conaway et al.	
6,886,318	B2	5/2005	Savas	
D514,902	S	2/2006	Conaway et al.	

D517,876	S	3/2006	DeWinter et al.	
D560,451	S *	1/2008	Silicato et al.	D8/13
D599,633	S *	9/2009	Renfro	D8/13
2003/0046918	A1	3/2003	Roy, Sr.	
2011/0088366	A1	4/2011	Graetz	
2011/0219740	A1	9/2011	Abughazaleh	

FOREIGN PATENT DOCUMENTS

WO WO 03022030 3/2003

* cited by examiner

Primary Examiner — Sheryl Lane

(74) *Attorney, Agent, or Firm* — Ostrow Kaufman LLP

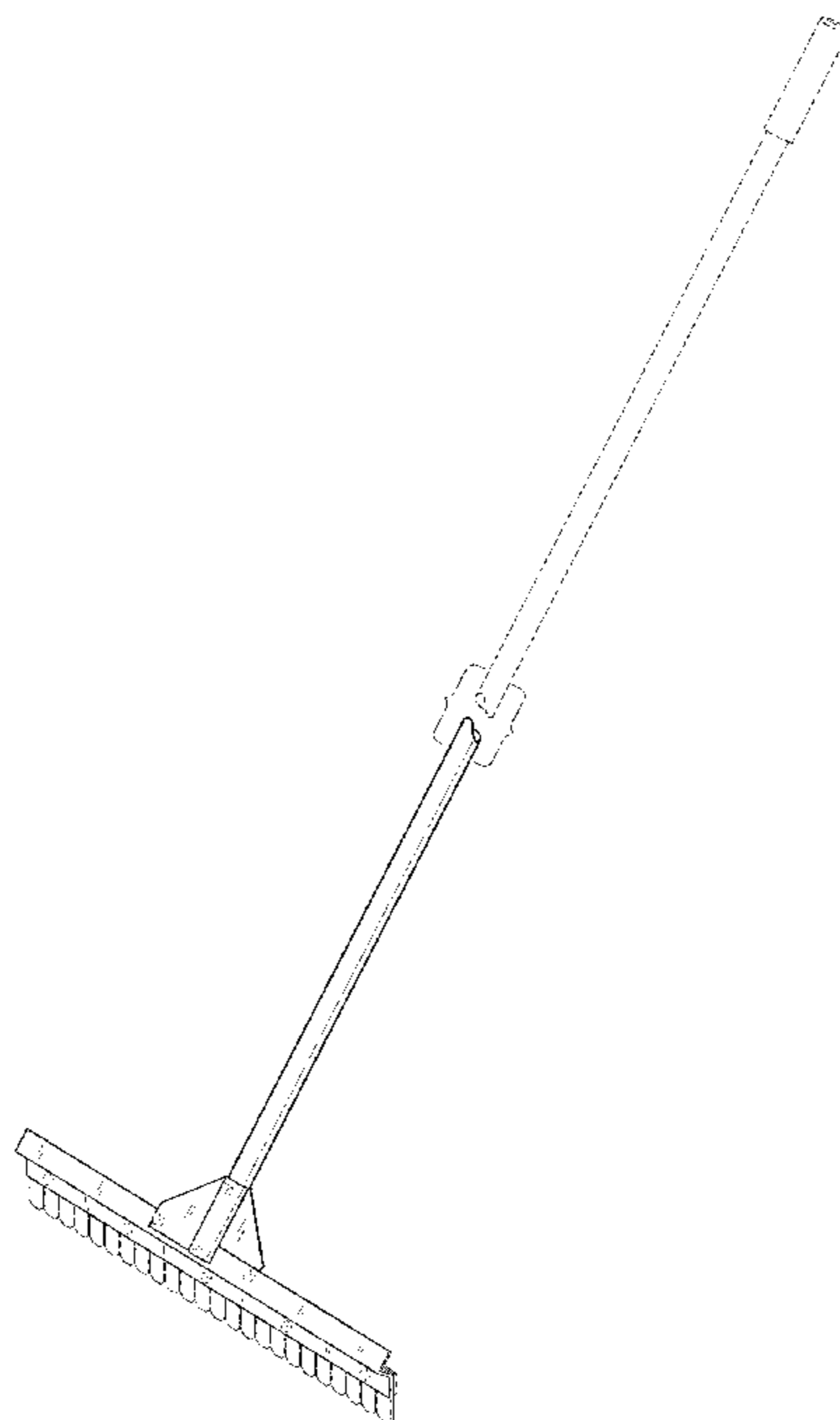
(57) **CLAIM**

The ornamental design for an acorn rake, as shown and described.

DESCRIPTION

FIG. 1 is a perspective view of one side and the front of the acorn rake according to one embodiment of my new design; FIG. 2 is a perspective view of one side and the back of the invention according to one embodiment of my new design; FIG. 3 is a front view thereof; FIG. 4 is a back view thereof; FIG. 5 is a right side view thereof; FIG. 6 is a left side view thereof; FIG. 7 is a top view thereof; and, FIG. 8 is a bottom view thereof. The broken lines represent portions of the article and form no part of the claimed design.

1 Claim, 6 Drawing Sheets



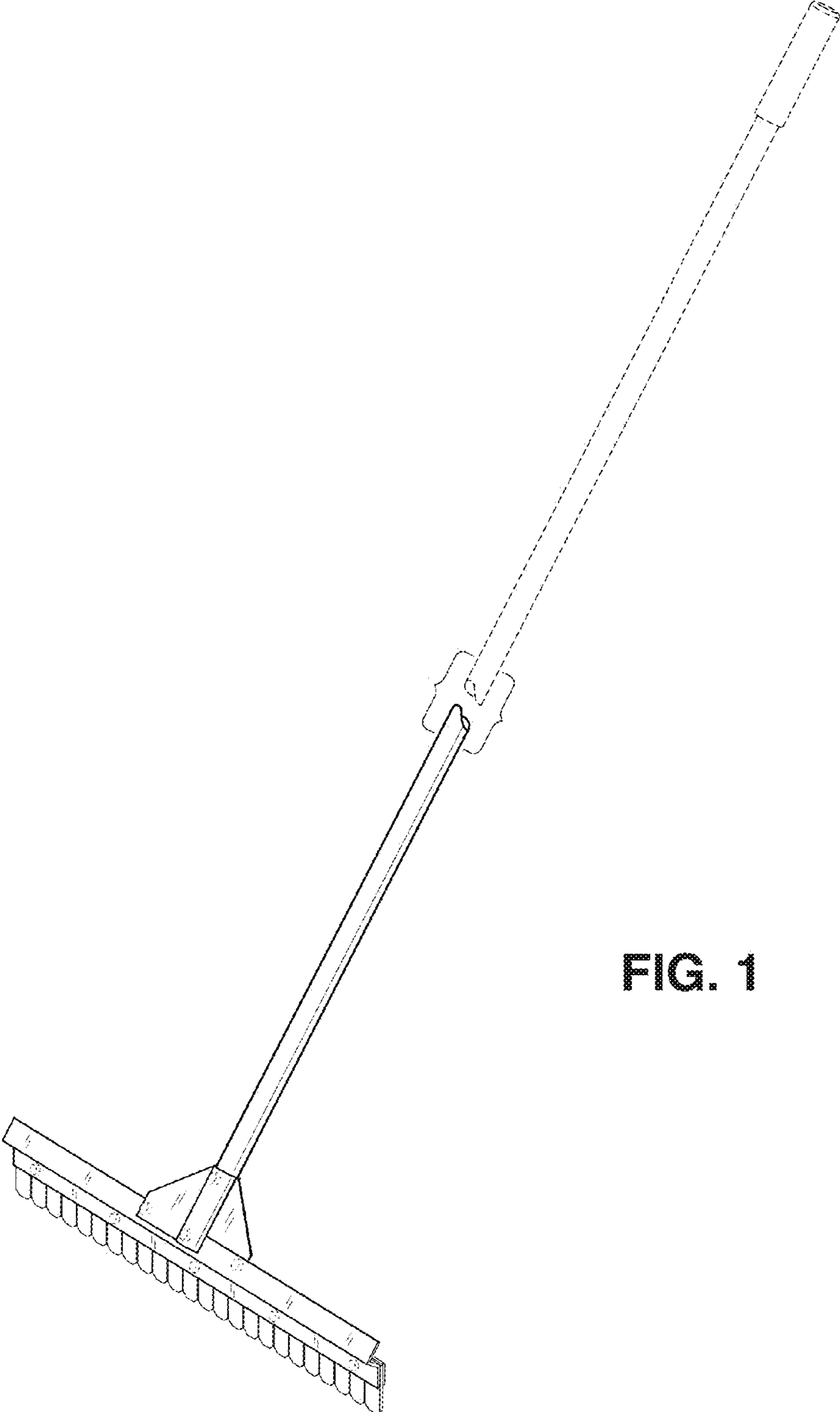


FIG. 1

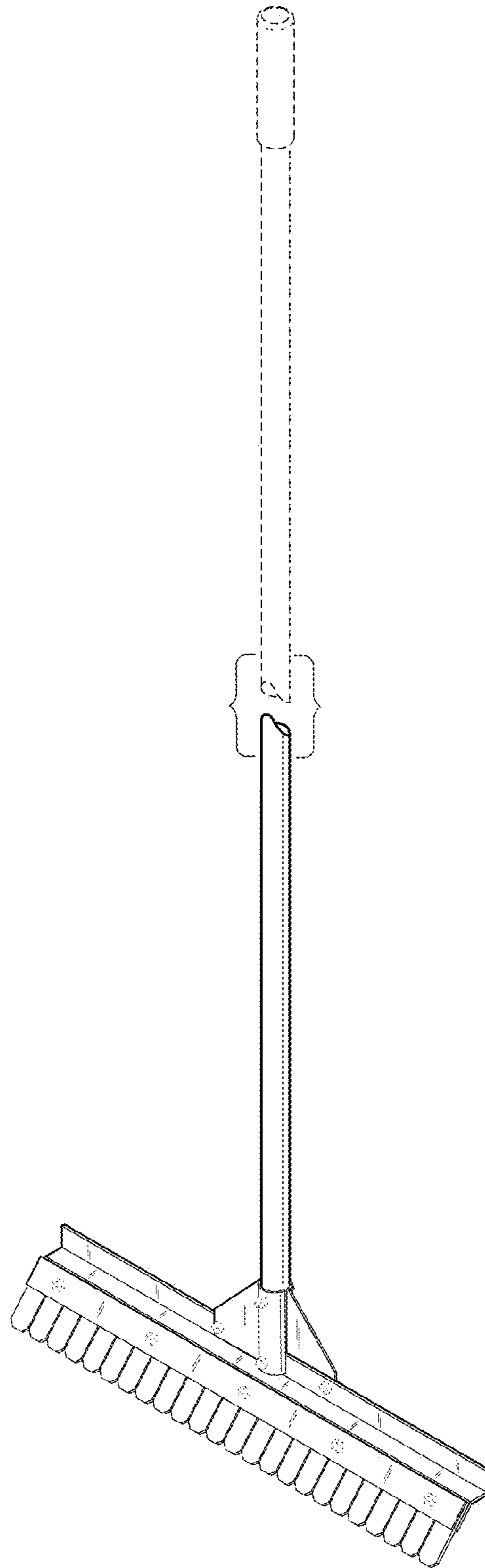


FIG. 2

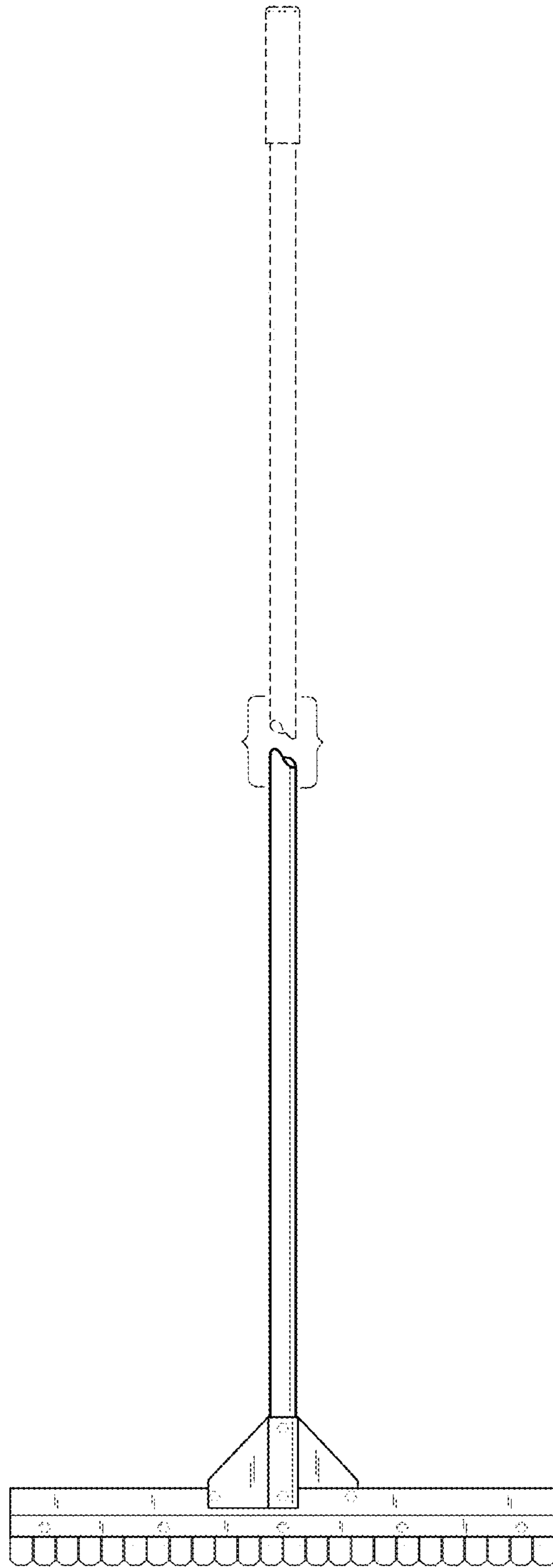


FIG. 3

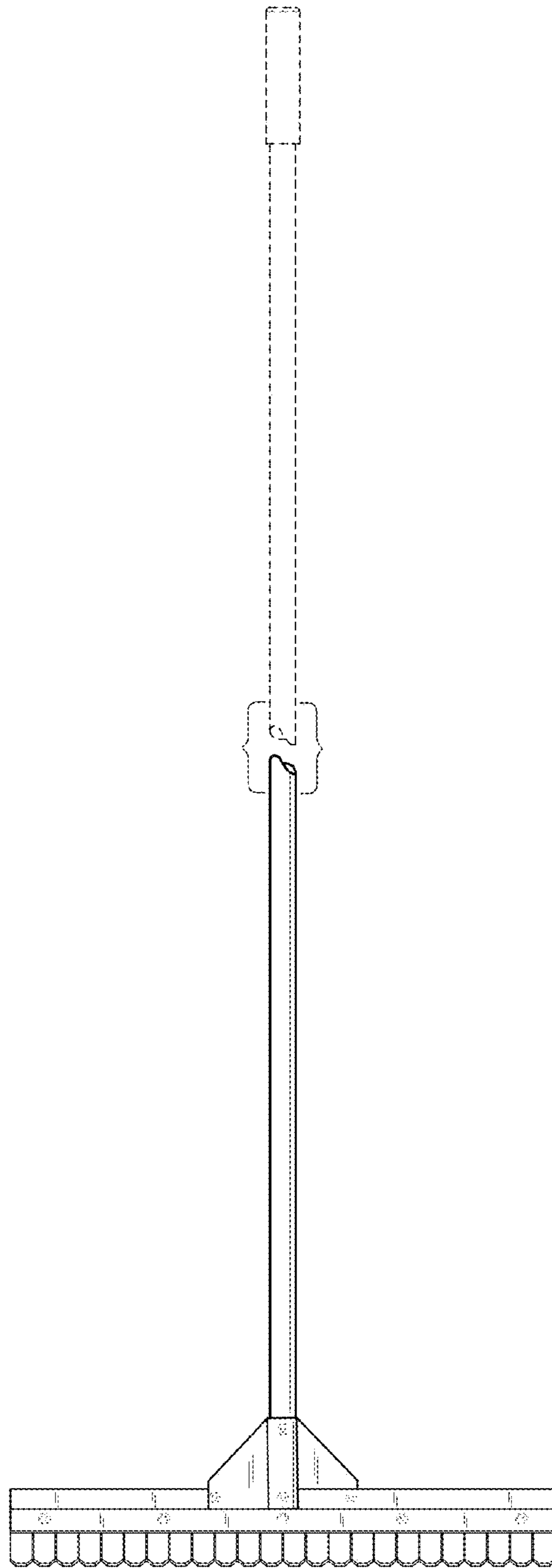


FIG. 4

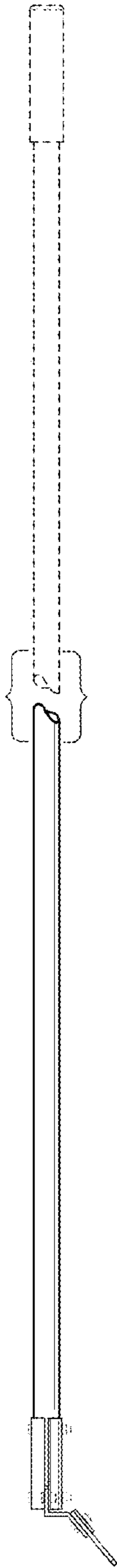


FIG. 5

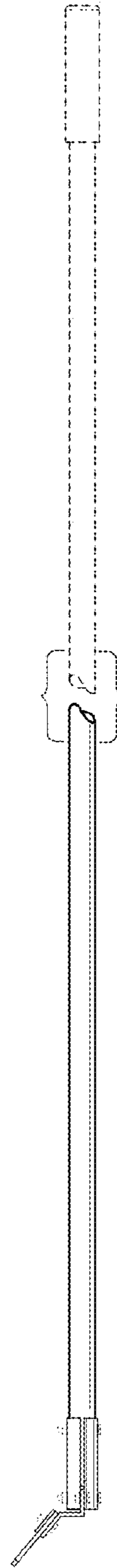


FIG. 6

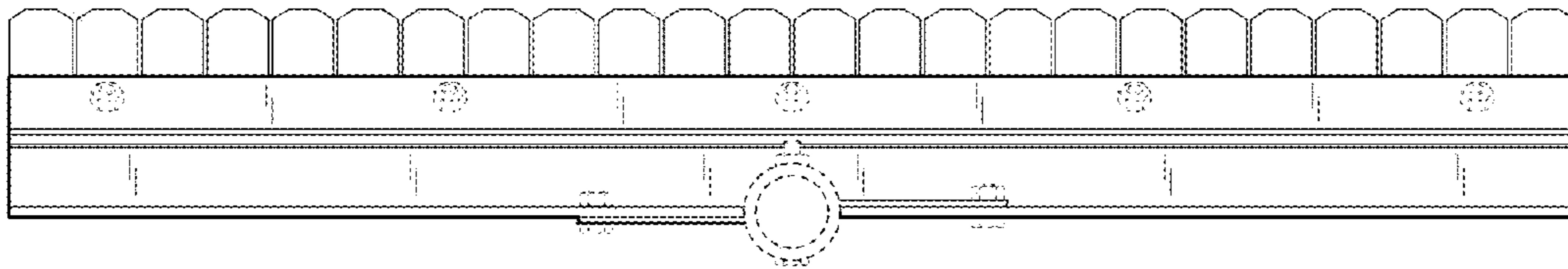


FIG. 7

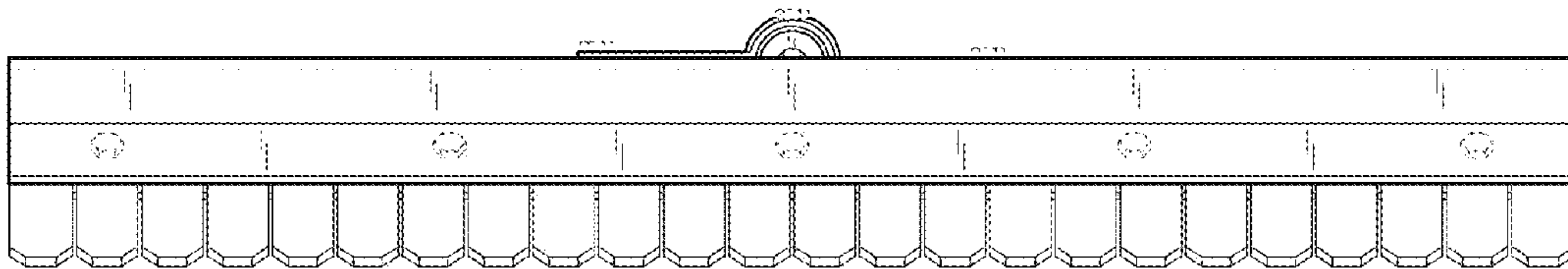


FIG. 8