



US00D703013S

(12) **United States Design Patent**
Firth

(10) **Patent No.:** **US D703,013 S**
(45) **Date of Patent:** **** Apr. 22, 2014**

- (54) **SHOVEL**
- (71) Applicant: **Leland Firth**, Sanford, MI (US)
- (72) Inventor: **Leland Firth**, Sanford, MI (US)
- (**) Term: **14 Years**
- (21) Appl. No.: **29/476,063**
- (22) Filed: **Dec. 10, 2013**
- (51) **LOC (10) Cl.** **08-01**
- (52) **U.S. Cl.**
USPC **D8/1**
- (58) **Field of Classification Search**
USPC D8/10; 294/49, 54.5, 53.5, 53; 7/116;
56/400.01
See application file for complete search history.

- D598,256 S * 8/2009 Chesness D8/10
- D602,318 S * 10/2009 Chesness D8/10
- 7,681,933 B2 * 3/2010 Chesness 294/54.5
- D617,158 S * 6/2010 Smith D8/10
- D676,724 S * 2/2013 Kessler D8/10

* cited by examiner

Primary Examiner — Sheryl Lane

(74) *Attorney, Agent, or Firm* — James A. Italia; Italia IP

(57) **CLAIM**

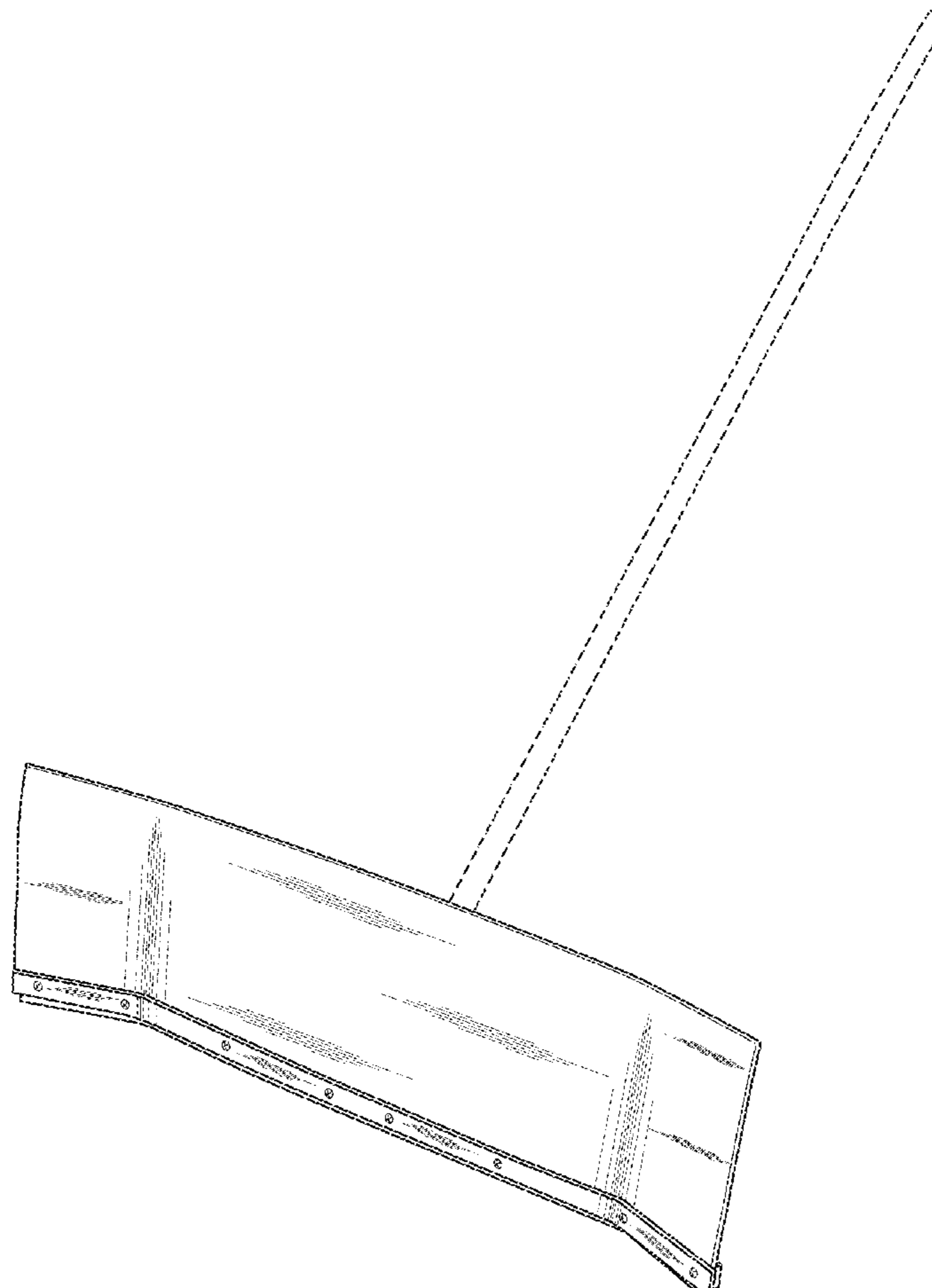
The ornamental design for a shovel, as shown and described.

DESCRIPTION

FIG. 1 is a perspective view of a shovel showing my new design;
 FIG. 2 is a front elevational view of the invention;
 FIG. 3 is a rear elevational view of the invention;
 FIG. 4 is a right-side elevational view of the invention;
 FIG. 5 is a left-side elevational view of the invention;
 FIG. 6 is a top plan view of the invention; and,
 FIG. 7 is a bottom plan view of the invention.
 The broken lines represent a portion of the shovel and form no part of the claimed design.

1 Claim, 3 Drawing Sheets

- (56) **References Cited**
U.S. PATENT DOCUMENTS
2,896,993 A * 7/1959 Pollock 37/283
D307,378 S * 4/1990 D'Alessandro D8/10
D392,522 S * 3/1998 Kenyon D8/10
D586,192 S * 2/2009 Chesness D8/10



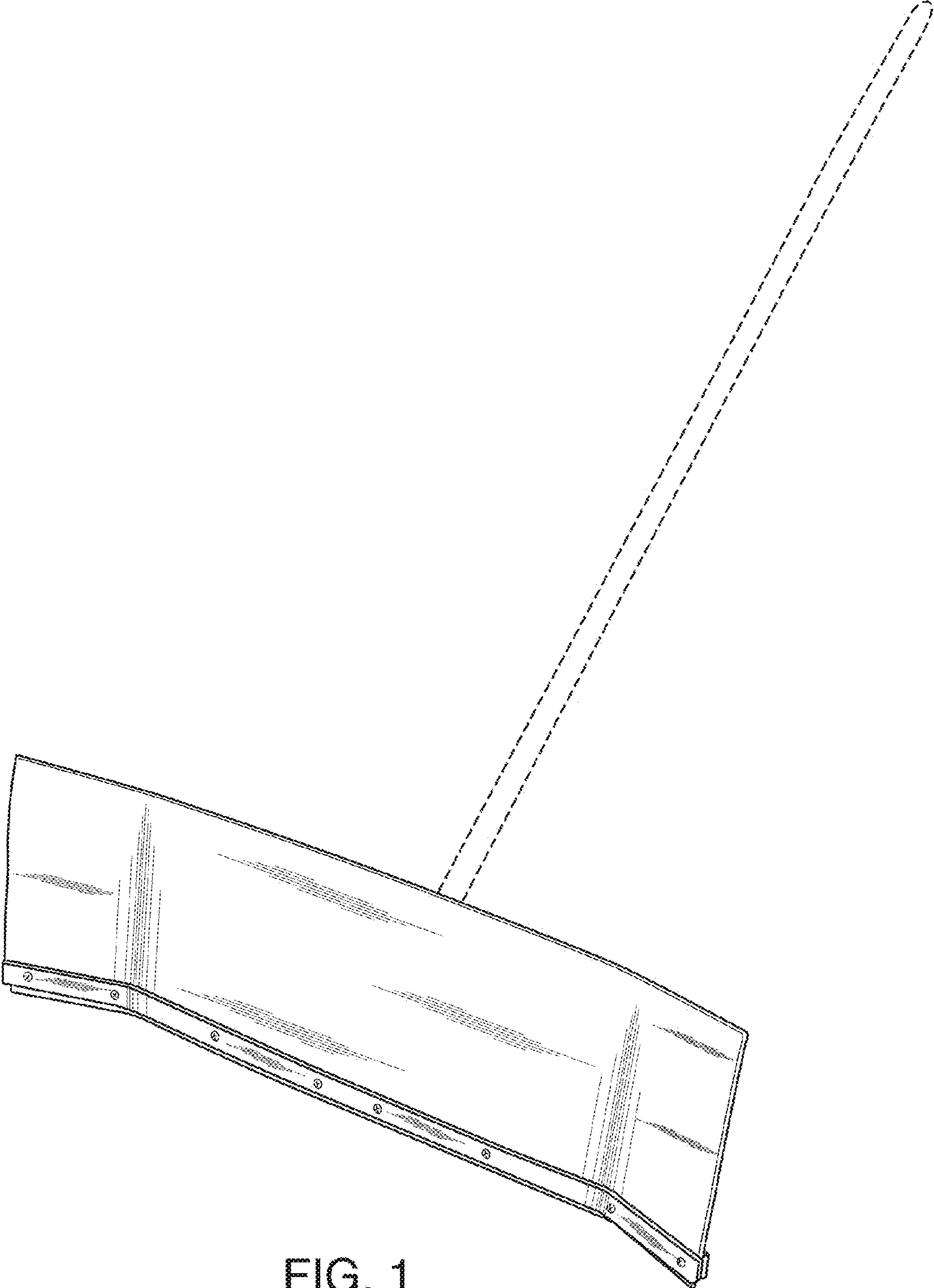


FIG. 1

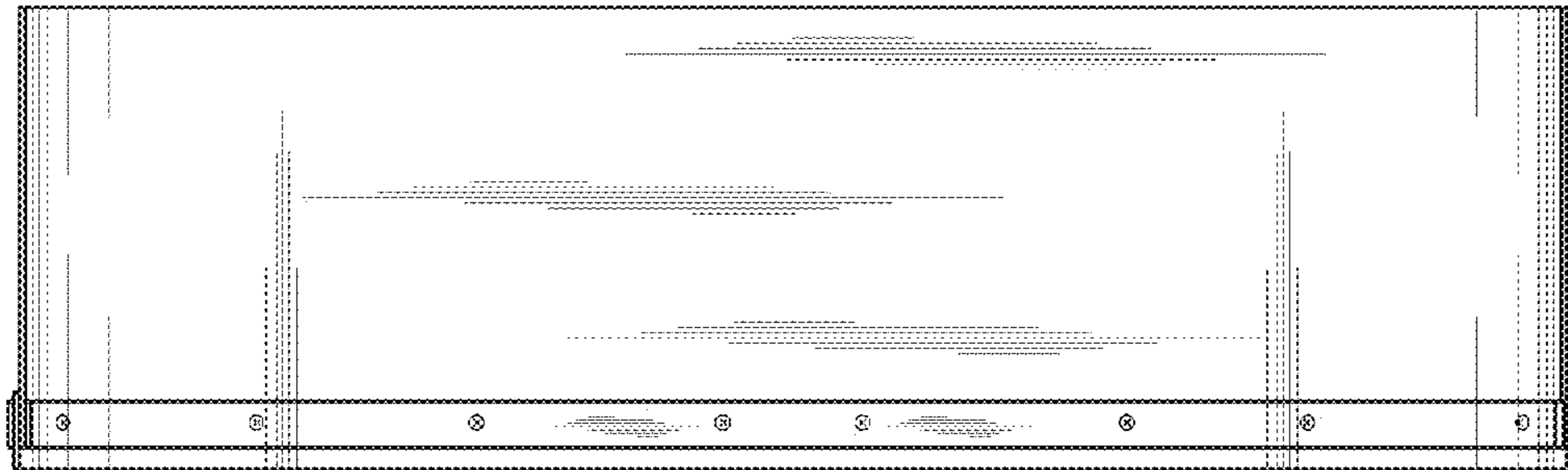


FIG. 2

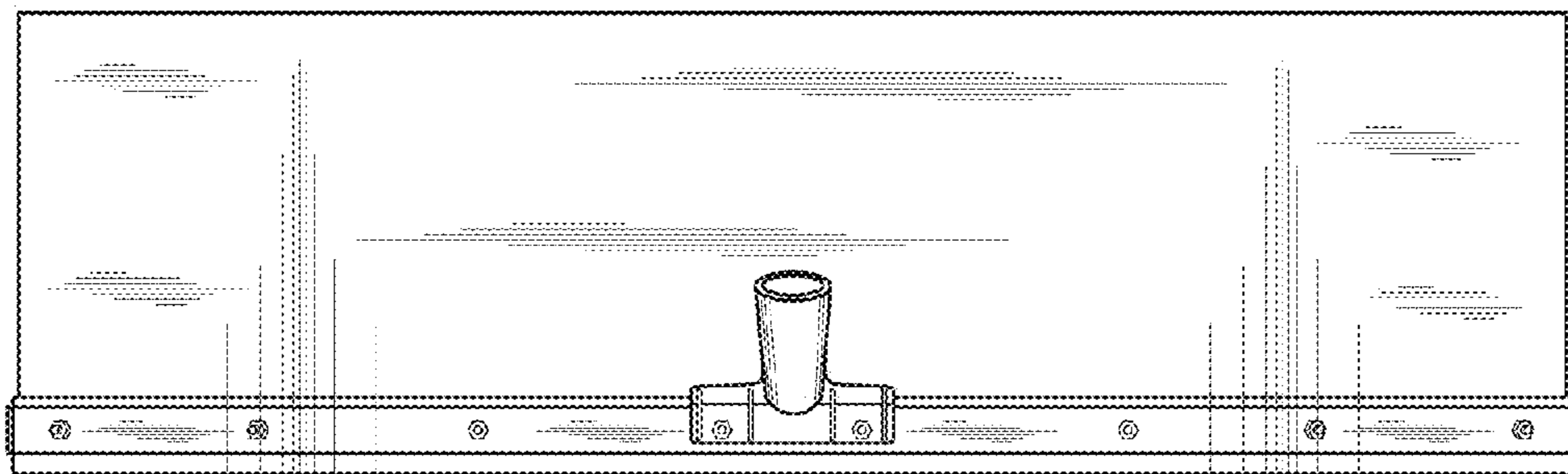


FIG. 3

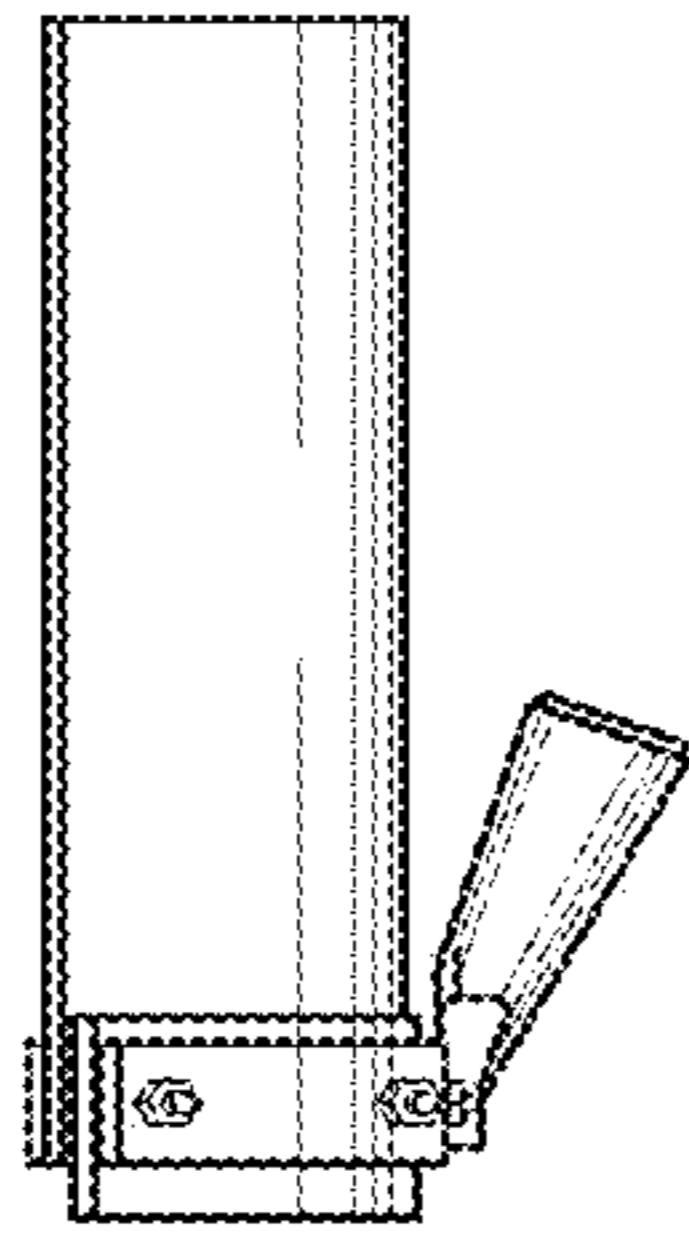


FIG. 4

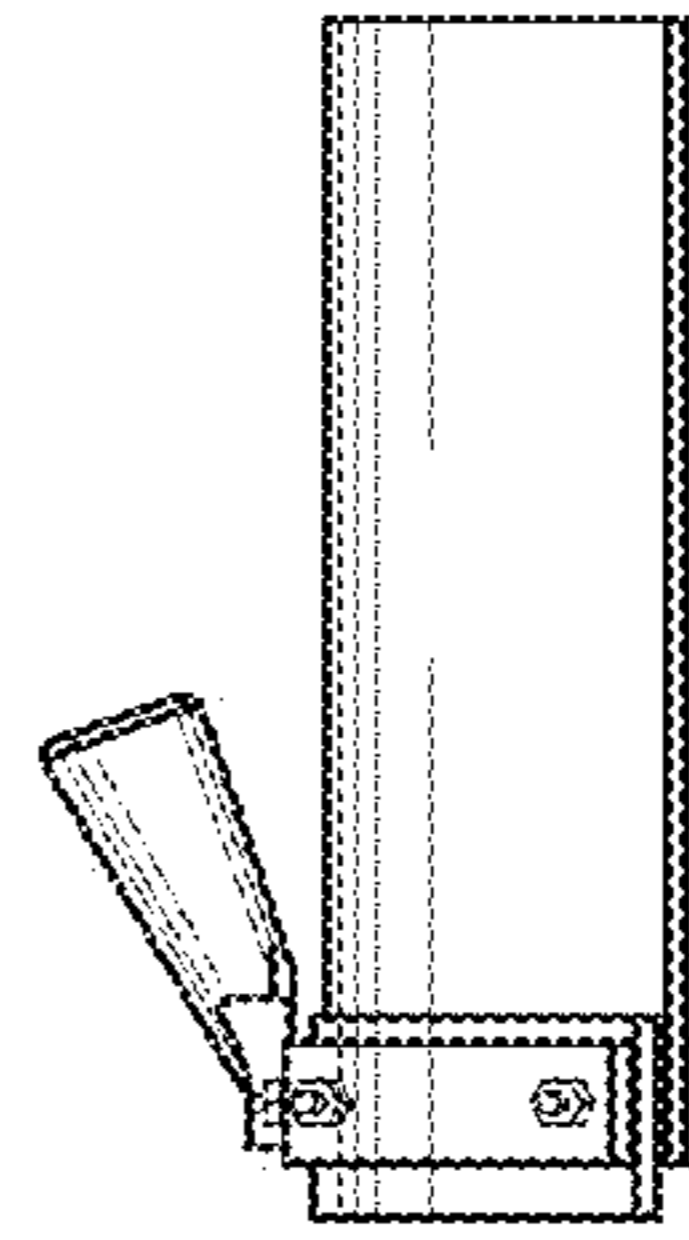


FIG. 5

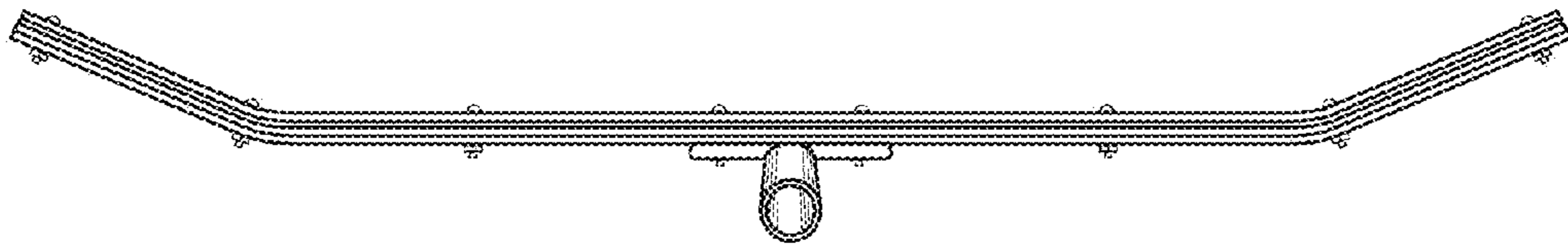


FIG. 6

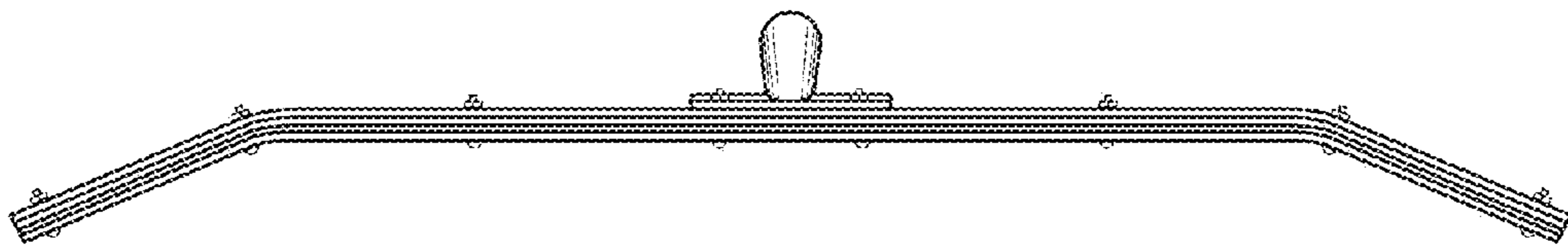


FIG. 7