



US00D703012S

(12) **United States Design Patent**
Yen

(10) **Patent No.:** **US D703,012 S**
(45) **Date of Patent:** **** Apr. 22, 2014**

(54) **TABLE GARDEN BED**

(71) Applicant: **Robert E. Yen**, Phoenix, AZ (US)

(72) Inventor: **Robert E. Yen**, Phoenix, AZ (US)

(**) Term: **14 Years**

(21) Appl. No.: **29/455,758**

(22) Filed: **May 24, 2013**

(51) **LOC (10) Cl.** **08-01**

(52) **U.S. Cl.**
USPC **D8/1**

(58) **Field of Classification Search**
USPC D8/1; 47/66.1, 19.1, 18; D11/156
See application file for complete search history.

(56) **References Cited**

U.S. PATENT DOCUMENTS

1,833,676	A *	11/1931	Gloekler	47/18
2,524,246	A *	10/1950	Young	47/18
2,545,717	A *	3/1951	Voigt	47/18
4,367,984	A *	1/1983	Cartwright	405/302.6
D271,954	S *	12/1983	Neil	D11/156
D271,955	S *	12/1983	Neil	D11/156
4,739,580	A *	4/1988	Simmons et al.	47/17
5,040,328	A *	8/1991	Coon	47/1.1
5,400,544	A *	3/1995	Wien	47/33
D376,964	S *	12/1996	Lewy	D8/1
6,907,693	B1 *	6/2005	Bemben	47/65

7,036,270	B1 *	5/2006	Shepherd	47/18
7,533,488	B2 *	5/2009	Singer	47/19.1
7,533,491	B2 *	5/2009	Singer et al.	47/66.1
D637,361	S *	5/2011	Jeffries	D30/131
D643,647	S *	8/2011	Owen et al.	D6/403
D655,141	S *	3/2012	Isorez	D8/1
D666,464	S *	9/2012	Austin	D8/1
D676,355	S *	2/2013	Williamsen	D11/156
RE44,055	E *	3/2013	Singer et al.	47/66.1

* cited by examiner

Primary Examiner — Sheryl Lane

(57) **CLAIM**

I claim the ornamental design for a table garden bed, substantially as shown and described.

DESCRIPTION

FIG. 1 is a front perspective view of a table garden bed of the present design.

FIG. 2 is a right view of the embodiment shown in FIG. 1;

FIG. 3 is a left view of the embodiment shown in FIG. 1;

FIG. 4 is a front view of the embodiment shown in FIG. 1;

FIG. 5 is a back view of the embodiment shown in FIG. 1;

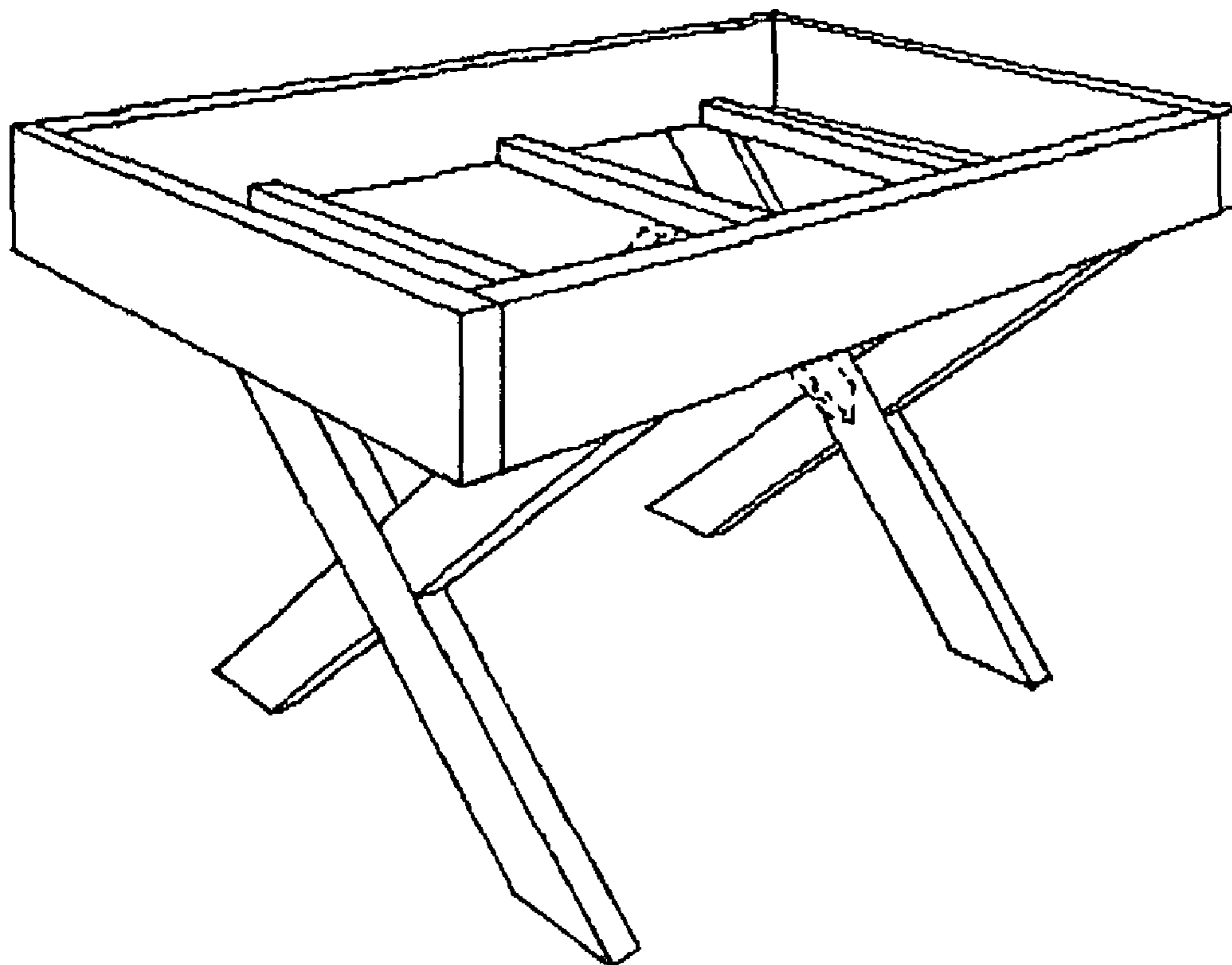
FIG. 6 is a top view of the embodiment shown in FIG. 1; and,

FIG. 7 is a bottom view of the embodiment shown in FIG. 1.

Table garden bed for use in supporting a garden.

The broken line showing of cross-members is for the purpose of illustrating connection between legs and forms no part of the claimed design.

1 Claim, 3 Drawing Sheets



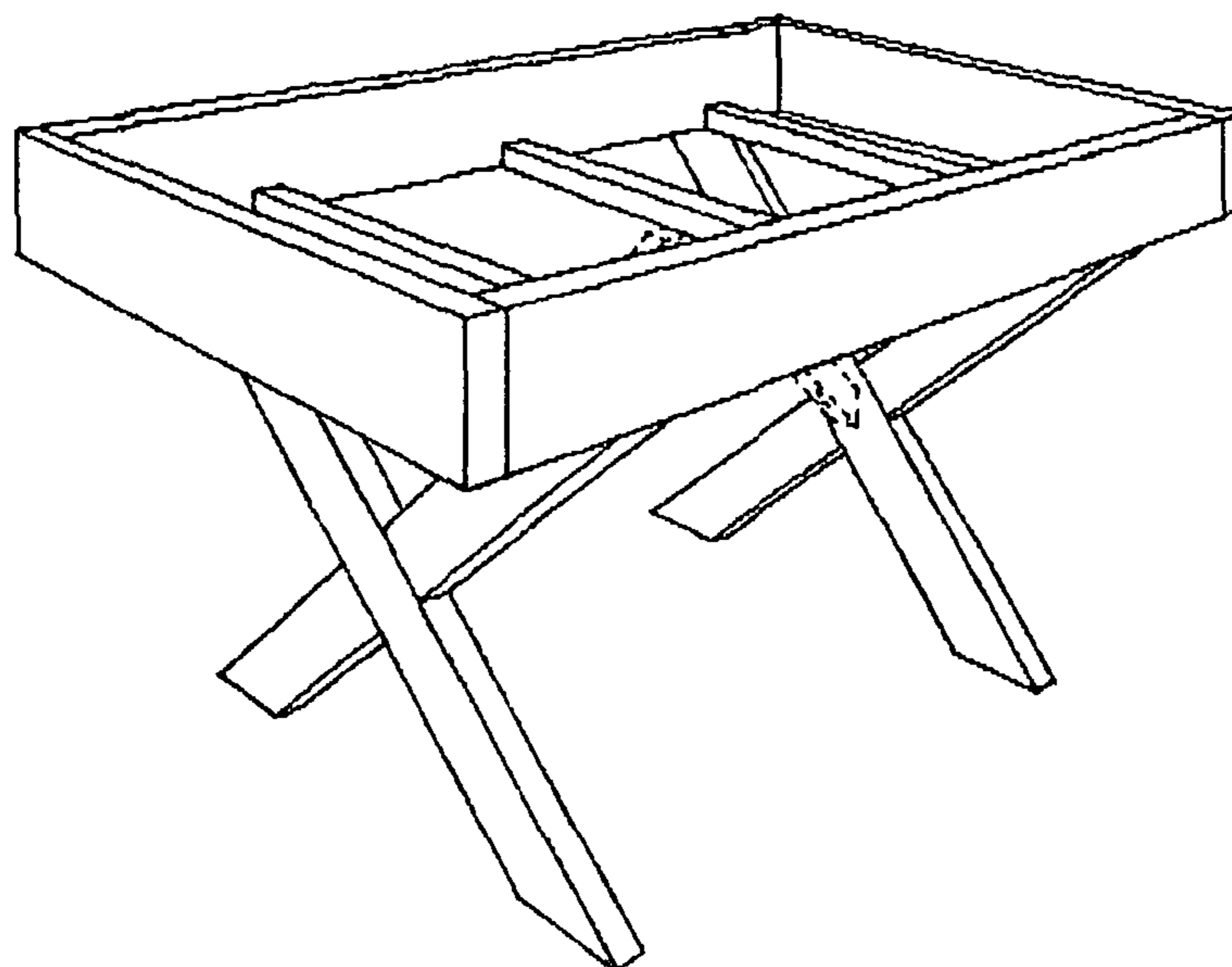


FIG. 1

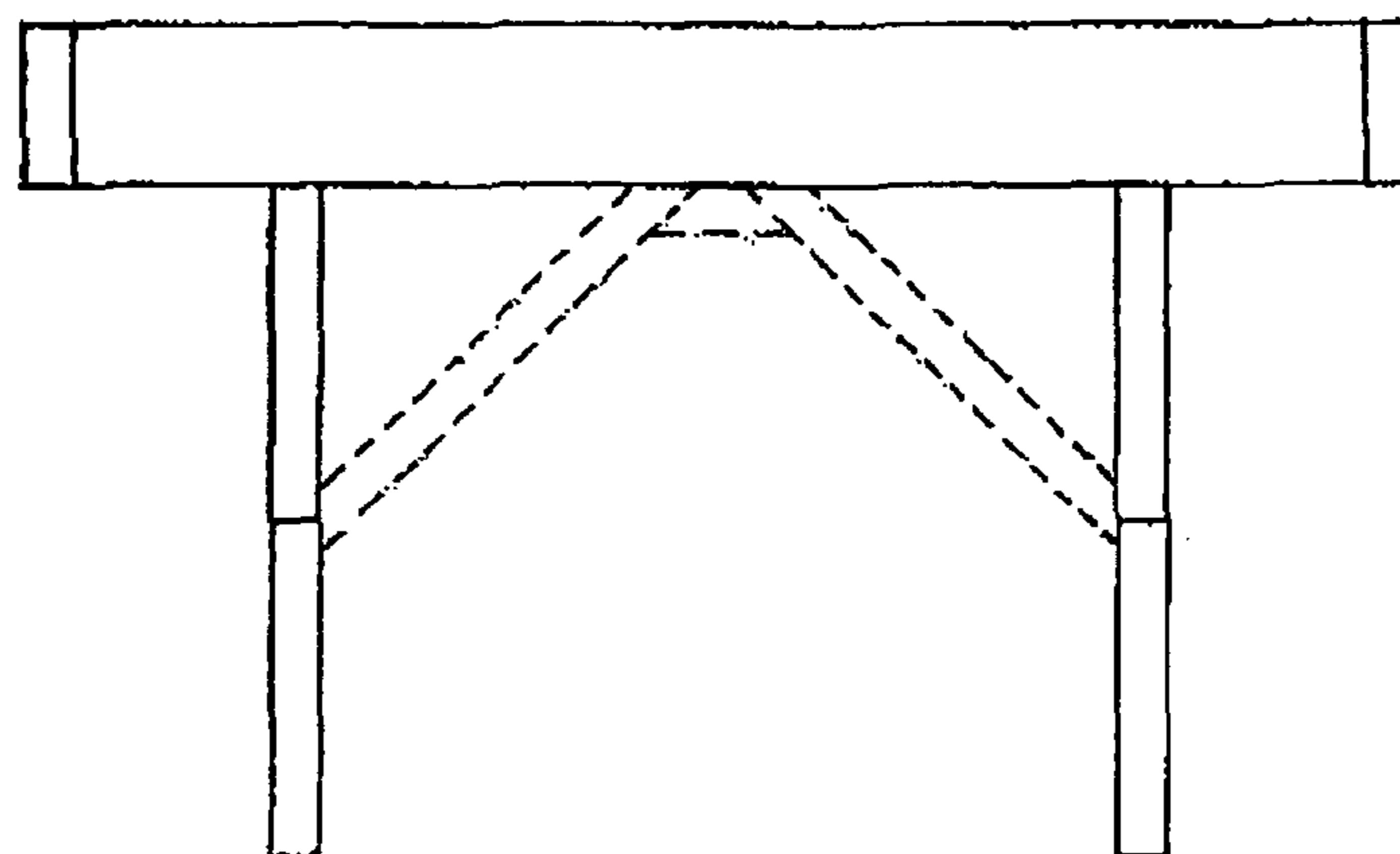


FIG. 2

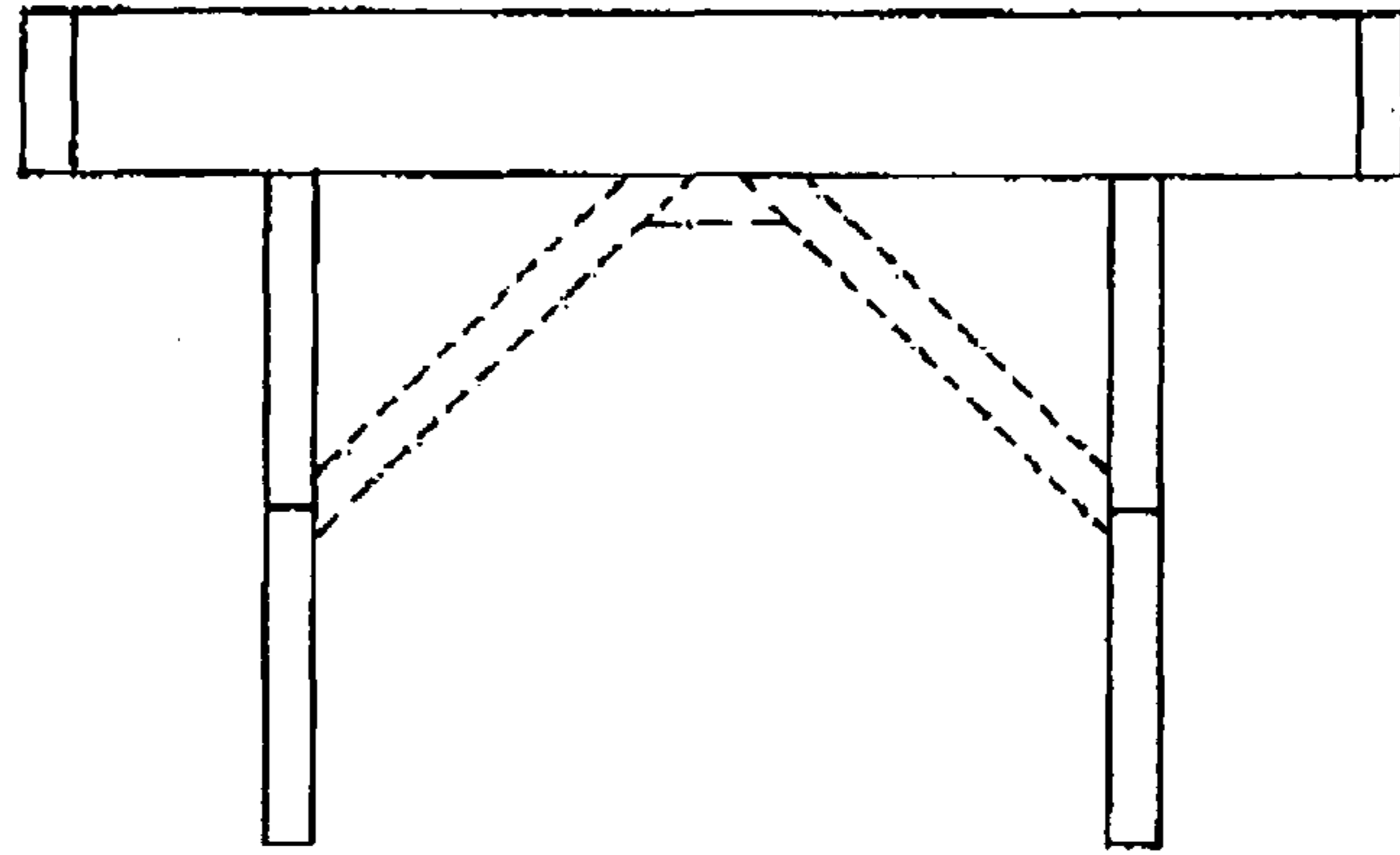


FIG. 3

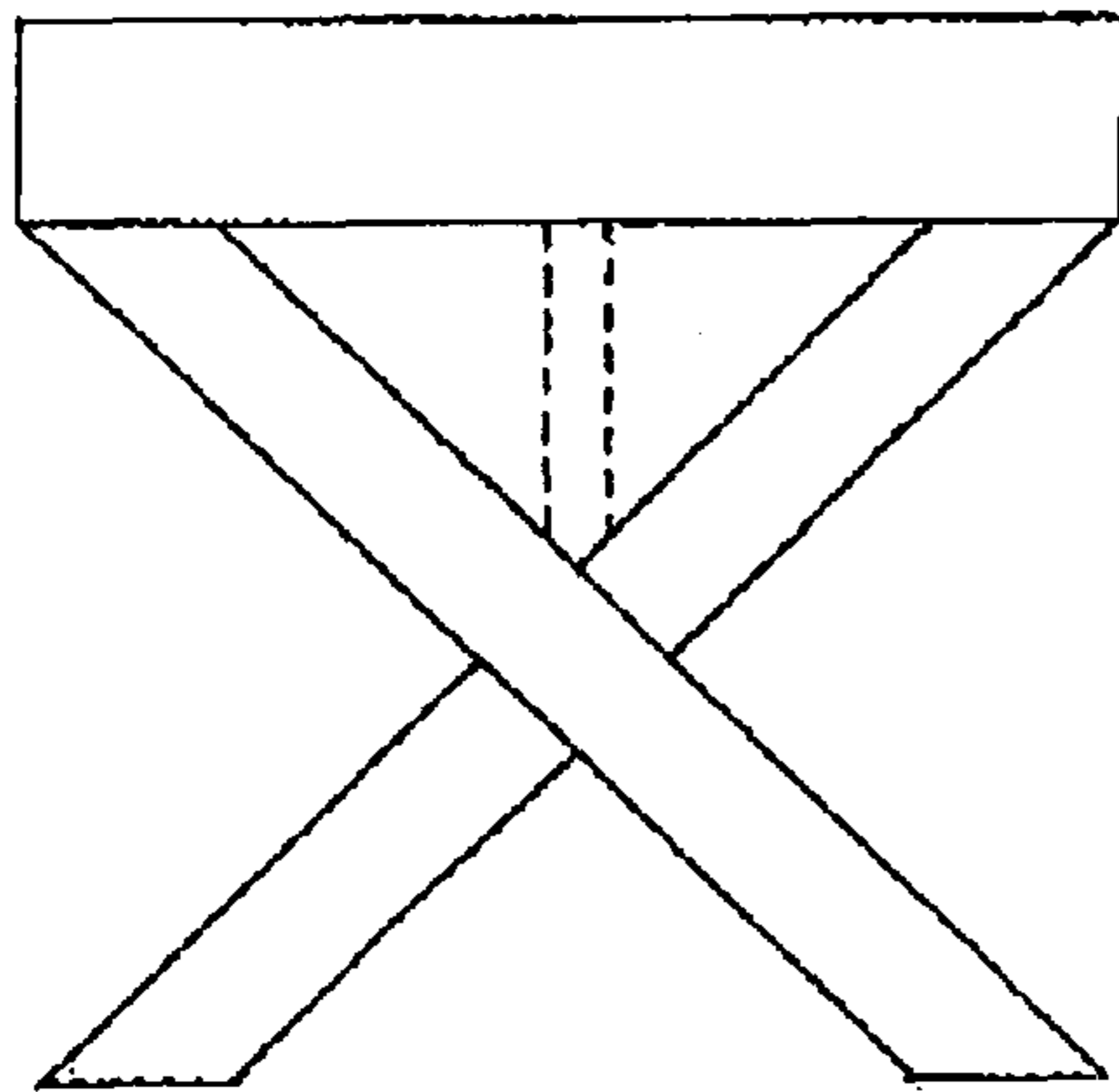


FIG. 4

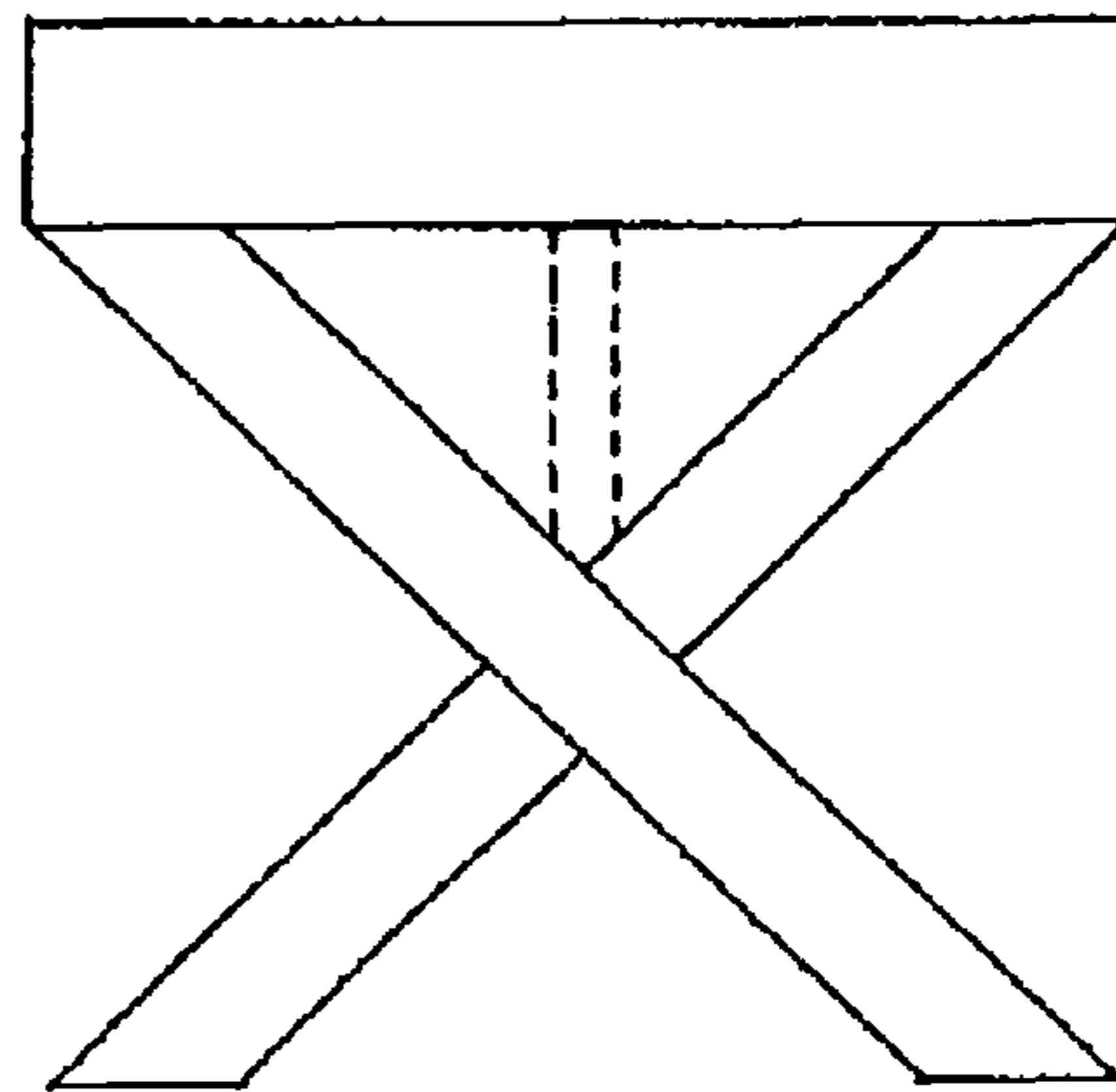


FIG. 5

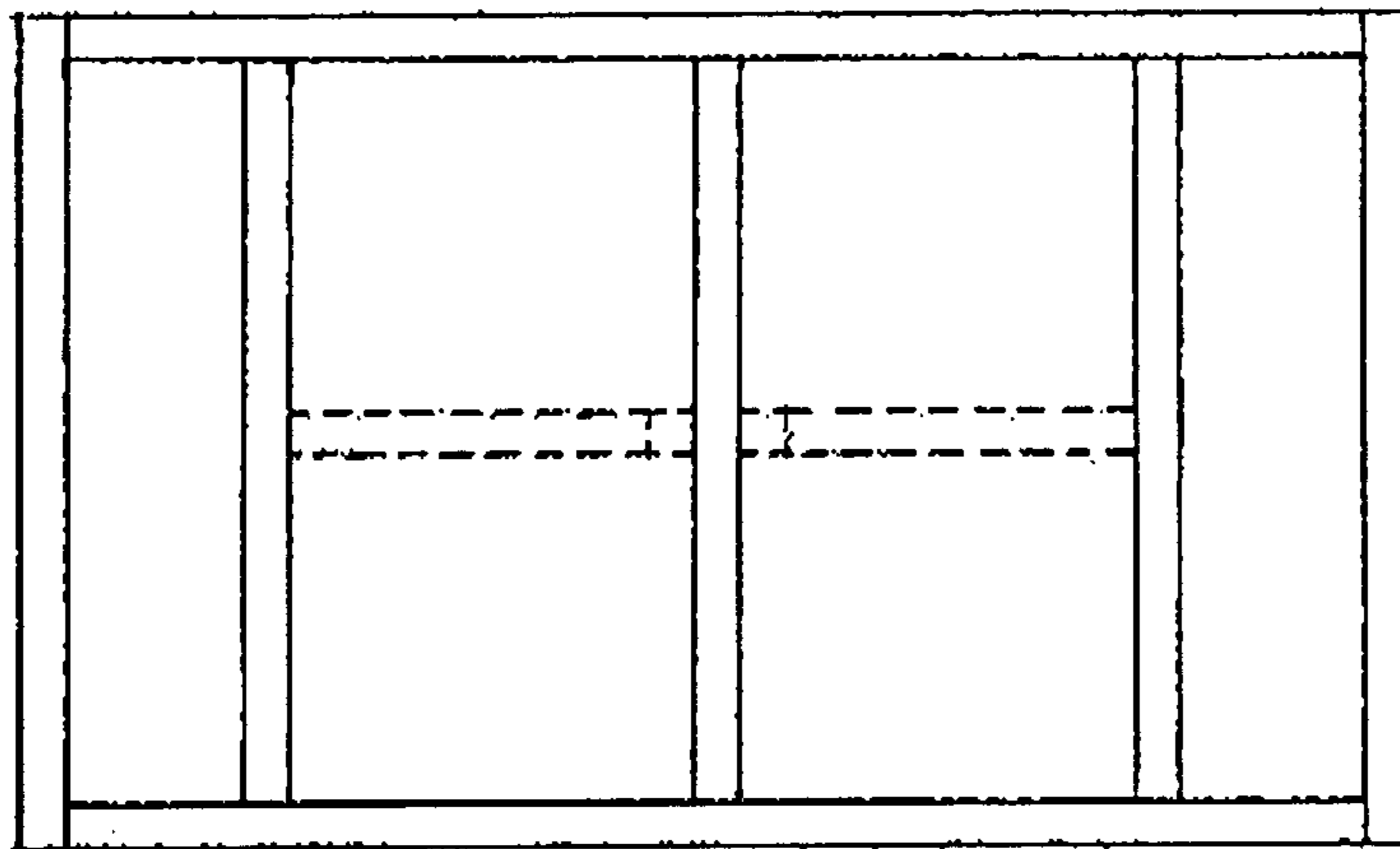


FIG. 6

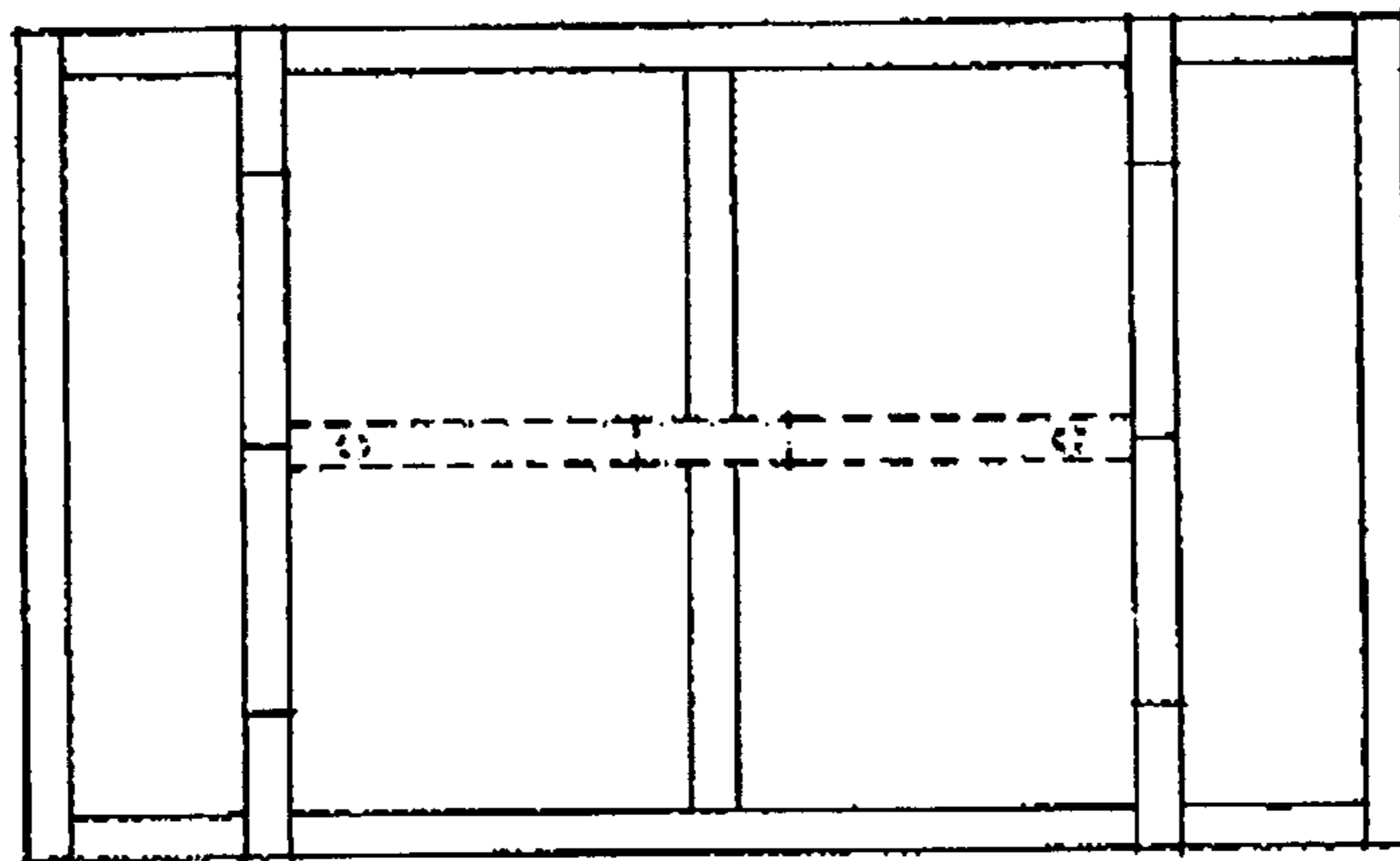


FIG. 7