



US00D703010S

(12) **United States Design Patent**
Meyer

(10) **Patent No.:** **US D703,010 S**

(45) **Date of Patent:** **** Apr. 22, 2014**

(54) **FUNNEL**

(75) Inventor: **Richard Ray Meyer**, Monticello, IA
(US)

(73) Assignee: **T&D Supplements, LLC**, Monticello,
IA (US)

(**) Term: **14 Years**

(21) Appl. No.: **29/428,249**

(22) Filed: **Jul. 27, 2012**

(51) **LOC (10) Cl.** **07-99**

(52) **U.S. Cl.**
USPC **D7/700**

(58) **Field of Classification Search**
USPC D7/700, 354, 356, 357, 361, 368, 396.2,
D7/667, 400, 409, 543, 523, 510, 512, 629,
D7/668, 669, 691, 589, 412, 415;
D30/129, 132, 162; D14/208;
D24/122; D23/200; D9/436, 434, 503,
D9/536; D10/46.2; D15/150, 152;
210/314, 456, 464, 470-478, 497.1,
210/498, 499; 141/297-300, 331-345, 95,
141/98, 199-205, 384, 386; 99/324, 325,
99/339, 416, 415, 425, 426, 345, 495, 490,
99/505-510; 220/86.2; 215/316, 321, 329,
215/43; 294/179; 100/110, 113, 116, 127,
100/213, 248

See application file for complete search history.

(56) **References Cited**

U.S. PATENT DOCUMENTS

1,733,261	A *	10/1929	Higby et al.	141/337
2,649,966	A *	8/1953	Johnston	210/86
D178,749	S *	9/1956	Bachechi	D24/122
D218,487	S *	8/1970	Flores	D15/89
5,188,156	A *	2/1993	Littlepage	141/98
D358,917	S *	5/1995	Keys	D34/2
D370,975	S *	6/1996	Mohr	D24/122
5,535,793	A *	7/1996	Tantre	141/337
D376,201	S *	12/1996	Norton	D24/122
D409,747	S *	5/1999	Aiken	D24/122
D418,918	S *	1/2000	Cunningham	D24/122
D449,105	S *	10/2001	Azo	D24/122
7,422,431	B2 *	9/2008	White et al.	433/77
7,992,602	B1 *	8/2011	Guenther	141/340
D646,531	S *	10/2011	Murphy	D7/700

* cited by examiner

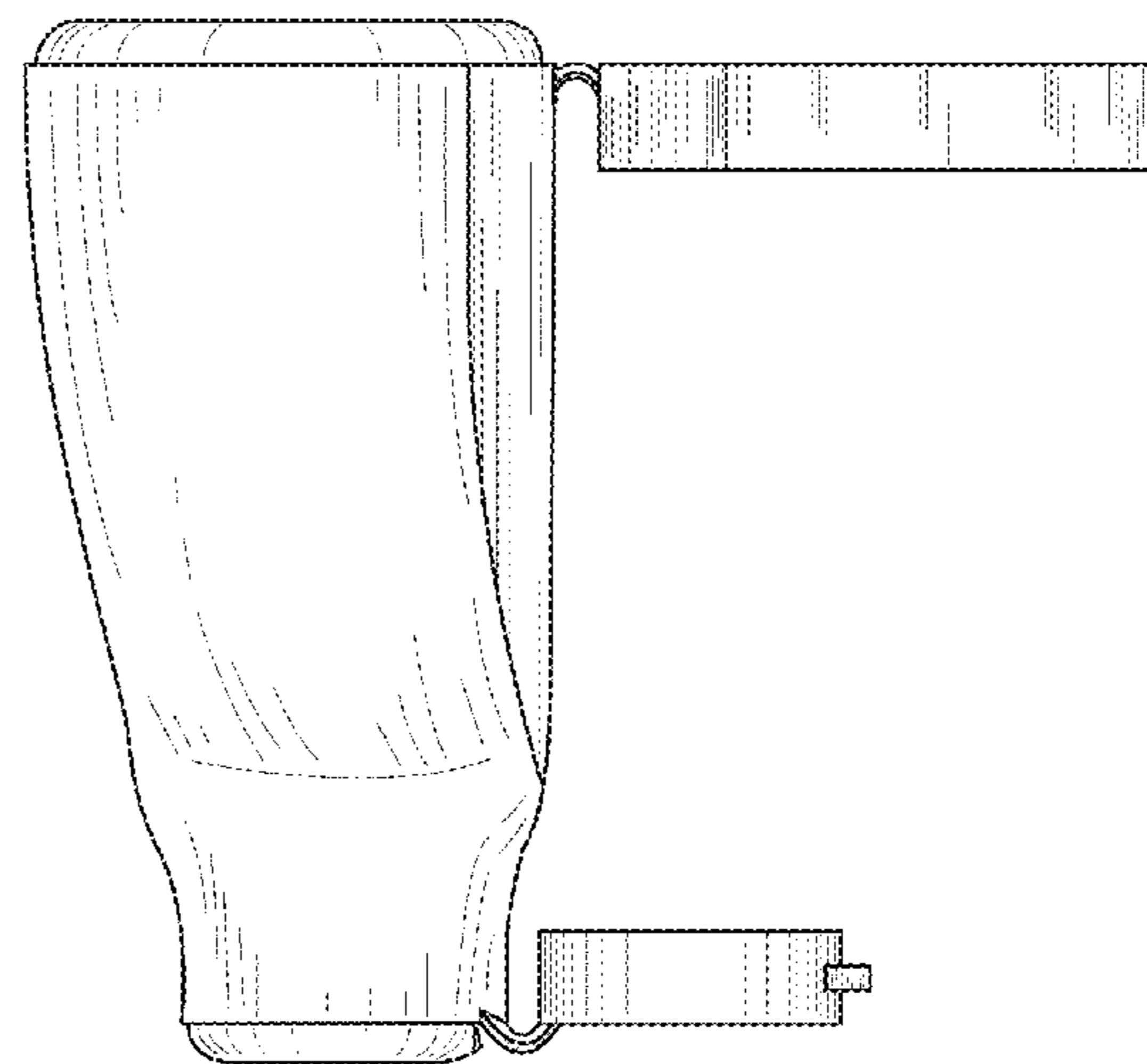
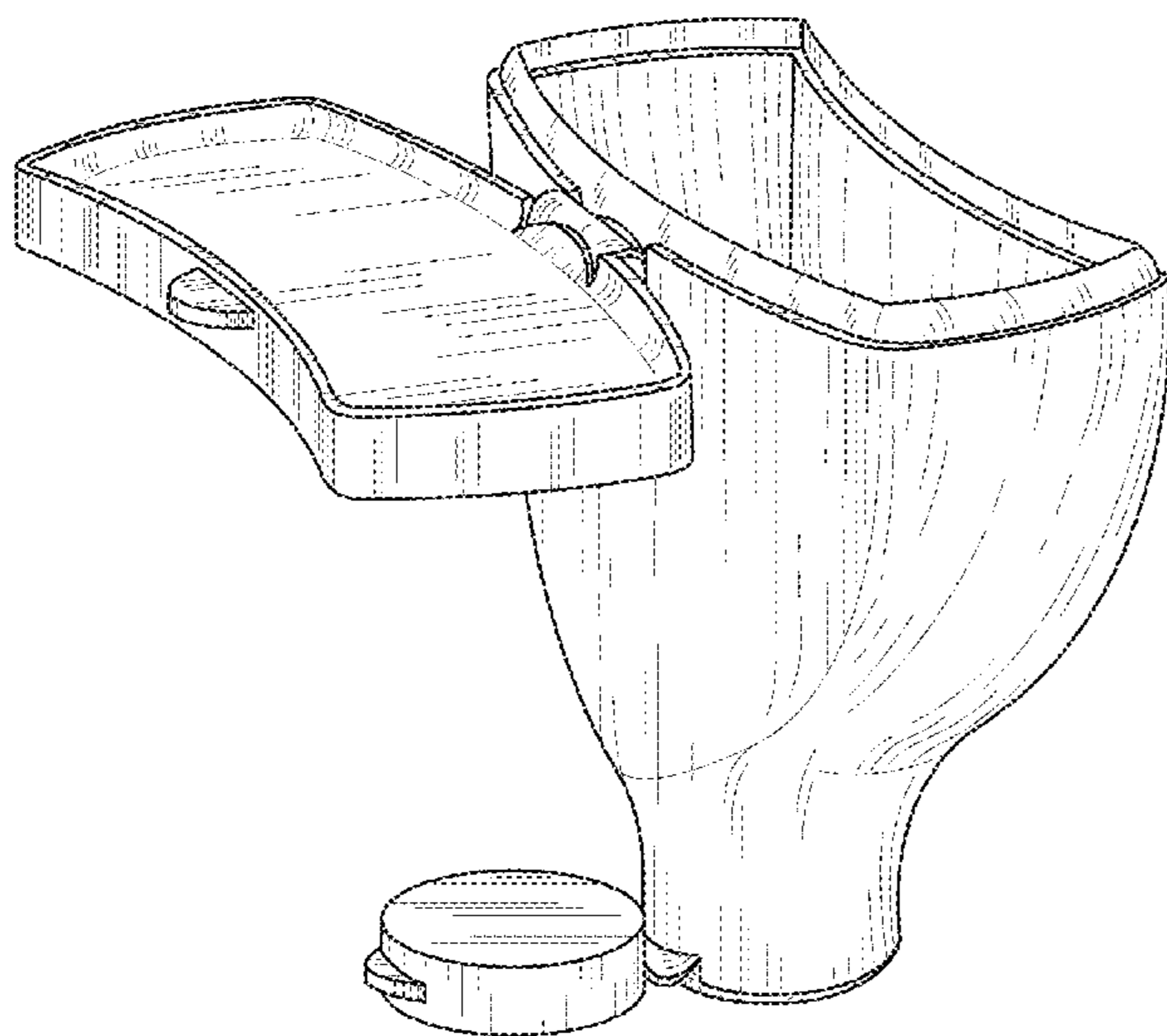
Primary Examiner — Ian Simmons
Assistant Examiner — Shannon Morgan

(57) **CLAIM**
The ornamental design for a funnel, as shown and described.

DESCRIPTION

FIG. 1 is a top, front perspective view of a funnel showing my new design;
FIG. 2 is a front elevational view thereof;
FIG. 3 is a rear elevational view thereof;
FIG. 4 is a left-side elevational view thereof;
FIG. 5 is a right-side elevational view thereof;
FIG. 6 is a top plan view thereof; and,
FIG. 7 is a bottom plan view thereof.
The broken lines in FIG. 1, FIG. 6, and FIG. 7 of the funnel are for the purpose of illustrating environmental structure, and form no part of the claimed design.

1 Claim, 7 Drawing Sheets



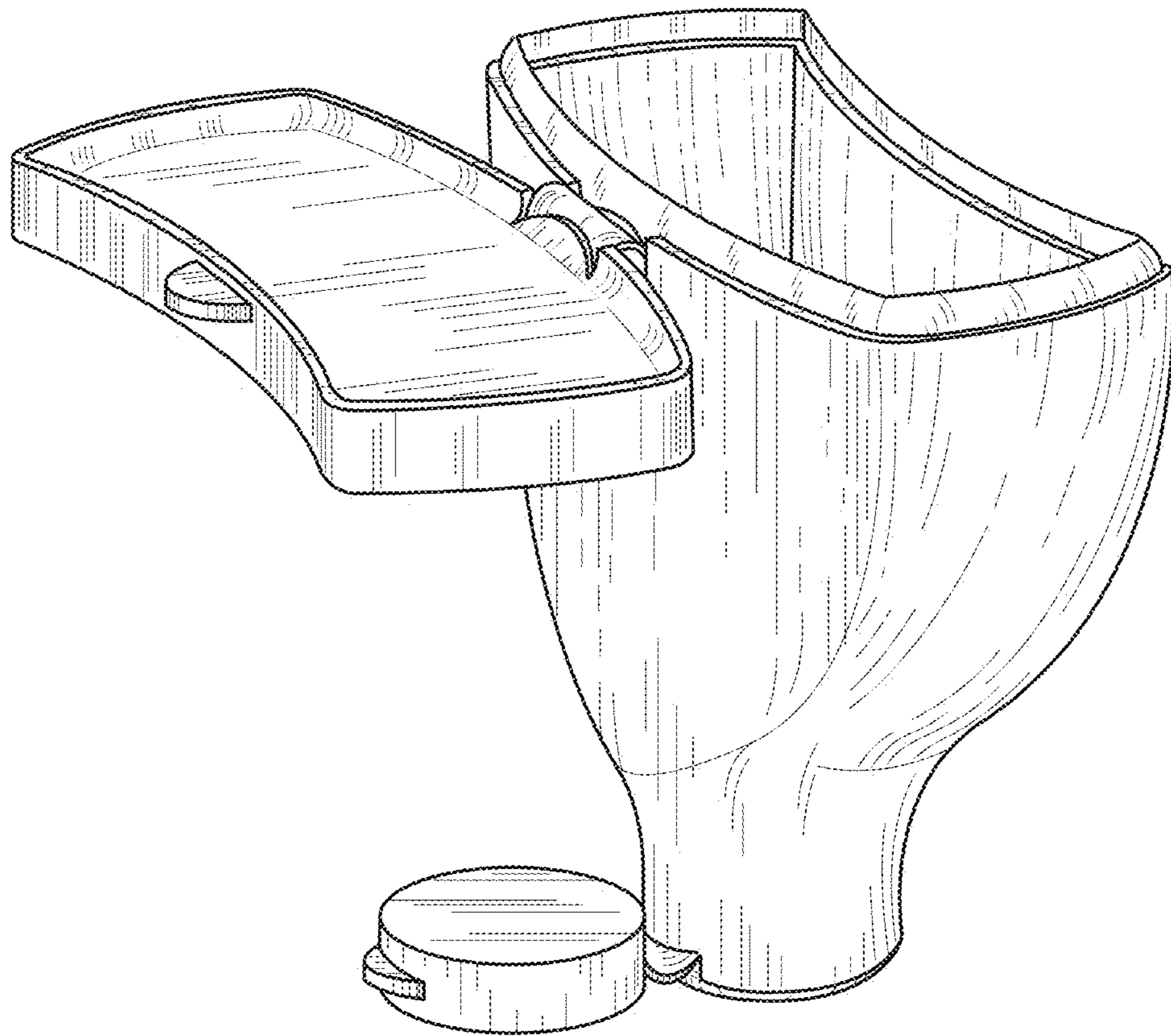


FIG. 1

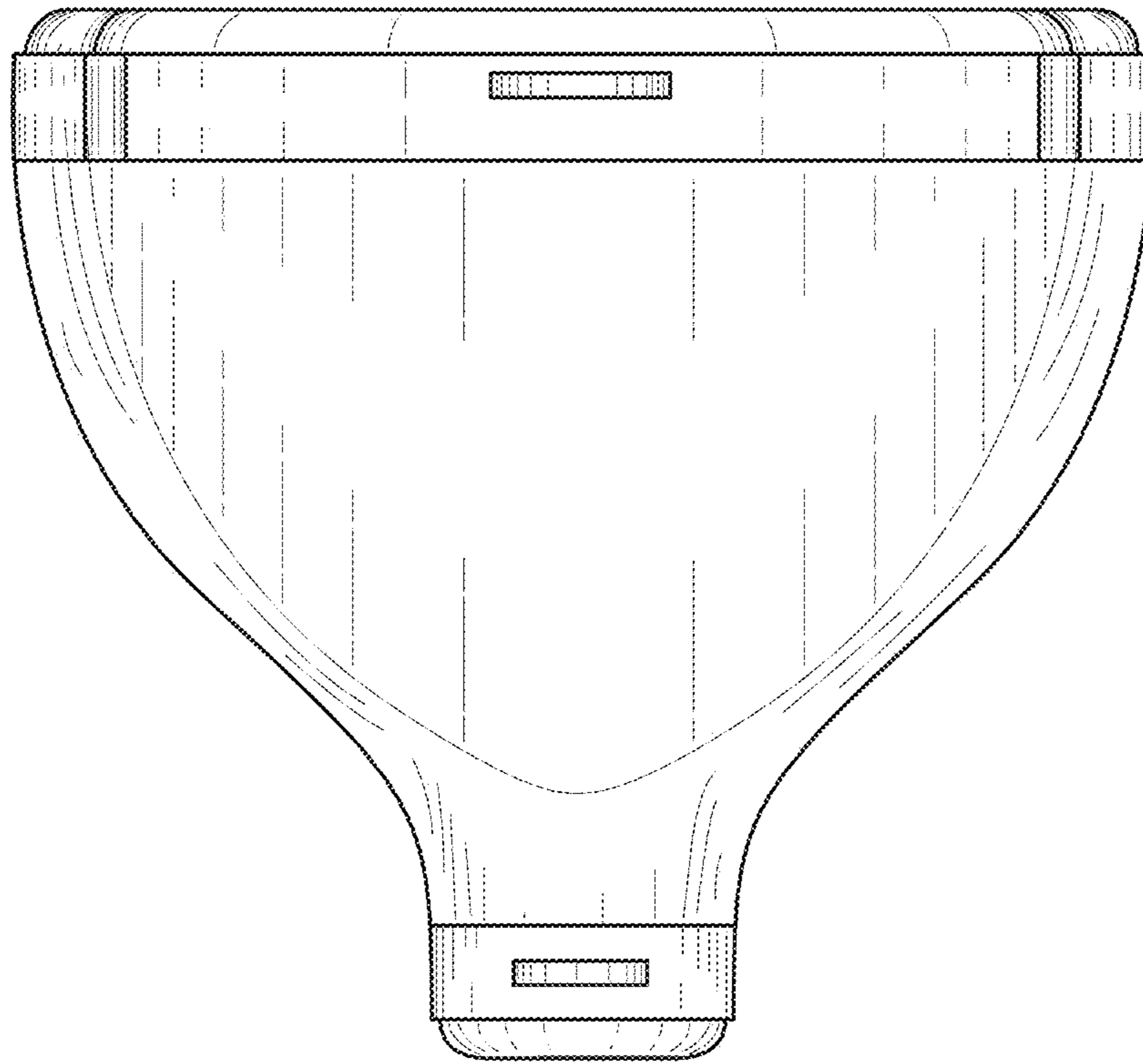


FIG. 2

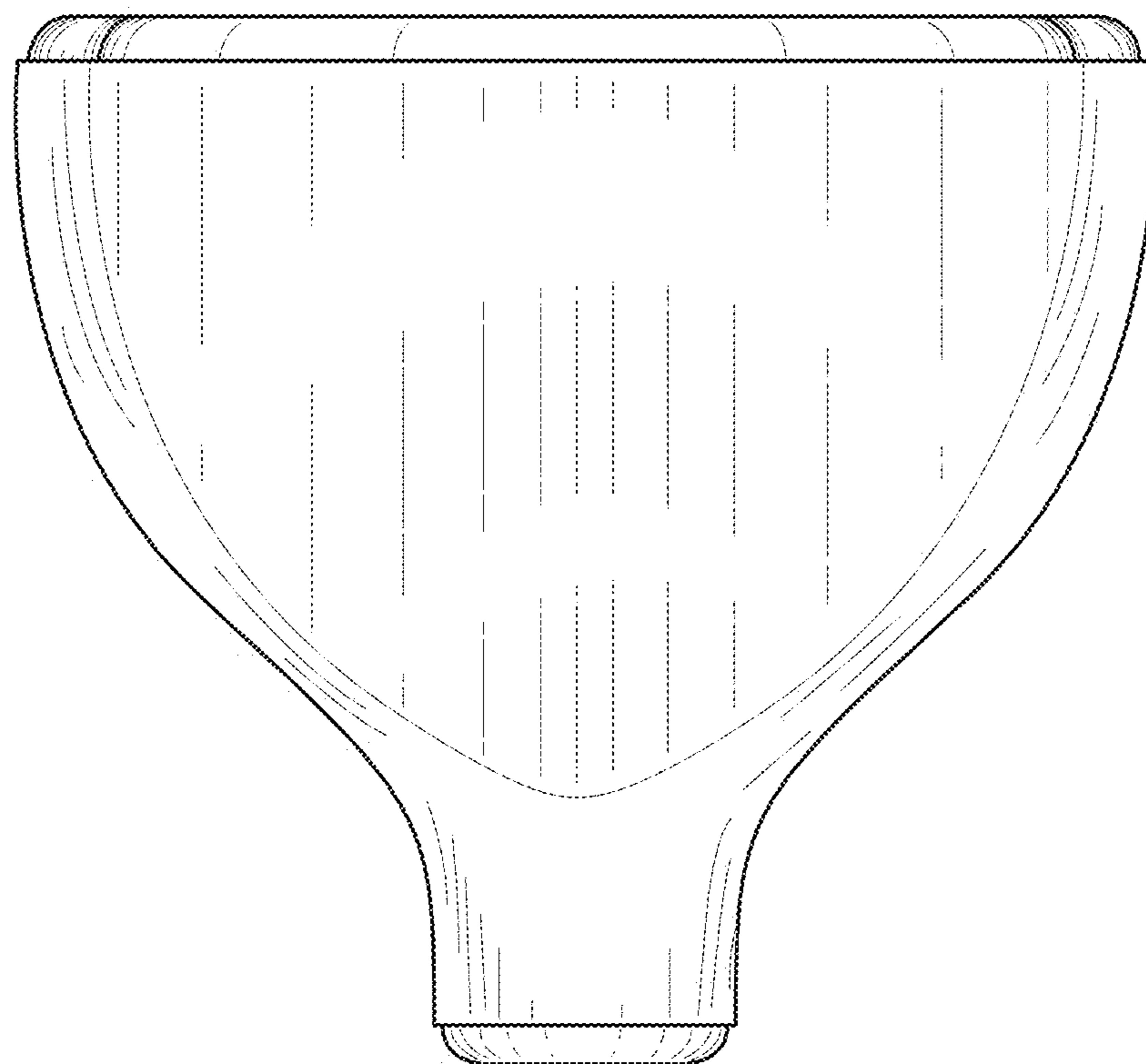


FIG. 3

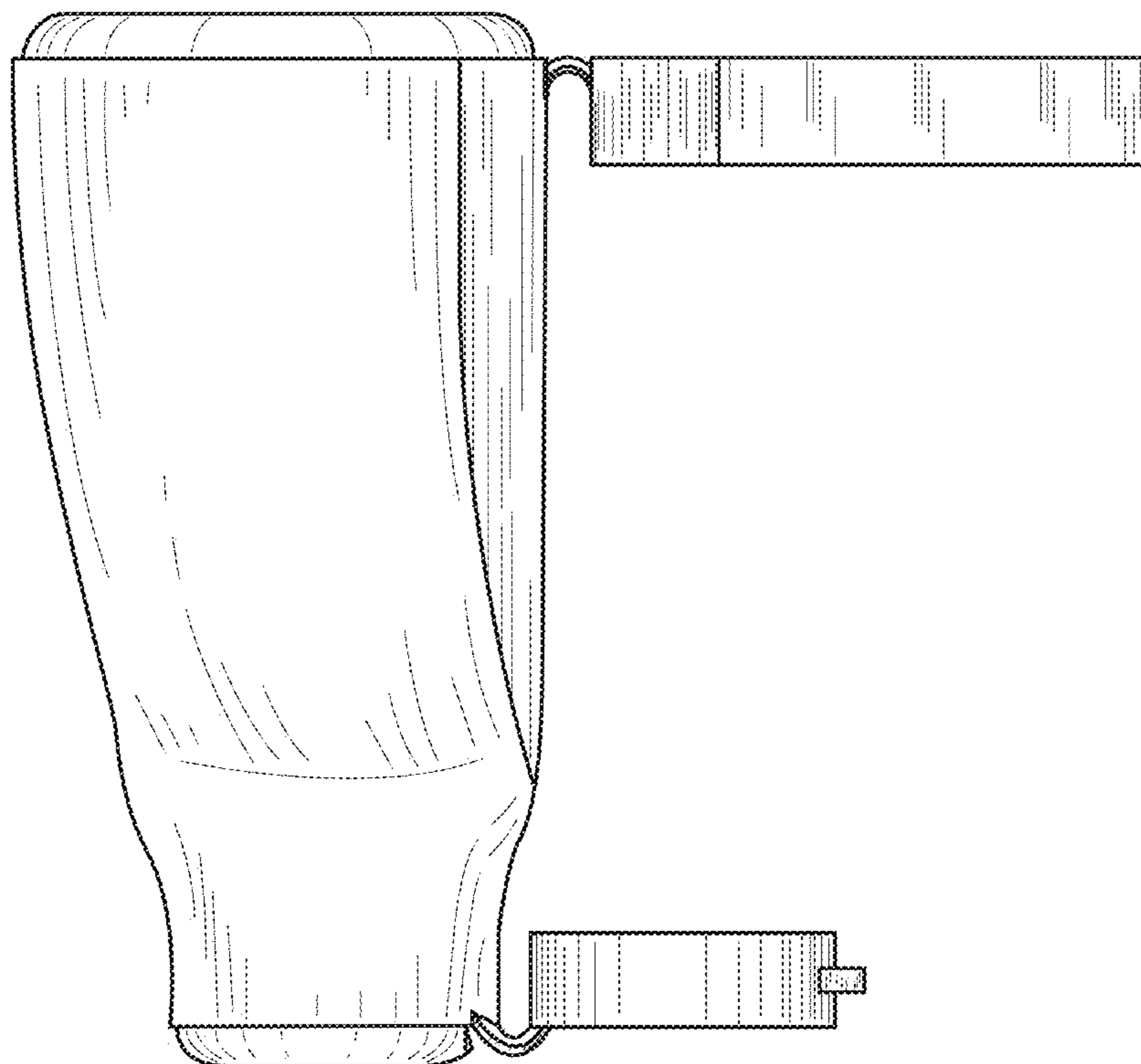


FIG. 4

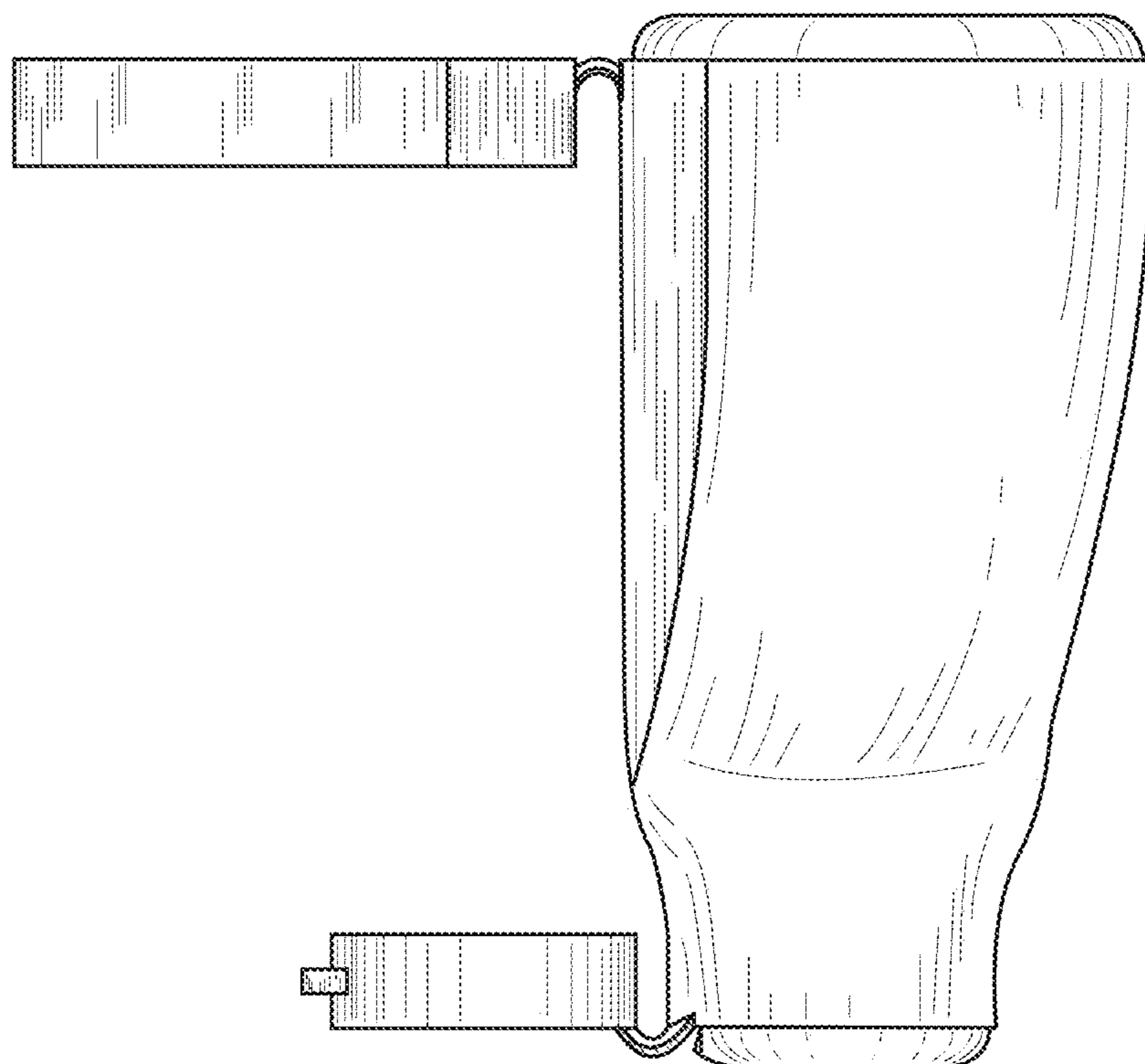


FIG. 5

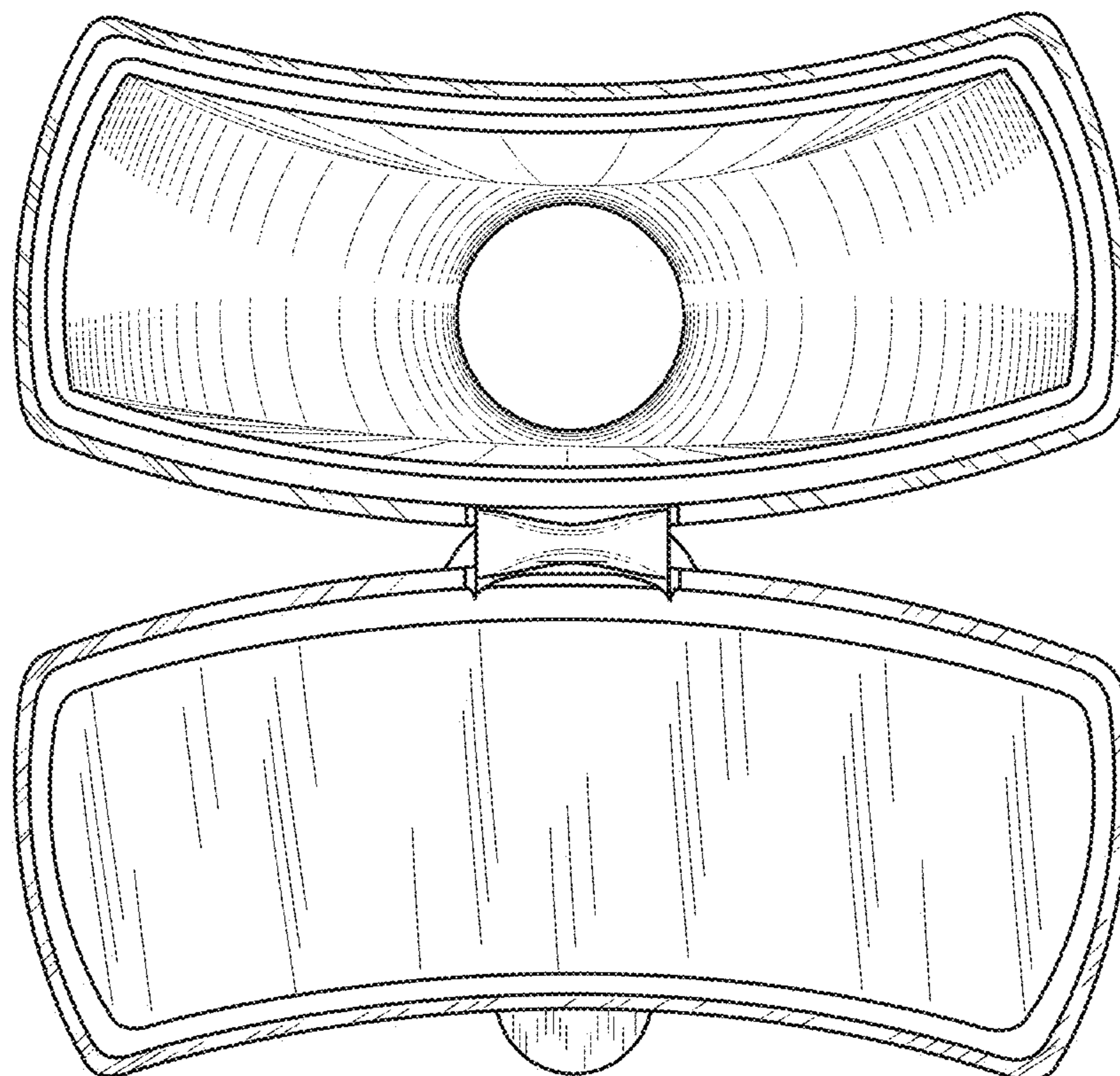


FIG. 6

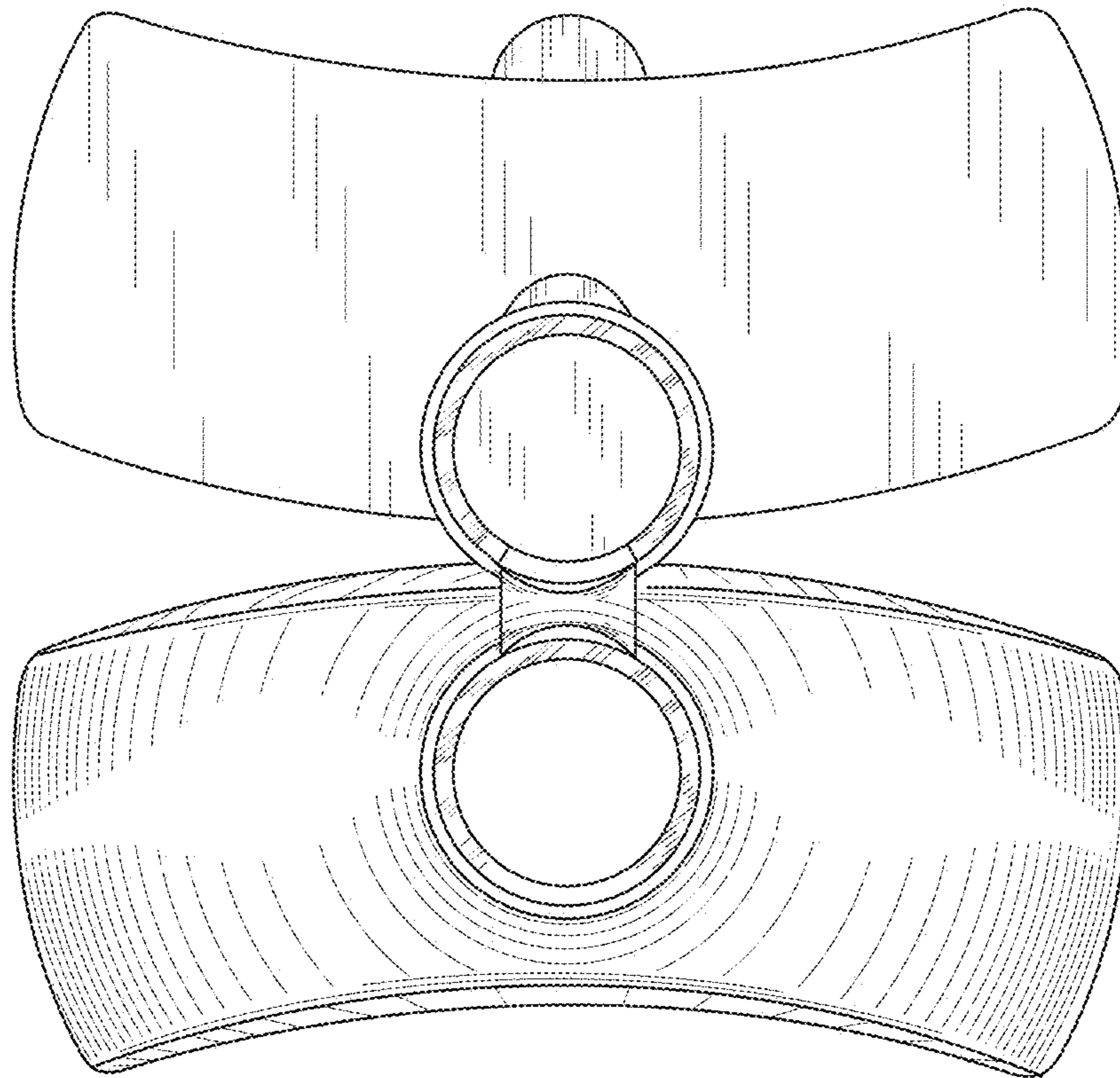


FIG. 7