



US00D703009S

(12) **United States Design Patent**  
**Wampold**

(10) **Patent No.:** **US D703,009 S**

(45) **Date of Patent:** **\*\* Apr. 22, 2014**

(54) **DRINK COOLER**

(71) Applicant: **Steve Wampold**, Marlborough, CT (US)

(72) Inventor: **Steve Wampold**, Marlborough, CT (US)

(\*\*) Term: **14 Years**

(21) Appl. No.: **29/439,517**

(22) Filed: **Dec. 12, 2012**

(51) **LOC (10) Cl.** ..... **07-01**

(52) **U.S. Cl.**

USPC ..... **D7/608**; D7/606

(58) **Field of Classification Search**

USPC ..... D7/608, 605, 601, 602, 604, 607, 612,  
D7/613, 615, 619.1-625, 630, 509, 510,  
D7/511, 514, 515, 530, 531, 536, 538, 542,  
D7/545, 709, 710, 628, 629, 300.1, 302,  
D7/313, 396.2, 507, 523, 532, 392.1;  
D3/229, 203.5, 202, 206, 205, 210,  
D3/217; 220/592.16, 592.01, 592.17,  
220/592.2, 592.21, 592.24, 592.25, 592.26,  
220/23.89, 281, 694, 737, 739, 740, 741,  
220/742, 903, 501, 504, 916, 671, 675;  
215/6, 393-395, 236, 386, 396, 397,  
215/398; 211/74, 71.01, 79, 85.18;  
248/311.2, 309.1; D24/216, 227, 230,  
D24/199; D19/75, 89; D9/428, 414;  
229/400, 406

See application file for complete search history.

(56) **References Cited**

**U.S. PATENT DOCUMENTS**

D108,220 S \* 2/1938 Shapiro ..... D7/532  
2,905,350 A \* 9/1959 Edwards ..... 215/373  
3,009,603 A \* 11/1961 Stockdale ..... 206/519  
3,190,530 A \* 6/1965 Edwards ..... 229/400  
3,471,075 A \* 10/1969 Wolf ..... 229/400  
3,850,361 A \* 11/1974 Day et al. .... 229/400

4,052,037 A \* 10/1977 Mair et al. .... 366/341  
D369,526 S \* 5/1996 Colton ..... D7/620  
D377,886 S \* 2/1997 Colton ..... D7/620  
D410,174 S \* 5/1999 Sheu ..... D7/510  
D441,252 S \* 5/2001 Gitschlag ..... D7/396.2  
D490,654 S \* 6/2004 Allen et al. .... D7/515  
D514,884 S \* 2/2006 Smith et al. .... D7/509  
D534,038 S \* 12/2006 Kramer et al. .... D7/510  
D606,808 S \* 12/2009 Germann ..... D7/510  
2009/0226588 A1 \* 9/2009 Marx ..... 426/524  
2010/0206889 A1 \* 8/2010 Canela Mercade ..... 220/592.16

**OTHER PUBLICATIONS**

13 Deals.com—Red Solo Cup Koozie!—Wayback Machine,  
[online], crawled on Feb. 18, 2012, retrieved on Apr. 17, 2013.  
Retrieved from, <URL: [http://web.archive.org/web/20120218195254/http://13deals.com/product\\_detail.php?id=22294](http://web.archive.org/web/20120218195254/http://13deals.com/product_detail.php?id=22294)>, 1 page.\*

(Continued)

*Primary Examiner* — Ian Simmons

*Assistant Examiner* — Shannon Morgan

(74) *Attorney, Agent, or Firm* — Bachman & LaPointe, P.C.

(57) **CLAIM**

The ornamental design for a drink cooler, as shown and described.

**DESCRIPTION**

FIG. 1 is a top, front perspective view of a drink cooler showing my new design thereof;

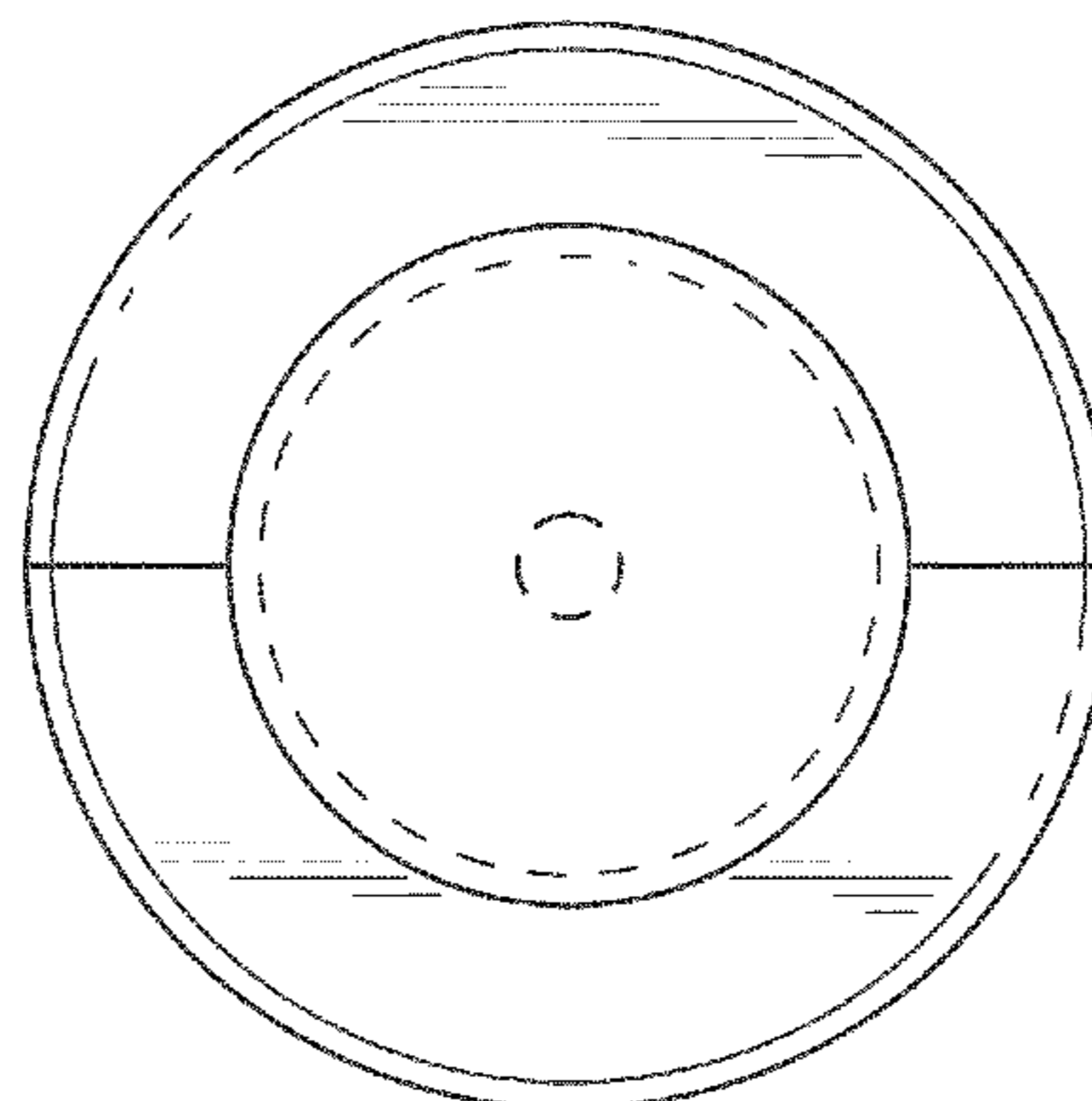
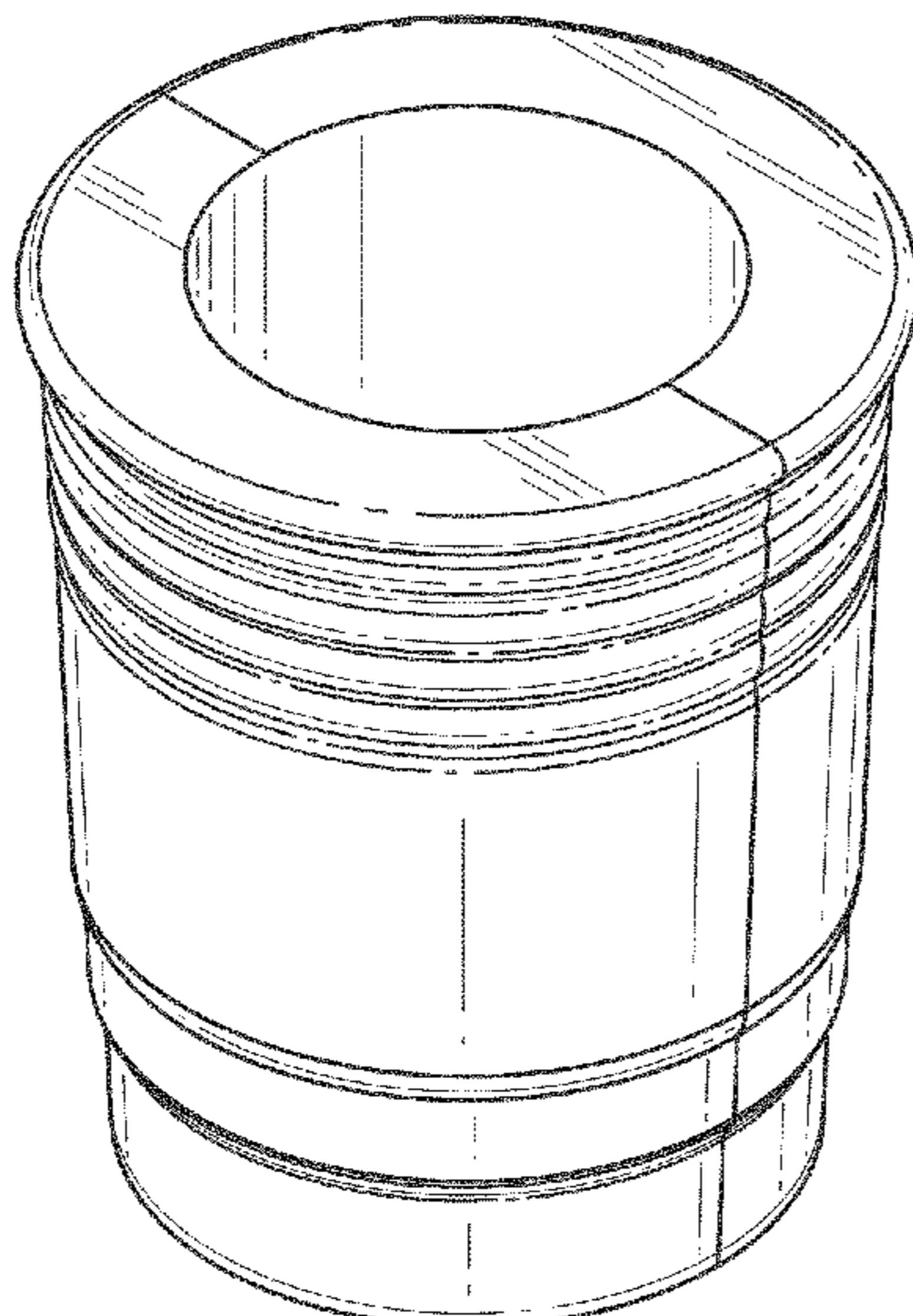
FIG. 2 is a top view of the drink cooler of FIG. 1;

FIG. 3 is a right side view of the drink cooler of FIG. 1; the left side view being an identical mirror image thereof; and,

FIG. 4 is a front view of the drink cooler of FIG. 1, the rear view being an identical mirror image thereof.

The broken lines in FIG. 2 of the drink cooler are for the purpose of illustrating environment, and form no part of the claimed design.

**1 Claim, 1 Drawing Sheet**



(56)

**References Cited**

OTHER PUBLICATIONS

Big Mouth Toys Red Cup Shots—Wayback Machine, [online], crawled on Aug. 23, 2012, retrieved on Apr. 17, 2013. Retrieved from, <URL: <http://web.archive.org/web/20120823102703/http://www.amazon.com/Big-Mouth-Toys-Red-Shots/dp/B008S2017W>>, 1 page.\*

Red solo cup maker sold for \$1 billion, [online], published on May 10, 2012, retrieved on Apr. 17, 2013. Retrieved from, <URL: <http://bizmology.hoovers.com/2012/05/10/red-solo-cup-maker-sold-for-1-billion/>>, 1 page.\*

\* cited by examiner

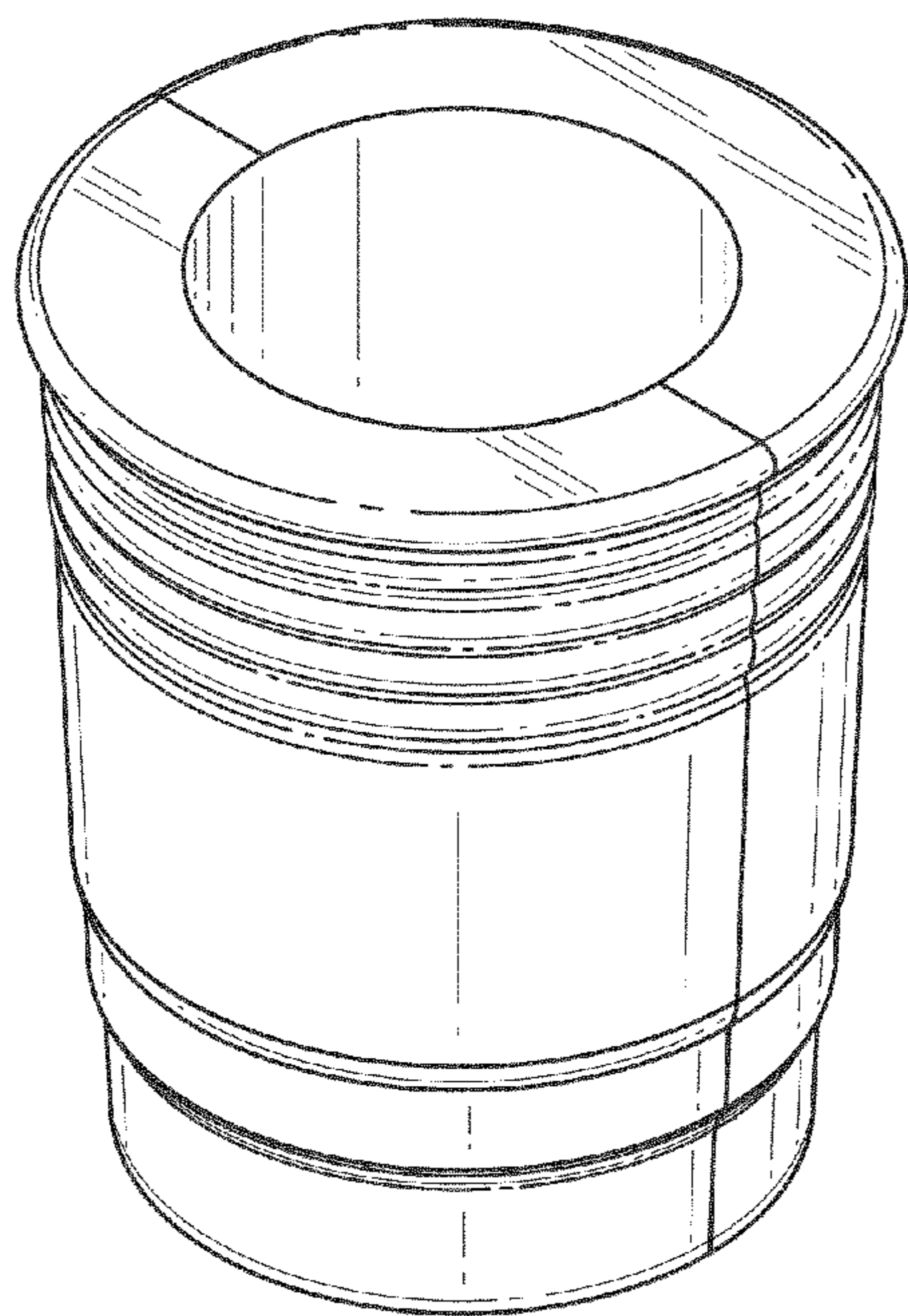


FIG. 1

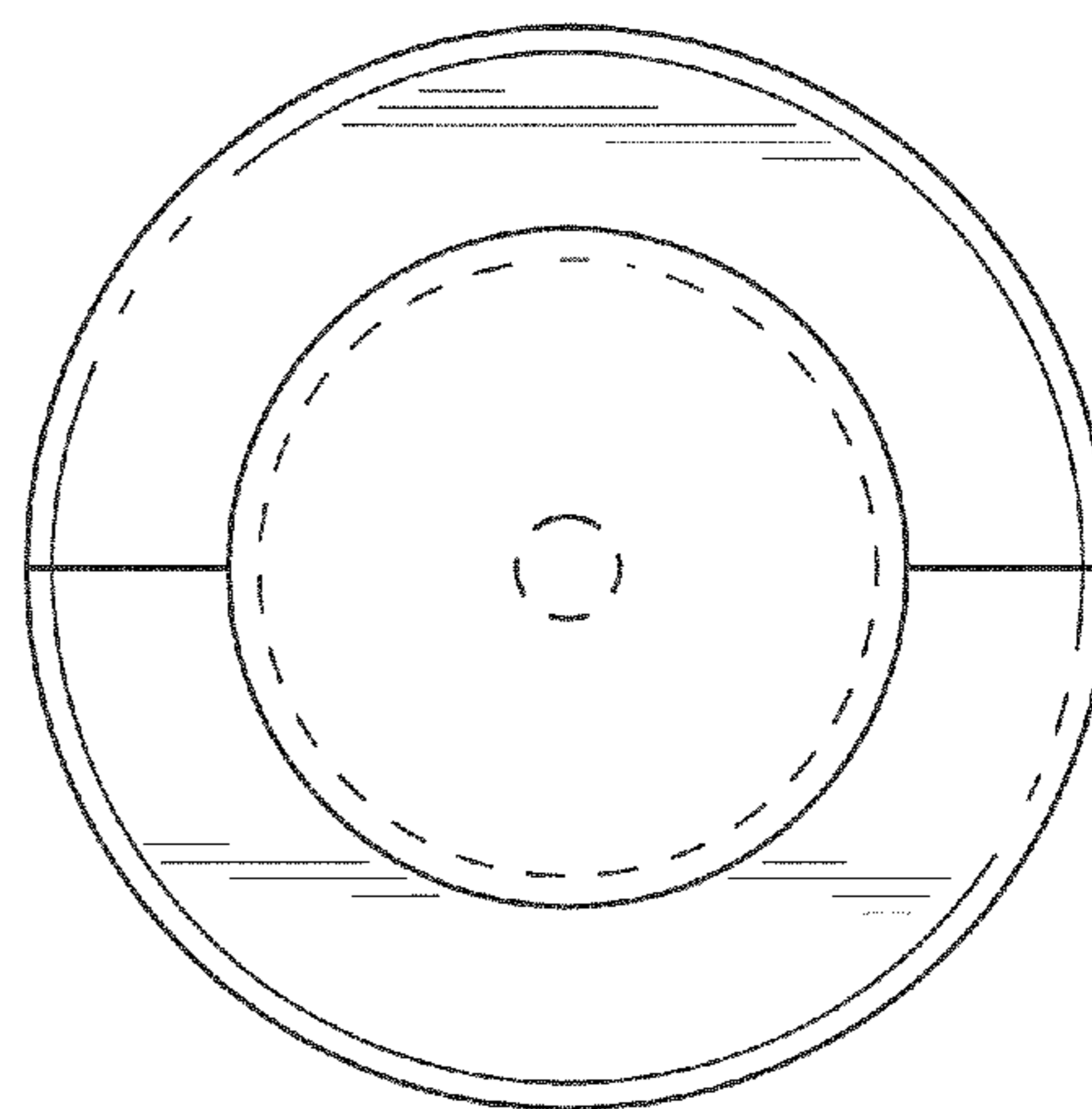


FIG. 2

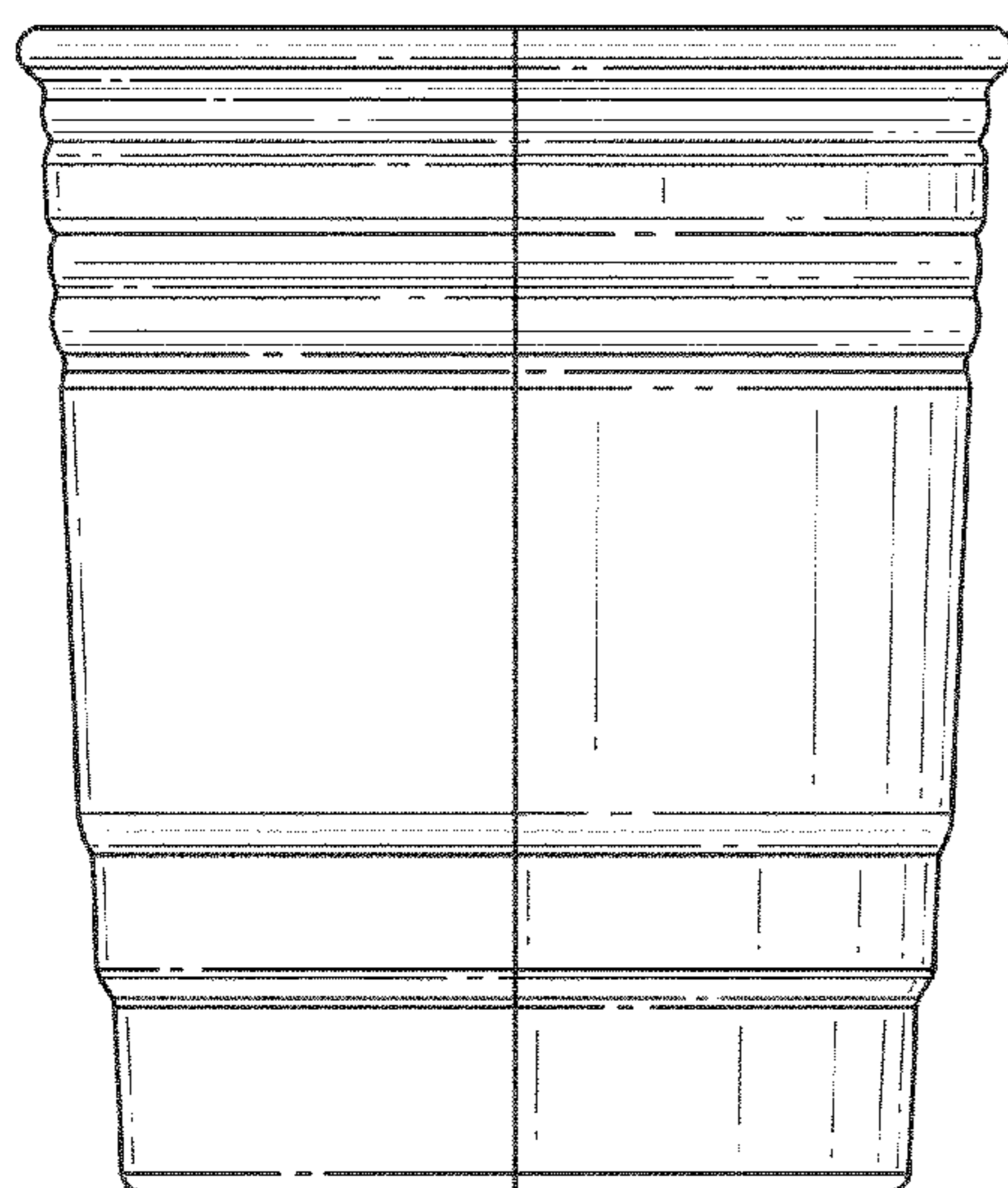


FIG. 3

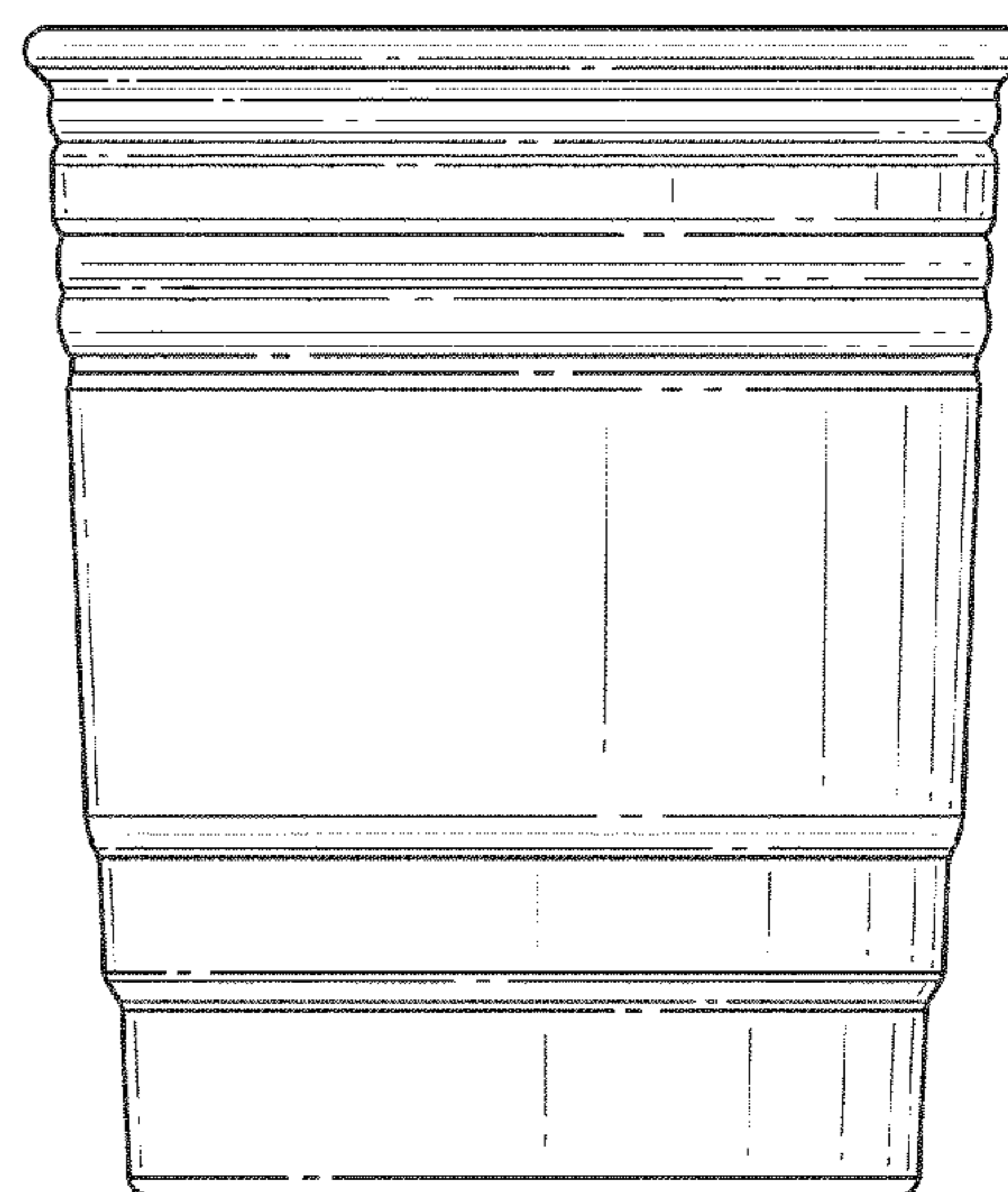


FIG. 4