



US00D703008S

(12) **United States Design Patent**
Wampold

(10) **Patent No.:** **US D703,008 S**

(45) **Date of Patent:** **** Apr. 22, 2014**

(54) **DRINK COOLER**

(71) Applicant: **Steve Wampold**, Marlborough, CT (US)

(72) Inventor: **Steve Wampold**, Marlborough, CT (US)

(**) Term: **14 Years**

(21) Appl. No.: **29/439,515**

(22) Filed: **Dec. 12, 2012**

(51) **LOC (10) Cl.** **07-01**

(52) **U.S. Cl.**

USPC **D7/608**; D7/606

(58) **Field of Classification Search**

USPC D7/608, 605, 601, 602, 604, 607, 612,
D7/613, 615, 619.1-625, 630, 509, 510,
D7/511, 538, 542, 545, 709, 710, 628, 629,
D7/300.1, 302, 313; D3/229, 203.2, 203.1,
D3/203.5, 202, 206, 205, 210, 217;
220/592.16, 592.01, 592.17, 592.2,
220/592.21, 592.24, 592.25, 592.26, 23.89,
220/281, 694, 737, 739, 740, 741, 742, 903,
220/501, 504, 916; 215/6, 393-395;
211/74; 248/311.2, 309.1; 206/530,
206/536, 539

See application file for complete search history.

(56) **References Cited**

U.S. PATENT DOCUMENTS

4,163,374	A *	8/1979	Moore et al.	62/457.4
5,123,558	A *	6/1992	Moloney	220/212
D333,066	S *	2/1993	Kimpson	D7/509
D455,052	S *	4/2002	Gullickson et al.	D7/619.1
D459,157	S *	6/2002	Manning	D7/608
D474,172	S *	5/2003	Jacobson	D14/207
D474,944	S *	5/2003	Cronk et al.	D7/620
D559,629	S *	1/2008	Gifford, Jr.	D7/608
D632,133	S *	2/2011	Giraud et al.	D7/510

D661,198	S *	6/2012	Duecker et al.	D9/556
2002/0027142	A1 *	3/2002	Klein	220/737
2002/0093189	A1 *	7/2002	Krupa	283/81
2003/0230586	A1 *	12/2003	Murakami	220/592.17
2010/0206766	A1 *	8/2010	Warman	206/538
2012/0257478	A1 *	10/2012	Marcellino	368/10

OTHER PUBLICATIONS

Google Image Result for Pill Bottle Prescription Koozie, [online], photo uploaded Nov. 6, 2012, retrieved on Apr. 15, 2013. Retrieved from, <URL: <http://www.google.com/imgres?q=prescription+pill+bottle+koozie&um=1&safe=active&rls=com.microsoft:en-us:IE-SearchBox&hl=en&biw=1600&bih=939&tbn=isch&tbnid=jzmMpbKmlwlnOM:&imgrefurl=htt...>>, 1 page.*

* cited by examiner

Primary Examiner — Ian Simmons

Assistant Examiner — Shannon Morgan

(74) *Attorney, Agent, or Firm* — Bachman & LaPointe, P.C.

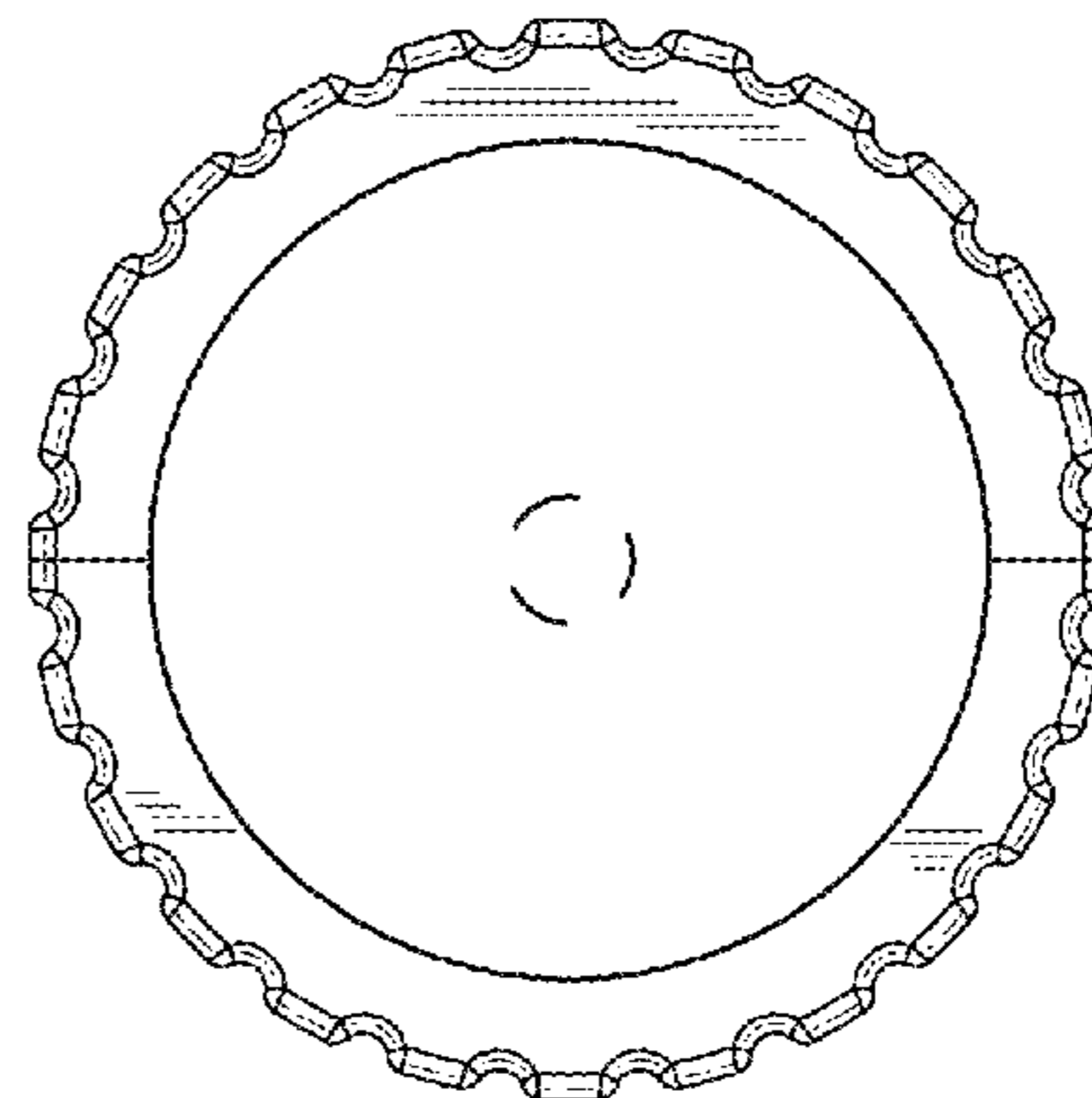
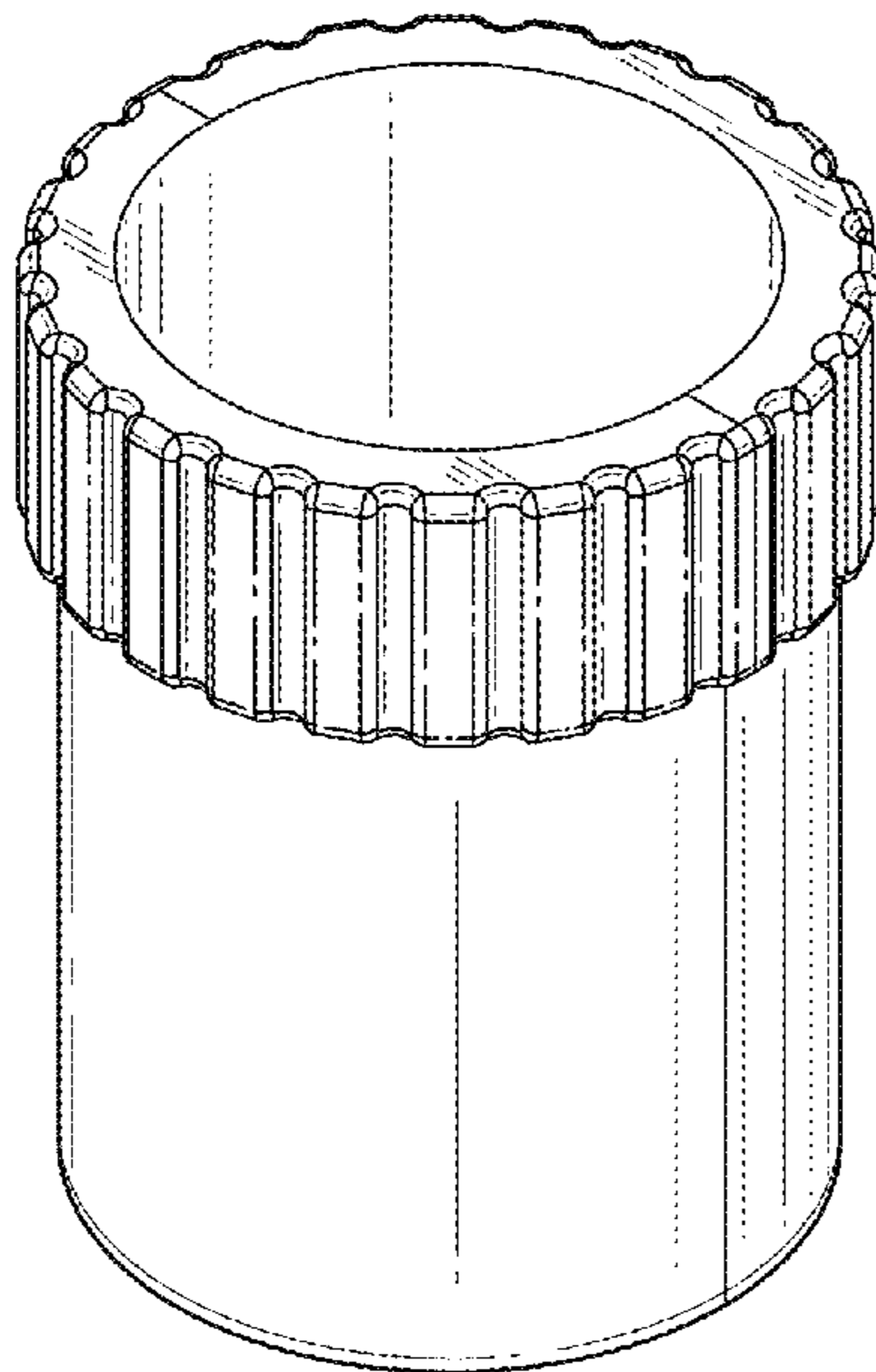
(57) **CLAIM**

The ornamental design for a drink cooler, as shown and described.

DESCRIPTION

FIG. 1 is a top, front perspective view of a drink cooler showing my new design thereof; FIG. 2 is a front view of the drink cooler of FIG. 1, the rear view being an identical mirror image thereof; FIG. 3 is a right side view of the drink cooler of FIG. 1; the left side view being an identical mirror image thereof; FIG. 4 is a top view of the drink cooler of FIG. 1; and, FIG. 5 is a bottom view of the drink cooler of FIG. 1. The broken lines in FIG. 4 of the drink cooler are for the purpose of illustrating environment, and form no part of the claimed design.

1 Claim, 2 Drawing Sheets



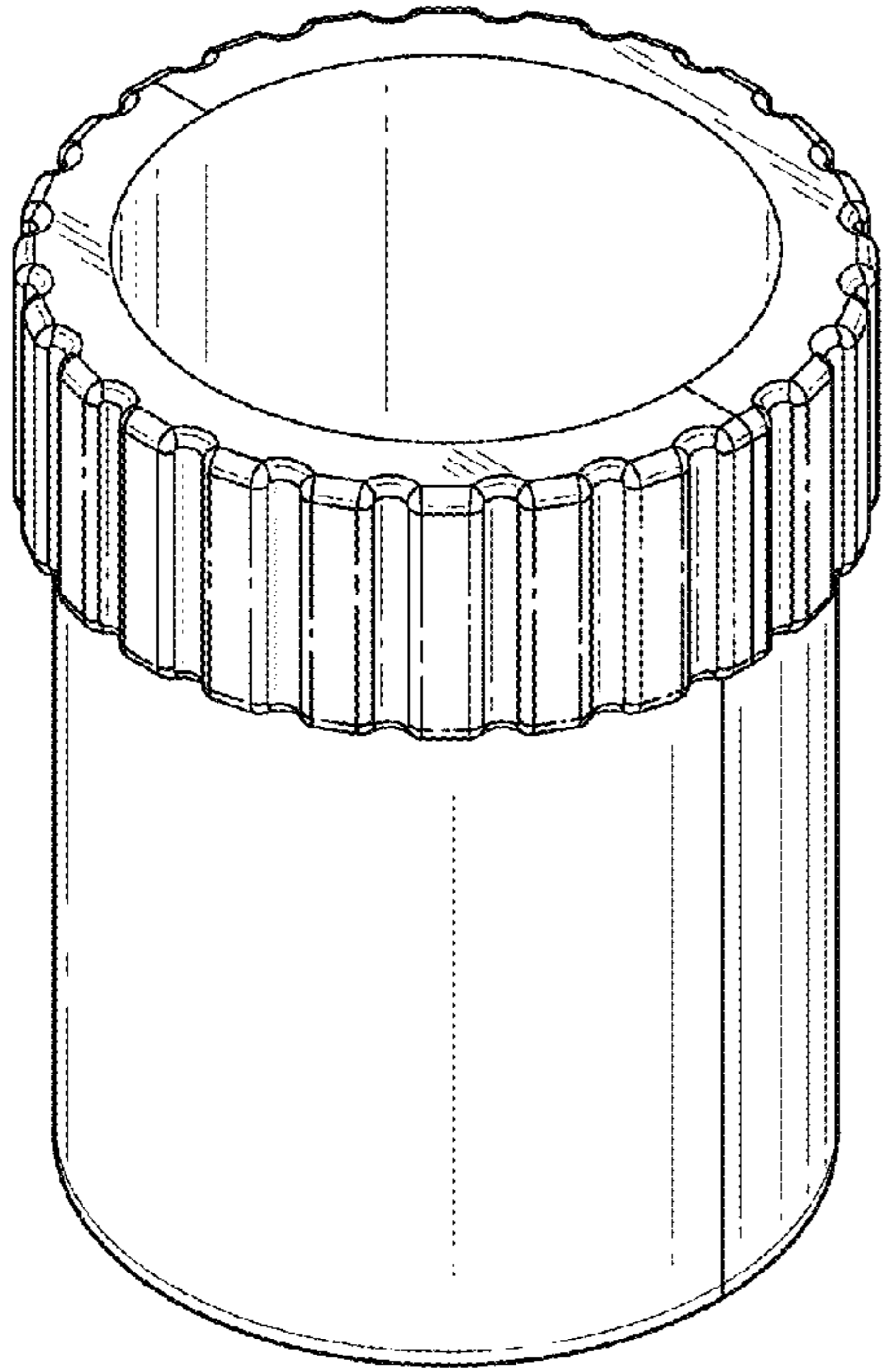


FIG. 1

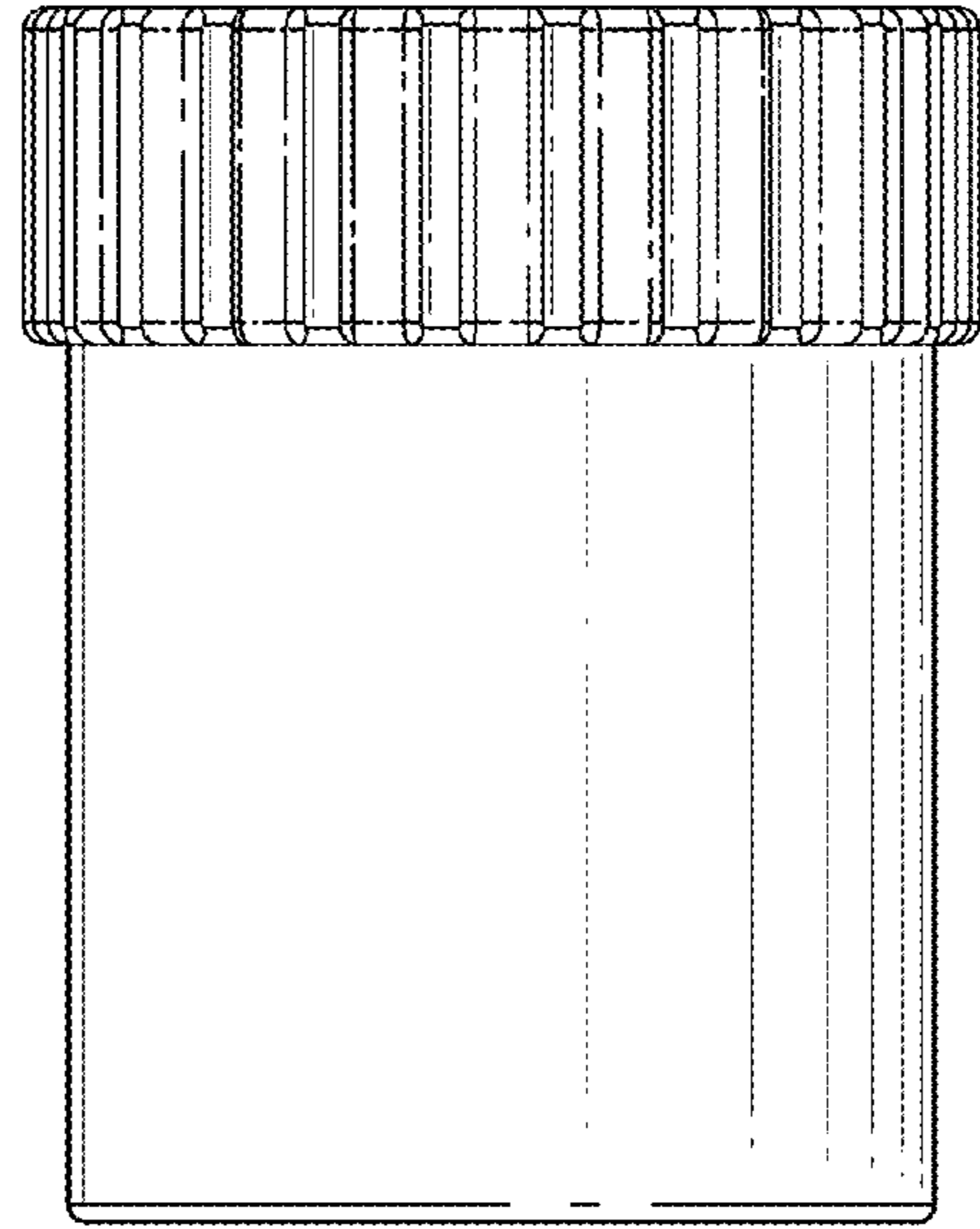


FIG. 2

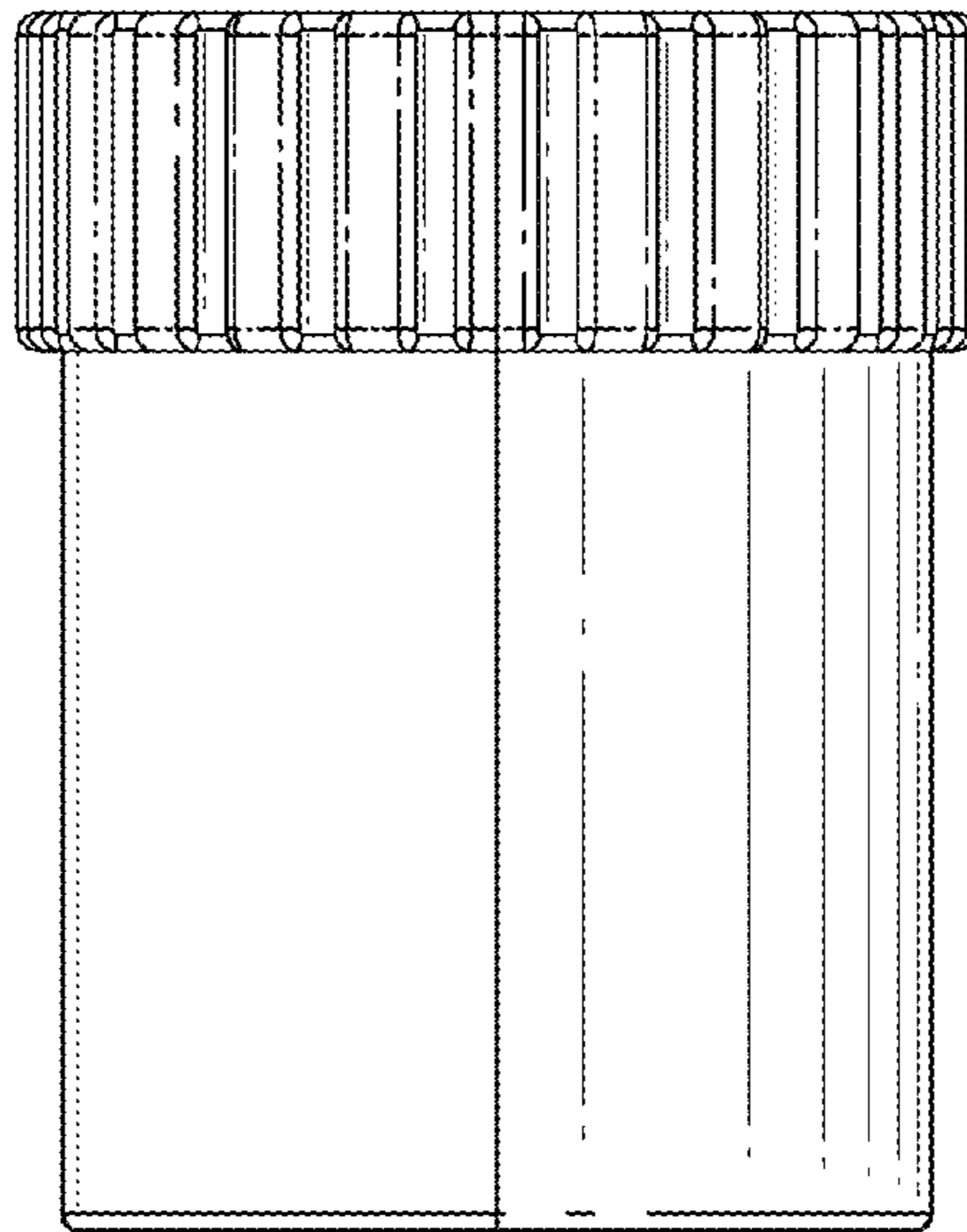


FIG. 3

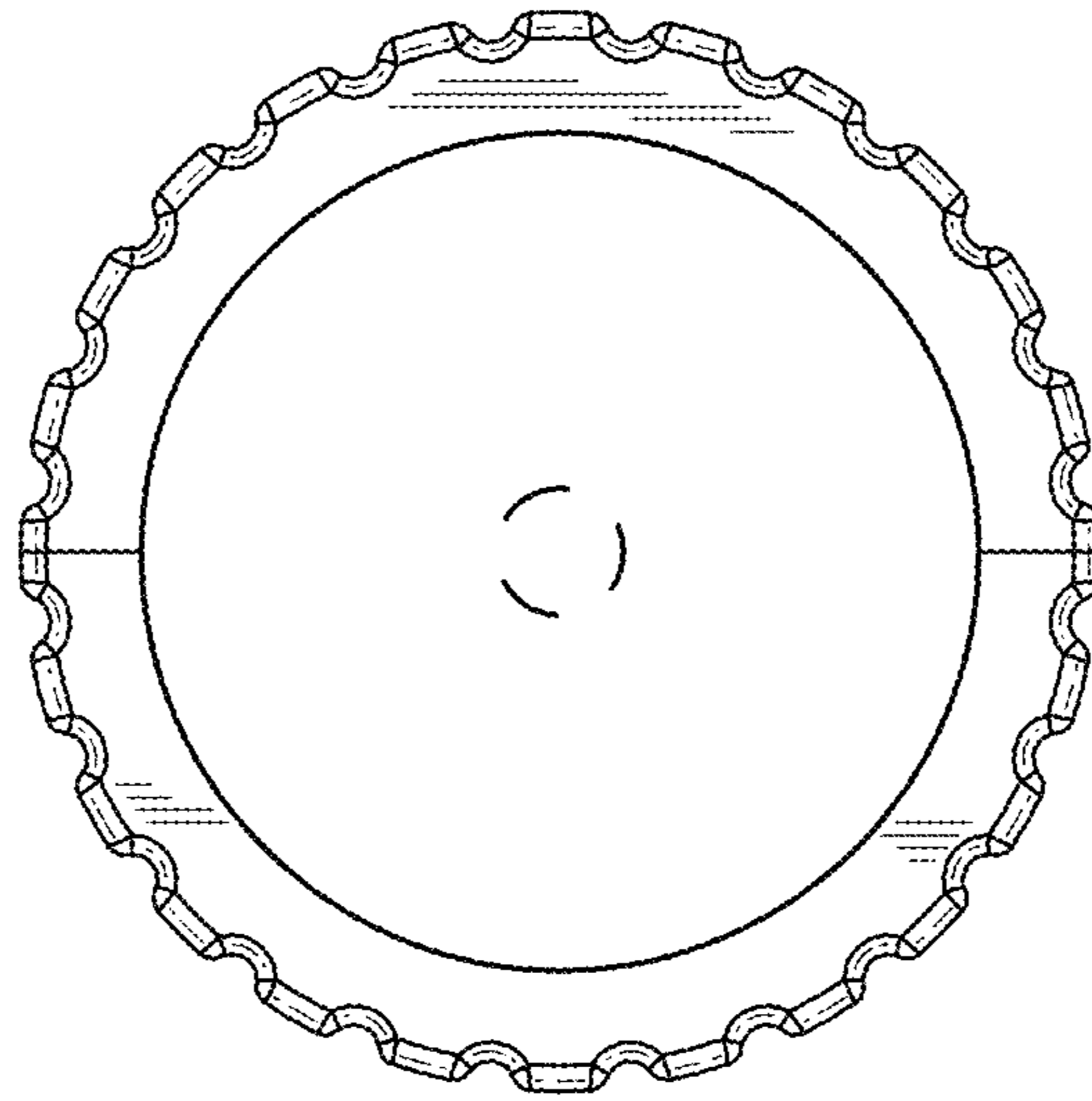


FIG. 4

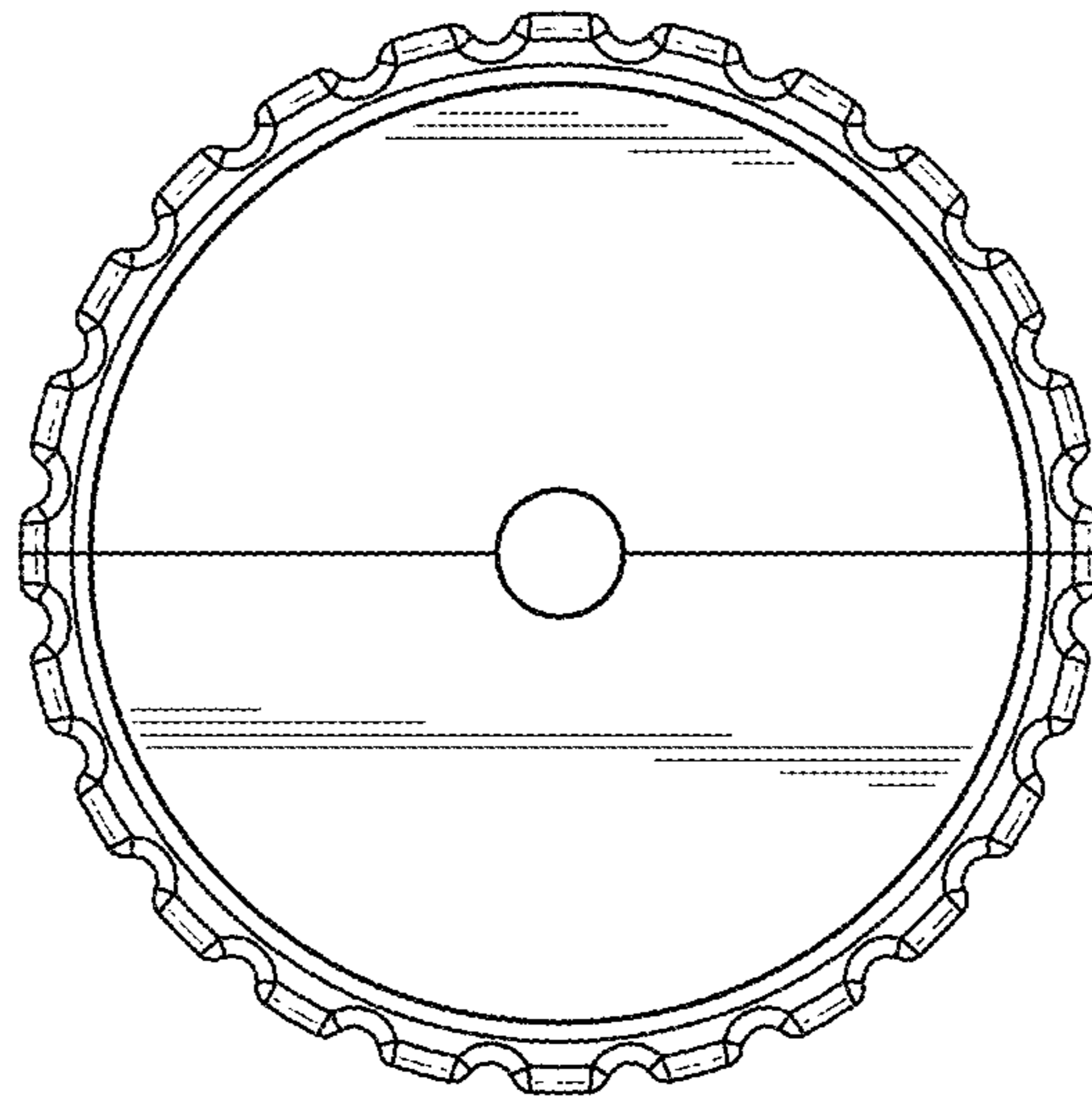


FIG. 5