



US00D703007S

(12) **United States Design Patent**
McCarthy

(10) **Patent No.:** **US D703,007 S**
(45) **Date of Patent:** **** Apr. 22, 2014**

(54) **COOLER DEVICE FOR PERSONAL WATERCRAFTS**

(71) Applicant: **Anthony E. McCarthy**, Bayville, NJ (US)

(72) Inventor: **Anthony E. McCarthy**, Bayville, NJ (US)

(**) Term: **14 Years**

(21) Appl. No.: **29/444,070**

(22) Filed: **Jan. 25, 2013**

Related U.S. Application Data

(63) Continuation-in-part of application No. 12/544,905, filed on Aug. 20, 2009, now abandoned.

(51) **LOC (10) Cl.** **07-01**

(52) **U.S. Cl.**
USPC **D7/605**

(58) **Field of Classification Search**
USPC D7/602-608, 628, 629, 710, 612, 613, D7/614, 701, 703, 705, 619.1, 300, 305; 220/592.01, 592.03, 592.09, 592.16, 220/592.2, 915.1, 915.2, 592.12, 592.18; 62/457.1-457.8, 371, 372, 386, 392, 62/393, 396, 389, 399, 99, 338, 306, 177, 62/400; D12/317; 114/343, 364, 920; 222/608, 146.6, 131, 398, 399, 94, 222/129, 48, 114

See application file for complete search history.

(56) **References Cited**

U.S. PATENT DOCUMENTS

4,068,779 A * 1/1978 Canfield 220/754
4,103,510 A * 8/1978 Hall 62/299
D267,444 S * 1/1983 Ruxton D12/419
4,528,925 A 7/1985 Pyburn
4,603,558 A * 8/1986 McAdams 62/272
4,756,455 A 7/1988 Kitner et al.

4,759,190 A * 7/1988 Trachtenberg et al. 62/3.62
4,805,859 A 2/1989 Hudson
4,909,176 A 3/1990 Kobayashi
D312,573 S * 12/1990 Poirier D7/605
5,050,526 A 9/1991 Nelson et al.
5,076,191 A 12/1991 Madore
5,095,843 A 3/1992 Kobayashi
D334,094 S 3/1993 Braid
5,402,744 A 4/1995 Matamoros
5,405,012 A * 4/1995 Shindler et al. 206/569
D372,360 S * 8/1996 Burns et al. D3/273
5,781,853 A * 7/1998 Johnson 455/351
6,101,966 A 8/2000 Cumisky
6,367,403 B1 4/2002 Carter
6,467,779 B1 10/2002 Mills
6,880,480 B2 * 4/2005 Clouse 114/343
7,389,608 B1 6/2008 MacKay
7,571,915 B1 * 8/2009 Simmons 280/47.26

(Continued)

Primary Examiner — Ian Simmons

Assistant Examiner — Shannon Morgan

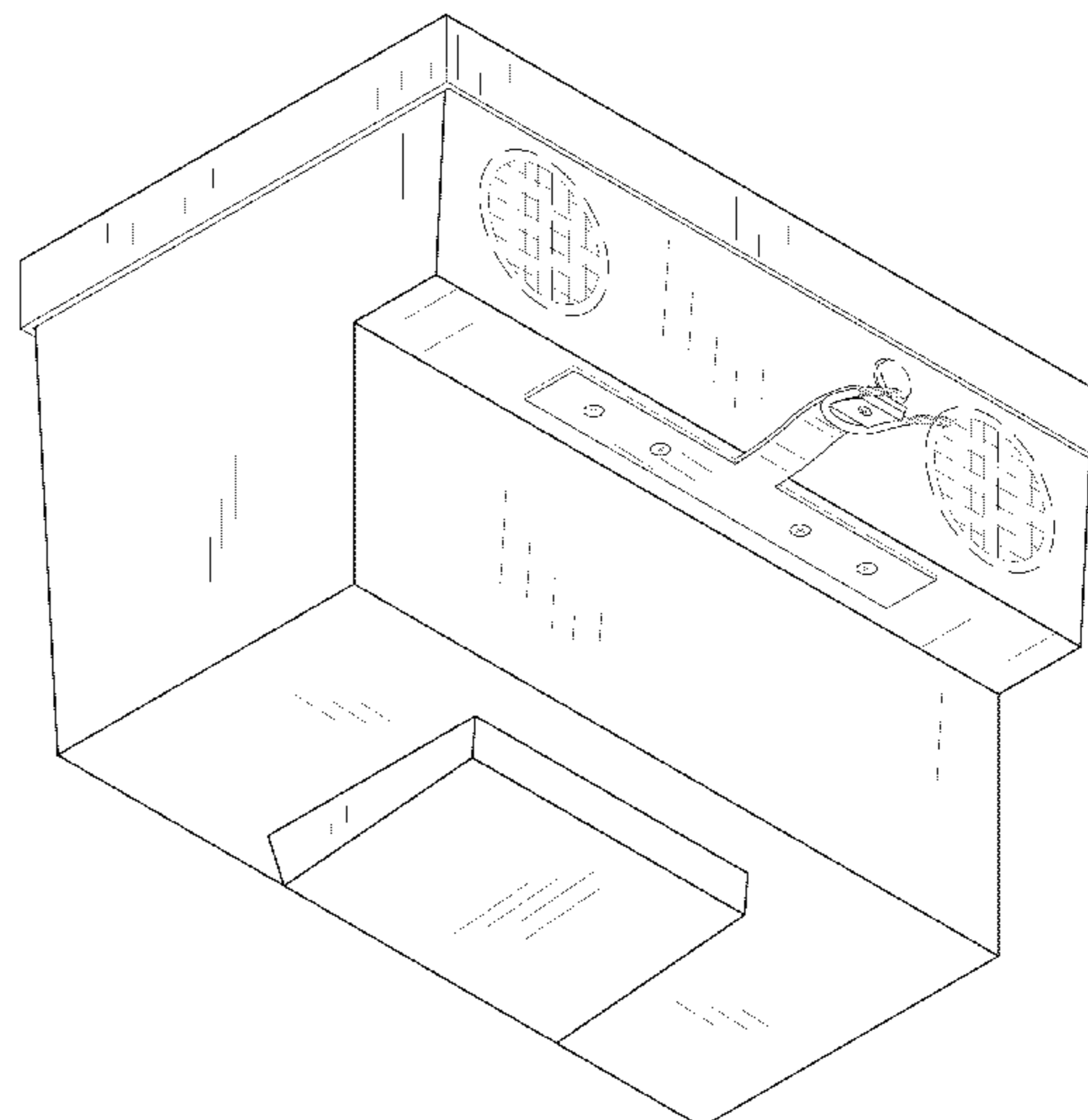
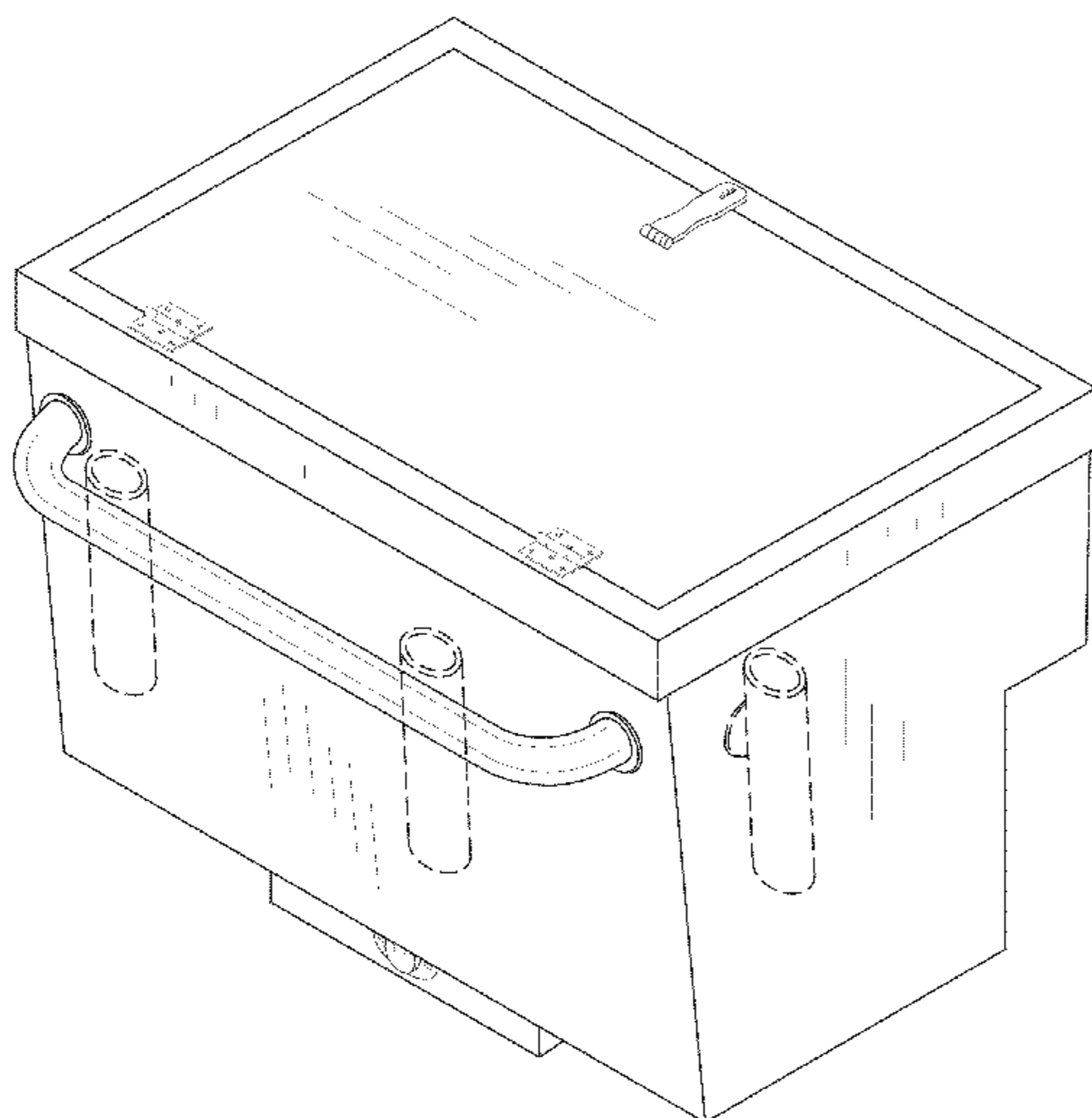
(57) **CLAIM**

The ornamental design for a cooler device for personal watercrafts, as shown and described.

DESCRIPTION

FIG. 1 is a top, front perspective view of a cooler device for personal watercrafts showing my new design;
FIG. 2 is a front elevational view thereof;
FIG. 3 is a rear elevational view thereof;
FIG. 4 is a left side elevational view thereof; the right side elevational view being an identical mirror image thereof;
FIG. 5 is a top plan view thereof;
FIG. 6 is a bottom plan view thereof;
FIG. 7 is a bottom, rear perspective view thereof; and,
FIG. 8 is a right side elevational view thereof.
The broken lines in FIGS. 1, 7, and 8 showing environmental structure of the cooler device for personal watercrafts are for the purpose of illustrating environment, and form no part of the claimed design.

1 Claim, 8 Drawing Sheets



US D703,007 S

Page 2

(56)

References Cited

U.S. PATENT DOCUMENTS

			2007/0252353	A1	11/2007	Sokol et al.	
			2008/0031483	A1	2/2008	Hill	
			2010/0212344	A1*	8/2010	Mattucci	62/264
	D693,183	S *	11/2013			Lyles et al.	D7/605
	2007/0204786	A1	9/2007			Boehler	
	2007/0216154	A1	9/2007			Casagrande	

* cited by examiner

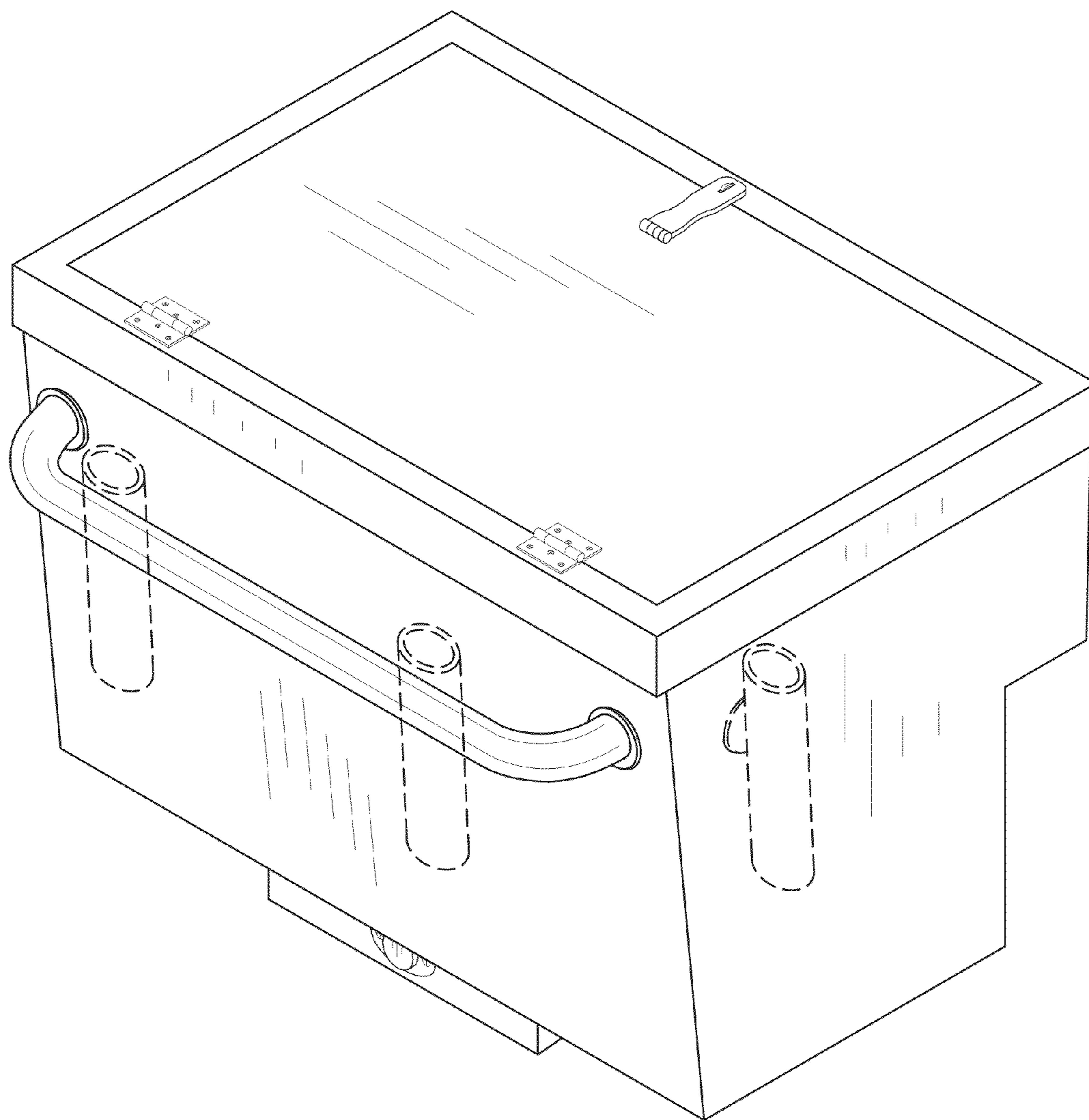


FIG. 1

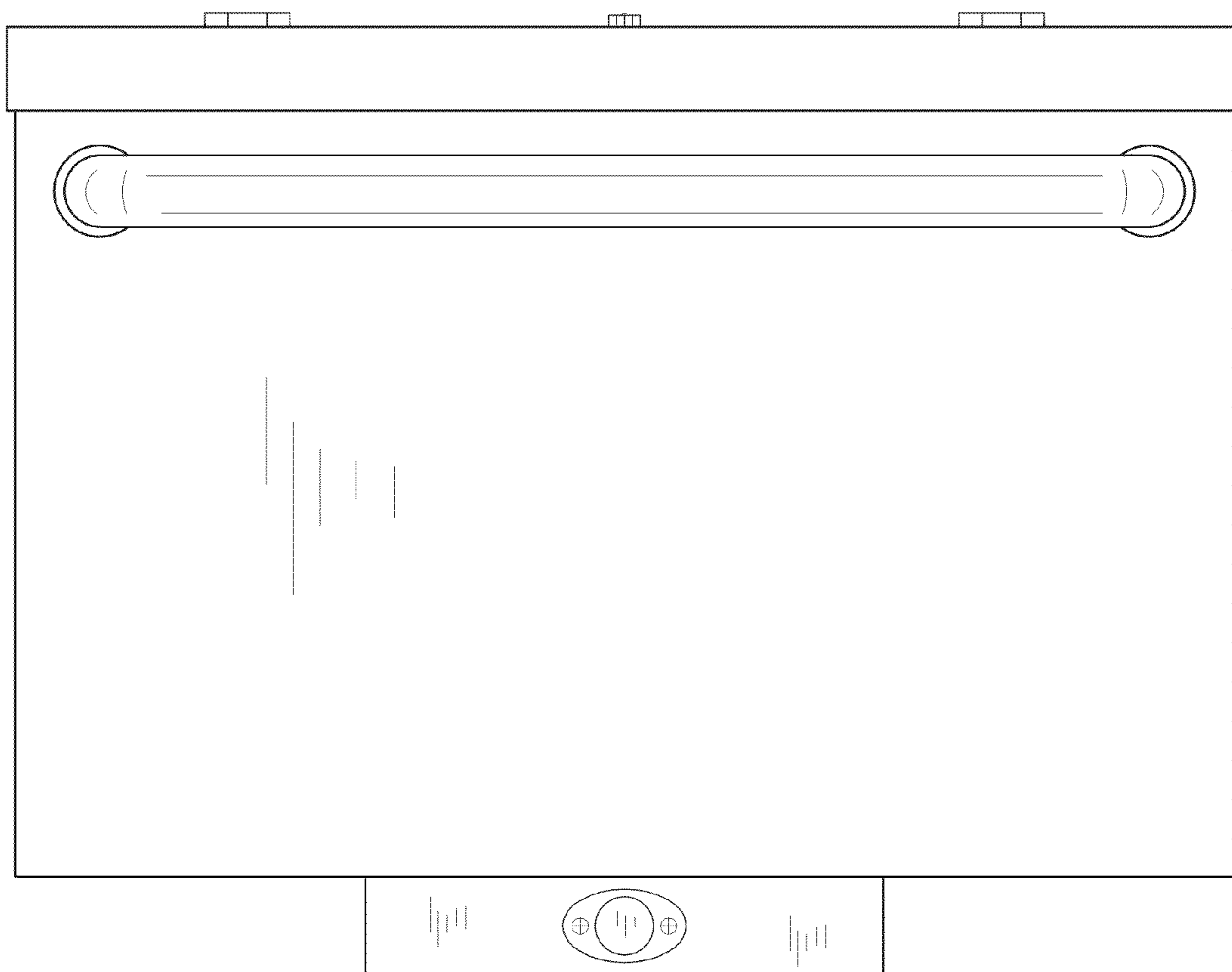


FIG. 2

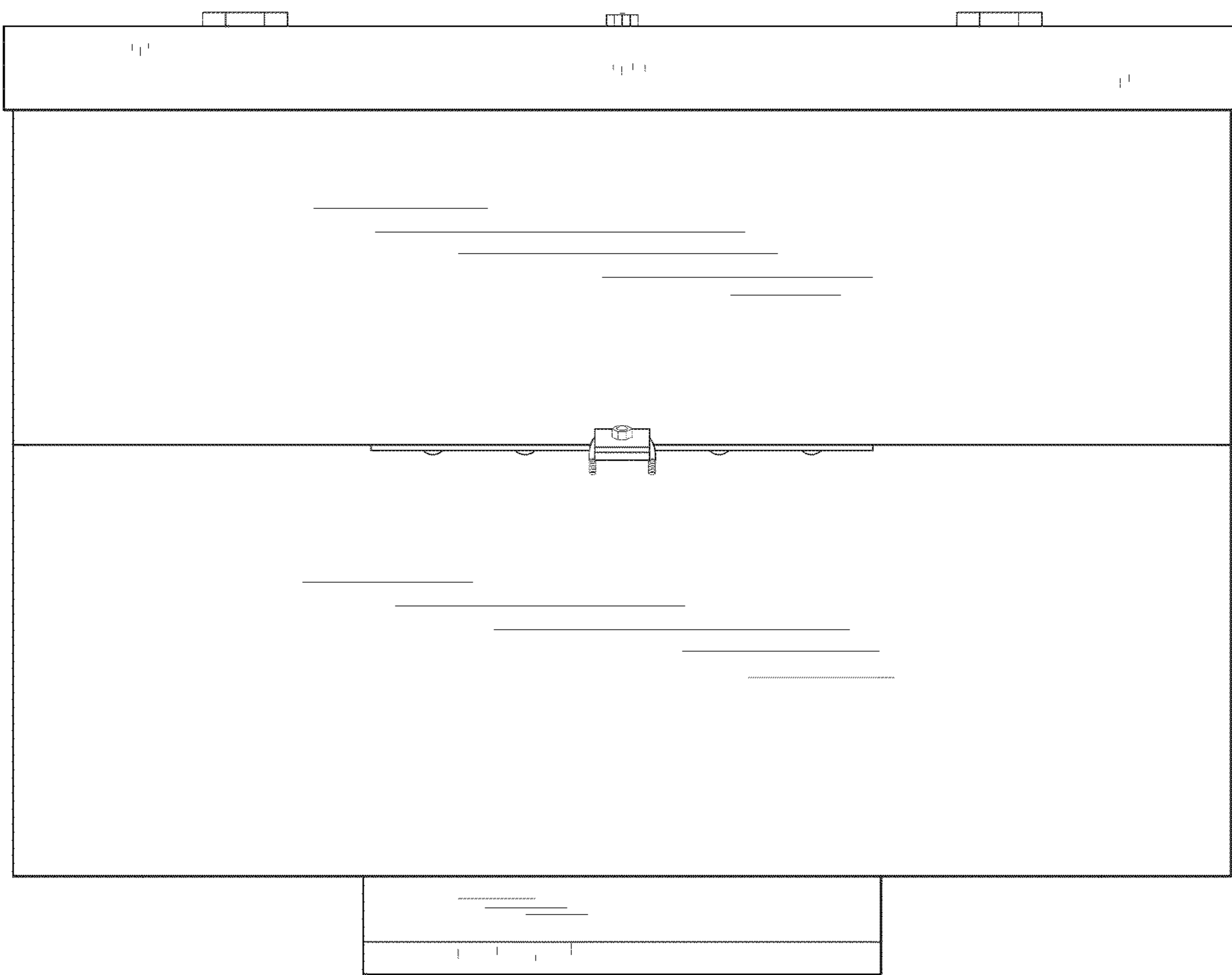


FIG. 3

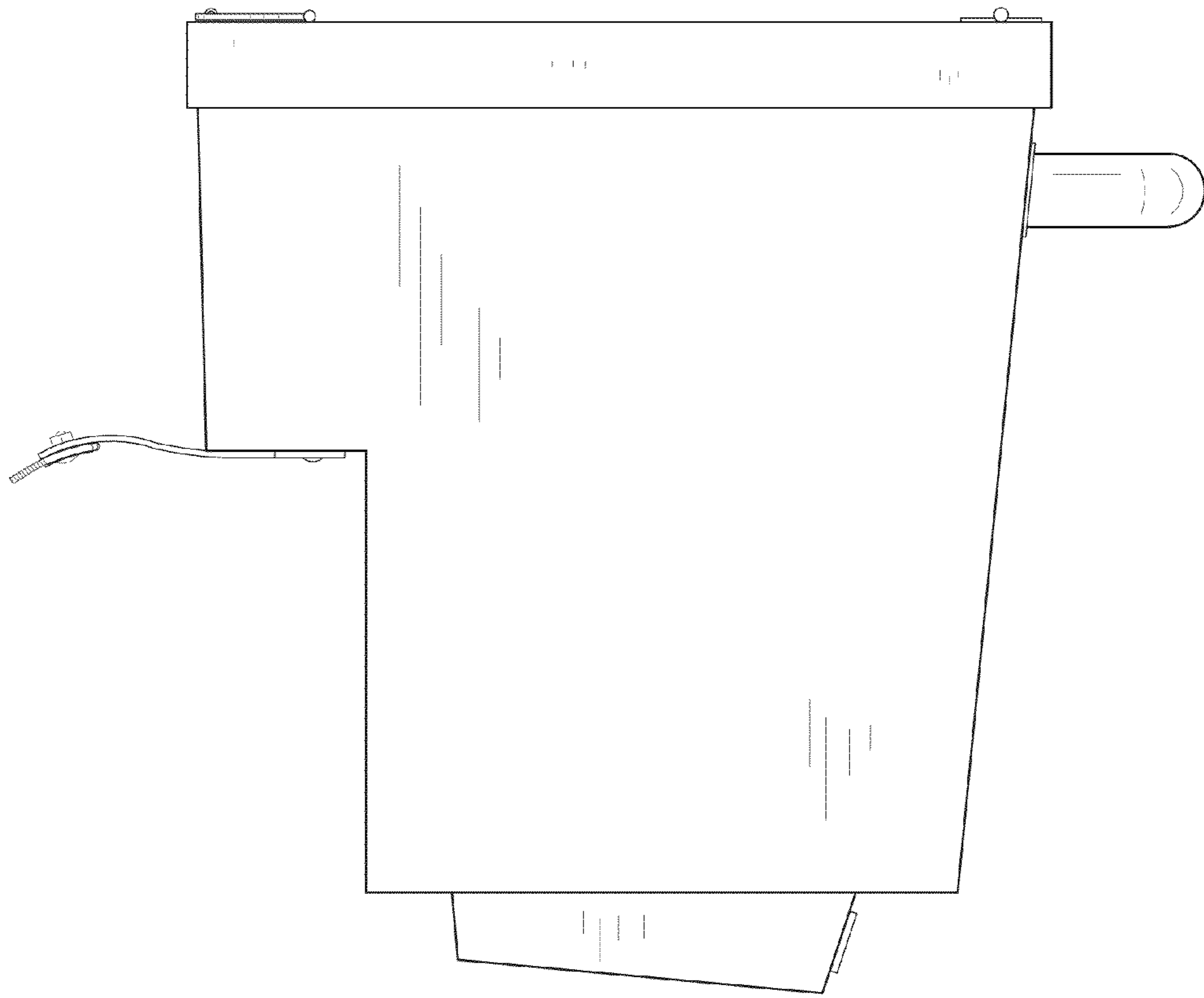


FIG. 4

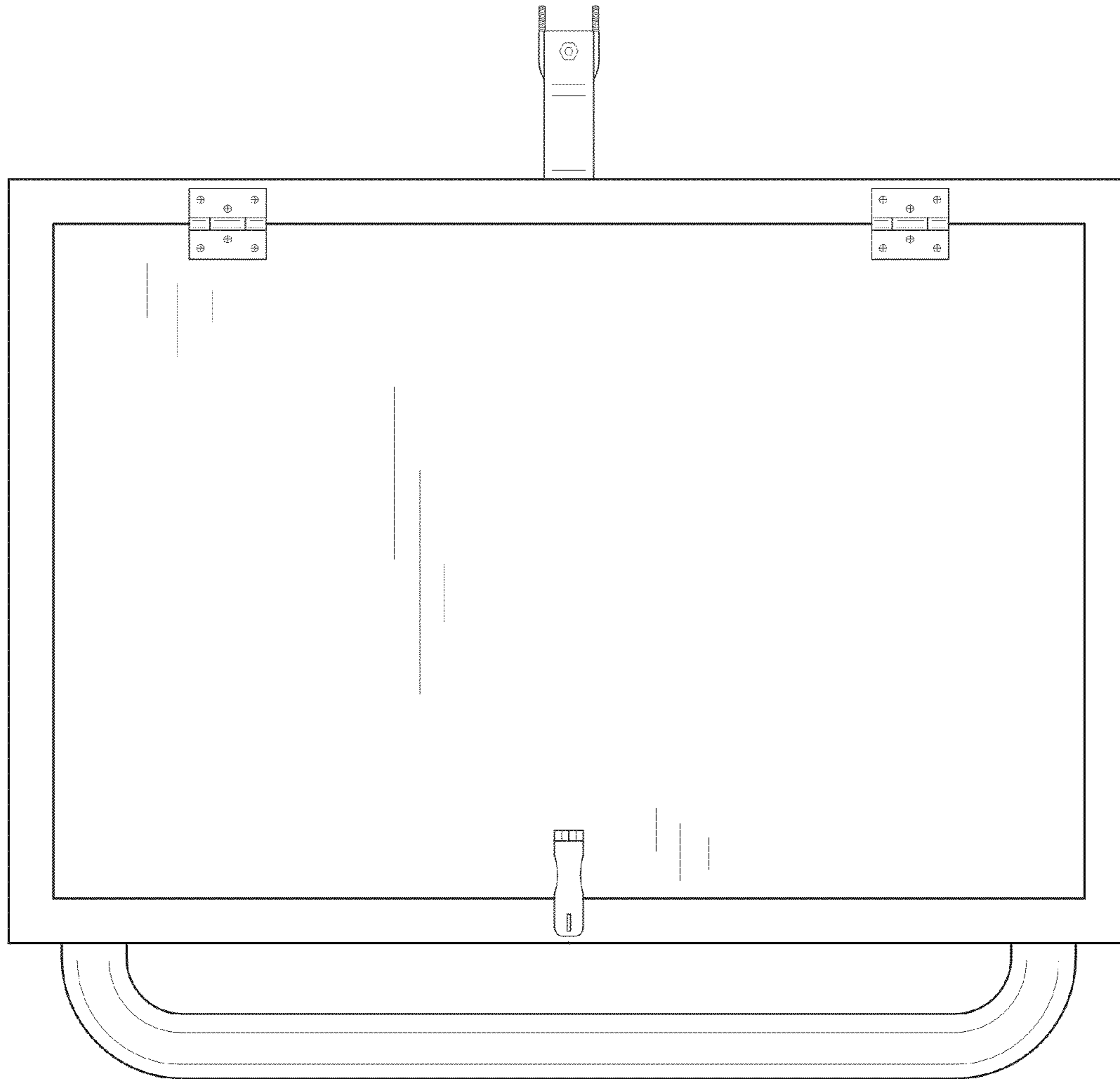


FIG. 5

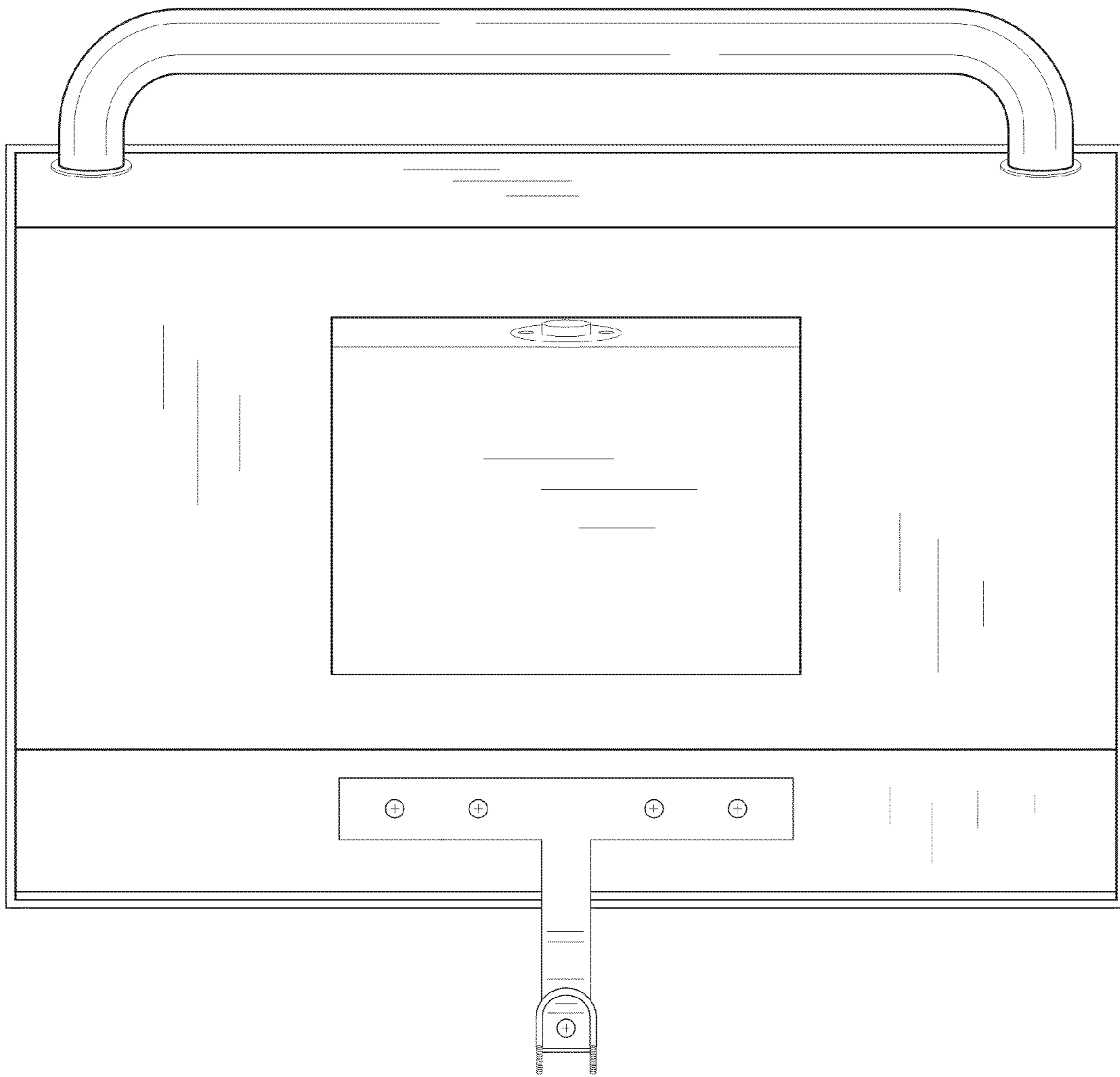


FIG. 6

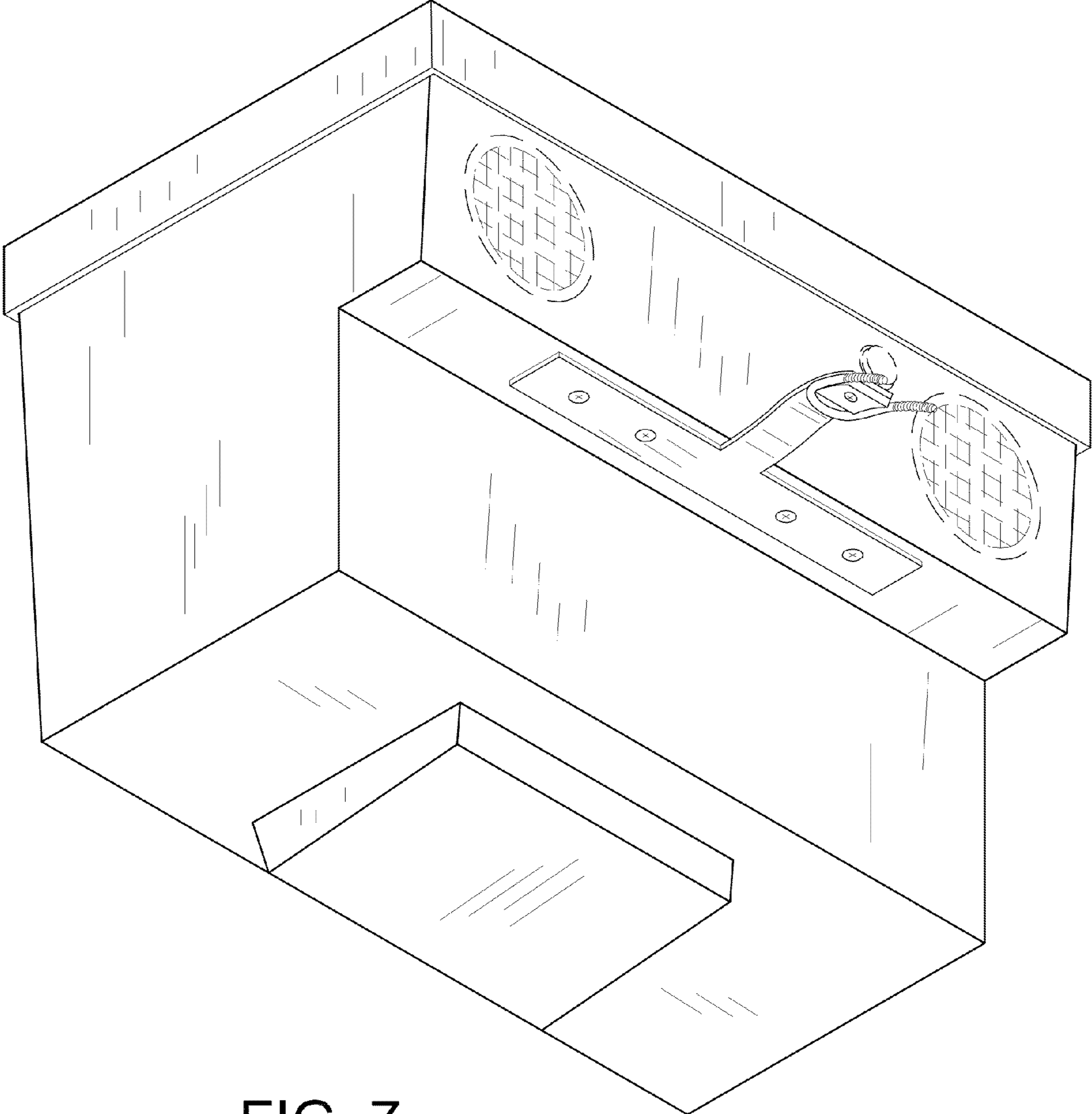


FIG. 7

FIG. 8

