



US00D703006S

(12) **United States Design Patent**
Hsu

(10) **Patent No.:** **US D703,006 S**
(45) **Date of Patent:** **** Apr. 22, 2014**

(54) **RACK FOR FOOD**

(71) Applicant: **Chien-Chi Hsu**, Taipei (TW)
(72) Inventor: **Chien-Chi Hsu**, Taipei (TW)
(73) Assignee: **Tessie Industrial Co., Ltd.**, Taipei (TW)
(**) Term: **14 Years**

(21) Appl. No.: **29/433,697**

(22) Filed: **Oct. 3, 2012**

(51) **LOC (10) Cl.** **07-06**

(52) **U.S. Cl.**
USPC **D7/600.4**

(58) **Field of Classification Search**

USPC D7/600.1-600.4, 590, 600, 602, 603,
D7/619.1, 701-708; D6/403, 405,
D6/512-517, 521, 525, 526, 527, 534, 537,
D6/539, 552, 557, 566, 570, 571, 572, 672,
D6/673, 674, 675, 675.1, 675.2, 675.3,
D6/677, 677.1, 676.5, 677.2, 675.5, 677.3,
D6/677.5, 678.4, 680, 680.2, 680.3, 681;
211/14, 59.2, 70.6, 70.7, 71.01, 74, 75,
211/77, 78, 85.26, 85.4, 85.5, 106, 126.7,
211/129.1, 131.1, 133.1, 133.2, 133.4,
211/133.5, 133.6; D9/739, 741, 744, 747;
220/23.83, 23.88; 221/92, 221, 223,
221/224, 225, 197, 283, 303, 305, 46

See application file for complete search history.

(56) **References Cited**

U.S. PATENT DOCUMENTS

1,448,259	A	*	3/1923	Cook	294/143
D165,303	S	*	11/1951	Rogers et al.	D7/706
2,946,456	A	*	7/1960	Liguori	211/77
D536,936	S	*	2/2007	Tiemann	D7/704
D609,057	S	*	2/2010	Hertaus	D7/600.2
D609,533	S	*	2/2010	Tiemann	D7/600.2
D620,280	S	*	7/2010	Snider	D6/464
D621,640	S	*	8/2010	Tiemann	D6/469

D623,875	S	*	9/2010	Snider	D6/469
D625,570	S	*	10/2010	Melocchi	D7/704
D626,382	S	*	11/2010	Tiemann	D7/600.2
D629,655	S	*	12/2010	Tiemann	D7/600.2
D634,137	S	*	3/2011	Chapman et al.	D6/458
D634,978	S	*	3/2011	Tiemann	D7/600.4
D636,643	S	*	4/2011	Tiemann	D7/702
D643,684	S	*	8/2011	Tiemann	D7/600.2
D648,600	S	*	11/2011	Tiemann	D7/600.2
D662,782	S	*	7/2012	Tiemann	D7/600.2
D664,401	S	*	7/2012	Tiemann	D7/600.4
D679,955	S	*	4/2013	Hsu	D7/600.4
D680,382	S	*	4/2013	Tiemann	D7/600.2
D680,383	S	*	4/2013	Tsai	D7/600.4
D680,385	S	*	4/2013	Hsu	D7/600.4
D688,529	S	*	8/2013	Tiemann	D7/600.2
2007/0045206	A1	*	3/2007	Tiemann	211/77

* cited by examiner

Primary Examiner — Ian Simmons

Assistant Examiner — Shannon Morgan

(74) *Attorney, Agent, or Firm* — Egbert Law Offices, PLLC

(57) **CLAIM**

The ornamental design for a rack for food, as shown and described.

DESCRIPTION

FIG. 1 is a top perspective view of the rack for food showing my design.

FIG. 2 is a front elevational view thereof;

FIG. 3 is rear elevational view thereof;

FIG. 4 is a right side elevational view thereof;

FIG. 5 is a left side elevational view thereof;

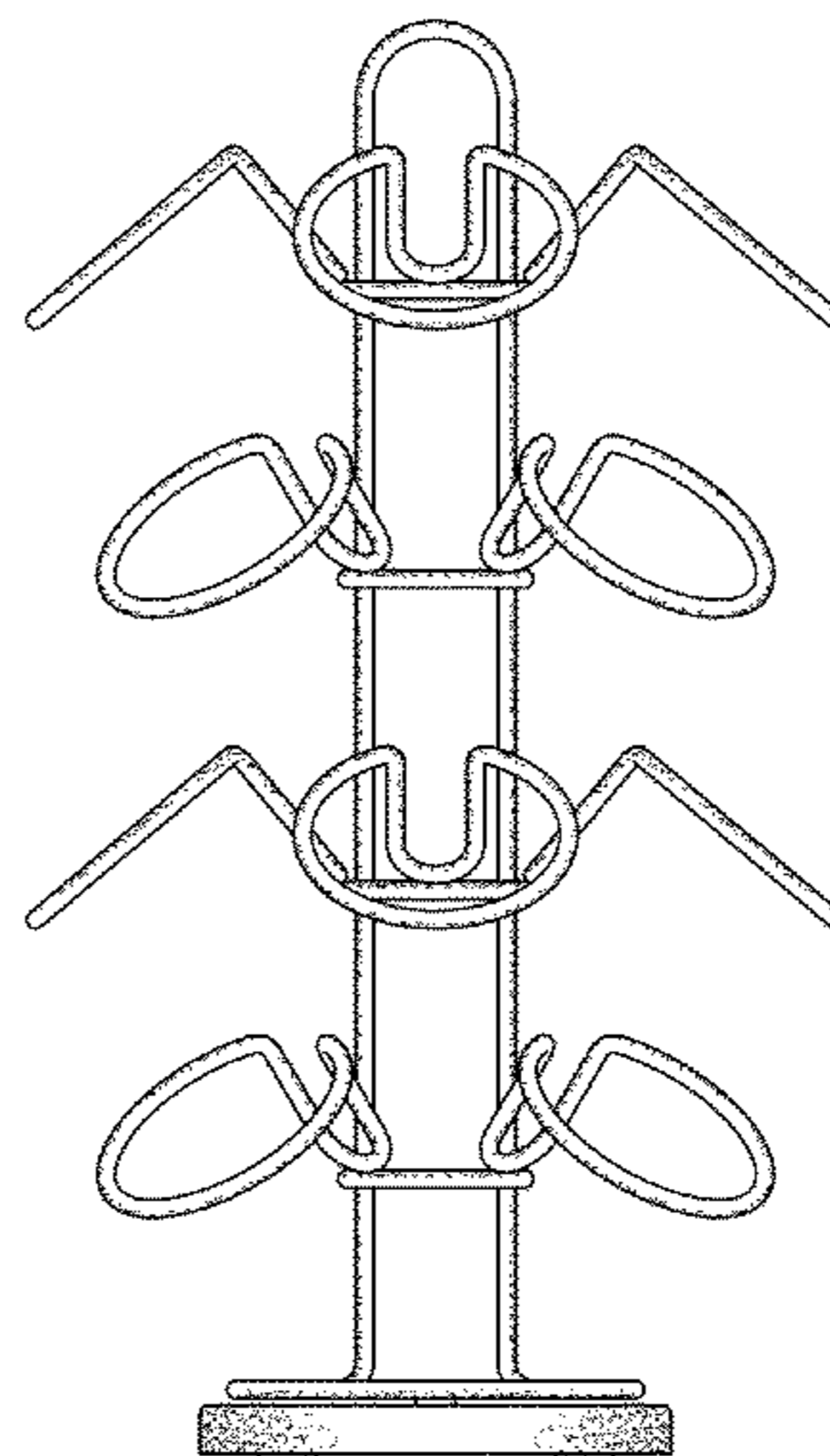
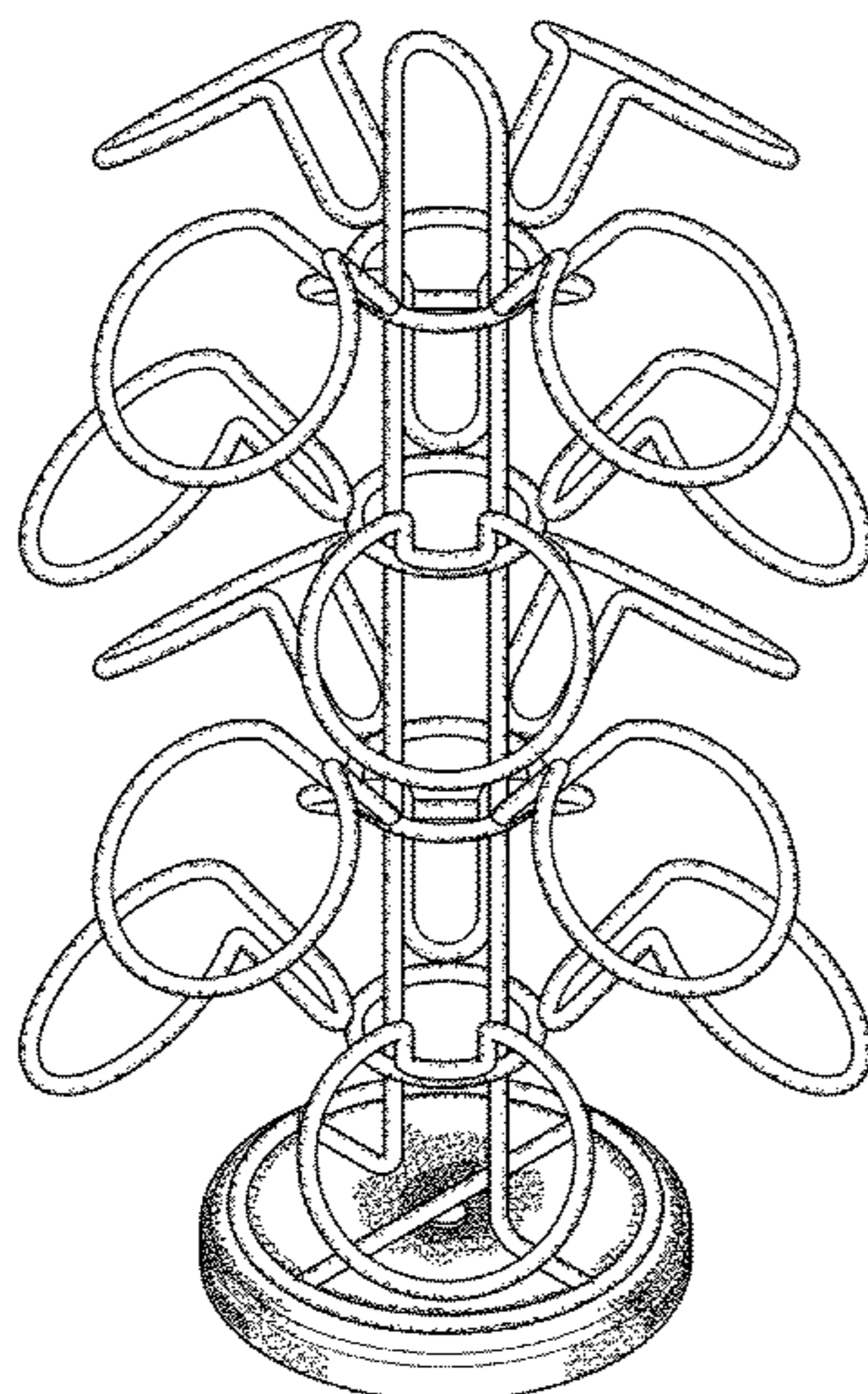
FIG. 6 is a top plan view thereof;

FIG. 7 is a bottom plan view thereof; and,

FIG. 8 is a top perspective view shown in use thereof.

The broken lines on the bottom surface and broken lines showing a cup in FIGS. 7 and 8 of the rack for food are for the purpose of illustrating environment, and form no part of the claimed design.

1 Claim, 8 Drawing Sheets



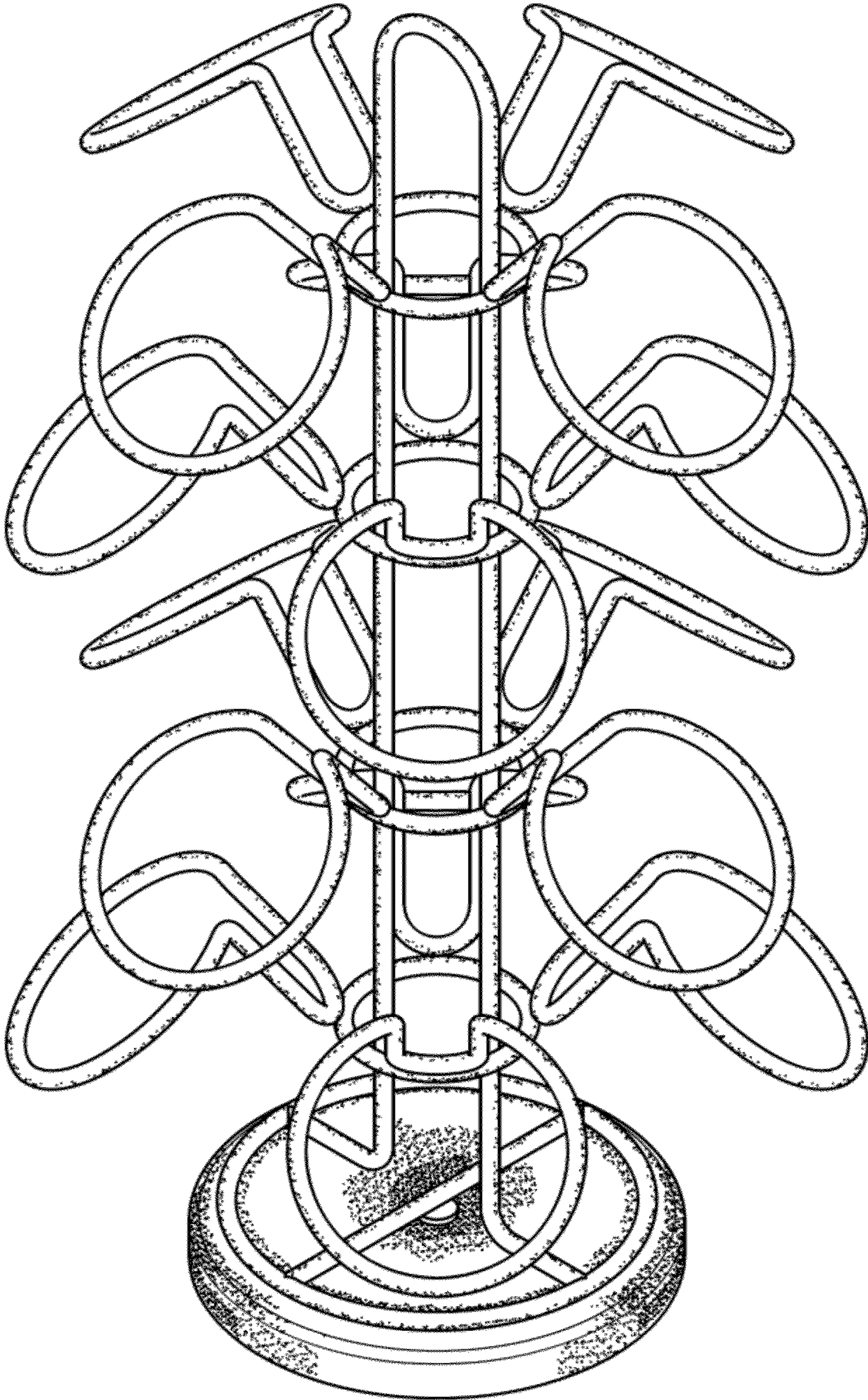


FIG. 1

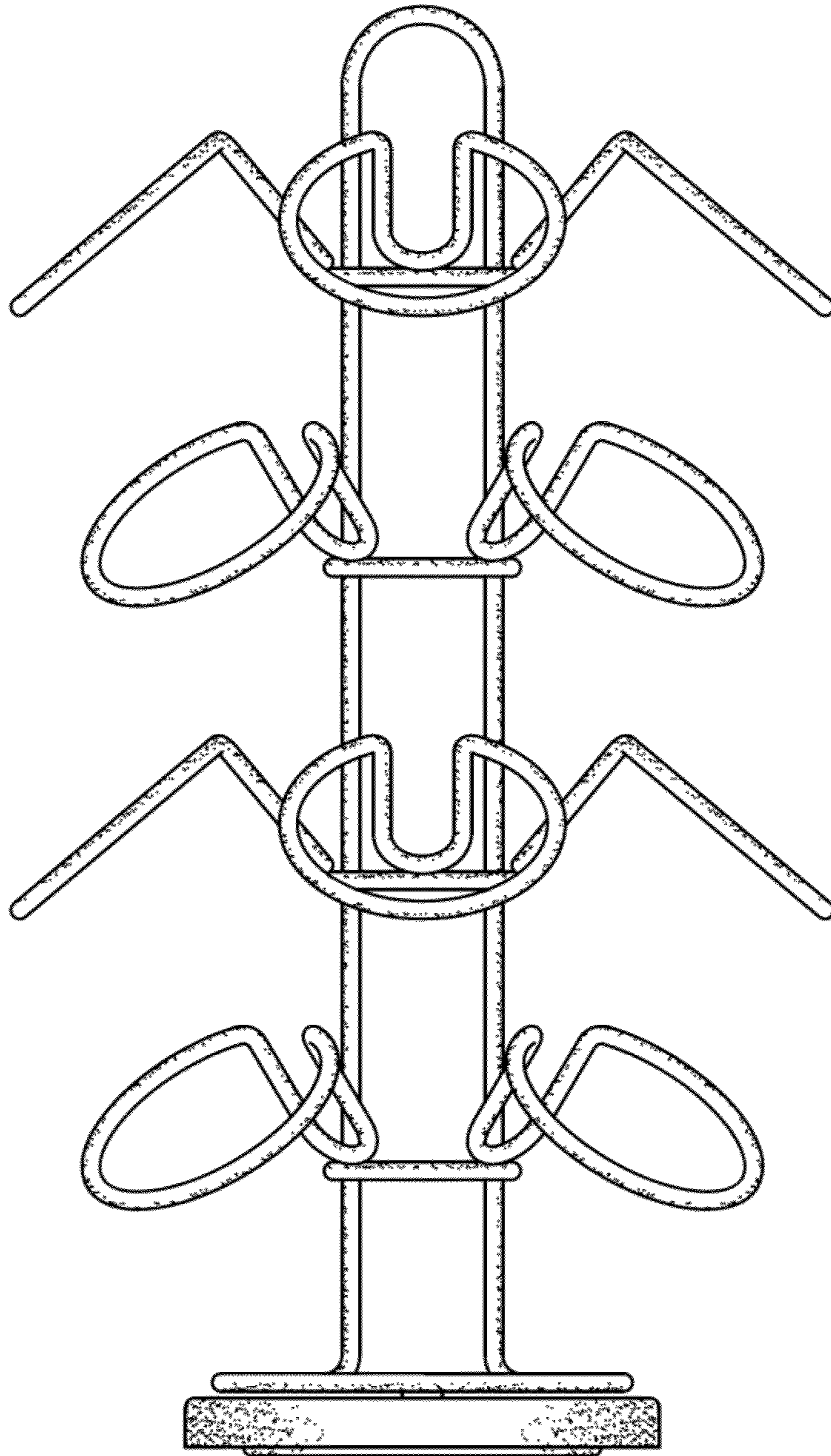


FIG. 2

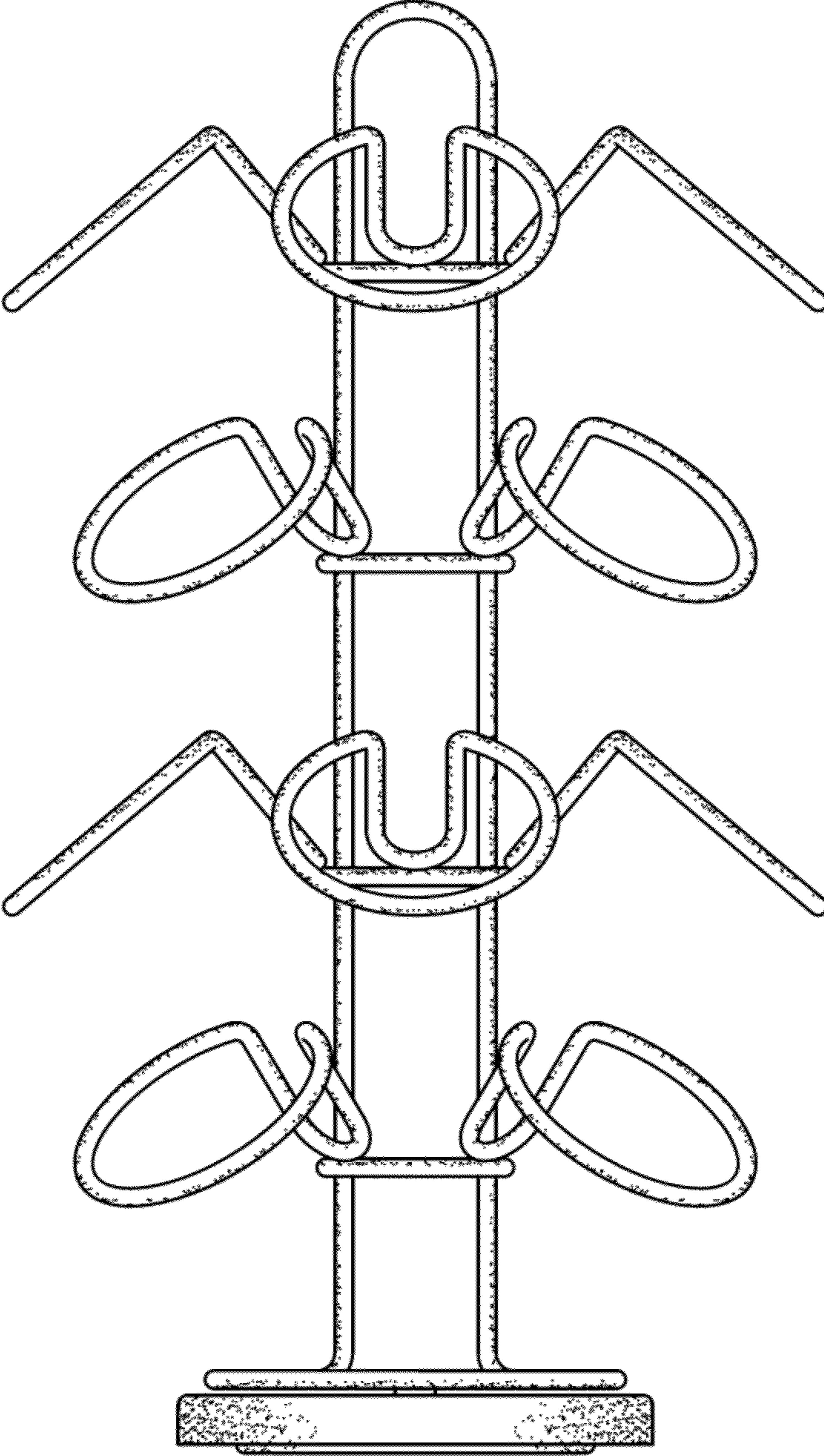


FIG. 3

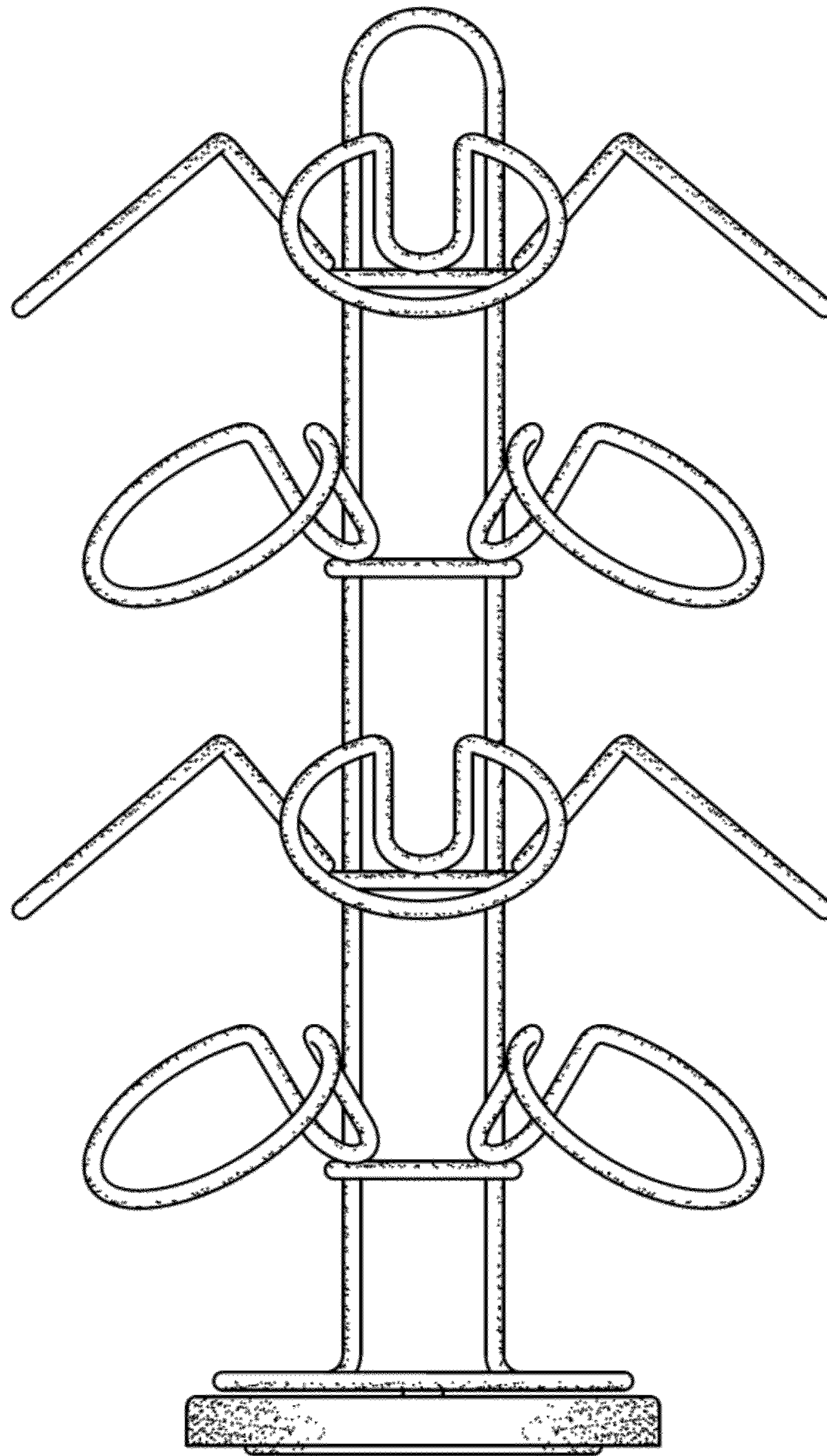


FIG. 4

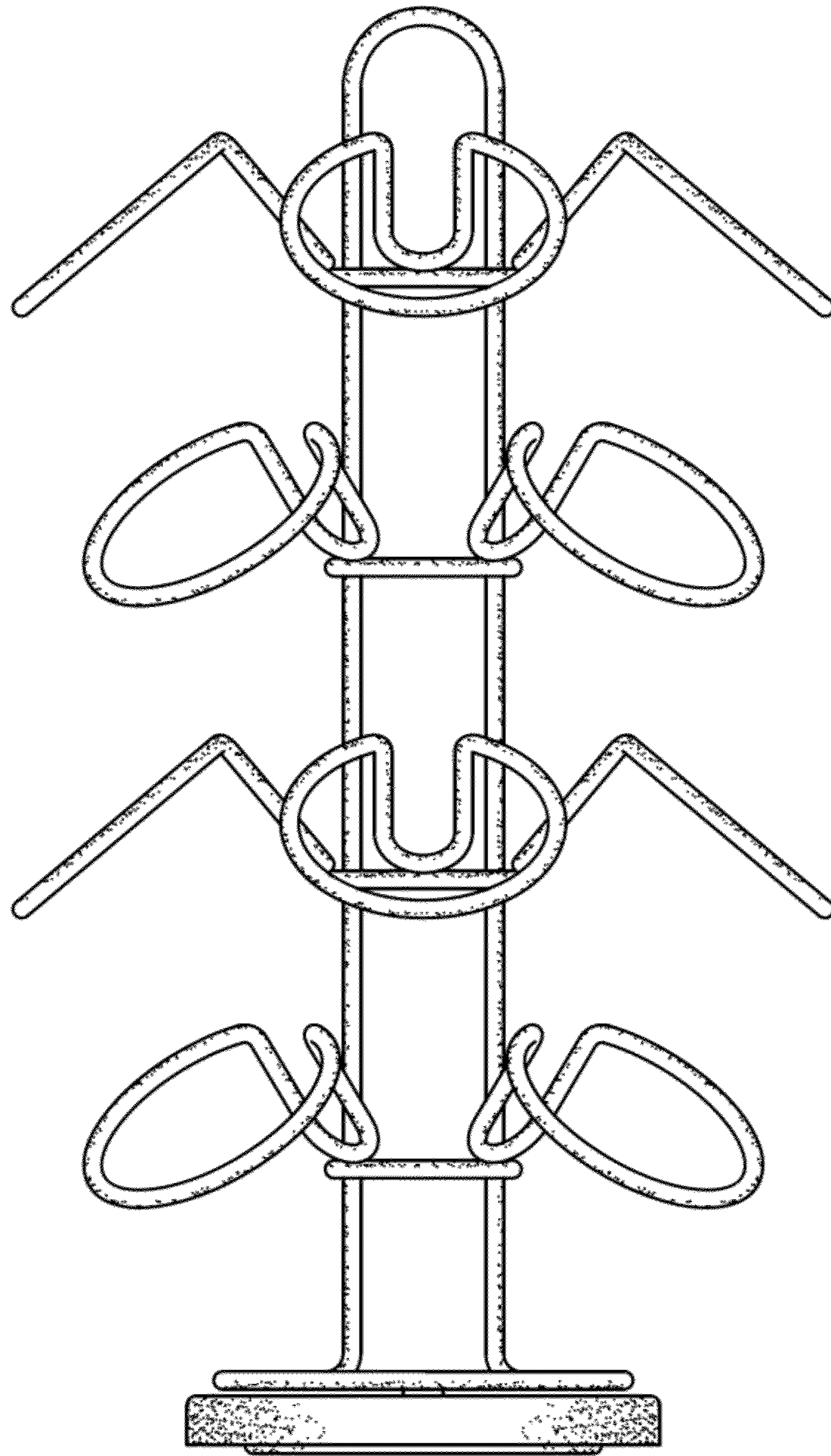


FIG. 5

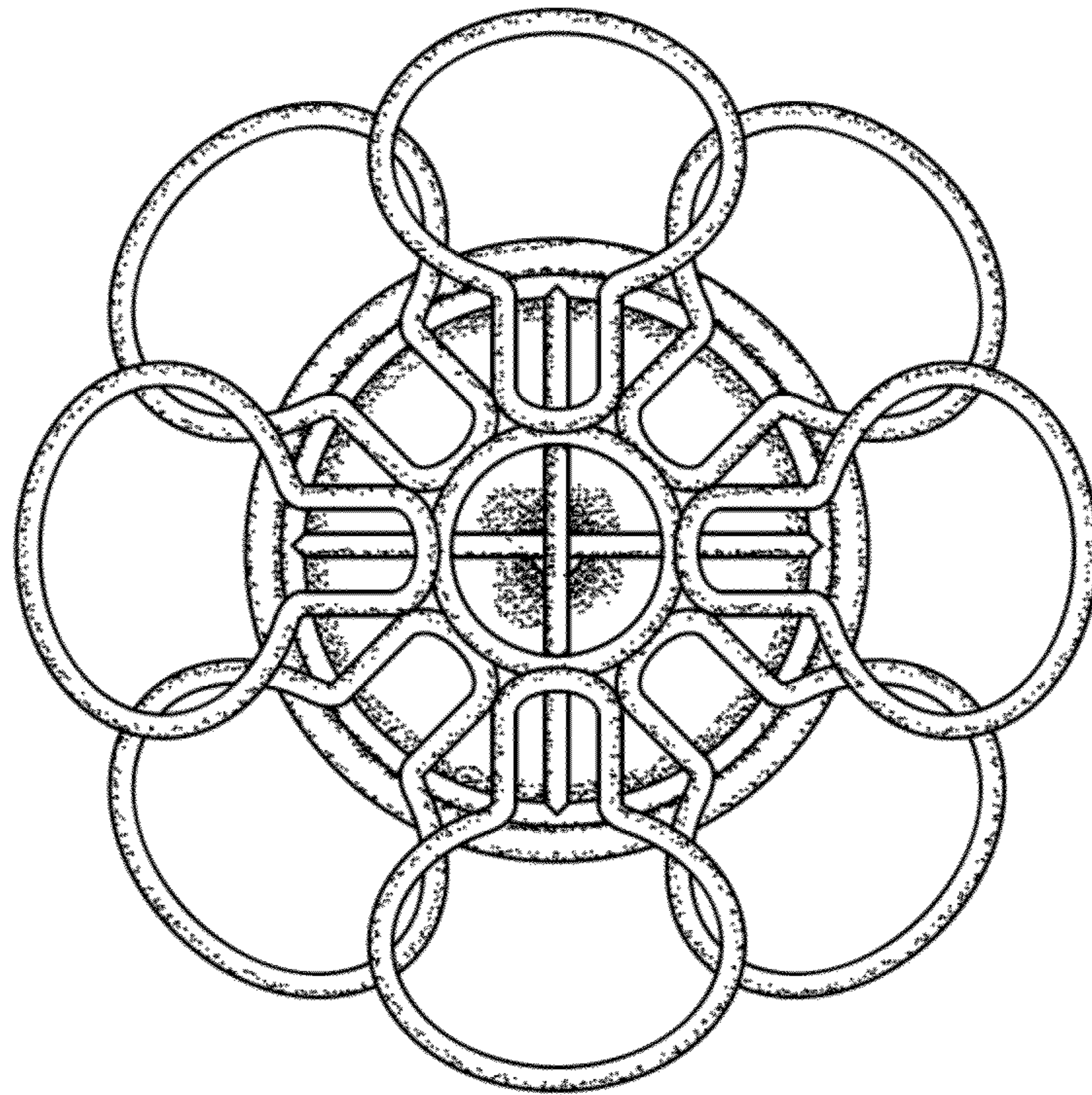


FIG. 6

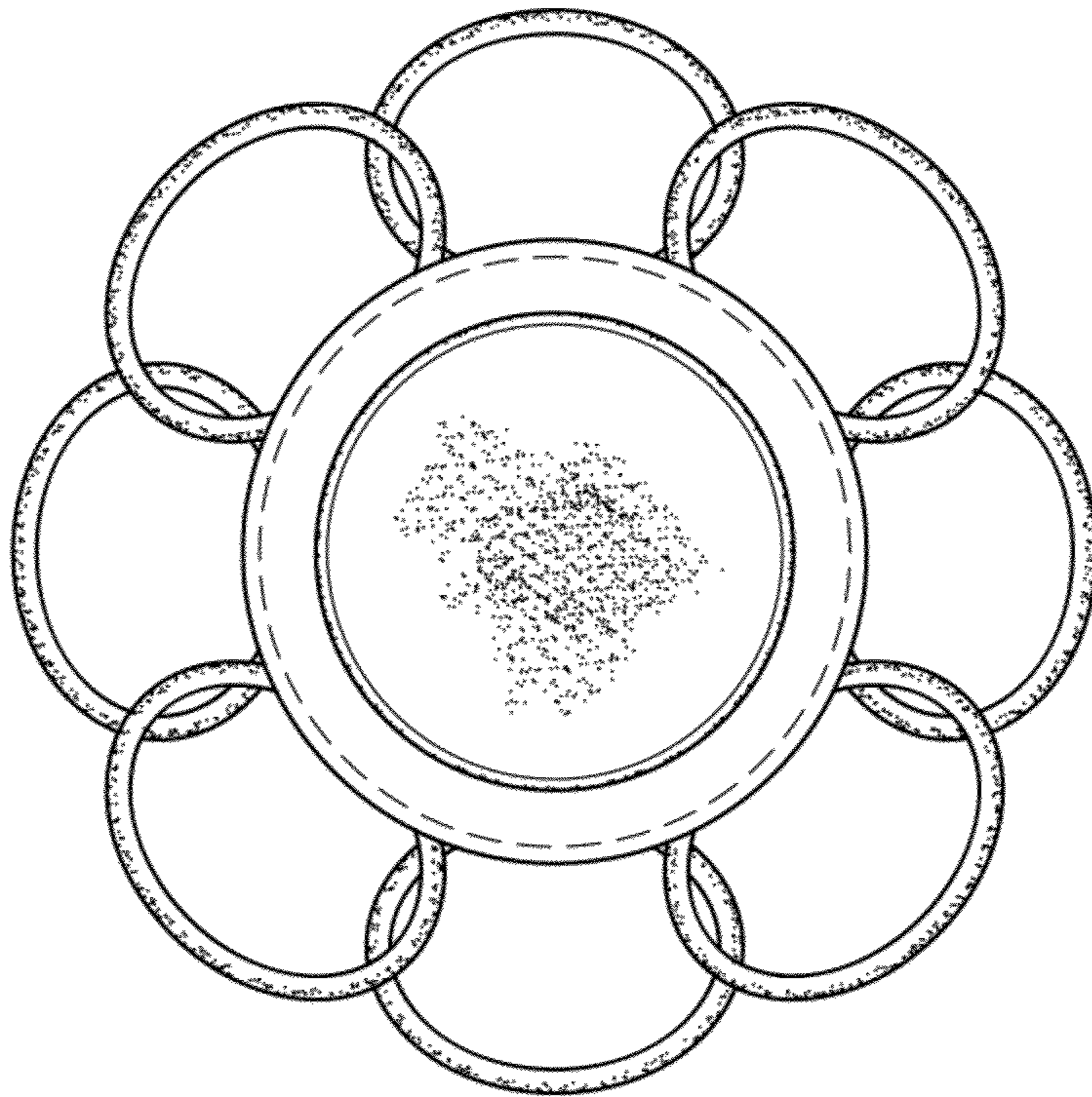


FIG. 7

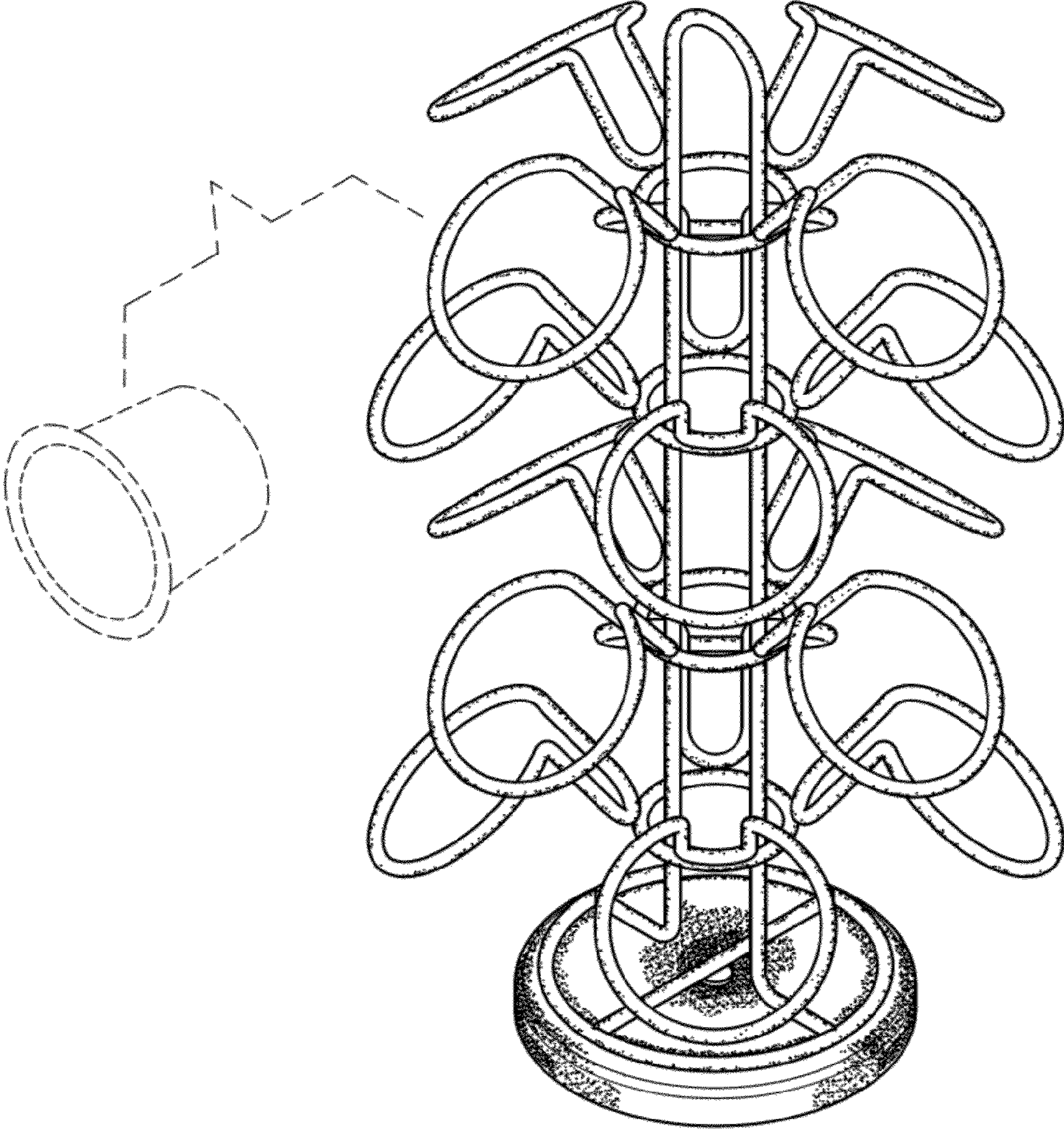


FIG. 8